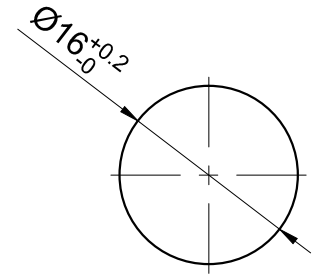
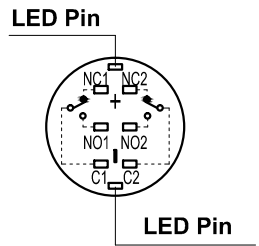
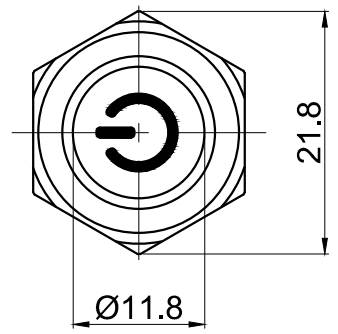
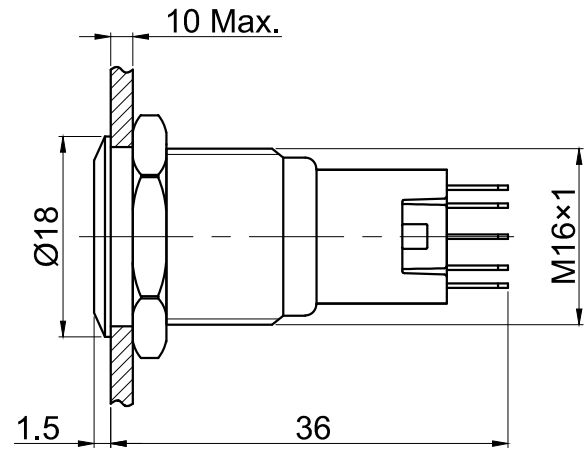
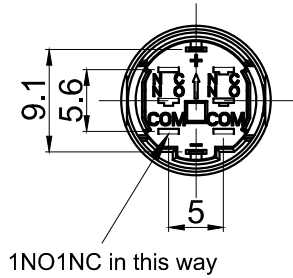
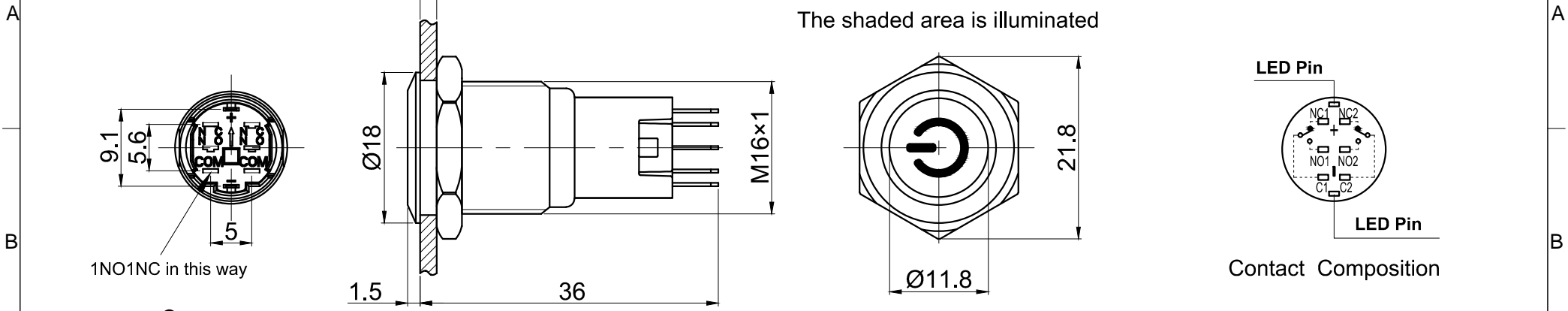
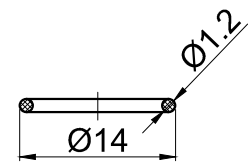


FOR 客户名称	APPROVED 客户确认签字	ATTN 销售负责人



PANEL CUTOUT  
MAX.PANEL THICKNESS  
10 mm



Seal Ring

Part Number: LAS2GQF-□■DT/△/▲/◎

□	Contact structure	△	Lamp Color	▲	Lamp Voltage	◎	Crust material
11	1NO1NC	R	Red	6V	AC/DC 6V	S	Stainless steel
22	2NO2NC	G	Green	12V	AC/DC 12V	A	Al alloy(black)
		Y	Yellow	24V	AC/DC 24V	N	Nickel Plated Brass
		B	Blue	110V	AC/DC 110V		
		W	White	220V	AC/DC 220V		
				Other voltage can be made to order			

- MATERIALS:**
- Contact: Silver alloy.
  - Button: ◎.
  - Body: ◎.
  - Base: PA.

**SPECIFICATIONS:**

- Switch Rating: AC220V/0.5A, DC110V/0.1A.
- Mechanical Life: ≥1,000,000cycles.
- Electrical Life: ≥50,000cycles.
- Contact Resistance: ≤50mΩ.
- Insulation Resistance: ≥1,000MΩ.
- Dielectric Strength: 1,500V, RMS 50Hz, 1min.
- Operating Temperature: -25°C~ +55°C(No Freezing).
- Operating Force: About 1.2~1.8N(1NO1NC), About 1.4~2N(2NO2NC).
- Operating Travel: About 2.3mm.
- Torque: About 0.6Nm max.applied to nut.
- Protection degree: IP40/IP65/IP67;IK09.
- Terminal Type: Pin Terminal(1.8 x 0.4mm), LED Pin(1.8 x 0.3mm).

BRAND 品牌 <b>ONPOW</b>	红波按钮制造有限公司 ONPOW PUSH BUTTON MANUFACTURE CO.,LTD.		
	USED 用途	APPD 审核	CH 2020/04/23
THESE DRAWINGS AND SPECIFICATIONS ARE THE PROPERTY OF ONPOW PUSH BUTTON MANUFACTURE CO.,LTD. AND SHALL NOT BE REPRODUCED COPIED OR USED IN ANY MANNER WITHOUT THE PRIOR WRITTEN CONSENT OF ONPOW PUSH BUTTON MANUFACTURE CO.,LTD.	FINISH 处理	CHKD 校对	NCH 2020/04/23
	SCALE 比例 1.5 : 1	UNIT 单位 mm	DR. 制图 ZPD 2020/04/23
DIMENSIONS	TOLERANCE	TITLE 名称	GQ Series Anti-vandal push button
0.00 TO 18.00mm	±0.43mm	DWG NO. 图号	
18.01 TO 30.00mm	±0.52mm	LAS2GQF-DT	SIZE 图纸 A4
30.01 TO 50.00mm	±0.62mm	FILE NAME 档案名称	SHEET 张 1 / 1
50.01 TO 80.00mm	±0.74mm	LAS2GQ-DT	

## X-ON Electronics

Largest Supplier of Electrical and Electronic Components

*Click to view similar products for [Pushbutton Switches](#) category:*

*Click to view products by [Onpow](#) manufacturer:*

Other Similar products are found below :

[8971K1133](#) [LW2L-M1C20M-A](#) [01-153.025](#) [M22-D-R-GB0/K11](#) [67021K512](#) [701PB580](#) [7199K101](#) [810K12910](#) [810KSV30B](#) [FLT 2U EE](#)  
[01A](#) [MML21EA2ADK](#) [MML21KA3ABK](#) [MML23KW3AA01W](#) [8418K2](#) [8442K3](#) [8450K1](#) [860K11911T01A](#) [861901](#) [861K11911T01A07](#)  
[861K13810T00A14](#) [861K13911](#) [8646AB6X718UL](#) [9533CD4+U574+U4922](#) [99-450.837](#) [99-453.837](#) [A2PMA1X03EC56](#) [A3A-7310](#) [A3A-](#)  
[7340](#) [12037A2ULCSA](#) [1203A2UL](#) [ABGW410-R](#) [1211390004](#) [ABN400-R](#) [121382](#) [1213C3](#) [HE3B-M2](#) [1211500044](#) [121194](#) [1212MRA](#)  
[1232A6NF](#) [121489](#) [1223A2ULCSA](#) [D5P-MT4](#) [13435AG](#) [13445AD29GX768](#) [AG23-L2](#) [AH165-2SGLG1TE3](#) [AH165-TGFY22](#) [AH165-](#)  
[TGL5Y11E3](#) [AH165-TGLR11AA3](#)