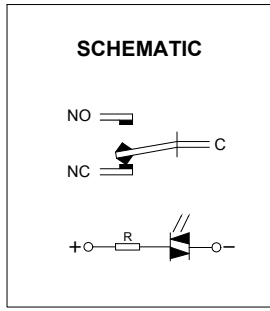
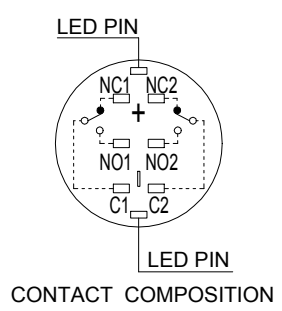
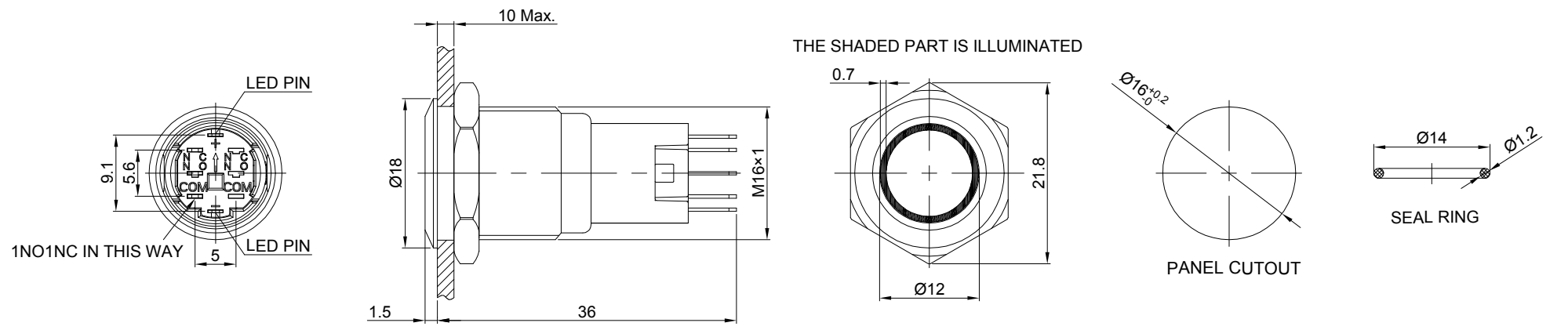


FOR 客户名称	APPROVED 客户确认签字	ATTN 销售负责人



SINGLE-BREAKPOINT QUICK-ACTING CONTACT SWITCHES WITH THREE TERMINALS

PART NUMBER: LAS2GQF-□■E/△/▲/◎/※

"□"	CONTACT STRUCTURE
11	1NO1NC
22	2NO2NC

"■"	OPERATION MODE
NO LETTER	MOMENTARY
Z	LATCHING

"△"	LAMP COLOR
R	RED
G	GREEN
Y	YELLOW
B	BLUE
W	WHITE

"▲"	LAMP VOLTAGE
6V	AC/DC 6V
12V	AC/DC 12V
24V	AC/DC 24V
110V	AC/DC 110V (EXTERNAL RESISTOR)
220V	AC/DC 220V (EXTERNAL RESISTOR)
OTHER VOLTAGE CAN BE MADE TO ORDER	

"◎"	CRUST MATERIAL
S	STAINLESS STEEL
A	AL ALLOY(BLACK)
N	NICKEL PLATED BRASS

"※"	PROTECTION DEGREE
NO LETTER	IP40
FP	IP67

**SPECIFICATIONS:**

- SWITCH RATING: Ui:220V, Ith:3A.
- MECHANICAL LIFE: ≥200,000 cycles.
- ELECTRICAL LIFE: ≥50,000 cycles.
- INITIAL CONTACT RESISTANCE: ≤50mΩ.
- INSULATION RESISTANCE: ≥100MΩ(500VDC).
- DIELECTRIC STRENGTH: 1,500V, RMS 50HZ, 1min.
- OPERATING TEMPERATURE: -25℃~ +55℃(NO FREEZING, KEEP THE AIR FLOWING AROUND PUSHBUTTON ).
- OPERATING FORCE:
  - MOMENTARY: 1.2~1.8N(1NO1NC), 1.4~2N(2NO2NC);
  - LATCHING: 2.3~2.8N(1NO1NC), 2.5~3N(2NO2NC).
- OPERATING TRAVEL: ABOUT 2.8mm.
- TORQUE: 0.6Nm Max. APPLIED TO NUT.
- FRONT PANEL PROTECTION DEGREE: IP40/IP67.
- TERMINAL TYPE: PIN TERMINAL(1.8X0.4mm), LED PIN(1.8X0.3mm).
- GENERAL TOLERANCE:0-18mm=±0.25, 18-80mm=±0.52.
- RoHS CAN BE CUSTOMIZED.

**MATERIALS:**

- CONTACT: SILVER ALLOY.
- BUTTON: ◎/POM.
- BODY: ◎.
- BASE: PA.

BRAND 品牌		<b>红波按钮制造有限公司</b>			
<b>ONPOW 欧宝龙®</b>		ONPOW PUSH BUTTON MANUFACTURE CO.,LTD.			
TITLE 名称	LAS2GQ SERIES ANTI-VANDAL PUSH BUTTON			UNIT 单位	mm
DWG NO. 图号	LAS2GQF-E	SCALE 比例	1.4 : 1	SIZE 图纸	A4
FILE NAME 档案名称	LAS2GQF带灯 .DWG	DRAWN 制图	YDY 2023/06/25	SHEET 张	1/1
		REV. 更改			1

## X-ON Electronics

Largest Supplier of Electrical and Electronic Components

*Click to view similar products for [Pushbutton Switches](#) category:*

*Click to view products by [Onpow](#) manufacturer:*

Other Similar products are found below :

[8971K1133](#) [LW2L-M1C20M-A](#) [01-153.025](#) [M22-D-R-GB0/K11](#) [67021K512](#) [701PB580](#) [7199K101](#) [810K12910](#) [810KSV30B](#) [FLT 2U EE](#)  
[01A](#) [MML21EA2ADK](#) [MML21KA3ABK](#) [MML23KW3AA01W](#) [8418K2](#) [8442K3](#) [8450K1](#) [860K11911T01A](#) [861901](#) [861K11911T01A07](#)  
[861K13810T00A14](#) [861K13911](#) [8646AB6X718UL](#) [9533CD4+U574+U4922](#) [99-450.837](#) [99-453.837](#) [A2PMA1X03EC56](#) [A3A-7310](#) [A3A-](#)  
[7340](#) [12037A2ULCSA](#) [1203A2UL](#) [ABGW410-R](#) [1211390004](#) [ABN400-R](#) [121382](#) [1213C3](#) [HE3B-M2](#) [1211500044](#) [121194](#) [1212MRA](#)  
[1232A6NF](#) [121489](#) [1223A2ULCSA](#) [D5P-MT4](#) [13435AG](#) [13445AD29GX768](#) [AG23-L2](#) [AH165-2SGLG1TE3](#) [AH165-TGFY22](#) [AH165-](#)  
[TGL5Y11E3](#) [AH165-TGLR11AA3](#)