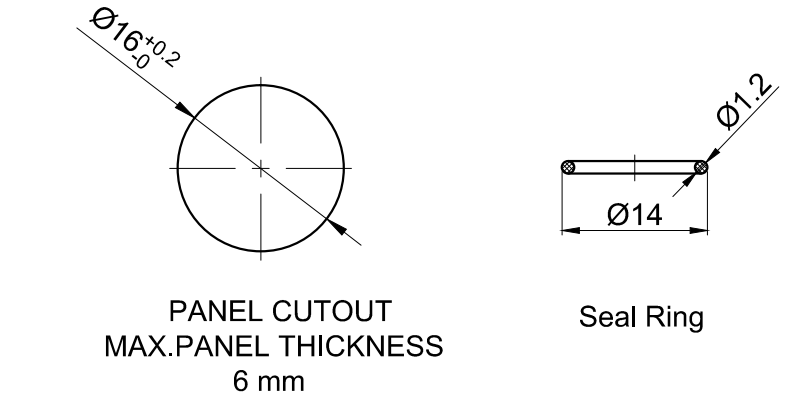
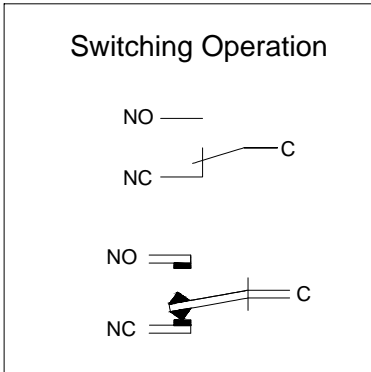
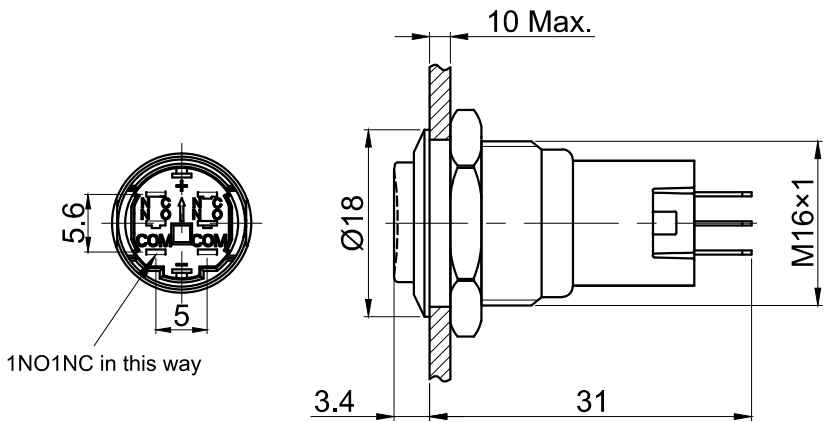


FOR 客户名称	APPROVED 客户确认签字	ATTN 销售负责人



Part Number: LAS2GQG-□■/◎/☆

□	Contact structure	■	Operation mode	◎	Crust Material	☆	IP Class
11	1NO 1NC	No Letter	Momentary	N	Nickel Plated Brass	No Letter	IP40
22	2NO 2NC	Z	Latching	S	Stainless Steel	FP	IP67
				A	Brass(Black)		

SPECIFICATIONS:

- 1.Switch Rating: AC220V/0.5A, DC110V/0.1A.
- 2.Mechanical Life: ≥1,000,000cycles.
- 3.Electrical Life: ≥50,000cycles.
- 4.Contact Resistance: ≤50mΩ.
- 5.Insulation Resistance: ≥1,000MΩ.
- 6.Dielectric Strength: 1,500V, RMS 50Hz, 1min.
- 7.Operating Temperature: -25℃~ +55℃(No Freezing).
- 8.Operating Force: About 1.2~1.8N(1NO1NC), About 1.4~2N(2NO2NC).
- 9.Operating Travel: About 2.3mm.
- 10.Torque: About 0.6Nm max.applied to nut.
- 11.Protection degree: IP40,IP67;IK08.
- 12.Terminal Type: Pin Terminal(1.8 x 0.4mm).

MATERIALS:

- 1.Contact: Silver alloy.
- 2.Button: ◎.
- 3.Body: ◎.
- 4.Base: PA.

BRAND 品牌 ONPOW THESE DRAWINGS AND SPECIFICATIONS ARE THE PROPERTY OF ONPOW PUSH BUTTON MANUFACTURE CO.,LTD. AND SHALL NOT BE REPRODUCED COPIED OR USED IN ANY MANNER WITHOUT THE PRIOR WRITTEN CONSENT OF ONPOW PUSH BUTTON MANUFACTURE CO.,LTD.	红波按钮制造有限公司 ONPOW PUSH BUTTON MANUFACTURE CO.,LTD.	
	用途 APPD 审核 CH 2020/04/22	处理 CHKD 校对 NCH 2020/04/22
	比例 1.2 : 1 单位 mm DR. 制图 ZPD 2020/04/22	TITLE 名称 GQ Series Anti-vandal push button DWG NO. 图号 LAS2GQG FILE NAME 档案名称 LAS2GQG.DWG
	DIMENSIONS TOLERANCE 0.00 TO 18.00mm ±0.43mm 18.01 TO 30.00mm ±0.52mm 30.01 TO 50.00mm ±0.62mm 50.01 TO 80.00mm ±0.74mm	SIZE 图纸 A4 SHEET 张 1 / 1 REV. 更改 1

X-ON Electronics

Largest Supplier of Electrical and Electronic Components

Click to view similar products for [Pushbutton Switches](#) category:

Click to view products by [Onpow](#) manufacturer:

Other Similar products are found below :

[8971K1133](#) [LW2L-M1C20M-A](#) [01-153.025](#) [M22-D-R-GB0/K11](#) [67021K512](#) [701PB580](#) [7199K101](#) [810K12910](#) [810KSV30B](#) [FLT 2U EE](#)
[01A](#) [MML21EA2ADK](#) [MML21KA3ABK](#) [MML23KW3AA01W](#) [8418K2](#) [8442K3](#) [8450K1](#) [860K11911T01A](#) [861901](#) [861K11911T01A07](#)
[861K13810T00A14](#) [861K13911](#) [8646AB6X718UL](#) [9533CD4+U574+U4922](#) [99-450.837](#) [99-453.837](#) [A2PMA1X03EC56](#) [A3A-7310](#) [A3A-](#)
[7340](#) [12037A2ULCSA](#) [1203A2UL](#) [ABGW410-R](#) [1211390004](#) [ABN400-R](#) [121382](#) [1213C3](#) [HE3B-M2](#) [1211500044](#) [121194](#) [1212MRA](#)
[1232A6NF](#) [121489](#) [1223A2ULCSA](#) [D5P-MT4](#) [13435AG](#) [13445AD29GX768](#) [AG23-L2](#) [AH165-2SGLG1TE3](#) [AH165-TGFY22](#) [AH165-](#)
[TGL5Y11E3](#) [AH165-TGLR11AA3](#)