

1

2

3

4

5

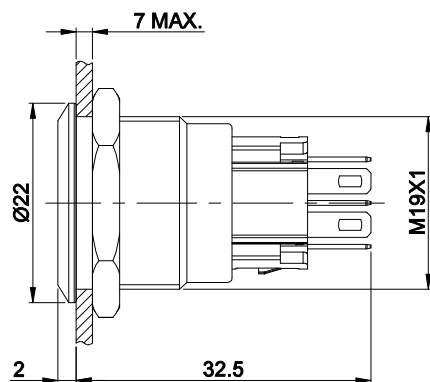
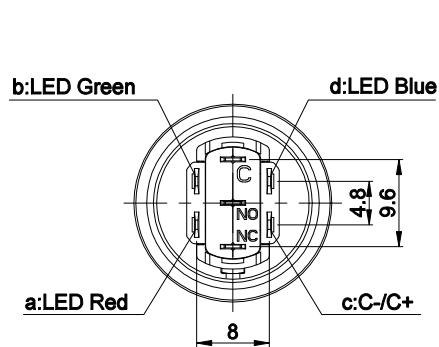
6

7

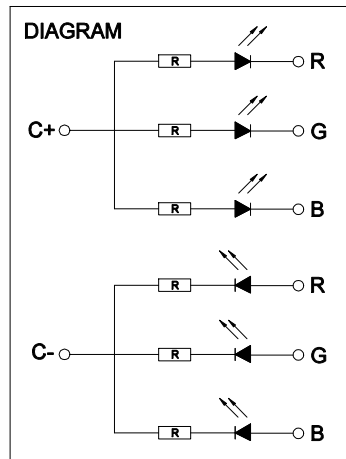
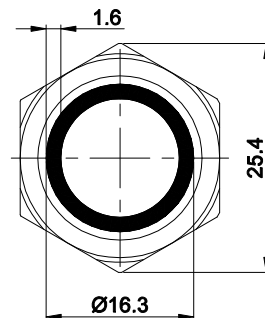
FOR  
客户名称APPROVED  
客户确认签字ATTN  
销售负责人

A

A

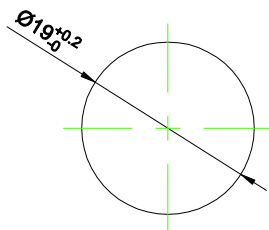


THE SHADED PART IS ILLUMINATED

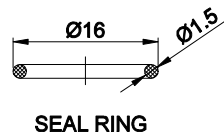


B

B



PANEL CUTOUT



SEAL RING

PART NUMBER: ONPOW6119F-11 ■E/△RGB/▲S/◎

"■"	OPERATION MODE	"△"	LED COMMON PIN	"▲"	LAMP VOLTAGE	"◎"	IP CLASS
NO LETTER	MOMENTARY	41	COMMON PIN IN CATHODE(C-)	6V	DC 6V	NO LETTER	IP40
Z	LATCHING	42	COMMON PIN IN ANODE(C+)	12V	DC 12V	P	IP65
				24V	DC 24V		
				OTHER VOLTAGE CAN BE MADE TO ORDER			

D

D

## SPECIFICATIONS:

- SWITCH RATING: AC220V/0.5A.
- MECHANICAL LIFE: ≥1,000,000 cycles.
- ELECTRICAL LIFE: ≥50,000 cycles.
- CONTACT RESISTANCE: ≤50mΩ.
- INSULATION RESISTANCE: ≥100MΩ(500VDC).
- DIELECTRIC STRENGTH: 1,500V, RMS 50HZ, 1min.
- OPERATING TEMPERATURE: -25°C ~ +55°C (NO FREEZING).
- OPERATING FORCE: ABOUT 2.5N.
- OPERATING TRAVEL: ABOUT 3mm.
- TORQUE: ABOUT 0.6Nm MAX. APPLIED TO NUT.
- IP CLASS: IP40 (IP65 CAN BE MADE TO ORDER), IK07.
- TERMINAL TYPE: PIN TERMINAL (2.8 X 0.5mm).
- GENERAL TOLERANCE: 0-18mm=±0.25, 18-80mm=±0.52.

## MATERIALS:

- CONTACT: SILVER ALLOY.
- BUTTON: STAINLESS STEEL.
- BODY: STAINLESS STEEL.
- BASE: PA.

E

E

BRAND 品牌		红波按钮制造有限公司			
ONPOW 欧宝龙®		ONPOW PUSH BUTTON MANUFACTURE CO.,LTD.			
TITLE 名称	ONPOW61 SERIES ANTI-VANDAL INDICATOR		UNIT 单位	mm	
DWG NO. 图号	ONPOW6119-E-RGB	SCALE 比例	1.2 : 1	SIZE 图纸	A4
FILE NAME 档案名称	ONPOW6119-E.DWG	DRAWN 制图	YDY 2022/03/04	SHEET 张	1/1
		REV. 更改			1

1

2

3

4

5

6

7

## X-ON Electronics

Largest Supplier of Electrical and Electronic Components

*Click to view similar products for [Pushbutton Switches](#) category:*

*Click to view products by [Onpow](#) manufacturer:*

Other Similar products are found below :

[8971K1133](#) [LW2L-M1C20M-A](#) [01-153.025](#) [M22-D-R-GB0/K11](#) [67021K512](#) [701PB580](#) [7199K101](#) [810K12910](#) [810KSV30B](#) [FLT 2U EE](#)  
[01A](#) [MML21EA2ADK](#) [MML21KA3ABK](#) [MML23KW3AA01W](#) [8418K2](#) [8442K3](#) [8450K1](#) [860K11911T01A](#) [861901](#) [861K11911T01A07](#)  
[861K13810T00A14](#) [861K13911](#) [8646AB6X718UL](#) [9533CD4+U574+U4922](#) [99-450.837](#) [99-453.837](#) [A2PMA1X03EC56](#) [A3A-7310](#) [A3A-](#)  
[7340](#) [12037A2ULCSA](#) [1203A2UL](#) [ABGW410-R](#) [1211390004](#) [ABN400-R](#) [121382](#) [1213C3](#) [HE3B-M2](#) [1211500044](#) [121194](#) [1212MRA](#)  
[1232A6NF](#) [121489](#) [1223A2ULCSA](#) [D5P-MT4](#) [13435AG](#) [13445AD29GX768](#) [AG23-L2](#) [AH165-2SGLG1TE3](#) [AH165-TGFY22](#) [AH165-](#)  
[TGL5Y11E3](#) [AH165-TGLR11AA3](#)