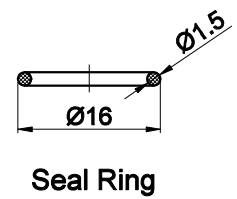
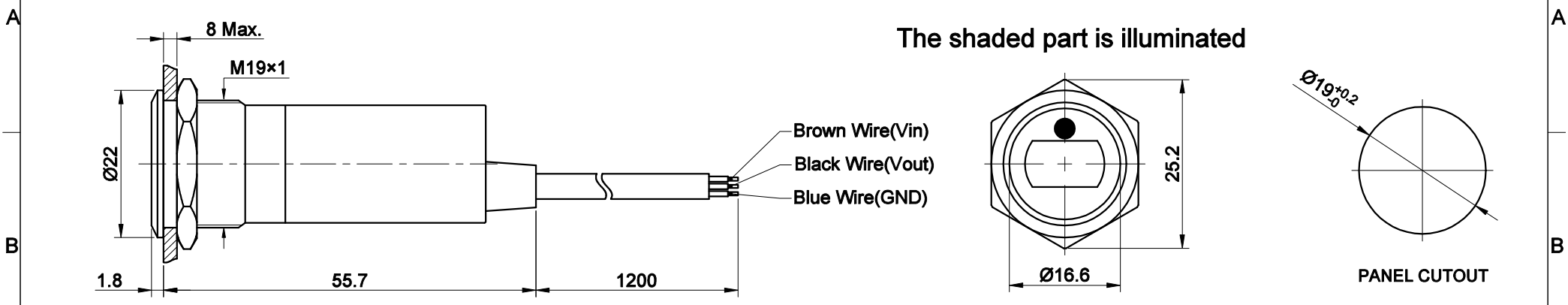


FOR 客户名称	APPROVED 客户确认签字	ATTN 销售负责人



The shaded part is illuminated

Part Number: ONPOW91-19D □ YSS △ ▲

"□"	Electrical Function
10B	NO Momentary (Low Level)
Other function can be made to order	

"△"			
1 LED		2 LED	
NR	Non-illum./Red	RG	Red/Green
NG	Non-illum./Green	GR	Green/Red
Other LED can be made to order			

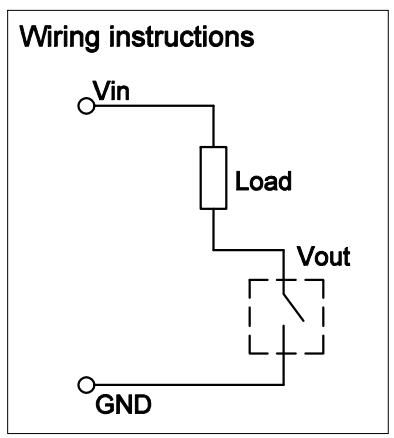
"▲" Lamp Voltage	
6V	DC 6V
12V	DC 12V
24V	DC 24V

SPECIFICATIONS:

1. Switch Rating: DC6~24V/300mA.
2. Life: ≥1,000,000cycles.
3. Reaction Distance: 2~15cm.
4. Operation mode: NO Momentary.
5. Insulation Resistance: ≥1,000MΩ.
6. Dielectric Strength: 1,500V, RMS 50Hz, 1min.
7. Operating Temperature: -15°C ~ +55°C (No Freezing).
8. Torque: About 0.8Nm max. applied to nut.
9. Protection degree: IP65.
10. Terminal Type: Sheltered cable.

MATERIALS:

1. Head: PMMA.
2. Body: Stainless Steel.



BRAND 品牌	ONPOW	红波按钮制造有限公司 ONPOW PUSH BUTTON MANUFACTURE CO.,LTD.					
THESE DRAWINGS AND SPECIFICATIONS ARE THE PROPERTY OF ONPOW PUSH BUTTON MANUFACTURE CO.,LTD. AND SHALL NOT BE REPRODUCED COPIED OR USED IN ANY MANNER WITHOUT THE PRIOR WRITTEN CONSENT OF ONPOW PUSH BUTTON MANUFACTURE CO.,LTD.		USED 用途	APPD 审核	CH 2020/06/17			
		FINISH 处理	CHKD 校对	NCH 2020/06/17			
		SCALE 比例	1.2 : 1	UNIT 单位	mm	DR. 制图	ZPD 2020/06/17
		TITLE 名称		Contactless sensor switch			
DIMENSIONS		TOLERANCE		SIZE 图纸			
0.00 TO 18.00mm		±0.43mm		A4			
18.01 TO 30.00mm		±0.52mm					
30.01 TO 50.00mm		±0.62mm					
50.01 TO 80.00mm		±0.74mm		DWG NO. 图号			
FILE NAME 档案名称		ONPOW91-19D.DWG	SHEET 张	1 / 1	REV. 更改	1	

X-ON Electronics

Largest Supplier of Electrical and Electronic Components

Click to view similar products for [Pushbutton Switches](#) category:

Click to view products by [Onpow](#) manufacturer:

Other Similar products are found below :

[8971K1133](#) [LW2L-M1C20M-A](#) [01-153.025](#) [M22-D-R-GB0/K11](#) [67021K512](#) [701PB580](#) [7199K101](#) [810K12910](#) [810KSV30B](#) [FLT 2U EE](#)
[01A](#) [MML21EA2ADK](#) [MML21KA3ABK](#) [MML23KW3AA01W](#) [8418K2](#) [8442K3](#) [8450K1](#) [860K11911T01A](#) [861901](#) [861K11911T01A07](#)
[861K13810T00A14](#) [861K13911](#) [8646AB6X718UL](#) [9533CD4+U574+U4922](#) [99-450.837](#) [99-453.837](#) [A2PMA1X03EC56](#) [A3A-7310](#) [A3A-](#)
[7340](#) [12037A2ULCSA](#) [1203A2UL](#) [ABGW410-R](#) [1211390004](#) [ABN400-R](#) [121382](#) [1213C3](#) [HE3B-M2](#) [1211500044](#) [121194](#) [1212MRA](#)
[1232A6NF](#) [121489](#) [1223A2ULCSA](#) [D5P-MT4](#) [13435AG](#) [13445AD29GX768](#) [AG23-L2](#) [AH165-2SGLG1TE3](#) [AH165-TGFY22](#) [AH165-](#)
[TGL5Y11E3](#) [AH165-TGLR11AA3](#)