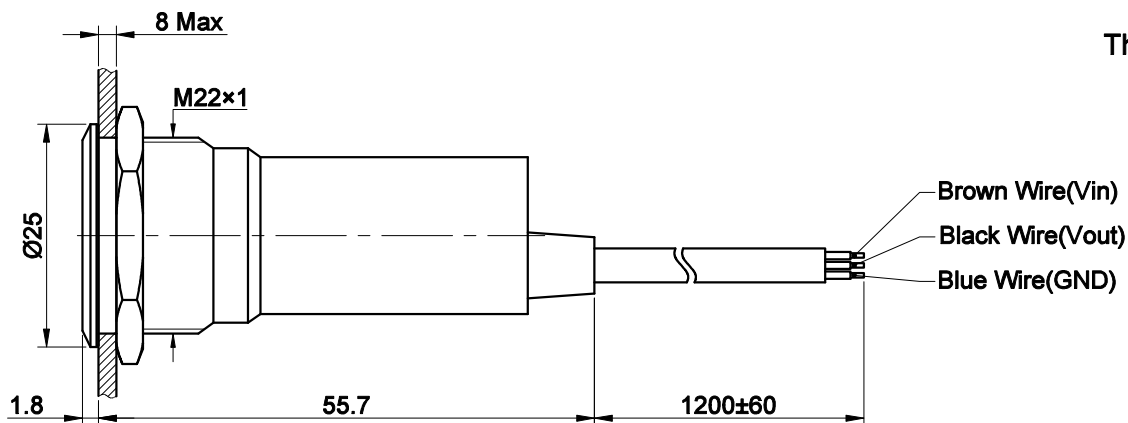
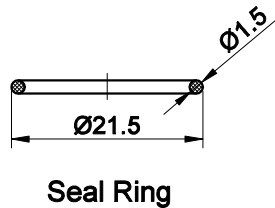
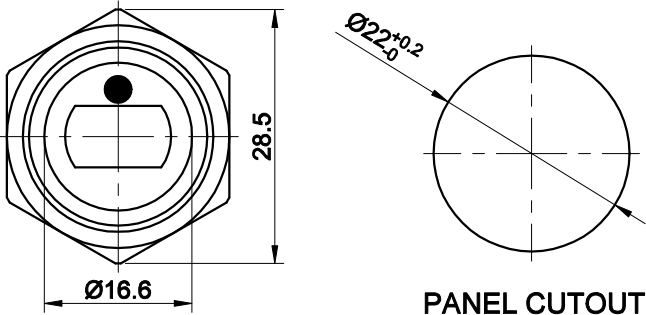


|             |                    |               |
|-------------|--------------------|---------------|
| FOR<br>客户名称 | APPROVED<br>客户确认签字 | ATTN<br>销售负责人 |
|             |                    |               |



The shaded part is illuminated



| "□"                                 | Electrical Function     |
|-------------------------------------|-------------------------|
| 10B                                 | NO Momentary(Low Level) |
| Other function can be made to order |                         |

Part Number: ONPOW91-22D□YSS△▲

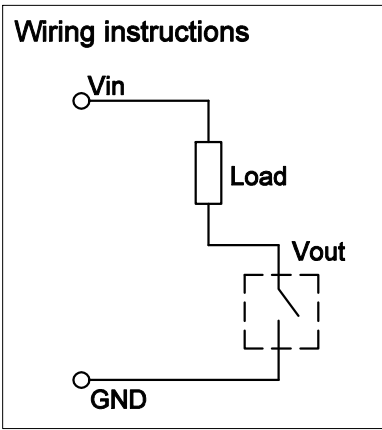
| "□"   |                  |       |           | "△"                            |        | "▲"          |        |
|-------|------------------|-------|-----------|--------------------------------|--------|--------------|--------|
| 1 LED |                  | 2 LED |           | 6V                             | DC 6V  | Lamp Voltage |        |
| NR    | Non-illum./Red   | RG    | Red/Green | 12V                            | DC 12V | 24V          | DC 24V |
| NG    | Non-illum./Green | GR    | Green/Red | Other LED can be made to order |        |              |        |

**SPECIFICATIONS:**

1. Switch Rating: DC6~24V/300mA.
2. Life: ≥1,000,000cycles.
3. Reaction Distance: 2~15cm.
4. Operation mode: NO Momentary.
5. Insulation Resistance: ≥1,000MΩ.
6. Dielectric Strength: 1,500V, RMS 50Hz, 1min.
7. Operating Temperature: -15°C~ +55°C(No Freezing).
8. Torque: About 0.6Nm max.applied to nut.
9. Protection degree: IP65.
10. Terminal Type: Sheltered cable.

**MATERIALS:**

1. Head: PMMA.
2. Body: Stainless Steel.



|                                                                                                                                                                                                                                   |              |                                                             |            |                           |            |
|-----------------------------------------------------------------------------------------------------------------------------------------------------------------------------------------------------------------------------------|--------------|-------------------------------------------------------------|------------|---------------------------|------------|
| BRAND<br>品牌                                                                                                                                                                                                                       | <b>ONPOW</b> | <b>红波按钮制造有限公司</b><br>ONPOW PUSH BUTTON MANUFACTURE CO.,LTD. |            |                           |            |
| THESE DRAWINGS AND SPECIFICATIONS ARE THE PROPERTY OF ONPOW PUSH BUTTON MANUFACTURE CO.,LTD. AND SHALL NOT BE REPRODUCED COPIED OR USED IN ANY MANNER WITHOUT THE PRIOR WRITTEN CONSENT OF ONPOW PUSH BUTTON MANUFACTURE CO.,LTD. |              | USED<br>用途                                                  | APPD<br>审核 | CH                        | 2020/06/17 |
|                                                                                                                                                                                                                                   |              | FINISH<br>处理                                                | CHKD<br>校对 | NCH                       | 2020/06/17 |
|                                                                                                                                                                                                                                   |              | SCALE<br>比例                                                 | 1.2 : 1    | UNIT<br>单位                | mm         |
|                                                                                                                                                                                                                                   |              | DR.<br>制图                                                   | ZPD        | 2020/06/17                |            |
| DIMENSIONS                                                                                                                                                                                                                        |              | TOLERANCE                                                   |            | TITLE<br>名称               |            |
| 0.00 TO 18.00mm                                                                                                                                                                                                                   |              | ±0.43mm                                                     |            | Contactless sensor switch |            |
| 18.01 TO 30.00mm                                                                                                                                                                                                                  |              | ±0.52mm                                                     |            | DWG NO.                   |            |
| 30.01 TO 50.00mm                                                                                                                                                                                                                  |              | ±0.62mm                                                     |            | 图号                        |            |
| 50.01 TO 80.00mm                                                                                                                                                                                                                  |              | ±0.74mm                                                     |            | ONPOW91-22D低电平            |            |
|                                                                                                                                                                                                                                   |              | FILE NAME<br>档案名称                                           |            | SHEET<br>张                | 1 / 1      |
|                                                                                                                                                                                                                                   |              | REV.<br>更改                                                  |            | 1                         |            |

## X-ON Electronics

Largest Supplier of Electrical and Electronic Components

*Click to view similar products for [Pushbutton Switches](#) category:*

*Click to view products by [Onpow](#) manufacturer:*

Other Similar products are found below :

[8971K1133](#) [LW2L-M1C20M-A](#) [01-153.025](#) [M22-D-R-GB0/K11](#) [67021K512](#) [701PB580](#) [7199K101](#) [810K12910](#) [810KSV30B](#) [FLT 2U EE](#)  
[01A](#) [MML21EA2ADK](#) [MML21KA3ABK](#) [MML23KW3AA01W](#) [8418K2](#) [8442K3](#) [8450K1](#) [860K11911T01A](#) [861901](#) [861K11911T01A07](#)  
[861K13810T00A14](#) [861K13911](#) [8646AB6X718UL](#) [9533CD4+U574+U4922](#) [99-450.837](#) [99-453.837](#) [A2PMA1X03EC56](#) [A3A-7310](#) [A3A-](#)  
[7340](#) [12037A2ULCSA](#) [1203A2UL](#) [ABGW410-R](#) [1211390004](#) [ABN400-R](#) [121382](#) [1213C3](#) [HE3B-M2](#) [1211500044](#) [121194](#) [1212MRA](#)  
[1232A6NF](#) [121489](#) [1223A2ULCSA](#) [D5P-MT4](#) [13435AG](#) [13445AD29GX768](#) [AG23-L2](#) [AH165-2SGLG1TE3](#) [AH165-TGFY22](#) [AH165-](#)  
[TGL5Y11E3](#) [AH165-TGLR11AA3](#)