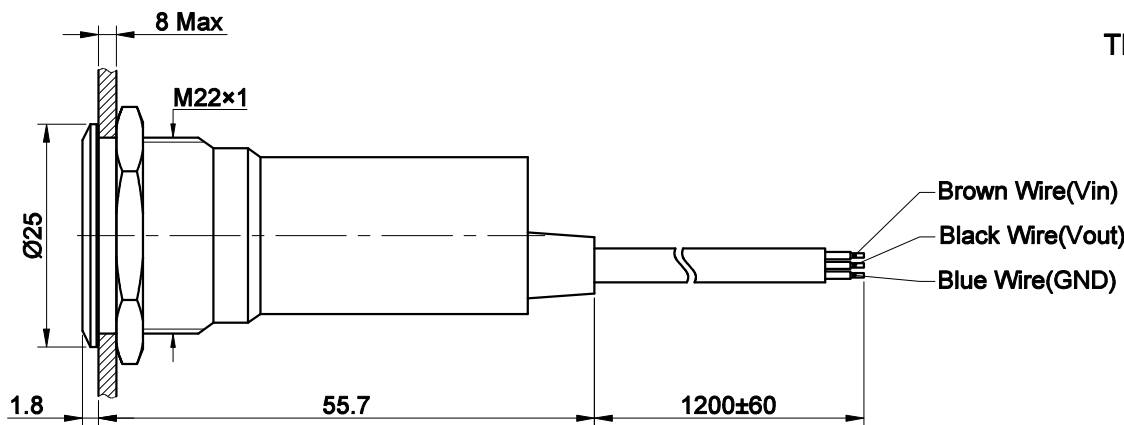
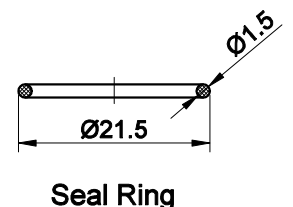
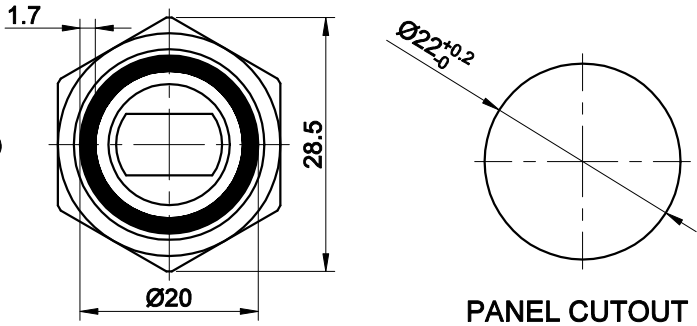


FOR 客户名称	APPROVED 客户确认签字	ATTN 销售负责人



The shaded part is illuminated



"□"	Electrical Function
10B	NO Momentary(Low Level)
Other function can be made to order	

Part Number: ONPOW91-22E□YSS△▲

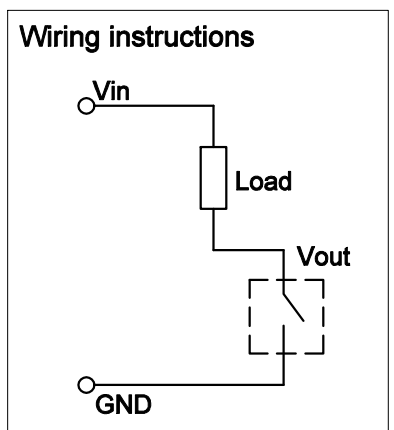
"□"				"△"		"▲"	
1 LED		2 LED		6V	DC 6V	12V	DC 12V
NR	Non-illum./Red	RG	Red/Green	24V	DC 24V		
NG	Non-illum./Green	GR	Green/Red				
Other LED can be made to order							

**SPECIFICATIONS:**

1. Switch Rating: DC6~24V/300mA.
2. Life: ≥1,000,000cycles.
3. Reaction Distance: 2~15cm.
4. Operation mode: NO Momentary.
5. Insulation Resistance: ≥1,000MΩ.
6. Dielectric Strength: 1,500V, RMS 50Hz, 1min.
7. Operating Temperature: -15°C~ +55°C(No Freezing).
8. Torque: About 0.6Nm max.applied to nut.
9. Protection degree: IP65.
10. Terminal Type: Sheltered cable.

**MATERIALS:**

1. Head: PMMA.
2. Body: Stainless Steel.



BRAND 品牌	<b>ONPOW</b>	<b>红波按钮制造有限公司</b> ONPOW PUSH BUTTON MANUFACTURE CO.,LTD.			
THESE DRAWINGS AND SPECIFICATIONS ARE THE PROPERTY OF ONPOW PUSH BUTTON MANUFACTURE CO.,LTD. AND SHALL NOT BE REPRODUCED COPIED OR USED IN ANY MANNER WITHOUT THE PRIOR WRITTEN CONSENT OF ONPOW PUSH BUTTON MANUFACTURE CO.,LTD.		USED 用途	APPD 审核	CH	2020/06/17
		FINISH 处理	CHKD 校对	NCH	2020/06/17
		SCALE 比例	UNIT 单位	DR. 制图	ZPD 2020/06/17
		TITLE 名称			<b>Contactless sensor switch</b>
DIMENSIONS		TOLERANCE		DWG NO. 图号	
0.00 TO 18.00mm		±0.43mm		ONPOW91-22E低电平	
18.01 TO 30.00mm		±0.52mm		SIZE 图纸	
30.01 TO 50.00mm		±0.62mm		A4	
50.01 TO 80.00mm		±0.74mm		FILE NAME 档案名称	
		ONPOW91-22E.DWG	SHEET 张	1 / 1	REV. 更改
				1	1

## X-ON Electronics

Largest Supplier of Electrical and Electronic Components

*Click to view similar products for [Pushbutton Switches](#) category:*

*Click to view products by [Onpow](#) manufacturer:*

Other Similar products are found below :

[8971K1133](#) [LW2L-M1C20M-A](#) [01-153.025](#) [M22-D-R-GB0/K11](#) [67021K512](#) [701PB580](#) [7199K101](#) [810K12910](#) [810KSV30B](#) [FLT 2U EE](#)  
[01A](#) [MML21EA2ADK](#) [MML21KA3ABK](#) [MML23KW3AA01W](#) [8418K2](#) [8442K3](#) [8450K1](#) [860K11911T01A](#) [861901](#) [861K11911T01A07](#)  
[861K13810T00A14](#) [861K13911](#) [8646AB6X718UL](#) [9533CD4+U574+U4922](#) [99-450.837](#) [99-453.837](#) [A2PMA1X03EC56](#) [A3A-7310](#) [A3A-](#)  
[7340](#) [12037A2ULCSA](#) [1203A2UL](#) [ABGW410-R](#) [1211390004](#) [ABN400-R](#) [121382](#) [1213C3](#) [HE3B-M2](#) [1211500044](#) [121194](#) [1212MRA](#)  
[1232A6NF](#) [121489](#) [1223A2ULCSA](#) [D5P-MT4](#) [13435AG](#) [13445AD29GX768](#) [AG23-L2](#) [AH165-2SGLG1TE3](#) [AH165-TGFY22](#) [AH165-](#)  
[TGL5Y11E3](#) [AH165-TGLR11AA3](#)