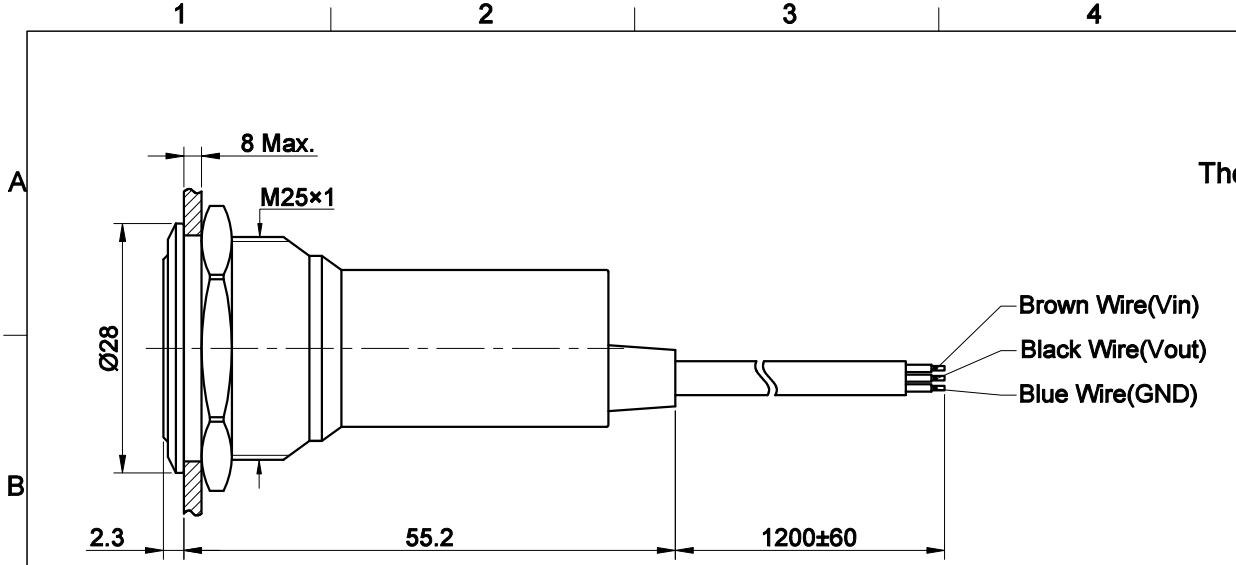
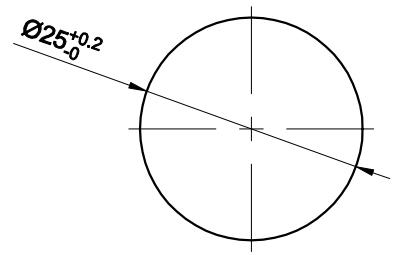
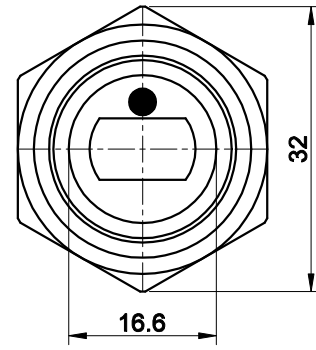


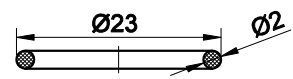
	FOR 客户名称	APPROVED 客户确认签字	ATTN 销售负责人



The shaded part is illuminated



PANEL CUTOUT



Seal Ring

"□"	Electrical Function
10B	NO Momentary (Low Level)
Other function can be made to order	

Part Number: ONPOW91-25D□YSS△▲

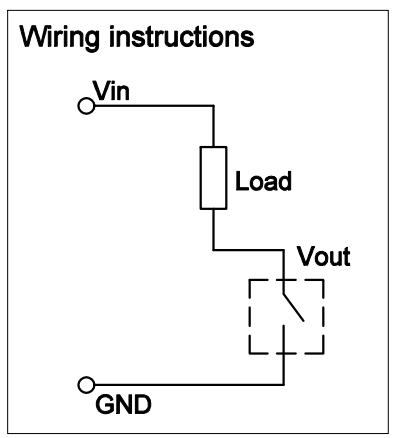
"□"				"△"		"▲"	
1 LED		2 LED		6V	DC 6V	Lamp Voltage	
NR	Non-illum./Red	RG	Red/Green	12V	DC 12V	24V	DC 24V
NG	Non-illum./Green	GR	Green/Red	Other LED can be made to order			

SPECIFICATIONS:

1. Switch Rating: DC6~24V/300mA.
2. Life: ≥1,000,000cycles.
3. Reaction Distance: 2~15cm.
4. Operation mode: NO Momentary.
5. Insulation Resistance: ≥1,000MΩ.
6. Dielectric Strength: 1,500V, RMS 50Hz, 1min.
7. Operating Temperature: -15°C~ +55°C (No Freezing).
8. Torque: About 0.6Nm max. applied to nut.
9. Protection degree: IP65.
10. Terminal Type: Sheltered cable.

MATERIALS:

1. Head: PMMA.
2. Body: Stainless Steel.



BRAND 品牌 	红波按钮制造有限公司 ONPOW PUSH BUTTON MANUFACTURE CO.,LTD.														
	USED 用途 FINISH 处理 SCALE 比例 1.2 : 1 UNIT 单位 mm	APPD 审核 CH 2020/08/31 CHKD 校对 NCH 2020/08/31 DR 制图 ZPD 2020/08/31	TITLE 名称 Contactless sensor switch DWG NO. 图号 ONPOW91-25D低电平 FILE NAME 档案名称 ONPOW91-25D.DWG												
<table border="1"> <thead> <tr> <th>DIMENSIONS</th> <th>TOLERANCE</th> </tr> </thead> <tbody> <tr> <td>0.00 TO 18.00mm</td> <td>±0.43mm</td> </tr> <tr> <td>18.01 TO 30.00mm</td> <td>±0.52mm</td> </tr> <tr> <td>30.01 TO 50.00mm</td> <td>±0.62mm</td> </tr> <tr> <td>50.01 TO 80.00mm</td> <td>±0.74mm</td> </tr> </tbody> </table>	DIMENSIONS	TOLERANCE	0.00 TO 18.00mm	±0.43mm	18.01 TO 30.00mm	±0.52mm	30.01 TO 50.00mm	±0.62mm	50.01 TO 80.00mm	±0.74mm	<table border="1"> <thead> <tr> <th>SIZE 图纸</th> </tr> </thead> <tbody> <tr> <td>A4</td> </tr> </tbody> </table>	SIZE 图纸	A4	SHEET 张 1 / 1 REV. 更改 1	
DIMENSIONS	TOLERANCE														
0.00 TO 18.00mm	±0.43mm														
18.01 TO 30.00mm	±0.52mm														
30.01 TO 50.00mm	±0.62mm														
50.01 TO 80.00mm	±0.74mm														
SIZE 图纸															
A4															

X-ON Electronics

Largest Supplier of Electrical and Electronic Components

Click to view similar products for [Pushbutton Switches](#) category:

Click to view products by [Onpow](#) manufacturer:

Other Similar products are found below :

[8971K1133](#) [LW2L-M1C20M-A](#) [01-153.025](#) [M22-D-R-GB0/K11](#) [67021K512](#) [701PB580](#) [7199K101](#) [810K12910](#) [810KSV30B](#) [FLT 2U EE](#)
[01A](#) [MML21EA2ADK](#) [MML21KA3ABK](#) [MML23KW3AA01W](#) [8418K2](#) [8442K3](#) [8450K1](#) [860K11911T01A](#) [861901](#) [861K11911T01A07](#)
[861K13810T00A14](#) [861K13911](#) [8646AB6X718UL](#) [9533CD4+U574+U4922](#) [99-450.837](#) [99-453.837](#) [A2PMA1X03EC56](#) [A3A-7310](#) [A3A-](#)
[7340](#) [12037A2ULCSA](#) [1203A2UL](#) [ABGW410-R](#) [1211390004](#) [ABN400-R](#) [121382](#) [1213C3](#) [HE3B-M2](#) [1211500044](#) [121194](#) [1212MRA](#)
[1232A6NF](#) [121489](#) [1223A2ULCSA](#) [D5P-MT4](#) [13435AG](#) [13445AD29GX768](#) [AG23-L2](#) [AH165-2SGLG1TE3](#) [AH165-TGFY22](#) [AH165-](#)
[TGL5Y11E3](#) [AH165-TGLR11AA3](#)