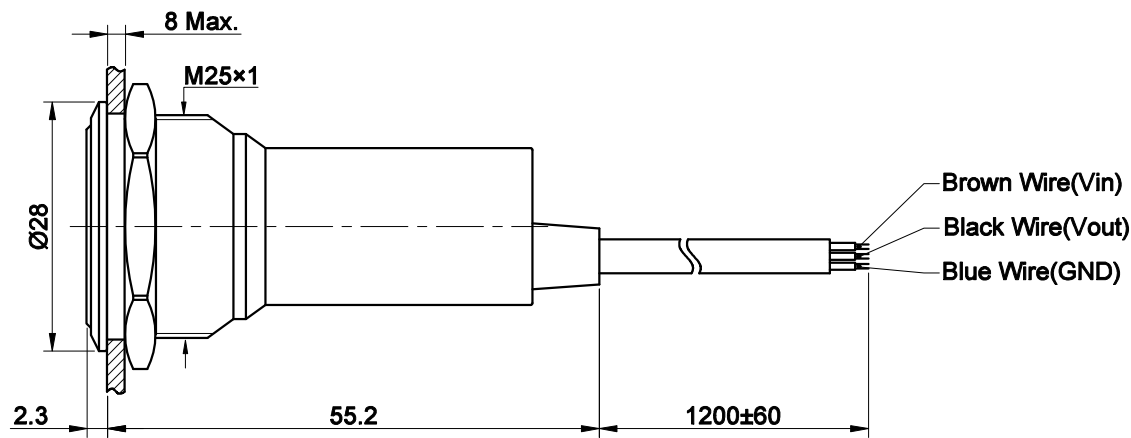
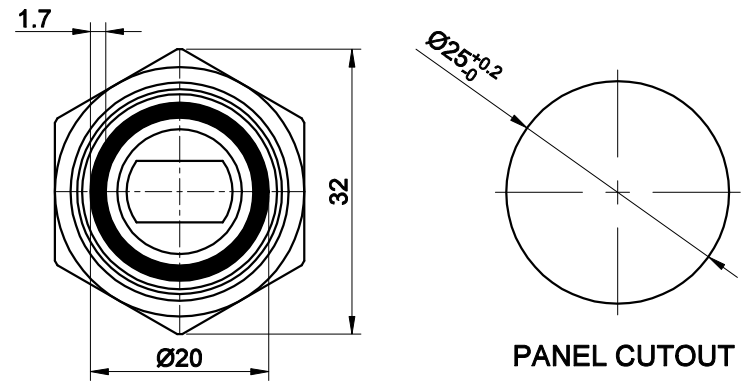


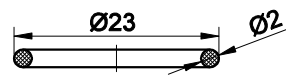
FOR 客户名称	APPROVED 客户确认签字	ATTN 销售负责人



The shaded part is illuminated



PANEL CUTOUT



Seal Ring

"□"	Electrical Function
10B	NO Momentary (Low Level)
Other function can be made to order	

Part Number: ONPOW91-25E□YSS△▲

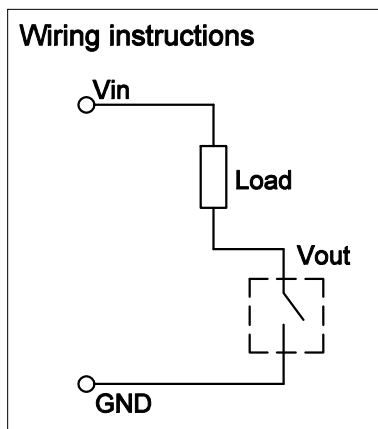
"□"				"△"		"▲"	
1 LED		2 LED		6V	DC 6V	Lamp Voltage	
NR	Non-illum./Red	RG	Red/Green	12V	DC 12V		
NG	Non-illum./Green	GR	Green/Red	24V	DC 24V		
Other LED can be made to order							

SPECIFICATIONS:

1. Switch Rating: DC6~24V/300mA.
2. Life: ≥1,000,000cycles.
3. Reaction Distance: 2~15cm.
4. Operation mode: NO Momentary.
5. Insulation Resistance: ≥1,000MΩ.
6. Dielectric Strength: 1,500V, RMS 50Hz, 1min.
7. Operating Temperature: -15°C~ +55°C (No Freezing).
8. Torque: About 0.6Nm max. applied to nut.
9. Protection degree: IP65.
10. Terminal Type: Sheltered cable.

MATERIALS:

1. Head: PMMA.
2. Body: Stainless Steel.



BRAND 品牌 **ONPOW** 红波按钮制造有限公司 ONPOW PUSH BUTTON MANUFACTURE CO.,LTD.

THESE DRAWINGS AND SPECIFICATIONS ARE THE PROPERTY OF ONPOW PUSH BUTTON MANUFACTURE CO.,LTD. AND SHALL NOT BE REPRODUCED COPIED OR USED IN ANY MANNER WITHOUT THE PRIOR WRITTEN CONSENT OF ONPOW PUSH BUTTON MANUFACTURE CO.,LTD.	用途 审核 CH 2020/08/31	APPD 审核 CH 2020/08/31
	处理 校对 NCH 2020/08/31	CHKD 校对 NCH 2020/08/31
SCALE 比例 1.2 : 1	UNIT 单位 mm	DR. 制图 ZPD 2020/08/31

DIMENSIONS	TOLERANCE	TITLE 名称	Contactless sensor switch		SIZE 图纸 A4
0.00 TO 18.00mm	±0.43mm	DWG NO. 图号	ONPOW91-25E低电平		
18.01 TO 30.00mm	±0.52mm	FILE NAME 档案名称	ONPOW91-25E.DWG	SHEET 张 1 / 1	REV. 更改 1
30.01 TO 50.00mm	±0.62mm				
50.01 TO 80.00mm	±0.74mm				

X-ON Electronics

Largest Supplier of Electrical and Electronic Components

Click to view similar products for [Pushbutton Switches](#) category:

Click to view products by [Onpow](#) manufacturer:

Other Similar products are found below :

[8971K1133](#) [LW2L-M1C20M-A](#) [01-153.025](#) [M22-D-R-GB0/K11](#) [67021K512](#) [701PB580](#) [7199K101](#) [810K12910](#) [810KSV30B](#) [FLT 2U EE](#)
[01A](#) [MML21EA2ADK](#) [MML21KA3ABK](#) [MML23KW3AA01W](#) [8418K2](#) [8442K3](#) [8450K1](#) [860K11911T01A](#) [861901](#) [861K11911T01A07](#)
[861K13810T00A14](#) [861K13911](#) [8646AB6X718UL](#) [9533CD4+U574+U4922](#) [99-450.837](#) [99-453.837](#) [A2PMA1X03EC56](#) [A3A-7310](#) [A3A-](#)
[7340](#) [12037A2ULCSA](#) [1203A2UL](#) [ABGW410-R](#) [1211390004](#) [ABN400-R](#) [121382](#) [1213C3](#) [HE3B-M2](#) [1211500044](#) [121194](#) [1212MRA](#)
[1232A6NF](#) [121489](#) [1223A2ULCSA](#) [D5P-MT4](#) [13435AG](#) [13445AD29GX768](#) [AG23-L2](#) [AH165-2SGLG1TE3](#) [AH165-TGFY22](#) [AH165-](#)
[TGL5Y11E3](#) [AH165-TGLR11AA3](#)