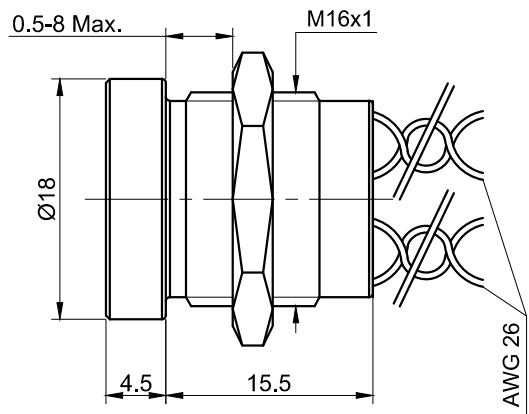
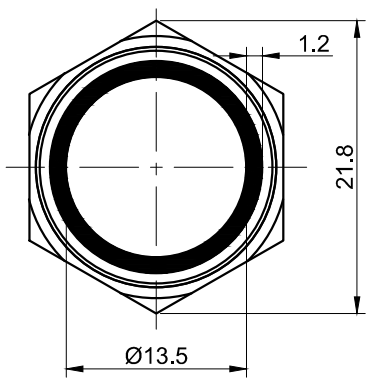


FOR 客户名称	APPROVED 客户确认签字	ATTN 销售负责人

A



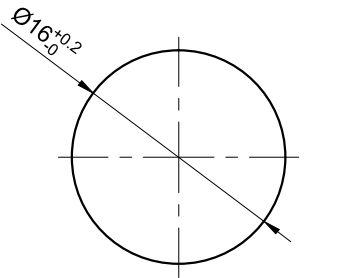
The shaded part is illuminated



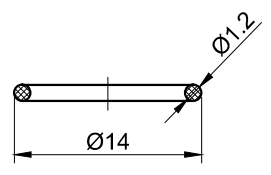
Part Number: PS165P10ZY ◆ 1 △ ▲

"◆"	Colour/Materials	"△"	Lamp Color	"▲"	LED Volvate
NT	Natural anodized (Al alloy)	R	Red	05	DC 5V
BU	Blue anodized (Al alloy)	G	Green	12	DC 12V
BK	Black anodized (Al alloy)	Y	Yellow	24	DC 24V
GD	Gold anodized (Al alloy)	B	Blue		
RD	Red anodized (Al alloy)	W	White		
SS	Stainless steel				
GN	Green anodized (Al alloy)				

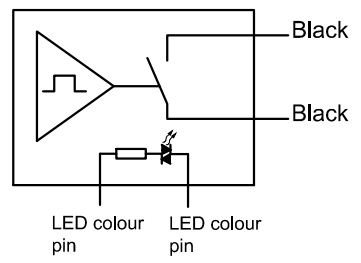
B



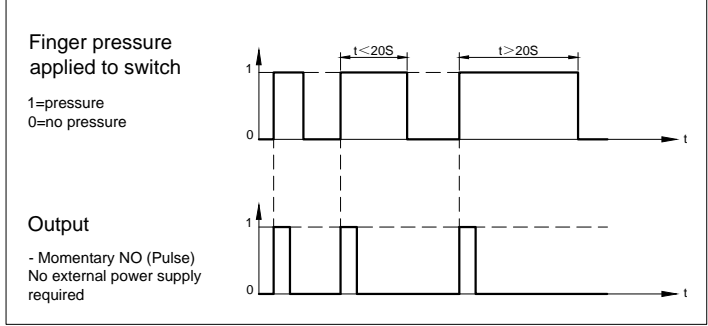
PANEL CUTOUT
MAX.PANEL THICKNESS
8 mm



Seal Ring



Wiring Diagram



C

SPECIFICATIONS:

- 1.Switch Operation: Momentary NO (Pulse).
- 2.Max.Switch Rating: 200mA 24VAC/DC.
- 3.Operation Life: 50 Million cycles.
- 4.Operating Temperature: -40°C ~ +75°C.
- 5.IP Class: IP68.
- 6.Wiring: AWG 26, Length 300mm.
- 7.Operating Force: About 5~10N.

MATERIALS:

- 1.Body: Al Alloy/Stainless steel.

D

BRAND 品牌 ONPOW	红波按钮制造有限公司 ONPOW PUSH BUTTON MANUFACTURE CO.,LTD.			
	USED 用途	APPD 审核	CH 2020/05/11	
THESE DRAWINGS AND SPECIFICATIONS ARE THE PROPERTY OF ONPOW PUSH BUTTON MANUFACTURE CO.,LTD. AND SHALL NOT BE REPRODUCED COPIED OR USED IN ANY MANNER WITHOUT THE PRIOR WRITTEN CONSENT OF ONPOW PUSH BUTTON MANUFACTURE CO.,LTD.	FINISH 处理	CHKD 校对	NCH 2020/05/11	
	SCALE 比例	UNIT 单位	DR. 制图	ZPD 2020/05/11
	DIMENSIONS	TOLERANCE	TITLE 名称	Piezo electric Switch
0.00 TO 18.00mm	±0.43mm	DWG NO. 图号	PS165P10自复	
18.01 TO 30.00mm	±0.52mm	FILE NAME 档案名称	PS16.DWG	SHEET 张
30.01 TO 50.00mm	±0.62mm			1 / 1
50.01 TO 80.00mm	±0.74mm			REV. 更改
				1

E

X-ON Electronics

Largest Supplier of Electrical and Electronic Components

Click to view similar products for [Control Switches](#) category:

Click to view products by [Onpow](#) manufacturer:

Other Similar products are found below :

[80887-99](#) [80932-99](#) [86855-00](#) [88814-30](#) [89721-12](#) [89804-08](#) [EX0011-1](#) [SSN](#) [RL01801](#) [50051857-17](#) [50099156-001-05](#) [51.155R-15200](#)
[50058920-26](#) [KMK-PA](#) [RAL9005](#) [M16](#) [ACCU-SC/L-3000](#) [PORTAPRO](#) [CFPS-73-48M](#) [WEL.PT-O6](#) [WEL.PT-L8](#) [WEL.PT-K7](#) [WEL.PT-](#)
[H7](#) [WEL.PT-E9](#) [WEL.PT-D7](#) [WEL.PT-B7](#) [WEL.PT-AA9](#) [WEL.PT-AA8](#) [WEL.PT-A8](#) [WEL.LT-F](#) [WEL.LT-4](#) [WEL.LT-1LX](#) [WEL.LT-1L](#)
[WEL.ET-BB](#) [WEL.CT5B7](#) [WEL.51361699](#) [RGFRA1903041A1T](#) [PLC-60/75](#) [PLC-30/40](#) [PLC-24/30](#) [PLC-40/55](#) [LOC-MIKSER2](#) [8522808](#)
[CC-100N](#) [V8Y-11Z-Y](#) [V8Y-11Z-R](#) [V8Y-11Z-O](#) [V8Y-11Z-24R](#) [V8Y-11Z-24O](#) [V8Y-11Z-230B](#) [V8Y-11-230W](#) [V8Y-11-230O](#)