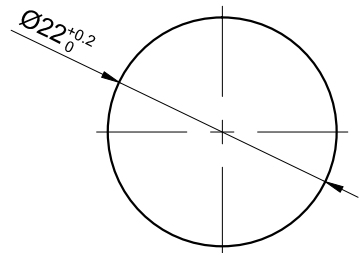
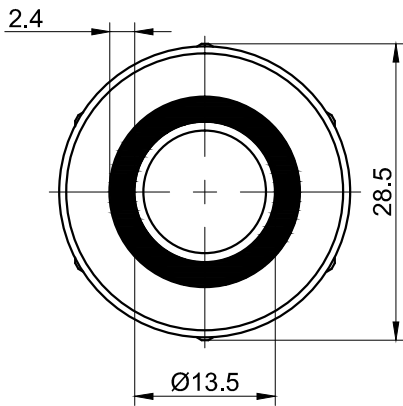
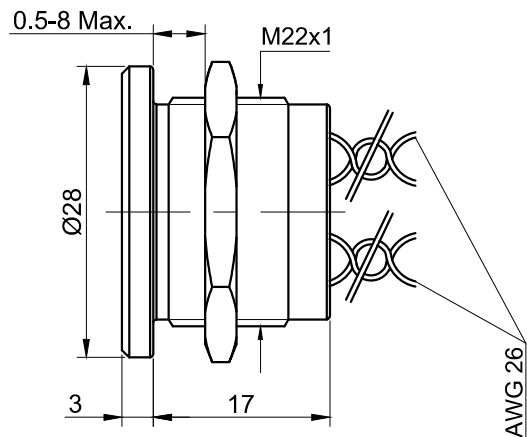
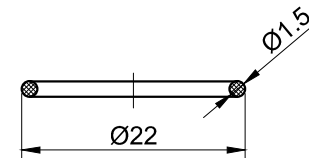


FOR 客户名称	APPROVED 客户确认签字	ATTN 销售负责人

The shaded part is illuminated

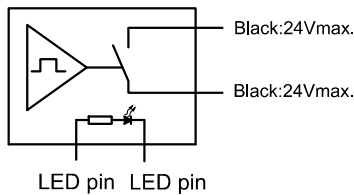


PANEL CUTOUT
MAX.PANEL THICKNESS
8 mm



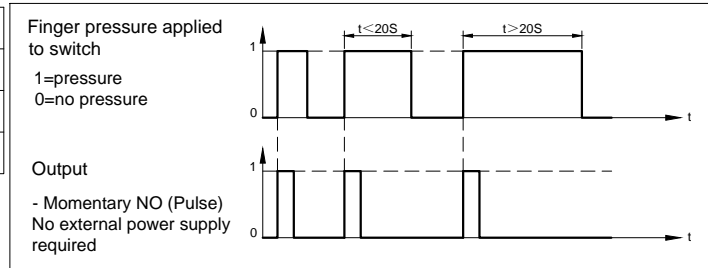
Seal Ring

Part Number:PS223P10Y◆1△▲



Wiring Diagram

"◆"	Colour/Materials	"△"	Lamp Color	"▲"	Lamp Voltage
NT	Natural anodized (Al alloy)	R	Red	05T	Thin Ring- 5VDC
BU	Blue anodized (Al alloy)	G	Green	12T	Thin Ring- 12VDC
BK	Black anodized (Al alloy)	Y	Yellow	24T	Thin Ring- 24VDC
GD	Gold anodized (Al alloy)	B	Blue		
RD	Red anodized (Al alloy)	W	White		
SS	Stainless steel				
GN	Green anodized (Al alloy)				



SPECIFICATIONS:

- 1.Switch Operation: Momentary NO (Pulse) .
- 2.Max.Switch Rating: 200mA 24VAC/DC.
- 3.Operation Life: 50 Million cycles.
- 4.Wiring: AWG 26, Length 300mm.
- 5.IP Class: IP68.
- 6.Operating Temperature: -40°C~ +75°C.
- 7.Operating Force: About 5~10N.

MATERIALS:

- 1.Body:Al Alloy/Stainless steel.

BRAND 品牌	ONPOW	红波按钮制造有限公司 ONPOW PUSH BUTTON MANUFACTURE CO.,LTD.	
THESE DRAWINGS AND SPECIFICATIONS ARE THE PROPERTY OF ONPOW PUSH BUTTON MANUFACTURE CO.,LTD. AND SHALL NOT BE REPRODUCED COPIED OR USED IN ANY MANNER WITHOUT THE PRIOR WRITTEN CONSENT OF ONPOW PUSH BUTTON MANUFACTURE CO.,LTD.		USED 用途	APPD 审核 CH 2020/05/12
		FINISH 处理	CHKD 校对 NCH 2020/05/12
		SCALE 比例 1.4 / 1	UNIT 单位 mm
		DR. 制图 ZPD 2020/05/12	
DIMENSIONS		TITLE 名称 Piezo electric Switch	
TOLERANCE		DWG NO. 图号 PS223P10-T	
0.00 TO 18.00mm	±0.43mm	SIZE 图纸 A4	
18.01 TO 30.00mm	±0.52mm	FILE NAME 档案名称 PS223P.DWG	
30.01 TO 50.00mm	±0.62mm	SHEET 张 1 / 1	REV. 更改 1
50.01 TO 80.00mm	±0.74mm		

X-ON Electronics

Largest Supplier of Electrical and Electronic Components

Click to view similar products for [Control Switches](#) category:

Click to view products by [Onpow](#) manufacturer:

Other Similar products are found below :

[80887-99](#) [80932-99](#) [86855-00](#) [88814-30](#) [89721-12](#) [89804-08](#) [EX0011-1](#) [SSN](#) [RL01801](#) [50051857-17](#) [50099156-001-05](#) [51.155R-15200](#)
[50058920-26](#) [KMK-PA](#) [RAL9005](#) [M16](#) [ACCU-SC/L-3000](#) [PORTAPRO](#) [CFPS-73-48M](#) [WEL.PT-O6](#) [WEL.PT-L8](#) [WEL.PT-K7](#) [WEL.PT-](#)
[H7](#) [WEL.PT-E9](#) [WEL.PT-D7](#) [WEL.PT-B7](#) [WEL.PT-AA9](#) [WEL.PT-AA8](#) [WEL.PT-A8](#) [WEL.LT-F](#) [WEL.LT-4](#) [WEL.LT-1LX](#) [WEL.LT-1L](#)
[WEL.ET-BB](#) [WEL.CT5B7](#) [WEL.51361699](#) [RGFRA1903041A1T](#) [PLC-60/75](#) [PLC-30/40](#) [PLC-24/30](#) [PLC-40/55](#) [LOC-MIKSER2](#) [8522808](#)
[CC-100N](#) [V8Y-11Z-Y](#) [V8Y-11Z-R](#) [V8Y-11Z-O](#) [V8Y-11Z-24R](#) [V8Y-11Z-24O](#) [V8Y-11Z-230B](#) [V8Y-11-230W](#) [V8Y-11-230O](#)