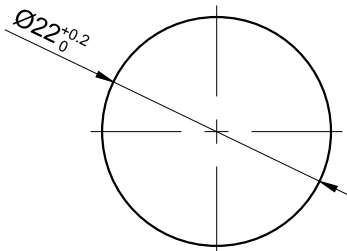
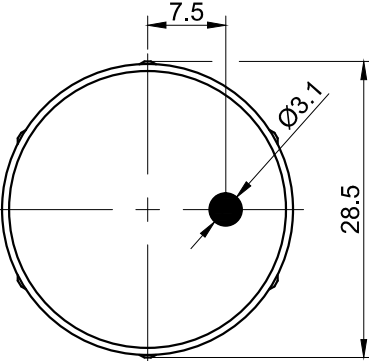
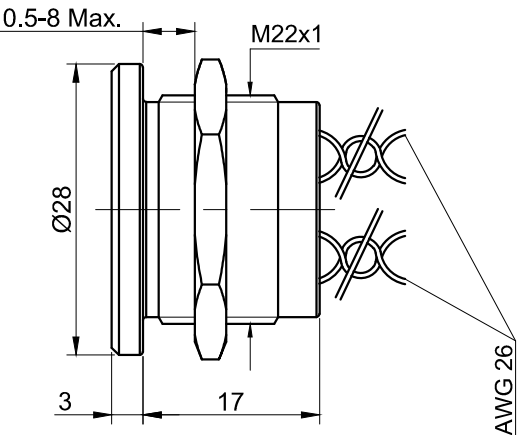
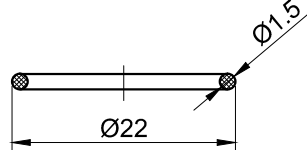


FOR 客户名称	APPROVED 客户确认签字	ATTN 销售负责人

The shaded part is illuminated

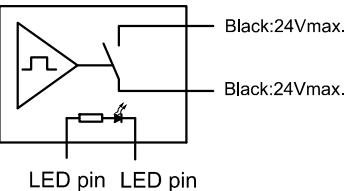


PANEL CUTOUT
MAX.PANEL THICKNESS
8 mm



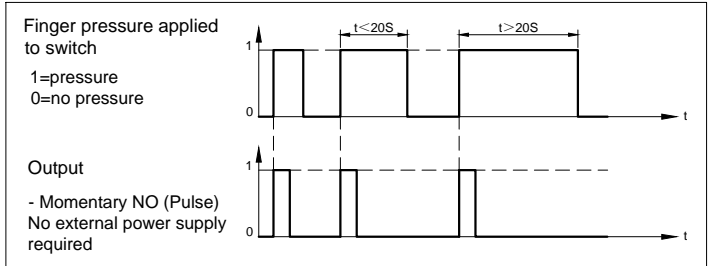
Seal Ring

Part Number:PS223P10Y◆1△▲



Wiring Diagram

"◆"	Colour/Materials	"△"	Lamp Color	"▲"	Lamp Voltage
NT	Natural anodized (Al alloy)	R	Red	05D	Dot illumination -5VDC
BU	Blue anodized (Al alloy)	G	Green	12D	Dot illumination -12VDC
BK	Black anodized (Al alloy)	Y	Yellow	24D	Dot illumination -24VDC
GD	Gold anodized (Al alloy)	B	Blue		
RD	Red anodized (Al alloy)	W	White		
SS	Stainless steel				
GN	Green anodized (Al alloy)				



SPECIFICATIONS:

- 1.Switch Operation: Momentary NO (Pulse) .
- 2.Max.Switch Rating: 200mA 24VAC/DC.
- 3.Operation Life: 50 Million cycles.
- 4.Wiring: AWG 26, Length 300mm.
- 5.IP Class: IP68.
- 6.Operating Temperature: -40°C~ +75°C.
- 7.Operating Force: About 5~10N.

MATERIALS:

- 1.Body:Al Alloy/Stainless steel.

BRAND 品牌	ONPOW	红波按钮制造有限公司 ONPOW PUSH BUTTON MANUFACTURE CO.,LTD.	
USED 用途	ARE THE PROPERTY OF ONPOW PUSH BUTTON MANUFACTURE CO.,LTD. AND SHALL NOT BE REPRODUCED COPIED OR USED IN ANY MANNER WITHOUT THE PRIOR WRITTEN CONSENT OF ONPOW PUSH BUTTON MANUFACTURE CO.,LTD.	APPD 审核	CH 2020/05/12
FINISH 处理		CHKD 校对	NCH 2020/05/12
SCALE 比例	1.4 / 1	UNIT 单位	mm
		DR. 制图	ZPD 2020/05/12
DIMENSIONS	TOLERANCE	TITLE 名称	Piezo electric Switch
0.00 TO 18.00mm	±0.43mm	DWG NO. 图号	PS223P10-D
18.01 TO 30.00mm	±0.52mm	FILE NAME 档案名称	PS223P.DWG
30.01 TO 50.00mm	±0.62mm	SHEET 张	1 / 1
50.01 TO 80.00mm	±0.74mm	REV. 更改	1
		SIZE 图纸	A4

X-ON Electronics

Largest Supplier of Electrical and Electronic Components

Click to view similar products for [Control Switches](#) category:

Click to view products by [Onpow](#) manufacturer:

Other Similar products are found below :

[80887-99](#) [80932-99](#) [86855-00](#) [88814-30](#) [89721-12](#) [89804-08](#) [EX0011-1](#) [SSN](#) [RL01801](#) [50051857-17](#) [50099156-001-05](#) [51.155R-15200](#)
[50058920-26](#) [KMK-PA](#) [RAL9005](#) [M16](#) [ACCU-SC/L-3000](#) [PORTAPRO](#) [CFPS-73-48M](#) [WEL.PT-O6](#) [WEL.PT-L8](#) [WEL.PT-K7](#) [WEL.PT-](#)
[H7](#) [WEL.PT-E9](#) [WEL.PT-D7](#) [WEL.PT-B7](#) [WEL.PT-AA9](#) [WEL.PT-AA8](#) [WEL.PT-A8](#) [WEL.LT-F](#) [WEL.LT-4](#) [WEL.LT-1LX](#) [WEL.LT-1L](#)
[WEL.ET-BB](#) [WEL.CT5B7](#) [WEL.51361699](#) [RGFRA1903041A1T](#) [PLC-60/75](#) [PLC-30/40](#) [PLC-24/30](#) [PLC-40/55](#) [LOC-MIKSER2](#) [8522808](#)
[CC-100N](#) [V8Y-11Z-Y](#) [V8Y-11Z-R](#) [V8Y-11Z-O](#) [V8Y-11Z-24R](#) [V8Y-11Z-24O](#) [V8Y-11Z-230B](#) [V8Y-11-230W](#) [V8Y-11-230O](#)