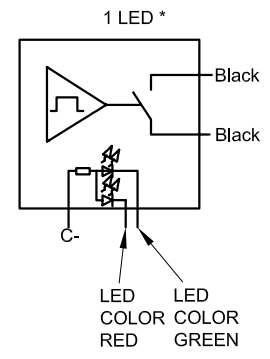
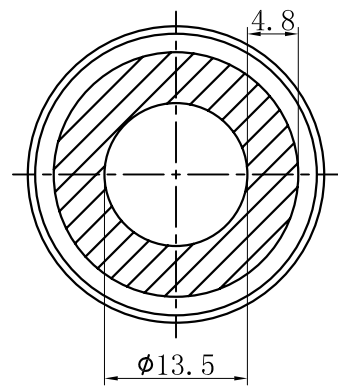
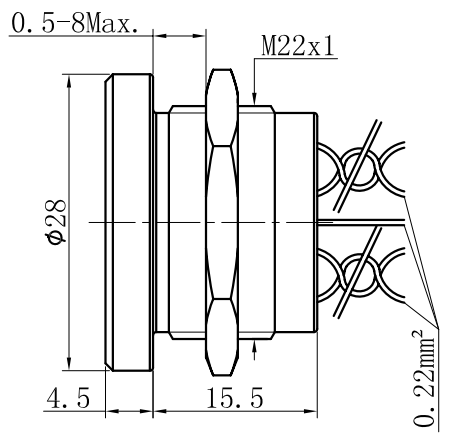
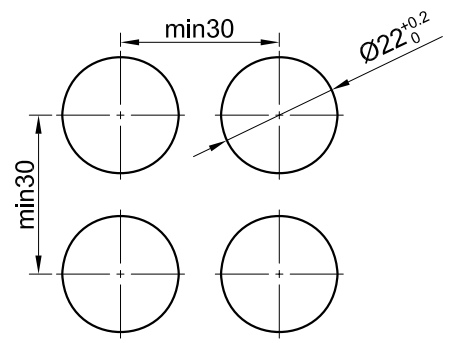


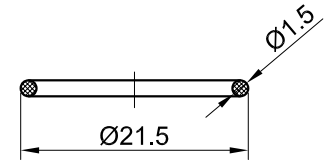
REV. 更改	DESCRIPTION 说明	ENG. 修改人	APPROVE 审核



Wiring Diagram



PANEL CUTOUT
MAX.PANEL THICKNESS
8 mm



Seal Ring

Part Number: PS225P10Y◆1△▲

"◆"	Colour/Materials	"△"	Cap or Lamp Color	"▲"	Lamp voltage
NT	Natural anodized	31RG	31:C-	Blank	Non-illum
BU	Blue anodized	32RG	32:C+	05L	Large Ring- 5VDC
BK	Black anodized			12L	Large Ring-12VDC
GD	Gold anodized			24L	Large Ring-24VDC
RD	Red anodized				
SS	Stainless steel				
GN	Green anodized				

SPECIFICATIONS:

- 1.Max.Switch Rating: 200mA 24VAC/DC;
- 2.Switch resistance ON:10Ω max
Switch resistance OFF:5MΩ min.
- 3.Operation Life: 50 Million cycles;
- 4.Wiring: AWG 26, Length 300mm;
- 5.IP Class: IP68/IK10.
- 6.Operating Temperature: -40℃ ~ +75℃;
- 7.Operating Force: 5~10N.
- 8.LED consumption:illuminated ring:About 15mA.
- 9.LED color:Red,Green common cathode.

MATERIALS:

- 1.Body: Aluminium anodized /Stainless Steel.
- 2.Multi-wire leads section 0.22mm² length 300 mm,twisted by pair.cable,length 300mm,section depending on switch model
- 3.PC terminals:bronze tin plated.

THESE DRAWINGS AND SPECIFICATIONS ARE THE PROPERTY OF ONPOW PUSH BUTTON MANUFACTURE CO.,LTD. AND SHALL NOT BE REPRODUCED COPIED OR USED IN ANY MANNER WITHOUT THE PRIOR WRITTEN CONSENT OF ONPOW PUSH BUTTON MANUFACTURE CO.,LTD.

DIMENSIONS	TOLERANCE
0.00 TO 30.00mm	±0.20mm
30.01 TO 80.00mm	±0.25mm
80.01 TO 150.00mm	±0.30mm
150.01 ↑	±0.40mm

中国·红波按钮制造有限公司
ONPOW PUSH BUTTON MANUFACTURE CO.,LTD.

USED 用途	APPD 审核
FINISH 处理	CHKD 校对
SCALE 比例 1.4 / 1	UNIT 单位 mm
DR. 制图	
TITLE 名称 Piezo electric Switch	
DWG NO. 图号 PS225P10Y◆1△▲	SIZE 图纸 A4
FILE NAME 档案名称 PS225P10Y◆1.DWG	SHEET 张 1 / 1
REV. 更改	1

X-ON Electronics

Largest Supplier of Electrical and Electronic Components

Click to view similar products for [Control Switches](#) category:

Click to view products by [Onpow](#) manufacturer:

Other Similar products are found below :

[80887-99](#) [80932-99](#) [86855-00](#) [88814-30](#) [89721-12](#) [89804-08](#) [EX0011-1](#) [SSN](#) [RL01801](#) [50051857-17](#) [50099156-001-05](#) [51.155R-15200](#)
[50058920-26](#) [KMK-PA](#) [RAL9005](#) [M16](#) [ACCU-SC/L-3000](#) [PORTAPRO](#) [CFPS-73-48M](#) [WEL.PT-O6](#) [WEL.PT-L8](#) [WEL.PT-K7](#) [WEL.PT-](#)
[H7](#) [WEL.PT-E9](#) [WEL.PT-D7](#) [WEL.PT-B7](#) [WEL.PT-AA9](#) [WEL.PT-AA8](#) [WEL.PT-A8](#) [WEL.LT-F](#) [WEL.LT-4](#) [WEL.LT-1LX](#) [WEL.LT-1L](#)
[WEL.ET-BB](#) [WEL.CT5B7](#) [WEL.51361699](#) [RGFRA1903041A1T](#) [PLC-60/75](#) [PLC-30/40](#) [PLC-24/30](#) [PLC-40/55](#) [LOC-MIKSER2](#) [8522808](#)
[CC-100N](#) [V8Y-11Z-Y](#) [V8Y-11Z-R](#) [V8Y-11Z-O](#) [V8Y-11Z-24R](#) [V8Y-11Z-24O](#) [V8Y-11Z-230B](#) [V8Y-11-230W](#) [V8Y-11-230O](#)