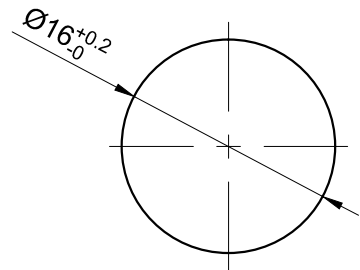
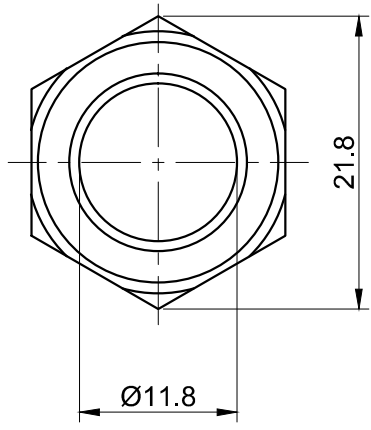
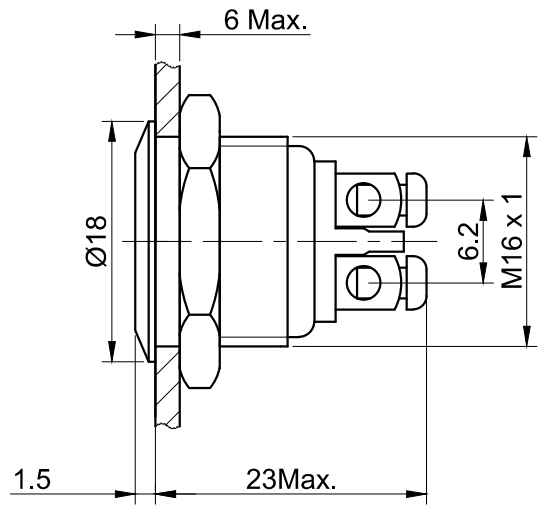
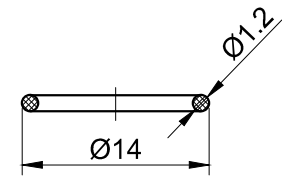


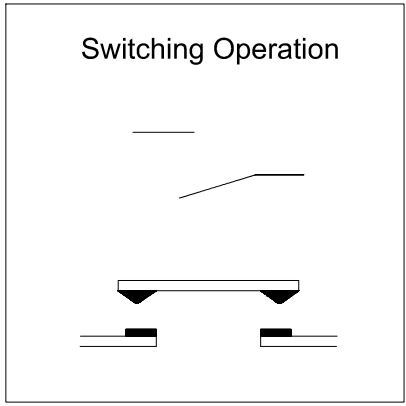
FOR 客户名称	APPROVED 客户确认签字	ATTN 销售负责人



PANEL CUTOUT  
MAX.PANEL THICKNESS  
6 mm



Seal Ring



Part Number: GQ16F-10/◎

"◎"	Crust Material
N	Nickel Plated Brass
S	Stainless Steel
A	Al alloy(black)
G	Gold Plated Brass

**SPECIFICATIONS:**

- 1.Switch Rating: AC220V/0.5A, DC36V/2A.
- 2.Mechanical Life: ≥1,000,000cycles.
- 3.Electrical Life: ≥200,000cycles(DC 36V);  
≥50,000cycles(AC 220V).
- 4.Contact Resistance: ≤50mΩ.
- 5.Insulation Resistance: ≥1,000MΩ.
- 6.Dielectric Strength: 1,500V, RMS 50Hz, 1min.
- 7.Operating Temperature: -25°C~ +55°C(No Freezing).
- 8.Operating Force: About 4N.
- 9.Operating Travel: About 2mm.
- 10.Torque: About 0.6Nm max.applied to nut.
- 11.Protection degree: IP65;IK08.
- 12.Terminal Type: Screw Terminal.

**MATERIALS:**

- 1.Contact: Silver alloy.
- 2.Button: ◎.
- 3.Body: ◎.
- 4.Base: PBT.

BRAND 品牌	<b>ONPOW</b>	<b>红波按钮制造有限公司</b> ONPOW PUSH BUTTON MANUFACTURE CO.,LTD.			
THESE DRAWINGS AND SPECIFICATIONS ARE THE PROPERTY OF ONPOW PUSH BUTTON MANUFACTURE CO.,LTD. AND SHALL NOT BE REPRODUCED COPIED OR USED IN ANY MANNER WITHOUT THE PRIOR WRITTEN CONSENT OF ONPOW PUSH BUTTON MANUFACTURE CO.,LTD.		USED 用途	APPD 审核	CH	2020/04/11
		FINISH 处理	CHKD 校对	NCH	2020/04/11
		SCALE 比例	UNIT 单位	DR. 制图	ZPD 2020/04/11
		TITLE 名称			
		DWG NO. 图号			SIZE 图纸
		FILE NAME 档案名称			REV. 更改
		SHEET 张	1 / 1	1	

DIMENSIONS	TOLERANCE
0.00 TO 18.00mm	±0.43mm
18.01 TO 30.00mm	±0.52mm
30.01 TO 50.00mm	±0.62mm
50.01 TO 80.00mm	±0.74mm

TITLE 名称	GQ Series Anti-vandal push button	
DWG NO. 图号	GQ16F-10	SIZE 图纸
FILE NAME 档案名称	GQ16-10.DWG	REV. 更改
SHEET 张	1 / 1	1

## X-ON Electronics

Largest Supplier of Electrical and Electronic Components

*Click to view similar products for [Pushbutton Switches](#) category:*

*Click to view products by [Onpow](#) manufacturer:*

Other Similar products are found below :

[LW1L-M1C10V-A](#) [LW2L-A1C20M-GD](#) [LW2L-M1C20M-A](#) [60324L](#) [M7E-HRN2](#) [67021K512](#) [67081K512X](#) [701PB580](#) [719-5504-000](#)  
[MDPSSGLFS](#) [810KSV30B](#) [FLT 2U EE 01A](#) [MML21KA3ABK](#) [MML23KA3AC05K-001](#) [MML23KW3AA01W](#) [8418K2](#) [8646AB6X718UL](#)  
[8646ABUL](#) [FSDWH](#) [9001KXRK](#) [9001T8BK](#) [9533CD4+U574+U4922](#) [1203MRA](#) [A22EM01S](#) [A595](#) [1202A6](#) [12037A2ULCSA](#) [1203A2UL](#)  
[ABD122N-B](#) [1211390004](#) [ABN111-Y](#) [ABN400-R](#) [1211500044](#) [1211580012](#) [1212MRA](#) [1232A6NF](#) [RA3CSH6A](#) [1241.1183.7047](#)  
[1241.2511](#) [1241.3428](#) [1223A2ULCSA](#) [1223MRA](#) [1232AX2119](#) [1241.1183.8000](#) [1241.1183.8029](#) [1241.2506](#) [1241.2606](#) [12MA6](#)  
[1301940184](#) [RELBARF6X10\(PLASTIC\)](#)