

1

2

3

4

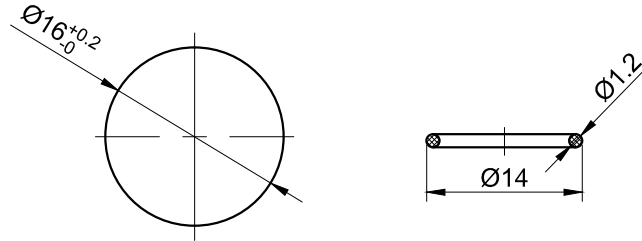
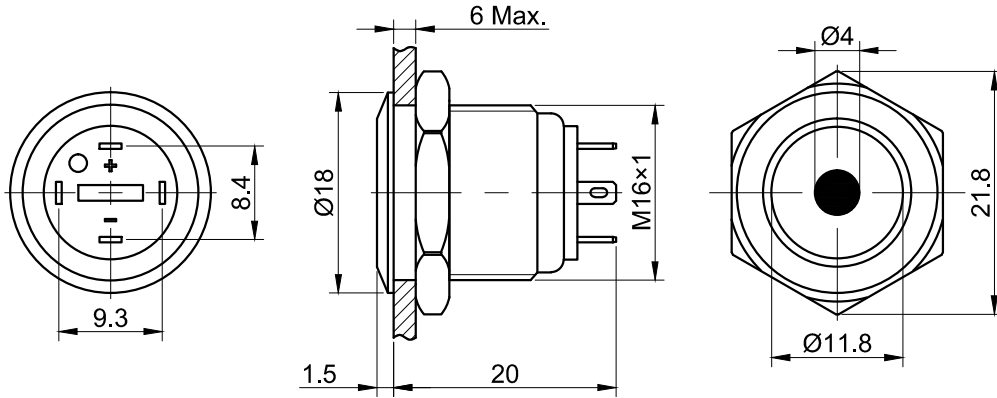
5

6

7

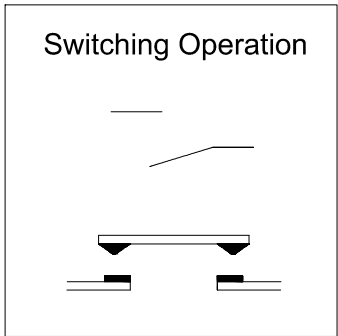
FOR 客户名称	APPROVED 客户确认签字	ATTN 销售负责人

The shaded part is illuminated



PANEL CUTOUT
MAX.PANEL THICKNESS
6 mm

Seal Ring



Part Number:GQ16F-10D/J/△/▲/◎

"△"	Lamp Color	"▲"	Lamp voltage	"◎"	Crust Material
R	Red	6V	AC/DC 6V	N	Nickel Plated Brass
G	Green	12V	AC/DC 12V	S	Stainless Steel
Y	Yellow	24V	AC/DC 24V	A	Al alloy(black)
B	Blue	220V	AC/DC 220V		
W	White				

SPECIFICATIONS:

- 1.Switch Rating: AC220V/0.5A, DC36V/2A.
- 2.Mechanical Life: ≥1,000,000cycles.
- 3.Electrical Life: ≥200,000cycles(DC 36V);
≥50,000cycles(AC 220V).
- 4.Contact Resistance: ≤50mΩ.
- 5.Insulation Resistance: ≥1,000MΩ.
- 6.Dielectric Strength: 1,500V, RMS 50Hz, 1min.
- 7.Operating Temperature: -25°C~ +55°C(No Freezing).
- 8.Operating Force: About 4N.
- 9.Operating Travel: About 2mm.
- 10.Torque: About 0.6Nm max.applied to nut.
- 11.Protection degree: IP65,IP67(made to order);IK08.
- 12.Terminal Type: Pin Terminal(2 x 0.5mm).

MATERIALS:

- 1.Contact: Silver alloy.
- 2.Button: ◎.
- 3.Body: ◎.
- 4.Base: PA.

BRAND 品牌 **ONPOW** 红波按钮制造有限公司
ONPOW PUSH BUTTON MANUFACTURE CO.,LTD.

THESE DRAWINGS AND SPECIFICATIONS ARE THE PROPERTY OF ONPOW PUSH BUTTON MANUFACTURE CO.,LTD. AND SHALL NOT BE REPRODUCED COPIED OR USED IN ANY MANNER WITHOUT THE PRIOR WRITTEN CONSENT OF ONPOW PUSH BUTTON MANUFACTURE CO.,LTD.	用途	APPD 审核	CH 2020/04/13	
	FINISH 处理	CHKD 校对	NCH 2020/04/13	
	SCALE 比例 1.5 / 1	UNIT 单位 mm	DR. 制图	ZPD 2020/04/13
	TITLE 名称			

DIMENSIONS	TOLERANCE	TITLE 名称	GQ Series Anti-vandal push button		
0.00 TO 18.00mm	±0.43mm	DWG NO.	GQ16F-10D/J		
18.01 TO 30.00mm	±0.52mm	图号	GQ16F-10D/J		
30.01 TO 50.00mm	±0.62mm	FILE NAME 档案名称	GQ16F-10DJ.DWG	SHEET 张	
50.01 TO 80.00mm	±0.74mm			1 / 1	REV. 更改 1

1

2

3

4

5

6

7

X-ON Electronics

Largest Supplier of Electrical and Electronic Components

Click to view similar products for [Control Switches](#) category:

Click to view products by [Onpow](#) manufacturer:

Other Similar products are found below :

[80887-99](#) [80932-99](#) [86855-00](#) [88814-30](#) [89721-12](#) [89804-08](#) [EX0011-1](#) [SSN](#) [RL01801](#) [50051857-17](#) [50099156-001-05](#) [51.155R-15200](#)
[50058920-26](#) [KMK-PA](#) [RAL9005](#) [M16](#) [ACCU-SC/L-3000](#) [PORTAPRO](#) [CFPS-73-48M](#) [WEL.PT-O6](#) [WEL.PT-L8](#) [WEL.PT-K7](#) [WEL.PT-](#)
[H7](#) [WEL.PT-E9](#) [WEL.PT-D7](#) [WEL.PT-B7](#) [WEL.PT-AA9](#) [WEL.PT-AA8](#) [WEL.PT-A8](#) [WEL.LT-F](#) [WEL.LT-4](#) [WEL.LT-1LX](#) [WEL.LT-1L](#)
[WEL.ET-BB](#) [WEL.CT5B7](#) [WEL.51361699](#) [RGFRA1903041A1T](#) [PLC-60/75](#) [PLC-30/40](#) [PLC-24/30](#) [PLC-40/55](#) [LOC-MIKSER2](#) [8522808](#)
[CC-100N](#) [V8Y-11Z-Y](#) [V8Y-11Z-R](#) [V8Y-11Z-O](#) [V8Y-11Z-24R](#) [V8Y-11Z-24O](#) [V8Y-11Z-230B](#) [V8Y-11-230W](#) [V8Y-11-230O](#)