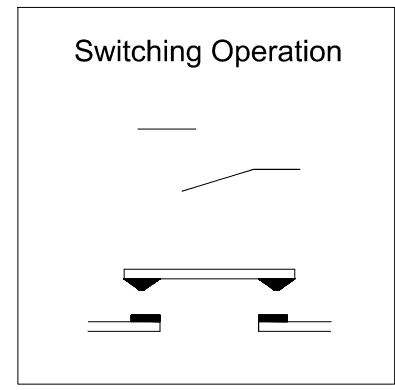
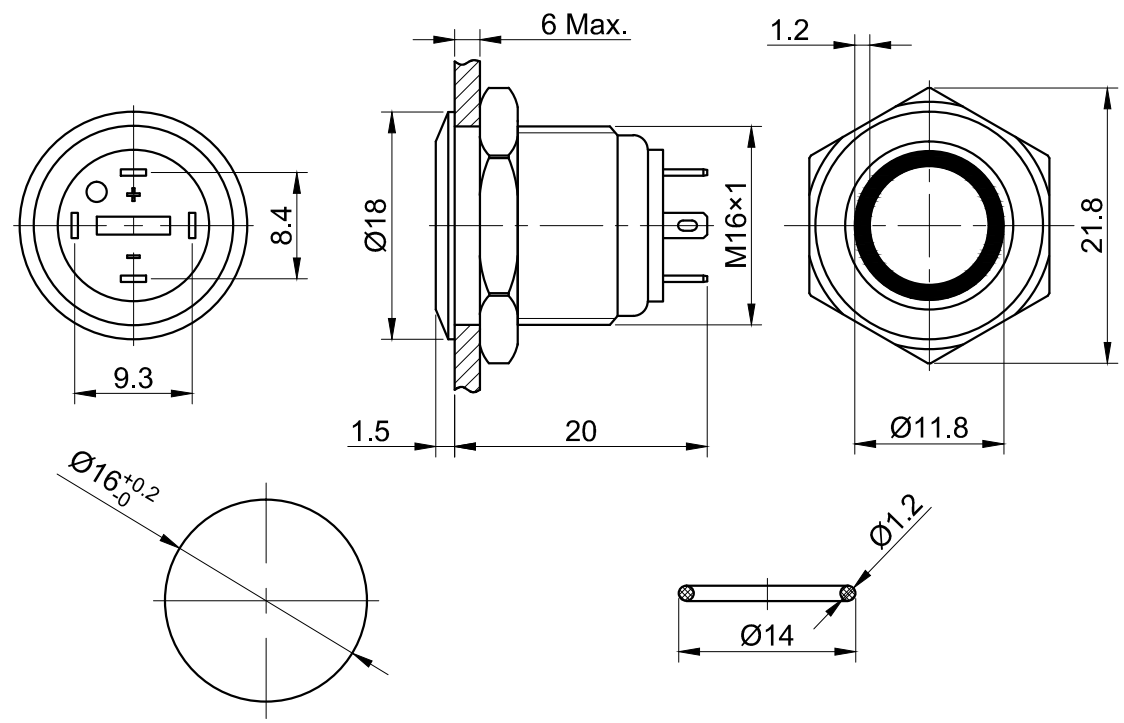


FOR 客户名称	APPROVED 客户确认签字	ATTN 销售负责人

The shaded part is illuminated



PANEL CUTOUT
MAX.PANEL THICKNESS
6 mm

Seal Ring

Part Number:GQ16F-10E/J/△/▲/◎

"△"	Lamp Color	"▲"	Lamp Voltage	"◎"	Crust Material
R	Red	6V	AC/DC 6V	A	Al alloy(Black)
G	Green	12V	AC/DC 12V	S	Stainless Steel
Y	Yellow	24V	AC/DC 24V		
B	Blue	220V	AC/DC 220V		
W	White				

SPECIFICATIONS:

- 1.Switch Rating: AC220V/0.5A, DC36V/2A.
- 2.Mechanical Life: ≥1,000,000cycles.
- 3.Electrical Life: ≥200,000cycles(DC36V);
≥50,000cycles(AC220V).
- 4.Contact Resistance: ≤50mΩ.
- 5.Insulation Resistance: ≥1,000MΩ.
- 6.Dielectric Strength: 1,500V, RMS 50Hz, 1min.
- 7.Operating Temperature: -25°C~ +55°C(No Freezing).
- 8.Operating Force: About 4N.
- 9.Operating Travel: About 2mm.
- 10.Torque: About 0.6Nm max.applied to nut.
- 11.Protection degree: IP65,IP67(made to order);IK08.
- 12.Terminal Type: Pin Terminal(2 x 0.5mm).

MATERIALS:

- 1.Contact: Silver alloy.
- 2.Button: ◎.
- 3.Body: ◎.
- 4.Base: PA.

BRAND 品牌 ONPOW		红波按钮制造有限公司 ONPOW PUSH BUTTON MANUFACTURE CO.,LTD.			
THESE DRAWINGS AND SPECIFICATIONS ARE THE PROPERTY OF ONPOW PUSH BUTTON MANUFACTURE CO.,LTD. AND SHALL NOT BE REPRODUCED COPIED OR USED IN ANY MANNER WITHOUT THE PRIOR WRITTEN CONSENT OF ONPOW PUSH BUTTON MANUFACTURE CO.,LTD.		USED 用途 APPD 审核 CH 2020/03/04	DR. 制图 ZPD 2020/03/04		
FINISH 处理 SCALE 比例 1.6 : 1 UNIT 单位 mm		CHKD 校对 NCH 2020/03/04		DR. 制图 ZPD 2020/03/04	
DIMENSIONS TOLERANCE 0.00 TO 18.00mm ±0.43mm 18.01 TO 30.00mm ±0.52mm 30.01 TO 50.00mm ±0.62mm 50.01 TO 80.00mm ±0.74mm		TITLE 名称 GQ Series Anti-vandal push button		SIZE 图纸 A4	
DWG NO. 图号 GQ16F-10E-J		FILE NAME 档案名称 GQ16-10EJ.DWG	SHEET 张 1 / 1	REV. 更改 1	1

X-ON Electronics

Largest Supplier of Electrical and Electronic Components

Click to view similar products for [Pushbutton Switches](#) category:

Click to view products by [Onpow](#) manufacturer:

Other Similar products are found below :

[8971K1133](#) [LW2L-M1C20M-A](#) [01-153.025](#) [M22-D-R-GB0/K11](#) [67021K512](#) [701PB580](#) [7199K101](#) [810K12910](#) [810KSV30B](#) [FLT 2U EE](#)
[01A](#) [MML21EA2ADK](#) [MML21KA3ABK](#) [MML23KW3AA01W](#) [8418K2](#) [8442K3](#) [8450K1](#) [860K11911T01A](#) [861901](#) [861K11911T01A07](#)
[861K13810T00A14](#) [861K13911](#) [8646AB6X718UL](#) [9533CD4+U574+U4922](#) [99-450.837](#) [99-453.837](#) [A2PMA1X03EC56](#) [A3A-7310](#) [A3A-](#)
[7340](#) [12037A2ULCSA](#) [1203A2UL](#) [ABGW410-R](#) [1211390004](#) [ABN400-R](#) [121382](#) [1213C3](#) [HE3B-M2](#) [1211500044](#) [121194](#) [1212MRA](#)
[1232A6NF](#) [121489](#) [1223A2ULCSA](#) [D5P-MT4](#) [13435AG](#) [13445AD29GX768](#) [AG23-L2](#) [AH165-2SGLG1TE3](#) [AH165-TGFY22](#) [AH165-](#)
[TGL5Y11E3](#) [AH165-TGLR11AA3](#)