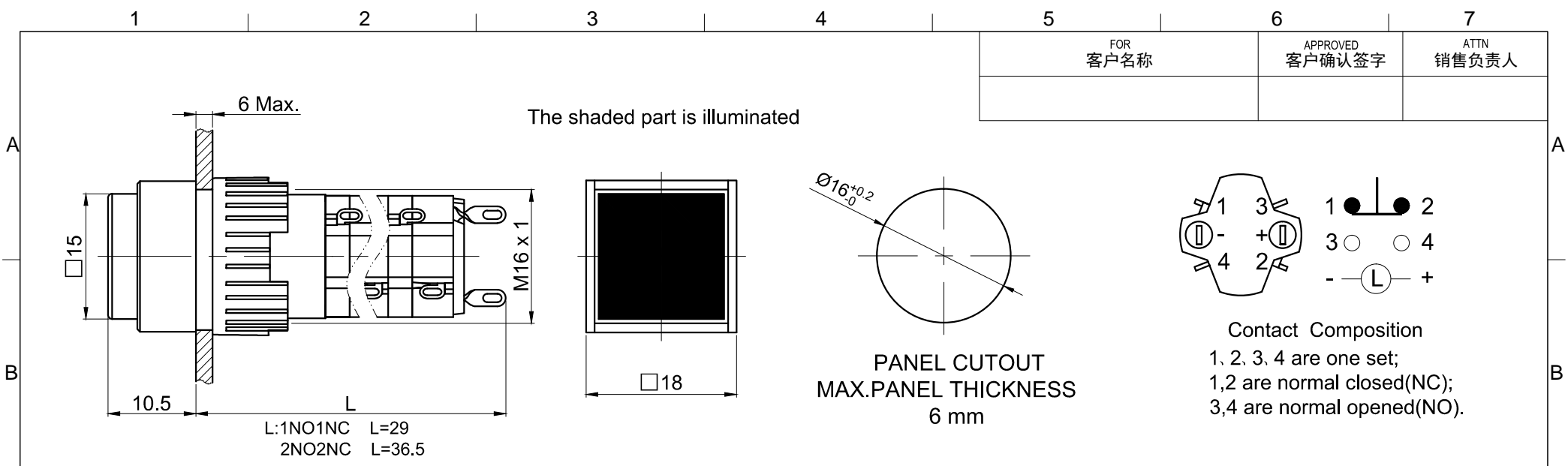


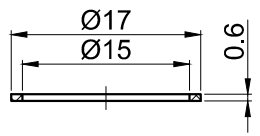
FOR 客户名称	APPROVED 客户确认签字	ATTN 销售负责人



L:1NO1NC L=29
2NO2NC L=36.5

PANEL CUTOUT
MAX.PANEL THICKNESS
6 mm

Contact Composition
1, 2, 3, 4 are one set;
1,2 are normal closed(NC);
3,4 are normal opened(NO).



Seal Ring

Part Number: LAS1F-□■/△/▲/◎

□	Contact structure	■	Operation mode	△	Cap or Lamp Color	▲	Lamp Voltage	◎	IP class
11	1NO1NC	No Letter	Momentary	R	Red	6V	AC/DC 6V	No Letter	IP40
22	2NO2NC	Z	Latching	G	Green	12V	AC/DC 12V	FP	IP67
				Y	Yellow	24V	AC/DC 24V		
				B	Blue	110V	AC/DC 110V (External resistor)		
				W	White	220V	AC/DC 220V (External resistor)		
Other voltage can be made to order									

SPECIFICATIONS:

- Switch Rating: AC220V/2A, DC220V/0.1A.
- Mechanical Life: Momentary ≥1,000,000cycles
Latching ≥500,000cycles.
- Electrical Life: ≥50,000cycles.
- Contact Resistance: ≤50mΩ.
- Insulation Resistance: ≥100MΩ.
- Dielectric Strength:
Between contact and lamp terminals: AC 2,000V, RMS 50Hz, 1min;
Between terminals of the same pole: AC 1,500V, RMS 50Hz, 1min;
Between terminals of different pole: AC 2,000V, RMS 50Hz, 1min.
- Operating Temperature: -25°C ~ +55°C (No Freezing).
- Operating Force: About 2N.
- Terminal Type: Pin Terminal (1.8 x 0.4mm), LED Pin (1.8 x 0.3mm).
- IP Class: IP40, IP67 (with a seal cover).

MATERIALS:

- Contact: Silver alloy.
- Button: PC.
- Body: PC.
- Base: UF.

BRAND 品牌 ONPOW	红波按钮制造有限公司 ONPOW PUSH BUTTON MANUFACTURE CO.,LTD.		
	USED 用途	APPD 审核 CH 2020/04/29	FINISH 处理
THESE DRAWINGS AND SPECIFICATIONS ARE THE PROPERTY OF ONPOW PUSH BUTTON MANUFACTURE CO.,LTD. AND SHALL NOT BE REPRODUCED COPIED OR USED IN ANY MANNER WITHOUT THE PRIOR WRITTEN CONSENT OF ONPOW PUSH BUTTON MANUFACTURE CO.,LTD.	SCALE 比例 1.5 / 1	UNIT 单位 mm	DR. 制图 ZPD 2020/04/29
DIMENSIONS 0.00 TO 18.00mm 18.01 TO 30.00mm 30.01 TO 50.00mm 50.01 TO 80.00mm	TOLERANCE ±0.43mm ±0.52mm ±0.62mm ±0.74mm	TITLE 名称 LAS1 Series pushbutton switch	
DWG NO. 图号 LAS1F带灯			SIZE 图纸 A4
FILE NAME 档案名称 LAS1F.DWG	SHEET 张 1 / 1	REV. 更改 1	

X-ON Electronics

Largest Supplier of Electrical and Electronic Components

Click to view similar products for [Pushbutton Switches](#) category:

Click to view products by [Onpow](#) manufacturer:

Other Similar products are found below :

[LW1L-M1C10V-A](#) [LW2L-A1C20M-GD](#) [LW2L-M1C20M-A](#) [60324L](#) [M7E-HRN2](#) [67021K512](#) [67081K512X](#) [701PB580](#) [719-5504-000](#)
[MDPSSGLFS](#) [810KSV30B](#) [MML23KA3AC05K-001](#) [MML23KW3AA01W](#) [8418K2](#) [8646AB6X718UL](#) [8646ABUL](#) [FSDWH](#) [9001KXRK](#)
[9001T8BK](#) [9533CD4+U574+U4922](#) [1203MRA](#) [A22EM01S](#) [A595](#) [1202A6](#) [12037A2ULCSA](#) [1203A2UL](#) [ABD122N-B](#) [1211390004](#)
[ABN111-Y](#) [1211500044](#) [1211580012](#) [1212MRA](#) [1232A6NF](#) [RA3CSH6A](#) [1241.1183.7047](#) [1241.2511](#) [1241.3428](#) [1223A2ULCSA](#)
[1223MRA](#) [1232AX2119](#) [1241.1183.8000](#) [1241.1183.8029](#) [1241.2506](#) [1241.2606](#) [12MA6](#) [1301940184](#) [RELBARF6X10\(PLASTIC\)](#)
[13435AG](#) [13440AD2G25X822+U4546](#) [13445A4GX768](#)