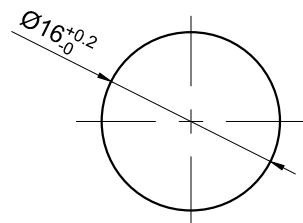
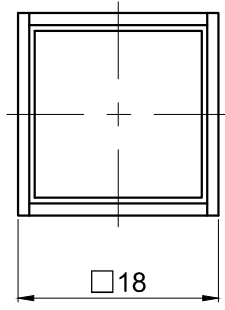
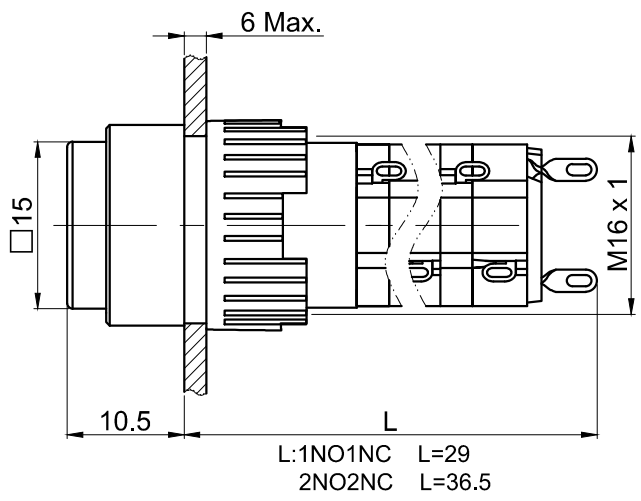
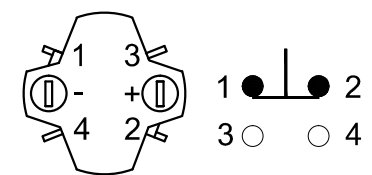


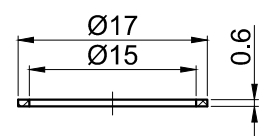
FOR 客户名称	APPROVED 客户确认签字	ATTN 销售负责人



PANEL CUTOUT
MAX.PANEL THICKNESS
6 mm



Contact Composition
1, 2, 3, 4 are one set;
1,2 are normal closed(NC);
3,4 are normal opened(NO).



Seal Ring

Part Number:LAS1F-□■/△/◎

"□"	Contact structure	"■"	Operation mode	"△"	Cap Color	"◎"	IP class
11	1NO1NC	No Letter	Momentary	R	Red	No Letter	IP40
22	2NO2NC	Z	Latching	G	Green	FP	IP67
				Y	Yellow		
				B	Blue		
				W	White		

SPECIFICATIONS:

- Switch Rating: AC220V/2A, DC220V/0.1A.
- Mechanical Life: Momentary $\geq 1,000,000$ cycles
Latching $\geq 500,000$ cycles.
- Electrical Life: $\geq 50,000$ cycles.
- Contact Resistance: $\leq 50m\Omega$.
- Insulation Resistance: $\geq 100M\Omega$.
- Dielectric Strength:
Between contact and lamp terminals:AC 2,000V, RMS 50Hz, 1min;
Between terminals of the same pole:AC 1,500V, RMS 50Hz, 1min;
Between terminals of different pole:AC 2,000V, RMS 50Hz, 1min.
- Operating Temperature: $-25^{\circ}C \sim +55^{\circ}C$ (No Freezing).
- Operating Force: About 2N.
- Terminal Type: Pin Terminal(1.8 x 0.4mm) .
- IP Class: IP40,IP67(with a seal cover).

MATERIALS:

- Contact: Silver alloy.
- Button: PC.
- Body: PC.
- Base: UF.

BRAND 品牌 ONPOW	红波按钮制造有限公司 ONPOW PUSH BUTTON MANUFACTURE CO.,LTD.		
	USED 用途	APPD 审核	CH 2020/04/29
THESE DRAWINGS AND SPECIFICATIONS ARE THE PROPERTY OF ONPOW PUSH BUTTON MANUFACTURE CO.,LTD. AND SHALL NOT BE REPRODUCED COPIED OR USED IN ANY MANNER WITHOUT THE PRIOR WRITTEN CONSENT OF ONPOW PUSH BUTTON MANUFACTURE CO.,LTD.	FINISH 处理	CHKD 校对	NCH 2020/04/29
	SCALE 比例	UNIT 单位	DR. 制图
DIMENSIONS	TOLERANCE	TITLE 名称	LAS1 Series pushbutton switch
0.00 TO 18.00mm	$\pm 0.43mm$	DWG NO. 图号	LAS1F不带灯
18.01 TO 30.00mm	$\pm 0.52mm$	FILE NAME 档案名称	LAS1F.DWG
30.01 TO 50.00mm	$\pm 0.62mm$	SHEET 张	1 / 1
50.01 TO 80.00mm	$\pm 0.74mm$	REV. 更改	1
		SIZE 图纸	A4

X-ON Electronics

Largest Supplier of Electrical and Electronic Components

Click to view similar products for [Pushbutton Switches](#) category:

Click to view products by [Onpow](#) manufacturer:

Other Similar products are found below :

[LW1L-M1C10V-A](#) [LW2L-A1C20M-GD](#) [LW2L-M1C20M-A](#) [60324L](#) [M7E-HRN2](#) [67021K512](#) [67081K512X](#) [701PB580](#) [719-5504-000](#)
[MDPSSGLFS](#) [810KSV30B](#) [FLT 2U EE 01A](#) [MML21KA3ABK](#) [MML23KA3AC05K-001](#) [MML23KW3AA01W](#) [8418K2](#) [8646AB6X718UL](#)
[8646ABUL](#) [FSDWH](#) [9001KXRK](#) [9001T8BK](#) [9533CD4+U574+U4922](#) [1203MRA](#) [A22EM01S](#) [A595](#) [1202A6](#) [12037A2ULCSA](#) [1203A2UL](#)
[ABD122N-B](#) [1211390004](#) [ABN111-Y](#) [ABN400-R](#) [1211500044](#) [1211580012](#) [1212MRA](#) [1232A6NF](#) [RA3CSH6A](#) [1241.1183.7047](#)
[1241.2511](#) [1241.3428](#) [1223A2ULCSA](#) [1223MRA](#) [1232AX2119](#) [1241.1183.8000](#) [1241.1183.8029](#) [1241.2506](#) [1241.2606](#) [12MA6](#)
[1301940184](#) [RELBARF6X10\(PLASTIC\)](#)