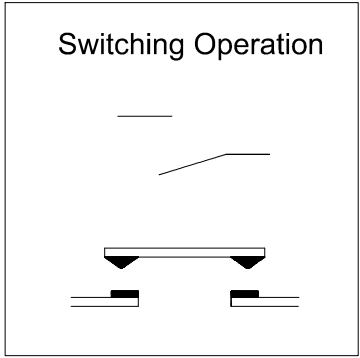
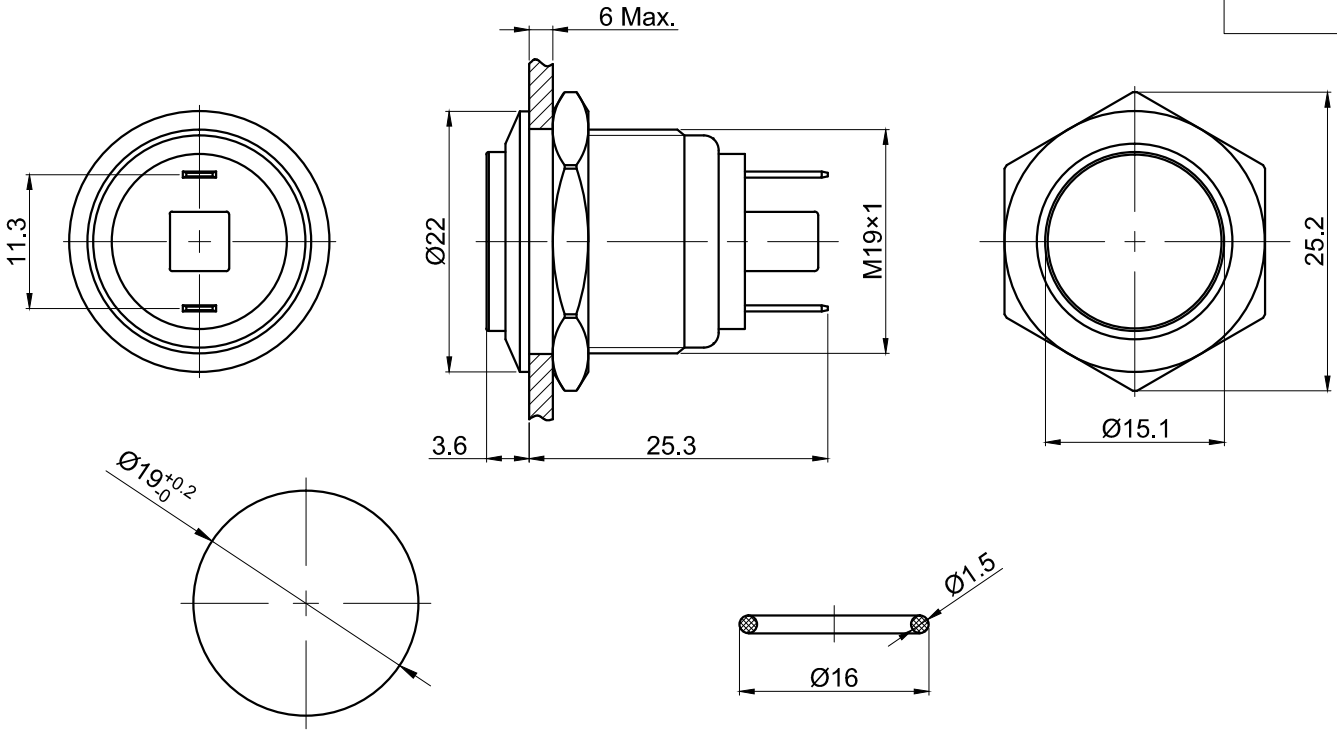


5	6	7
FOR 客户名称	APPROVED 客户确认签字	ATTN 销售负责人



PANEL CUTOUT
MAX.PANEL THICKNESS
6 mm

Seal Ring

Part Number:GQ19H-10/J/◎

"◎"	Crust Material
N	Nickel Plated Brass
S	Stainless Steel
A	Al alloy(black)
G	Gold Plated Brass

SPECIFICATIONS:

- 1.Switch Rating: AC220V/0.5A, DC36V/2A.
- 2.Mechanical Life: $\geq 1,000,000$ cycles.
- 3.Electrical Life: $\geq 200,000$ cycles(DC36V);
 $\geq 50,000$ cycles(AC220V).
- 4.Contact Resistance: $\leq 50\text{m}\Omega$.
- 5.Insulation Resistance: $\geq 1,000\text{M}\Omega$.
- 6.Dielectric Strength: 1,500V, RMS 50Hz, 1min.
- 7.Operating Temperature: $-25^{\circ}\text{C} \sim +55^{\circ}\text{C}$ (No Freezing).
- 8.Operating Force: About 4N.
- 9.Operating Travel: About 1.8mm.
- 10.Torque: About 0.8Nm max.applied to nut.
- 11.Protection degree: IP65;IK09.
- 12.Terminal Type: Pin Terminal(2.8 x 0.5mm).

MATERIALS:

- 1.Contact: Silver alloy.
- 2.Button: ◎.
- 3.Body: ◎.
- 4.Base: PBT.

BRAND 品牌 ONPOW		红波按钮制造有限公司 ONPOW PUSH BUTTON MANUFACTURE CO.,LTD.			
THESE DRAWINGS AND SPECIFICATIONS ARE THE PROPERTY OF ONPOW PUSH BUTTON MANUFACTURE CO.,LTD. AND SHALL NOT BE REPRODUCED COPIED OR USED IN ANY MANNER WITHOUT THE PRIOR WRITTEN CONSENT OF ONPOW PUSH BUTTON MANUFACTURE CO.,LTD.		USED 用途	APPD 审核	CH 2020/03/04	
		FINISH 处理	CHKD 校对	NCH 2020/03/04	
		SCALE 比例	UNIT 单位	DR. 制图	ZPD 2020/03/04
		TITLE 名称	GQ Series Anti-vandal push button		
DIMENSIONS	TOLERANCE	DWG NO. 图号	GQ19H-10-J(cxd)		
0.00 TO 18.00mm	$\pm 0.43\text{mm}$	档案名称	GQ19-J.DWG		
18.01 TO 30.00mm	$\pm 0.52\text{mm}$	SHEET 张	1 / 1	REV. 更改	
30.01 TO 50.00mm	$\pm 0.62\text{mm}$	1	1	1	
50.01 TO 80.00mm	$\pm 0.74\text{mm}$				
		SIZE 图纸	A4		

X-ON Electronics

Largest Supplier of Electrical and Electronic Components

Click to view similar products for [Control Switches](#) category:

Click to view products by [Onpow](#) manufacturer:

Other Similar products are found below :

[80887-99](#) [80932-99](#) [86855-00](#) [88814-30](#) [89721-12](#) [89804-08](#) [EX0011-1](#) [SSN](#) [RL01801](#) [50051857-17](#) [50099156-001-05](#) [51.155R-15200](#)
[50058920-26](#) [KMK-PA](#) [RAL9005](#) [M16](#) [ACCU-SC/L-3000](#) [PORTAPRO](#) [CFPS-73-48M](#) [WEL.PT-O6](#) [WEL.PT-L8](#) [WEL.PT-K7](#) [WEL.PT-](#)
[H7](#) [WEL.PT-E9](#) [WEL.PT-D7](#) [WEL.PT-B7](#) [WEL.PT-AA9](#) [WEL.PT-AA8](#) [WEL.PT-A8](#) [WEL.LT-F](#) [WEL.LT-4](#) [WEL.LT-1LX](#) [WEL.LT-1L](#)
[WEL.ET-BB](#) [WEL.CT5B7](#) [WEL.51361699](#) [RGFRA1903041A1T](#) [PLC-60/75](#) [PLC-30/40](#) [PLC-24/30](#) [PLC-40/55](#) [LOC-MIKSER2](#) [8522808](#)
[CC-100N](#) [V8Y-11Z-Y](#) [V8Y-11Z-R](#) [V8Y-11Z-O](#) [V8Y-11Z-24R](#) [V8Y-11Z-24O](#) [V8Y-11Z-230B](#) [V8Y-11-230W](#) [V8Y-11-230O](#)