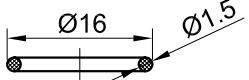
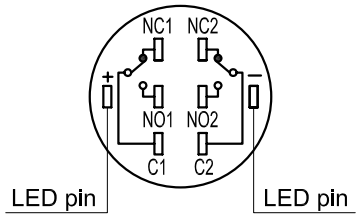
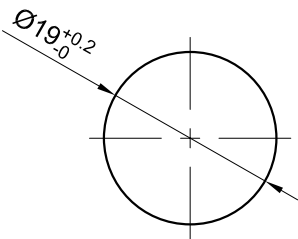
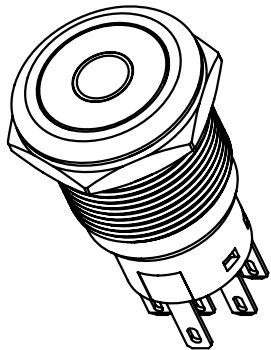
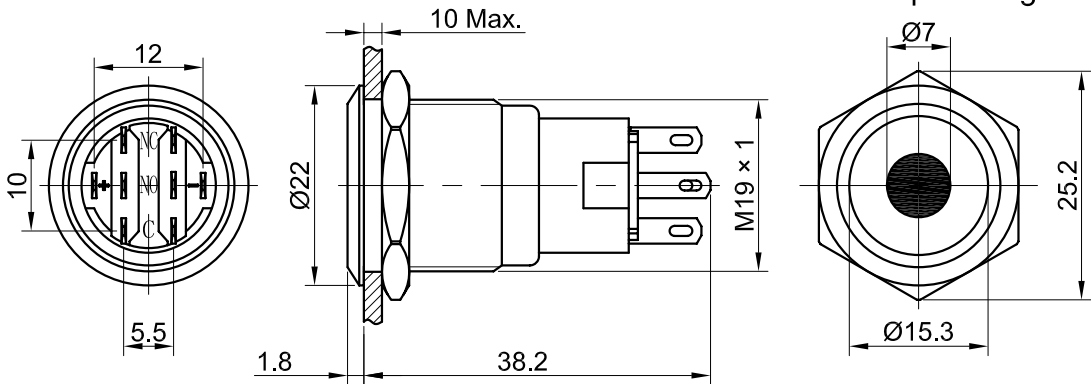


FOR 客户名称	APPROVED 客户确认签字	ATTN 销售负责人



Part Number: LAS1-AGQ-□ ■ D/△/▲/◎

"□"	Contact structure
11	1NO 1NC
22	2NO 2NC

"■"	Operation mode	"△"	Cap or Lamp Color	"▲"	Lamp voltage
No Letter	Momentary	R	Red	6V	AC/DC 6V
Z	Latching	G	Green	12V	AC/DC 12V
"◎"	Crust Material	Y	Yellow	24V	AC/DC 24V
N	Nickel Plated Brass	O	Orange	110V	AC/DC 110V
S	Stainless Steel	B	Blue	220V	AC/DC 220V
A	Brass(Black)	W	White	Other voltage can be made to order	

SPECIFICATIONS:

- 1.Switch Rating: AC220V/0.5A, DC110V/0.1A.
- 2.Mechanical Life: ≥1,000,000cycles.
- 3.Electrical Life: ≥50,000cycles.
- 4.Contact Resistance: ≤50mΩ.
- 5.Insulation Resistance: ≥1,000MΩ.
- 6.Dielectric Strength: 1,500V, RMS 50Hz , 1min.
- 7.Operating Temperature: -25℃ ~ +55℃(No Freezing).
- 8.Operating Force: About 2N(1NO1NC),About 3N(2NO2NC).
- 9.Operating Travel: About 3.1mm.
- 10.Torque: About 0.6Nm max.applied to nut.
- 11.IP Class: IP67.
- 12.Terminal Type: Pin Terminal(2.8 x 0.5mm).

MATERIALS:

- 1.Contact: Silver alloy.
- 2.Button: ◎.
- 3.Body: ◎.
- 4.Base: PBT.

THESE DRAWINGS AND SPECIFICATIONS ARE THE PROPERTY OF ONPOW PUSH BUTTON MANUFACTURE CO.,LTD. AND SHALL NOT BE REPRODUCED COPIED OR USED IN ANY MANNER WITHOUT THE PRIOR WRITTEN CONSENT OF ONPOW PUSH BUTTON MANUFACTURE CO.,LTD.

DIMENSIONS	TOLERANCE
0.00 至 18.00mm	±0.43mm
18.01 至 30.00mm	±0.52mm
30.01 至 50.00mm	±0.62mm
50.01 至 80.00mm	±0.74mm

红波按钮制造有限公司
ONPOW PUSH BUTTON MANUFACTURE CO.,LTD.

USED 用途	APPD 审核	CH 2018/03/30
FINISH 处理	CHKD 校对	NCH 2018/03/30
SCALE 比例	DR. 制图	ZPD 2018/03/30

TITLE 名称	Anti-vandal push button	
DWG NO. 图号	LAS1-AGQ-D	
FILE NAME 档案名称	LAS1-AGQ-D.DWG	SHEET 张
		1 / 1
		REV. 更改
		1

SIZE
图纸 A4

X-ON Electronics

Largest Supplier of Electrical and Electronic Components

Click to view similar products for [Control Switches](#) category:

Click to view products by [Onpow](#) manufacturer:

Other Similar products are found below :

[80887-99](#) [80932-99](#) [86855-00](#) [88814-30](#) [89721-12](#) [89804-08](#) [EX0011-1](#) [SSN](#) [RL01801](#) [50051857-17](#) [50099156-001-05](#) [51.155R-15200](#)
[50058920-26](#) [KMK-PA](#) [RAL9005](#) [M16](#) [ACCU-SC/L-3000](#) [PORTAPRO](#) [CFPS-73-48M](#) [WEL.PT-O6](#) [WEL.PT-L8](#) [WEL.PT-K7](#) [WEL.PT-](#)
[H7](#) [WEL.PT-E9](#) [WEL.PT-D7](#) [WEL.PT-B7](#) [WEL.PT-AA9](#) [WEL.PT-AA8](#) [WEL.PT-A8](#) [WEL.LT-F](#) [WEL.LT-4](#) [WEL.LT-1LX](#) [WEL.LT-1L](#)
[WEL.ET-BB](#) [WEL.CT5B7](#) [WEL.51361699](#) [RGFRA1903041A1T](#) [PLC-60/75](#) [PLC-30/40](#) [PLC-24/30](#) [PLC-40/55](#) [LOC-MIKSER2](#) [8522808](#)
[CC-100N](#) [V8Y-11Z-Y](#) [V8Y-11Z-R](#) [V8Y-11Z-O](#) [V8Y-11Z-24R](#) [V8Y-11Z-24O](#) [V8Y-11Z-230B](#) [V8Y-11-230W](#) [V8Y-11-230O](#)