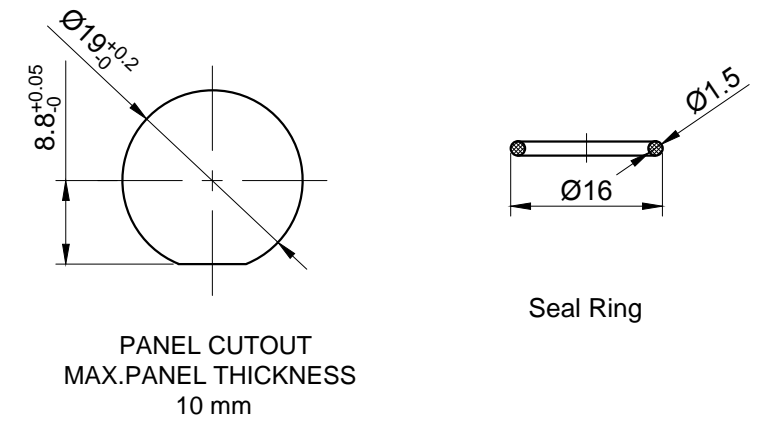


5	FOR 客户名称	6	APPROVED 客户确认签字	7	ATTN 销售负责人



Contact Composition

Operation Position	Switch Type	90° Two Position			
		1NO1NC		2NO2NC	
↖		NO NC	NO NC	NO NC	NO NC
		Left C	Right C	Left C	Right C
↗		NO NC	NO NC	NO NC	NO NC
		Left C	Right C	Left C	Right C

Part Number: LAS1-AGQ-□Y/◆●/S

□	Contact structure	◆	Operation position	●	Operation type
11	1NO 1NC	2	Two Position ↖↗	1	Maintain ↖↗
22	2NO 2NC			3	Return ↖↗

SPECIFICATIONS:

- 1.Switch Rating: AC220V/0.5A, DC110V/0.1A.
- 2.Mechanical Life: ≥200,000cycles.
- 3.Electrical Life: ≥50,000cycles.
- 4.Contact Resistance: ≤50mΩ.
- 5.Insulation Resistance: ≥1,000MΩ.
- 6.Dielectric Strength: 1,500V, RMS 50Hz, 1min.
- 7.Operating Temperature: -25°C~ +55°C(No Freezing).
- 8.Torque: About 0.8Nm max.applied to nut.
- 9.IP Class: IP40,IP65(Maintain can made to order).
- 10.Terminal Type: Pin Terminal(2.8 x 0.5mm).

MATERIALS:

- 1.Contact: Silver alloy.
- 2.Head: Stainless Steel.
- 3.Body: Stainless Steel.
- 4.Base: PBT.

BRAND 品牌 ONPOW		红波按钮制造有限公司 ONPOW PUSH BUTTON MANUFACTURE CO.,LTD.					
THESE DRAWINGS AND SPECIFICATIONS ARE THE PROPERTY OF ONPOW PUSH BUTTON MANUFACTURE CO.,LTD. AND SHALL NOT BE REPRODUCED COPIED OR USED IN ANY MANNER WITHOUT THE PRIOR WRITTEN CONSENT OF ONPOW PUSH BUTTON MANUFACTURE CO.,LTD.		USED 用途		APPD 审核 CH 2020/04/30			
		FINISH 处理		CHKD 校对 NCH 2020/04/30			
		SCALE 比例 1.2 / 1		UNIT 单位 mm		DR. 制图 ZPD 2020/04/30	
DIMENSIONS		TOLERANCE		TITLE 名称 GQ Series Anti-vandal push button			
0.00 TO 18.00mm		±0.43mm		DWG NO. 图号 LAS1-AGQ-Y (二位置)			
18.01 TO 30.00mm		±0.52mm				SIZE 图纸 A4	
30.01 TO 50.00mm		±0.62mm					
50.01 TO 80.00mm		±0.74mm					
FILE NAME 档案名称 LAS1-AGQ-Y.DWG		SHEET 张 1 / 1		REV. 更改 1			

X-ON Electronics

Largest Supplier of Electrical and Electronic Components

Click to view similar products for [Control Switches](#) category:

Click to view products by [Onpow](#) manufacturer:

Other Similar products are found below :

[80887-99](#) [80932-99](#) [86855-00](#) [88814-30](#) [89721-12](#) [89804-08](#) [EX0011-1](#) [SSN](#) [RL01801](#) [50051857-17](#) [50099156-001-05](#) [51.155R-15200](#)
[50058920-26](#) [KMK-PA](#) [RAL9005](#) [M16](#) [ACCU-SC/L-3000](#) [PORTAPRO](#) [CFPS-73-48M](#) [WEL.PT-O6](#) [WEL.PT-L8](#) [WEL.PT-K7](#) [WEL.PT-](#)
[H7](#) [WEL.PT-E9](#) [WEL.PT-D7](#) [WEL.PT-B7](#) [WEL.PT-AA9](#) [WEL.PT-AA8](#) [WEL.PT-A8](#) [WEL.LT-F](#) [WEL.LT-4](#) [WEL.LT-1LX](#) [WEL.LT-1L](#)
[WEL.ET-BB](#) [WEL.CT5B7](#) [WEL.51361699](#) [RGFRA1903041A1T](#) [PLC-60/75](#) [PLC-30/40](#) [PLC-24/30](#) [PLC-40/55](#) [LOC-MIKSER2](#) [8522808](#)
[CC-100N](#) [V8Y-11Z-Y](#) [V8Y-11Z-R](#) [V8Y-11Z-O](#) [V8Y-11Z-24R](#) [V8Y-11Z-24O](#) [V8Y-11Z-230B](#) [V8Y-11-230W](#) [V8Y-11-230O](#)