



2SD1835

Bipolar Transistor 50V, 2A, Low VCE(sat), NPN Single NP

ON Semiconductor®
<http://onsemi.com>

Applications

- Voltage regulators, relay drivers, lamp drivers, electrical equipment

Features

- Adoption of FBET, MBIT processes
- Low collector-to-emitter saturation voltage
- Large current capacity
- Fast switching time

Specifications

Absolute Maximum Ratings at Ta=25°C

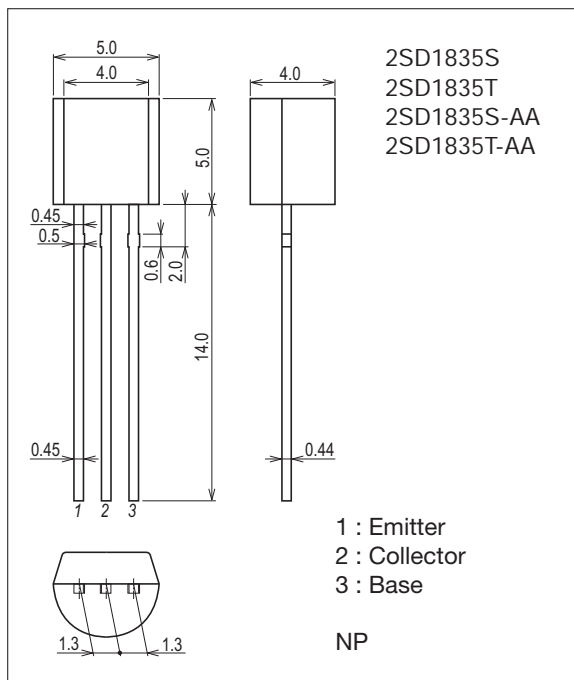
Parameter	Symbol	Conditions	Ratings	Unit
Collector-to-Base Voltage	VCBO		60	V
Collector-to-Emitter Voltage	VCEO		50	V
Emitter-to-Base Voltage	VEBO		6	V
Collector Current	IC		2	A
Collector Current (Pulse)	ICP		3	A
Collector Dissipation	PC		0.75	W
Junction Temperature	Tj		150	°C
Storage Temperature	Tstg		-55 to +150	°C

Stresses exceeding Maximum Ratings may damage the device. Maximum Ratings are stress ratings only. Functional operation above the Recommended Operating Conditions is not implied. Extended exposure to stresses above the Recommended Operating Conditions may affect device reliability.

Package Dimensions

unit : mm (typ)

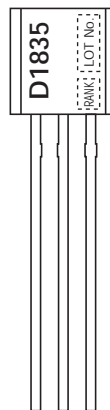
7522-002



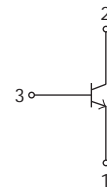
Product & Package Information

- Package : NP
- JEITA, JEDEC : SC-34A, TO-92, TO-226AA, SOT-54
- Minimum Packing Quantity : 1,500 pcs./box, 500pcs./bag

Marking



Electrical Connection



2SD1835

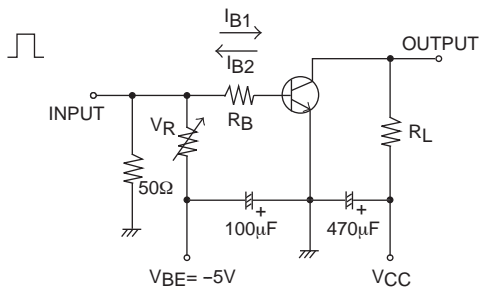
Electrical Characteristics at Ta=25°C

Parameter	Symbol	Conditions	Ratings			Unit
			min	typ	max	
Collector Cutoff Current	ICBO	V _{CB} =50V, I _E =0A			100	nA
Emitter Cutoff Current	I _{EBO}	V _{EB} =4V, I _C =0A			100	nA
DC Current Gain	h _{FE1}	V _{CE} =2V, I _C =100mA	100*		560*	
	h _{FE2}	V _{CE} =2V, I _C =1.5A	40			
Gain-Bandwidth Product	f _T	V _{CE} =10V, I _C =50mA		150		MHz
Output Capacitance	C _{ob}	V _{CB} =10V, f=1MHz		12		pF
Collector-to-Emitter Saturation Voltage	V _{CE(sat)}	I _C =1A, I _B =50mA		0.15	0.4	V
Base-to-Emitter Saturation Voltage	V _{BE(sat)}	I _C =1A, I _B =50mA		0.9	1.2	V
Collector-to-Base Breakdown Voltage	V _{(BR)CBO}	I _C =10μA, I _E =0A	60			V
Collector-to-Emitter Breakdown Voltage	V _{(BR)CEO}	I _C =1mA, R _{BE} =∞	50			V
Emitter-to-Base Breakdown Voltage	V _{(BR)EBO}	I _E =10μA, I _C =0A	6			V
Turn-ON Time	t _{on}	See specified Test Circuit.		60		ns
Storage Time	t _{stg}			550		ns
Fall Time	t _f			30		ns

* : The 2SD1835 is classified by 100mA h_{FE} as follows :

Rank	R	S	T	U
h _{FE}	100 to 200	140 to 280	200 to 400	280 to 560

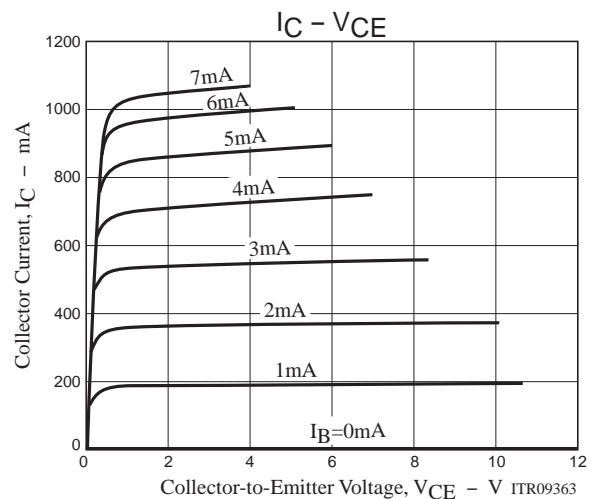
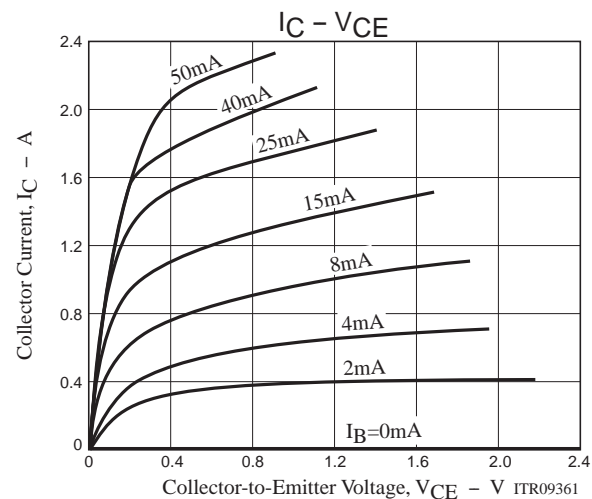
Switching Time Test Circuit

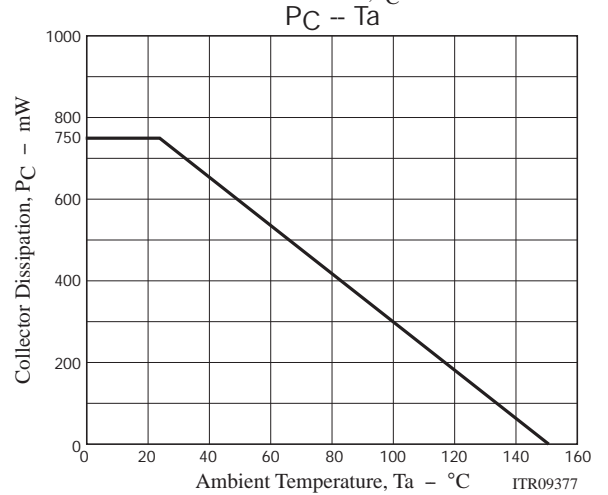
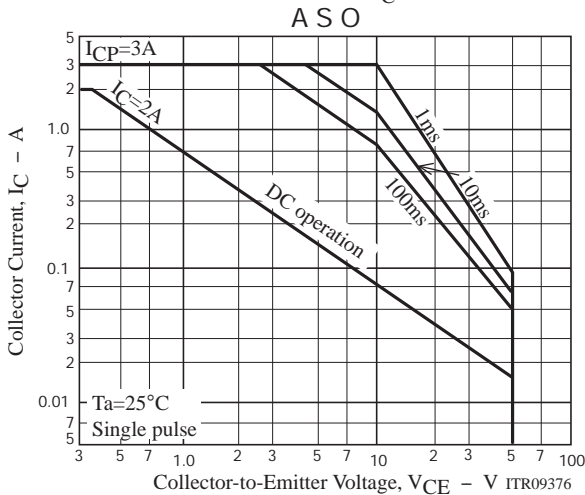
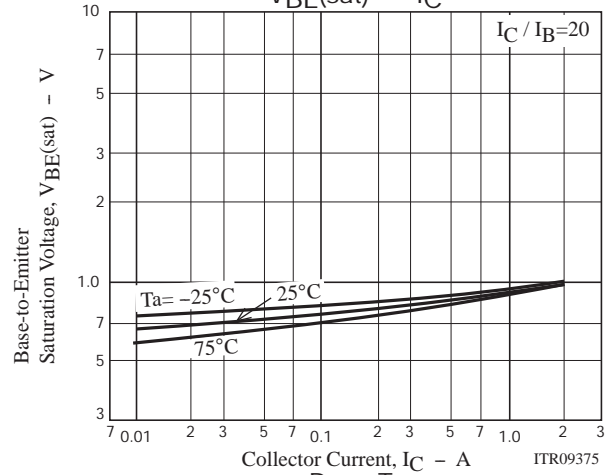
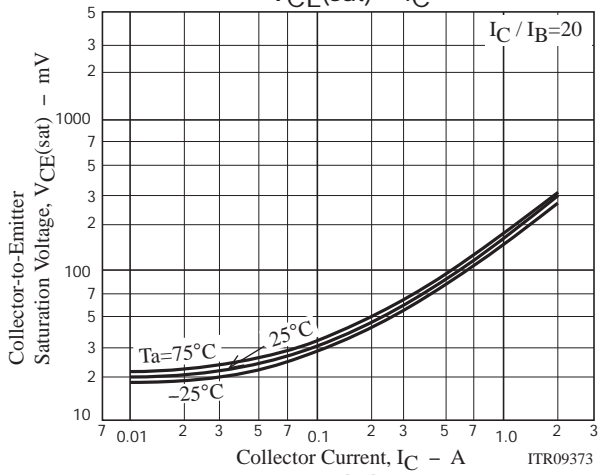
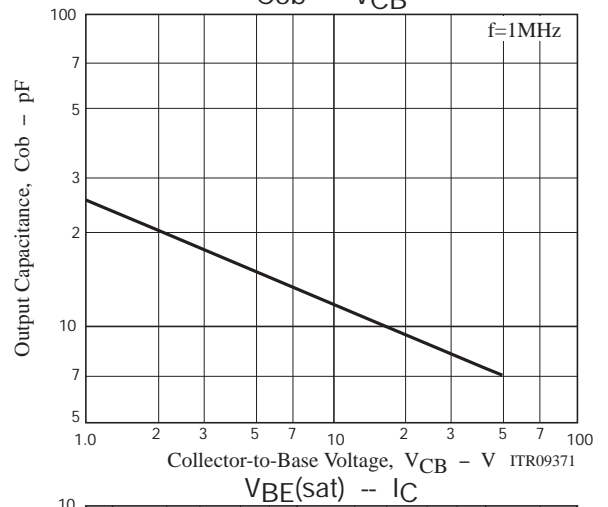
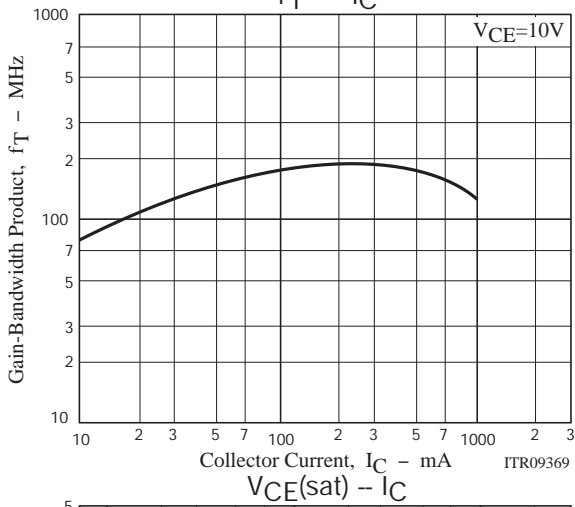
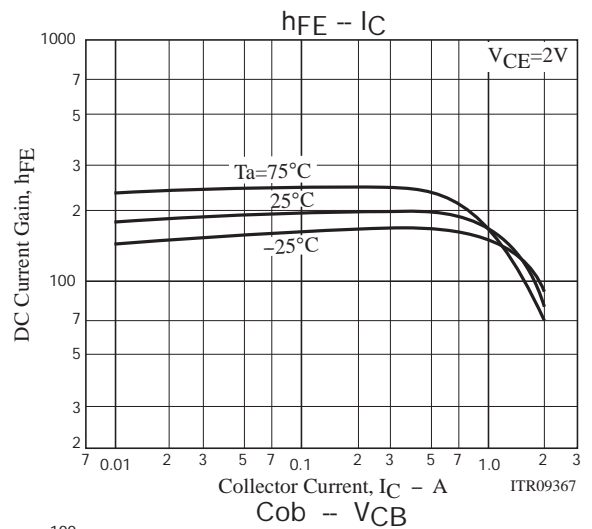
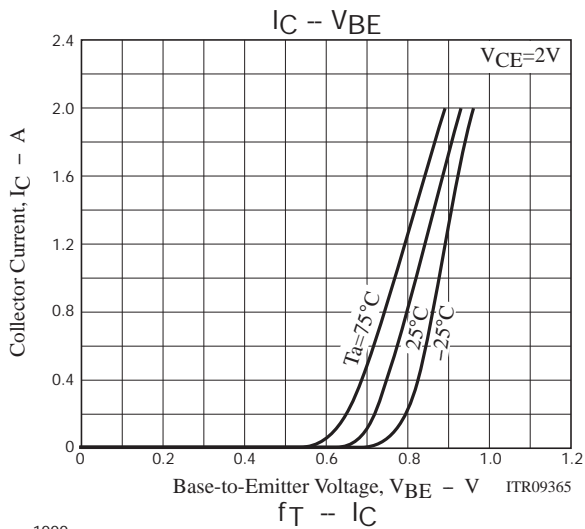


$$I_C = 10I_{B1} = -10I_{B2} = 500\text{mA}, V_{CC} = 25\text{V}$$

Ordering Information

Device	Package	Shipping	memo
2SD1835S	NP	500pcs./bag	Pb Free
2SD1835T	NP	500pcs./bag	
2SD1835S-AA	NP	1,500pcs./box	
2SD1835T-AA	NP	1,500pcs./box	





Taping Specification

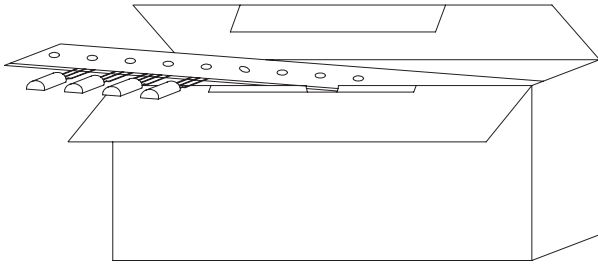
2SD1835S-AA, 2SD1835T-AA

1. Packing Format

Package Name	Packing Type	Maximum Number of devices contained (pcs)		Packing format
		Inner BOX (C-2)	number of contained	
N P	A A	Dimensions:mm (external) 330×45×145	1,500	16 inner boxes contained (24,000pcs) Dimensions:mm (external) 585×345×200

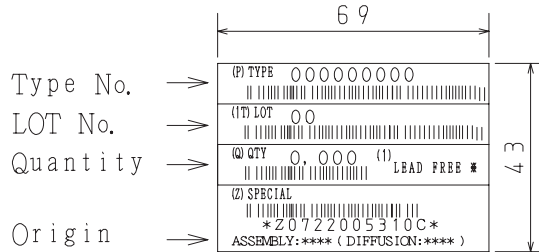
Packing method

Put zigzag folding in an inner box.



Inner box label

(unit:mm)



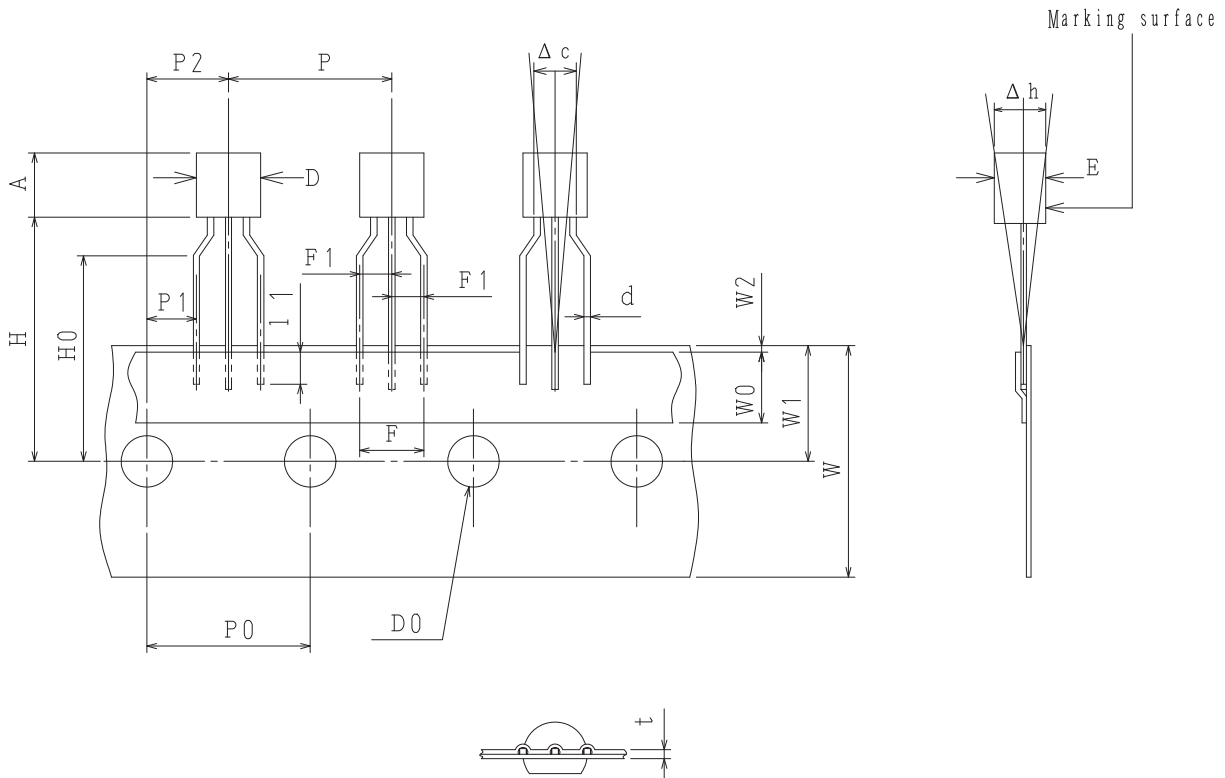
NOTE (1)

The LEAD FREE * description shows that the surface treatment of the terminal is lead free.

Label	JEITA Phase
LEAD FREE 3	JEITA Phase 3A
LEAD FREE 4	JEITA Phase 3

2. Taping specifications

2-1. Carrier tape size



2-2. Taping size standard

unit:mm

Item	Symbol	Standard	Tolerance	
Work piece outside diameter	D	5.0	± 0.2	
	E	4.0	± 0.2	
Work piece height	A	5.0	± 0.2	
Lead wire diameter	d	0.45x0.44t	± 0.1	
Bonded lead wire	l ₁	2.0MIN		
Pitch between products	P	12.7	± 0.5	
Pitch between perforations	P ₀	12.7	± 0.2	
Distance between lead wire	F	5.0	$\begin{matrix} +0.8 \\ -0.2 \end{matrix}$	
Lead wire pitch distance	F ₁	2.5	$\begin{matrix} +0.2 \\ -0.1 \end{matrix}$	
Product inclination	Δh	0	± 2.0	
Displacement of perforations	P ₁	3.85	± 0.3	Measurement position is the bottom of the clinch
	P ₂	6.35	± 0.3	
Displacement of tape	W ₂	0.5MAX		Not to be displaced to the outside of the board
Tape width	W	18.0	$\begin{matrix} +1.0 \\ -0.5 \end{matrix}$	
Adhesive tape	W ₀	6.0	± 1.5	
Displacement of perforations	W ₁	9.0	± 0.5	
Work piece bottom surface position	H	19.0	± 1.0	
Insert stopper position	H ₀	16.0	± 0.5	
Work piece upper limit position	H ₁	24.5	± 1.5	
Perforations diameter	D ₀	$\phi 4.0$	± 0.2	
Tape thickness	t	0.6	± 0.2	
Product inclination	Δc	0	± 1.0	

Bag Packing Specification

2SD1835S, 2SD1835T

1. Packing condition

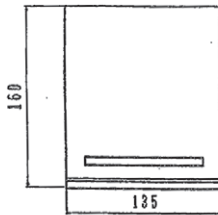
Storage package outline name	Maximum number of devices contained (pcs.)		Packing condition	
	Bags	Inner box	Devices contained	Outer box (A-1)
NP	500	B-1 Inner box dimensions : mm (external) 445×225×55	10,000	5 inner boxes contained 50,000 Outer box dimensions : mm (external) 470 × 250 × 300
				3 inner boxes contained 30,000 Outer box dimensions : mm (external) 470 × 250 × 190

3. Bar code label

(Unit : mm)

2. Bag dimensions

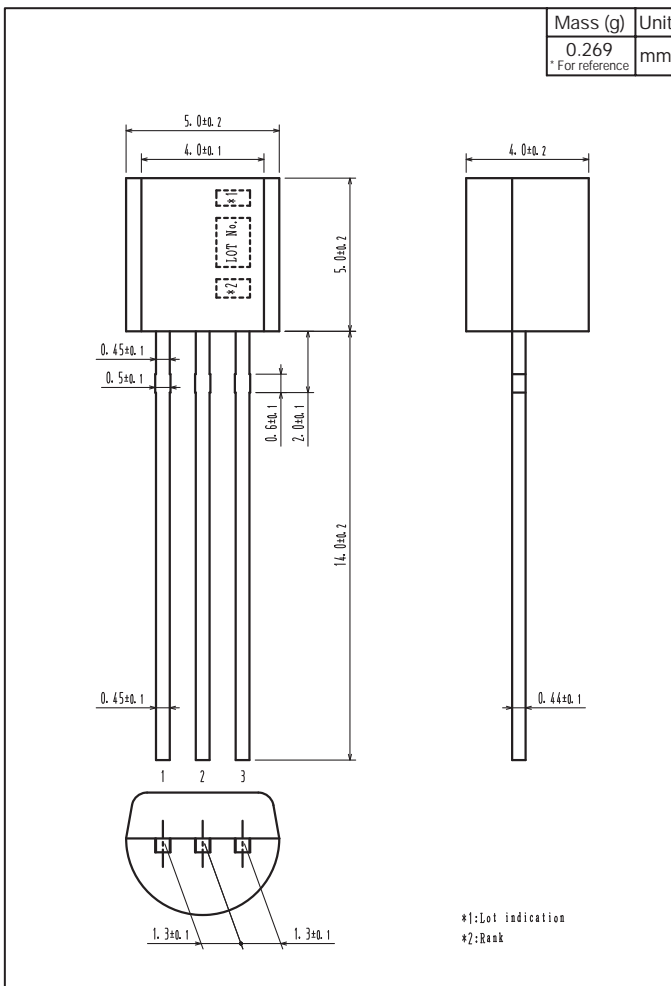
(Unit : mm)



*LEAD FREE 1 :
Lead-free External terminal surface
treatment product.

Outline Drawing

2SD1835S, 2SD1835T



ON Semiconductor and the ON logo are registered trademarks of Semiconductor Components Industries, LLC (SCILLC). SCILLC owns the rights to a number of patents, trademarks, copyrights, trade secrets, and other intellectual property. A listing of SCILLC's product/patent coverage may be accessed at www.onsemi.com/site/pdf/Patent-Marking.pdf. SCILLC reserves the right to make changes without further notice to any products herein. SCILLC makes no warranty, representation or guarantee regarding the suitability of its products for any particular purpose, nor does SCILLC assume any liability arising out of the application or use of any product or circuit, and specifically disclaims any and all liability, including without limitation special, consequential or incidental damages. "Typical" parameters which may be provided in SCILLC data sheets and/or specifications can and do vary in different applications and actual performance may vary over time. All operating parameters, including "Typicals" must be validated for each customer application by customer's technical experts. SCILLC does not convey any license under its patent rights nor the rights of others. SCILLC products are not designed, intended, or authorized for use as components in systems intended for surgical implant into the body, or other applications intended to support or sustain life, or for any other application in which the failure of the SCILLC product could create a situation where personal injury or death may occur. Should Buyer purchase or use SCILLC products for any such unintended or unauthorized application, Buyer shall indemnify and hold SCILLC and its officers, employees, subsidiaries, affiliates, and distributors harmless against all claims, costs, damages, and expenses, and reasonable attorney fees arising out of, directly or indirectly, any claim of personal injury or death associated with such unintended or unauthorized use, even if such claim alleges that SCILLC was negligent regarding the design or manufacture of the part. SCILLC is an Equal Opportunity/Affirmative Action Employer. This literature is subject to all applicable copyright laws and is not for resale in any manner.

X-ON Electronics

Largest Supplier of Electrical and Electronic Components

Click to view similar products for [Bipolar Transistors - BJT category](#):

Click to view products by [ON Semiconductor manufacturer](#):

Other Similar products are found below :

[619691C](#) [MCH4017-TL-H](#) [BC546/116](#) [BC557/116](#) [BSW67A](#) [NTE158](#) [NTE187A](#) [NTE195A](#) [NTE2302](#) [NTE2330](#) [NTE63](#) [C4460](#)
[2SA1419T-TD-H](#) [2SA1721-O\(TE85L,F\)](#) [2SA2126-E](#) [2SB1204S-TL-E](#) [2SC5488A-TL-H](#) [2SD2150T100R](#) [SP000011176](#) [FMMTA92QTA](#)
[2N2369ADCSM](#) [2SC2412KT146S](#) [2SC5490A-TL-H](#) [2SD1816S-TL-E](#) [2SD1816T-TL-E](#) [CMXT2207 TR](#) [CPH6501-TL-E](#) [MCH4021-TL-E](#)
[US6T6TR](#) [732314D](#) [CMXT3906 TR](#) [CPH3121-TL-E](#) [CPH6021-TL-H](#) [873787E](#) [UMX21NTR](#) [EMT2T2R](#) [MCH6102-TL-E](#) [FP204-TL-E](#)
[NJL0302DG](#) [2N3583](#) [2SA1434-TB-E](#) [2SC3143-4-TB-E](#) [2SD1621S-TD-E](#) [NTE103](#) [30A02MH-TL-E](#) [NSV40301MZ4T1G](#) [NTE101](#) [NTE13](#)
[NTE15](#) [NTE16001](#)