



3LN01SS

N-Channel Small Signal MOSFET 30V, 0.15A, 3.7Ω, Single SSFP

ON Semiconductor®

<http://onsemi.com>

Features

- Low ON-resistance
- Ultrahigh-speed switching
- 2.5V drive

Specifications

Absolute Maximum Ratings at Ta=25°C

| Parameter | Symbol | Conditions | Ratings | Unit |
|-----------------------------|------------------|------------------------|-------------|------|
| Drain to Source Voltage | V _{DSS} | | 30 | V |
| Gate to Source Voltage | V _{GSS} | | ±10 | V |
| Drain Current (DC) | I _D | | 0.15 | A |
| Drain Current (Pulse) | I _{DP} | PW≤10μs, duty cycle≤1% | 0.6 | A |
| Allowable Power Dissipation | P _D | | 0.15 | W |
| Channel Temperature | T _{ch} | | 150 | °C |
| Storage Temperature | T _{stg} | | -55 to +150 | °C |

This product is designed to "ESD immunity < 200V**", so please take care when handling.

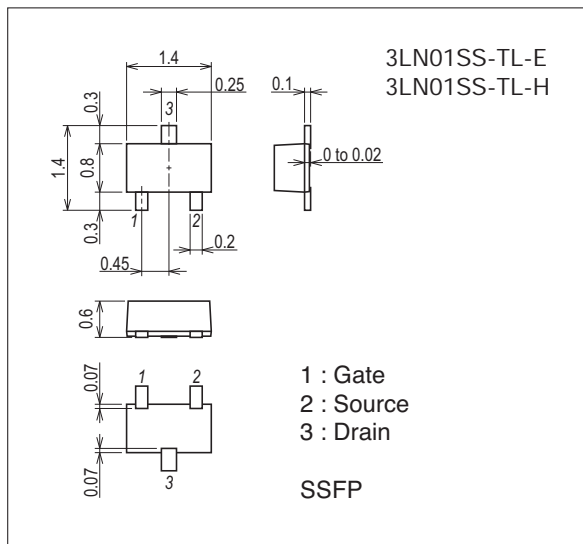
* Machine Model

Stresses exceeding Maximum Ratings may damage the device. Maximum Ratings are stress ratings only. Functional operation above the Recommended Operating Conditions is not implied. Extended exposure to stresses above the Recommended Operating Conditions may affect device reliability.

Package Dimensions

unit : mm (typ)

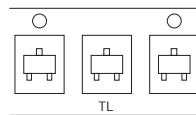
7029A-003



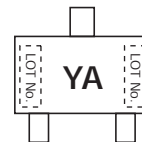
Ordering & Package Information

| Device | Package | Shipping | memo |
|--------------|---------------|--------------------|--------------------------------|
| 3LN01SS-TL-E | SSFP SC-81 | 8,000 pcs./reel | Pb-Free |
| 3LN01SS-TL-H | SSFP SC-81 | 8,000 pcs./reel | Pb-Free and Halogen Free |

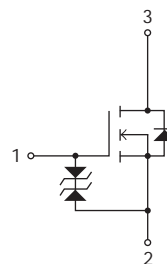
Packing Type: TL



Marking



Electrical Connection

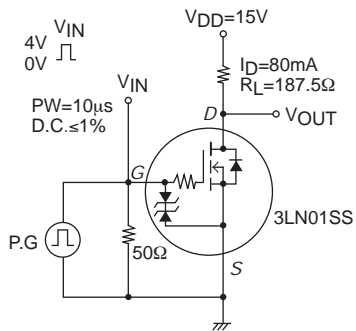


3LN01SS

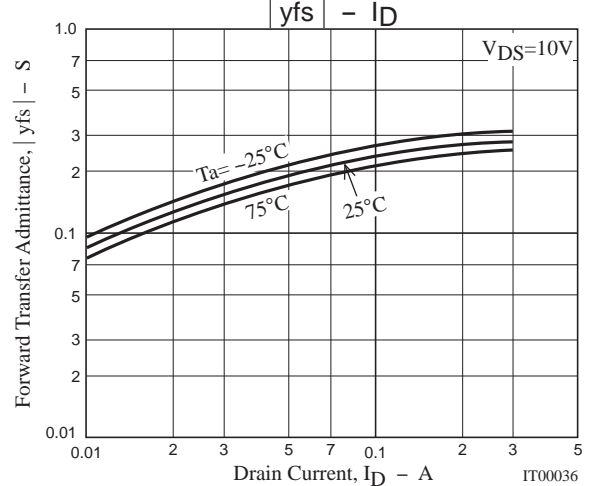
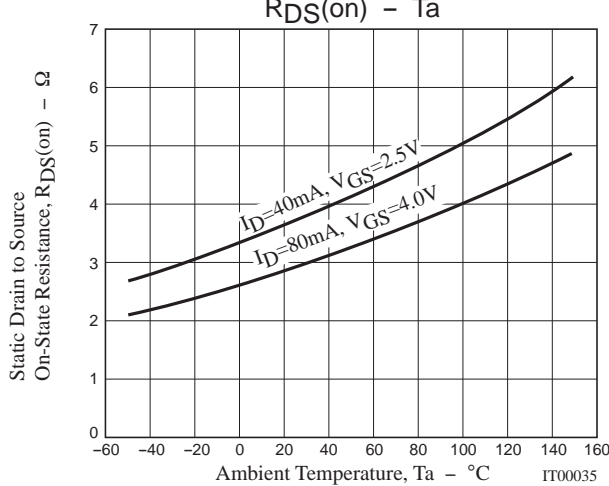
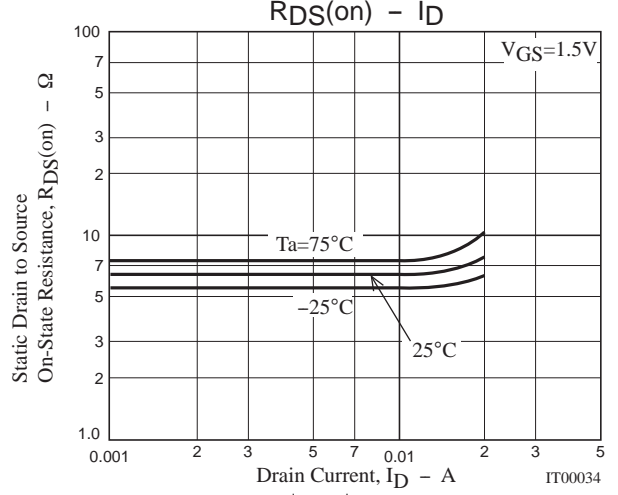
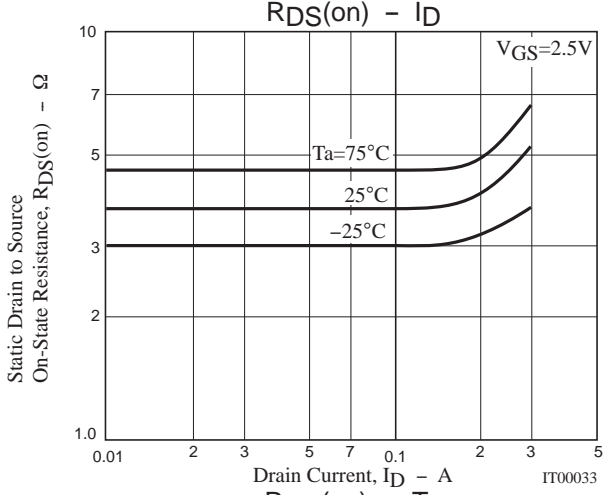
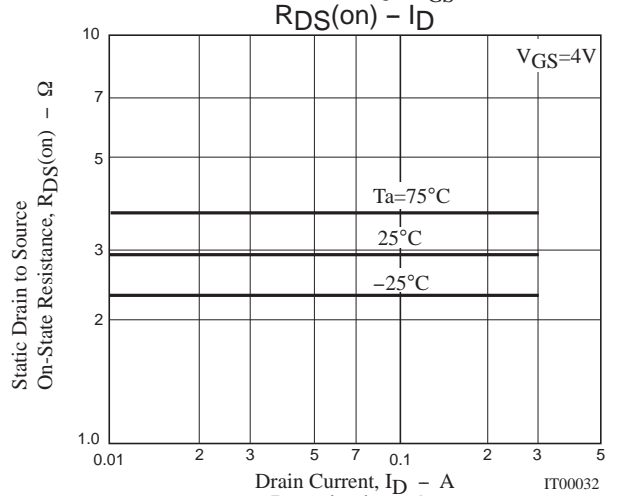
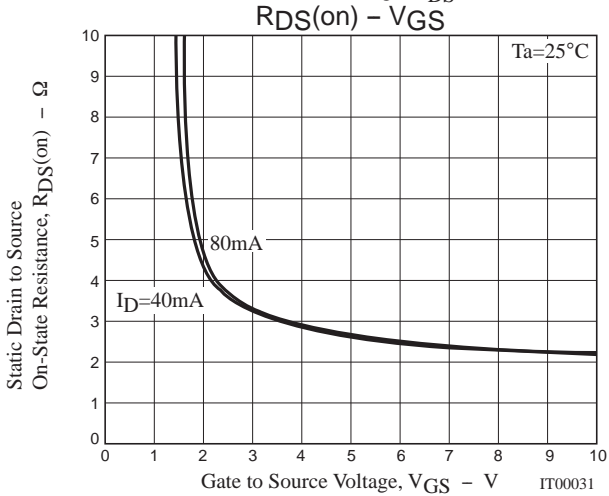
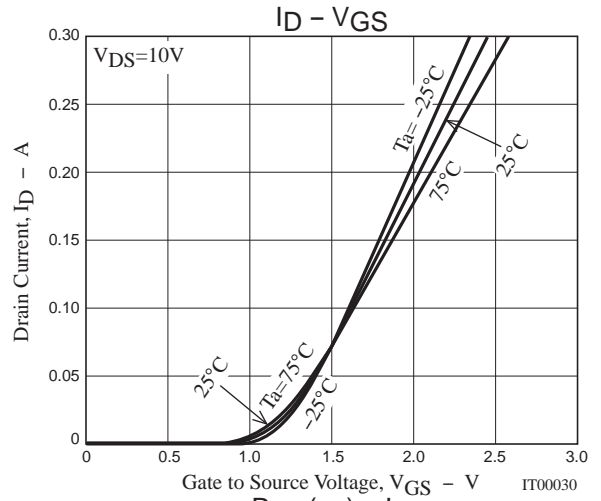
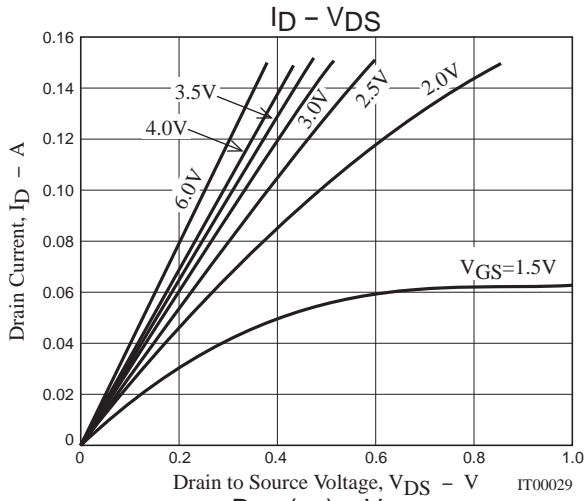
Electrical Characteristics at $T_a=25^\circ\text{C}$

| Parameter | Symbol | Conditions | Ratings | | | Unit |
|--|---------------|--|-----------------------------|------|----------|---------------|
| | | | min | typ | max | |
| Drain to Source Breakdown Voltage | $V_{(BR)DSS}$ | $I_D=1\text{mA}, V_{GS}=0\text{V}$ | 30 | | | V |
| Zero-Gate Voltage Drain Current | I_{DSS} | $V_{DS}=30\text{V}, V_{GS}=0\text{V}$ | | | 1 | μA |
| Gate to Source Leakage Current | I_{GSS} | $V_{GS}=\pm 8\text{V}, V_{DS}=0\text{V}$ | | | ± 10 | μA |
| Cutoff Voltage | $V_{GS(off)}$ | $V_{DS}=10\text{V}, I_D=100\mu\text{A}$ | 0.4 | | 1.3 | V |
| Forward Transfer Admittance | $ y_{fs} $ | $V_{DS}=10\text{V}, I_D=80\text{mA}$ | 0.15 | 0.22 | | S |
| Static Drain to Source On-State Resistance | $R_{DS(on)1}$ | $I_D=80\text{mA}, V_{GS}=4\text{V}$ | | 2.9 | 3.7 | Ω |
| | $R_{DS(on)2}$ | $I_D=40\text{mA}, V_{GS}=2.5\text{V}$ | | 3.7 | 5.2 | Ω |
| | $R_{DS(on)3}$ | $I_D=10\text{mA}, V_{GS}=1.5\text{V}$ | | 6.4 | 12.8 | Ω |
| Input Capacitance | C_{iss} | $V_{DS}=10\text{V}, f=1\text{MHz}$ | | 7.0 | | pF |
| Output Capacitance | C_{oss} | | | 5.9 | | pF |
| Reverse Transfer Capacitance | C_{rss} | | | 2.3 | | pF |
| Turn-ON Delay Time | $t_{d(on)}$ | | See specified Test Circuit. | | 19 | |
| Rise Time | t_r | | | 65 | | ns |
| Turn-OFF Delay Time | $t_{d(off)}$ | | | 155 | | ns |
| Fall Time | t_f | | | 120 | | ns |
| Total Gate Charge | Q_g | $V_{DS}=10\text{V}, V_{GS}=10\text{V}, I_D=150\text{mA}$ | | | 1.58 | |
| Gate to Source Charge | Q_{gs} | | | 0.26 | | nC |
| Gate to Drain "Miller" Charge | Q_{gd} | | | 0.31 | | nC |
| Diode Forward Voltage | V_{SD} | $I_S=150\text{mA}, V_{GS}=0\text{V}$ | | 0.87 | 1.2 | V |

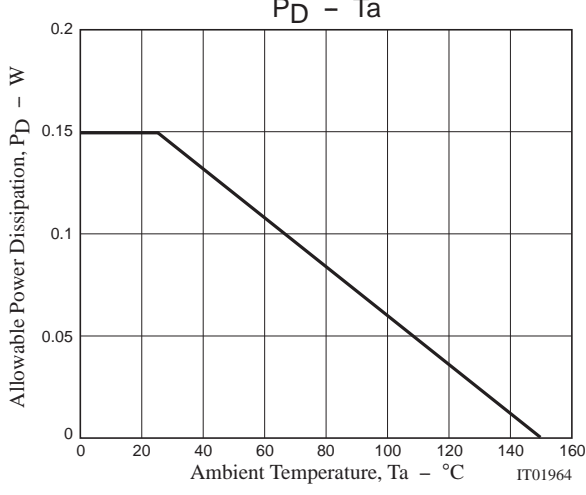
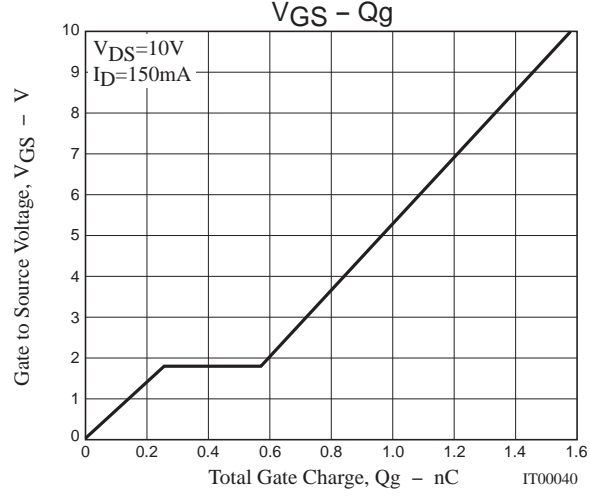
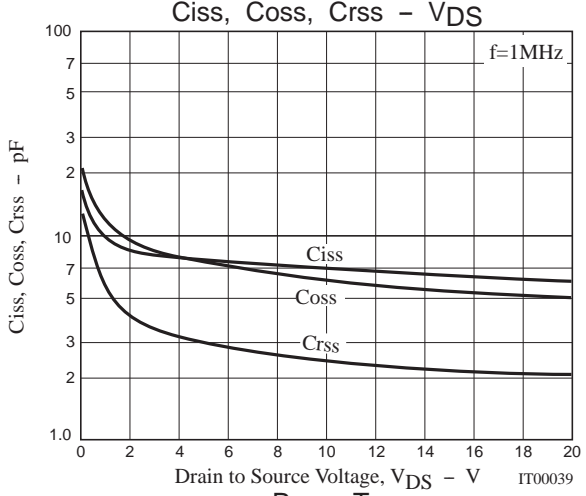
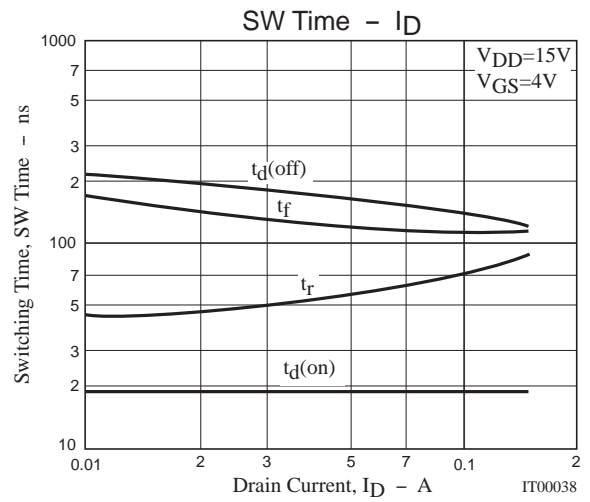
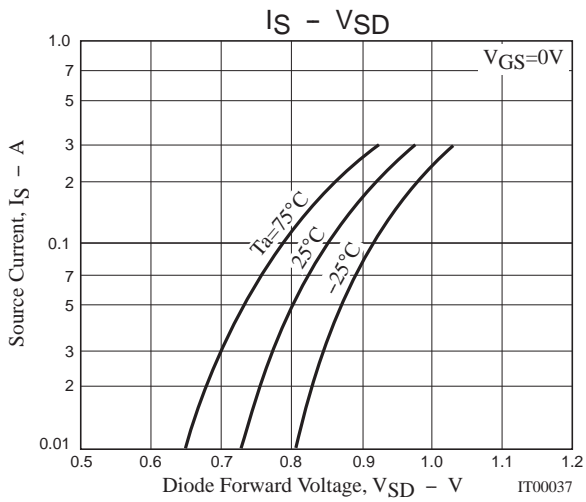
Switching Time Test Circuit



3LN01SS



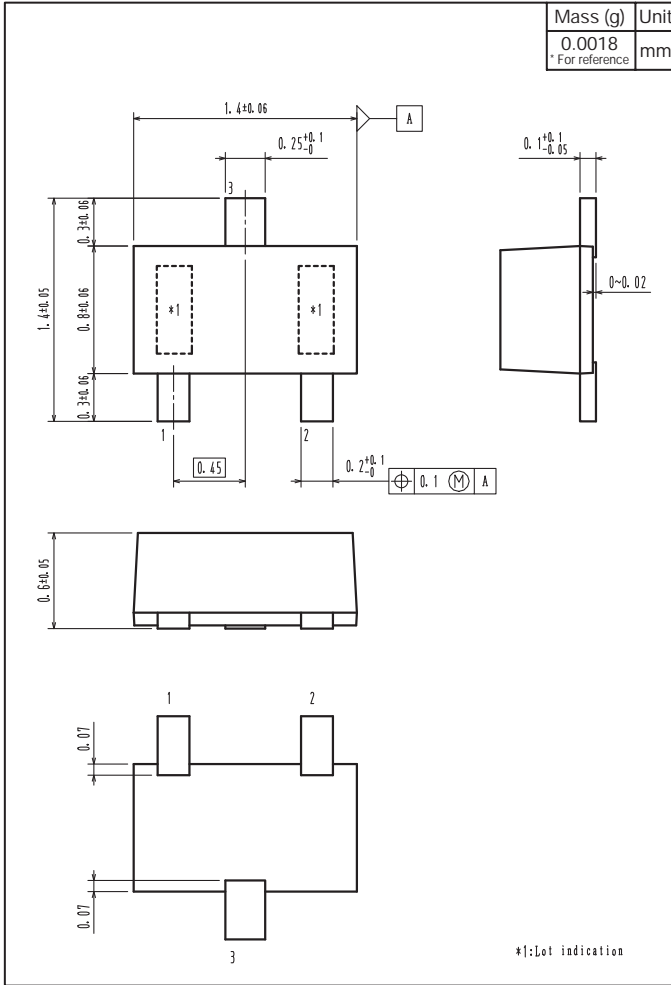
3LN01SS



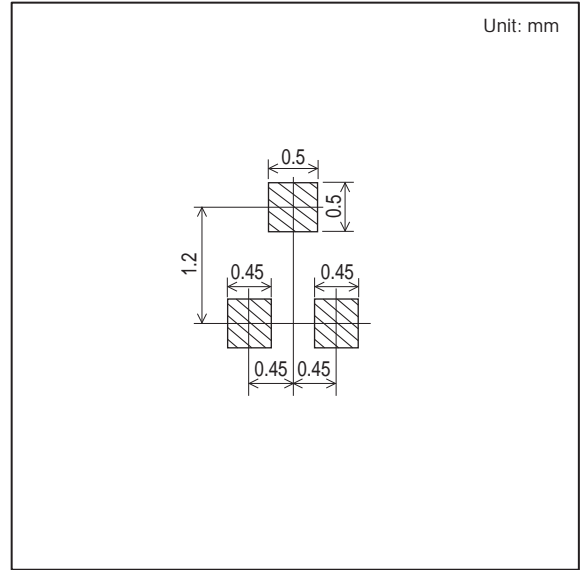
3LN01SS

Outline Drawing

3LN01SS-TL-E, 3LN01SS-TL-H



Land Pattern Example



Note on usage : Since the 3LN01SS is a MOSFET product, please avoid using this device in the vicinity of highly charged objects.

ON Semiconductor and the ON logo are registered trademarks of Semiconductor Components Industries, LLC (SCILLC). SCILLC owns the rights to a number of patents, trademarks, copyrights, trade secrets, and other intellectual property. A listing of SCILLC's product/patent coverage may be accessed at www.onsemi.com/site/pdf/Patent-Marking.pdf. SCILLC reserves the right to make changes without further notice to any products herein. SCILLC makes no warranty, representation or guarantee regarding the suitability of its products for any particular purpose, nor does SCILLC assume any liability arising out of the application or use of any product or circuit, and specifically disclaims any and all liability, including without limitation special, consequential or incidental damages. "Typical" parameters which may be provided in SCILLC data sheets and/or specifications can and do vary in different applications and actual performance may vary over time. All operating parameters, including "Typicals" must be validated for each customer application by customer's technical experts. SCILLC does not convey any license under its patent rights nor the rights of others. SCILLC products are not designed, intended, or authorized for use as components in systems intended for surgical implant into the body, or other applications intended to support or sustain life, or for any other application in which the failure of the SCILLC product could create a situation where personal injury or death may occur. Should Buyer purchase or use SCILLC products for any such unintended or unauthorized application, Buyer shall indemnify and hold SCILLC and its officers, employees, subsidiaries, affiliates, and distributors harmless against all claims, costs, damages, and expenses, and reasonable attorney fees arising out of, directly or indirectly, any claim of personal injury or death associated with such unintended or unauthorized use, even if such claim alleges that SCILLC was negligent regarding the design or manufacture of the part. SCILLC is an Equal Opportunity/Affirmative Action Employer. This literature is subject to all applicable copyright laws and is not for resale in any manner.

X-ON Electronics

Largest Supplier of Electrical and Electronic Components

Click to view similar products for [MOSFET](#) category:

Click to view products by [ON Semiconductor](#) manufacturer:

Other Similar products are found below :

[614233C](#) [648584F](#) [IRFD120](#) [JANTX2N5237](#) [FCA20N60_F109](#) [FDZ595PZ](#) [2SK2545\(Q,T\)](#) [405094E](#) [423220D](#) [TPCC8103,L1Q\(CM](#)
[MIC4420CM-TR](#) [VN1206L](#) [SBVS138LT1G](#) [614234A](#) [715780A](#) [NTNS3166NZT5G](#) [SSM6J414TU,LF\(T](#) [751625C](#) [BUK954R8-60E](#)
[NTE6400](#) [SQJ402EP-T1-GE3](#) [2SK2614\(TE16L1,Q\)](#) [2N7002KW-FAI](#) [DMN1017UCP3-7](#) [EFC2J004NUZTDG](#) [ECH8691-TL-W](#)
[FCAB21350L1](#) [P85W28HP2F-7071](#) [DMN1053UCP4-7](#) [NTE221](#) [NTE222](#) [NTE2384](#) [NTE2903](#) [NTE2941](#) [NTE2945](#) [NTE2946](#) [NTE2960](#)
[NTE2967](#) [NTE2969](#) [NTE2976](#) [NTE455](#) [NTE6400A](#) [NTE2910](#) [NTE2916](#) [NTE2956](#) [NTE2911](#) [DMN2080UCB4-7](#) [TK10A80W,S4X\(S](#)
[SSM6P69NU,LF](#) [DMP22D4UFO-7B](#)