

# 74LVC373A

## Low-Voltage CMOS Octal Transparent Latch

### With 5 V-Tolerant Inputs and Outputs (3-State, Non-Inverting)

The 74LVC373A is a high performance, non-inverting octal transparent latch operating from a 1.2 to 3.6 V supply. High impedance TTL compatible inputs significantly reduce current loading to input drivers while TTL compatible outputs offer improved switching noise performance. A  $V_I$  specification of 5.5 V allows 74LVC373A inputs to be safely driven from 5 V devices.

The 74LVC373A contains 8 D-type latches with 3-state outputs. When the Latch Enable (LE) input is HIGH, data on the D<sub>n</sub> inputs enters the latches. In this condition, the latches are transparent, i.e., a latch output will change state each time its D input changes. When LE is LOW, the latches store the information that was present on the D inputs a setup time preceding the HIGH-to-LOW transition of LE. The 3-state standard outputs are controlled by the Output Enable ( $\overline{OE}$ ) input. When  $\overline{OE}$  is LOW, the standard outputs are enabled. When  $\overline{OE}$  is HIGH, the standard outputs are in the high impedance state, but this does not interfere with new data entering into the latches.

#### Features

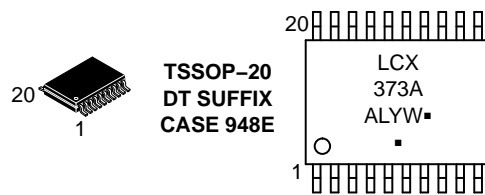
- Designed for 1.2 to 3.6 V  $V_{CC}$  Operation
- 5 V Tolerant – Interface Capability With 5 V TTL Logic
- Supports Live Insertion and Withdrawal
- $I_{OFF}$  Specification Guarantees High Impedance When  $V_{CC} = 0$  V
- 24 mA Output Sink and Source Capability
- Near Zero Static Supply Current in all Three Logic States (10  $\mu$ A) Substantially Reduces System Power Requirements
- ESD Performance:
  - ◆ Human Body Model >2000 V
  - ◆ Machine Model >200 V
- These Devices are Pb-Free, Halogen Free/BFR Free and are RoHS Compliant



ON Semiconductor®

[www.onsemi.com](http://www.onsemi.com)

#### MARKING DIAGRAM



A = Assembly Location  
L, WL = Wafer Lot  
Y, YY = Year  
W, WW = Work Week  
G or ■ = Pb-Free Package

(Note: Microdot may be in either location)

#### ORDERING INFORMATION

See detailed ordering and shipping information on page 8 of this data sheet.

# 74LVC373A

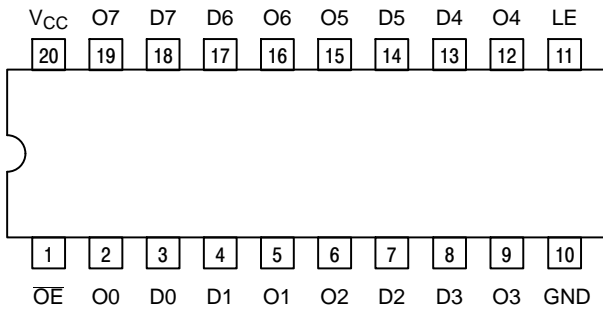


Figure 1. Pinout (Top View)

## PIN NAMES

PINS	FUNCTION
OE	Output Enable Input
LE	Latch Enable Input
D0–D7	Data Inputs
O0–O7	3–State Latch Outputs

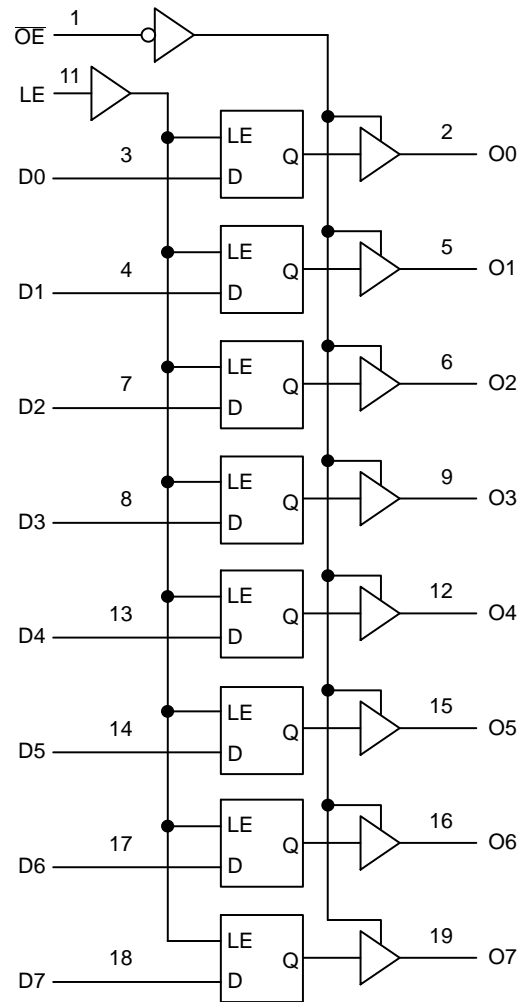


Figure 2. Logic Diagram

## TRUTH TABLE

Inputs			Outputs	Operating Mode
OE	LE	Dn	On	
L	H	H	H	Transparent (Latch Disabled); Read Latch
L	H	L	L	
L	L	h	H	Latched (Latch Enabled) Read Latch
L	L	l	L	
L	L	X	NC	Hold; Read Latch
H	L	X	Z	Hold; Disabled Outputs
H	H	H	Z	Transparent (Latch Disabled); Disabled Outputs
H	H	L	Z	
H	L	h	Z	Latched (Latch Enabled); Disabled Outputs
H	L	l	Z	

H = High Voltage Level  
 h = High Voltage Level One Setup Time Prior to the Latch Enable High-to-Low Transition  
 L = Low Voltage Level  
 l = Low Voltage Level One Setup Time Prior to the Latch Enable High-to-Low Transition  
 NC = No Change, State Prior to the Latch Enable High-to-Low Transition  
 X = High or Low Voltage Level or Transitions are Acceptable  
 Z = High Impedance State  
 For I<sub>CC</sub> Reasons DO NOT FLOAT Inputs

# 74LVC373A

## MAXIMUM RATINGS

Symbol	Parameter	Condition	Value	Unit
V <sub>CC</sub>	DC Supply Voltage		-0.5 to +6.5	V
V <sub>I</sub>	DC Input Voltage		-0.5 ≤ V <sub>I</sub> ≤ +6.5	V
V <sub>O</sub>	DC Output Voltage	Output in 3-State	-0.5 ≤ V <sub>O</sub> ≤ +6.5	V
		Output in HIGH or LOW State (Note 1)	-0.5 ≤ V <sub>O</sub> ≤ V <sub>CC</sub> + 0.5	V
I <sub>IK</sub>	DC Input Diode Current	V <sub>I</sub> < GND	-50	mA
I <sub>OK</sub>	DC Output Diode Current	V <sub>O</sub> < GND	-50	mA
		V <sub>O</sub> > V <sub>CC</sub>	+50	mA
I <sub>O</sub>	DC Output Source/Sink Current		±50	mA
I <sub>CC</sub>	DC Supply Current Per Supply Pin		±100	mA
I <sub>GND</sub>	DC Ground Current Per Ground Pin		±100	mA
T <sub>STG</sub>	Storage Temperature Range		-65 to +150	°C
T <sub>L</sub>	Lead Temperature, 1 mm from Case for 10 Seconds		T <sub>L</sub> = 260	°C
T <sub>J</sub>	Junction Temperature Under Bias		T <sub>J</sub> = 135	°C
θ <sub>JA</sub>	Thermal Resistance (Note 2)		110.7	°C/W
MSL	Moisture Sensitivity	Level 1		

Stresses exceeding those listed in the Maximum Ratings table may damage the device. If any of these limits are exceeded, device functionality should not be assumed, damage may occur and reliability may be affected.

1. I<sub>O</sub> absolute maximum rating must be observed.
2. Measured with minimum pad spacing on an FR4 board, using 10 mm-by-1 inch, 2 ounce copper trace no air flow.

## RECOMMENDED OPERATING CONDITIONS

Symbol	Parameter	Min	Typ	Max	Unit
V <sub>CC</sub>	Supply Voltage Operating Functional	1.65 1.2		3.6 3.6	V
V <sub>I</sub>	Input Voltage	0		5.5	V
V <sub>O</sub>	Output Voltage HIGH or LOW State 3-State	0 0		V <sub>CC</sub> 5.5	V
I <sub>OH</sub>	HIGH Level Output Current V <sub>CC</sub> = 3.0 V – 3.6 V V <sub>CC</sub> = 2.7 V – 3.0 V			-24 -12	mA
I <sub>OL</sub>	LOW Level Output Current V <sub>CC</sub> = 3.0 V – 3.6 V V <sub>CC</sub> = 2.7 V – 3.0 V			24 12	mA
T <sub>A</sub>	Operating Free-Air Temperature	-40		+125	°C
Δt/ΔV	Input Transition Rise or Fall Rate, V <sub>CC</sub> = 1.65 to 2.7 V V <sub>CC</sub> = 2.7 to 3.6 V	0 0		20 10	ns/V

Functional operation above the stresses listed in the Recommended Operating Ranges is not implied. Extended exposure to stresses beyond the Recommended Operating Ranges limits may affect device reliability.

# 74LVC373A

## DC ELECTRICAL CHARACTERISTICS

Symbol	Parameter	Conditions	-40 to +85°C			-40 to +125°C			Unit
			Min	Typ (Note 3)	Max	Min	Typ (Note 3)	Max	
V <sub>IH</sub>	HIGH-level input voltage	V <sub>CC</sub> = 1.2 V	1.08	–	–	1.08	–	–	V
		V <sub>CC</sub> = 1.65 V to 1.95 V	0.65 x V <sub>CC</sub>	–	–	0.65 x V <sub>CC</sub>	–	–	
		V <sub>CC</sub> = 2.3 V to 2.7 V	1.7	–	–	1.7	–	–	
		V <sub>CC</sub> = 2.7 V to 3.6 V	2.0	–	–	2.0	–	–	
V <sub>IL</sub>	LOW-level input voltage	V <sub>CC</sub> = 1.2 V	–	–	0.12	–	–	0.12	V
		V <sub>CC</sub> = 1.65 V to 1.95 V	–	–	0.35 x V <sub>CC</sub>	–	–	0.35 x V <sub>CC</sub>	
		V <sub>CC</sub> = 2.3 V to 2.7 V	–	–	0.7	–	–	0.7	
		V <sub>CC</sub> = 2.7 V to 3.6 V	–	–	0.8	–	–	0.8	
V <sub>OH</sub>	HIGH-level output voltage	V <sub>I</sub> = V <sub>IH</sub> or V <sub>IL</sub>							V
		I <sub>O</sub> = –100 μA; V <sub>CC</sub> = 1.65 V to 3.6 V	V <sub>CC</sub> – 0.2	–	–	V <sub>CC</sub> – 0.3	–	–	
		I <sub>O</sub> = –4 mA; V <sub>CC</sub> = 1.65 V	1.2	–	–	1.05	–	–	
		I <sub>O</sub> = –8 mA; V <sub>CC</sub> = 2.3 V	1.8	–	–	1.65	–	–	
		I <sub>O</sub> = –12 mA; V <sub>CC</sub> = 2.7 V	2.2	–	–	2.05	–	–	
		I <sub>O</sub> = –18 mA; V <sub>CC</sub> = 3.0 V	2.4	–	–	2.25	–	–	
		I <sub>O</sub> = –24 mA; V <sub>CC</sub> = 3.0 V	2.2	–	–	2.0	–	–	
V <sub>OL</sub>	LOW-level output voltage	V <sub>I</sub> = V <sub>IH</sub> or V <sub>IL</sub>							V
		I <sub>O</sub> = 100 μA; V <sub>CC</sub> = 1.65 V to 3.6 V	–	–	0.2	–	–	0.3	
		I <sub>O</sub> = 4 mA; V <sub>CC</sub> = 1.65 V	–	–	0.45	–	–	0.65	
		I <sub>O</sub> = 8 mA; V <sub>CC</sub> = 2.3 V	–	–	0.6	–	–	0.8	
		I <sub>O</sub> = 12 mA; V <sub>CC</sub> = 2.7 V	–	–	0.4	–	–	0.6	
		I <sub>O</sub> = 24 mA; V <sub>CC</sub> = 3.0 V	–	–	0.55	–	–	0.8	
I <sub>I</sub>	Input leakage current	V <sub>I</sub> = 5.5 V or GND; V <sub>CC</sub> = 3.6 V	–	±0.1	±5	–	±0.1	±20	μA
I <sub>OZ</sub>	OFF-state output current	V <sub>I</sub> = V <sub>IH</sub> or V <sub>IL</sub> ; V <sub>O</sub> = 5.5 V or GND; V <sub>CC</sub> = 3.6 V	–	±0.1	±5	–	±0.1	±20	μA
I <sub>OFF</sub>	Power-off leakage current	V <sub>I</sub> or V <sub>O</sub> = 5.5 V; V <sub>CC</sub> = 0.0 V	–	±0.1	±10	–	±0.1	±20	μA
I <sub>CC</sub>	Supply current	V <sub>I</sub> = V <sub>CC</sub> or GND; I <sub>O</sub> = 0 A; V <sub>CC</sub> = 3.6 V	–	0.1	10	–	0.1	40	μA
ΔI <sub>CC</sub>	Additional supply current	per input pin; V <sub>I</sub> = V <sub>CC</sub> – 0.6 V; I <sub>O</sub> = 0 A; V <sub>CC</sub> = 2.7 V to 3.6 V	–	5	500	–	5	5000	μA

Product parametric performance is indicated in the Electrical Characteristics for the listed test conditions, unless otherwise noted. Product performance may not be indicated by the Electrical Characteristics if operated under different conditions.

3. All typical values are measured at T<sub>A</sub> = 25°C and V<sub>CC</sub> = 3.3 V, unless stated otherwise.

# 74LVC373A

## AC ELECTRICAL CHARACTERISTICS ( $t_R = t_F = 2.5 \text{ ns}$ )

Symbol	Parameter	Conditions	-40 to +85°C			-40 to +125°C			Unit
			Min	Typ (Note 4)	Max	Min	Typ (Note 4)	Max	
t <sub>pd</sub>	Propagation Delay (Note 5) Dn to On	V <sub>CC</sub> = 1.2 V	–	14.0	–	–	–	–	ns
		V <sub>CC</sub> = 1.65 V to 1.95 V	1.5	6.5	15.8	1.5	–	18.2	
		V <sub>CC</sub> = 2.3 V to 2.7 V	1.0	3.4	8.2	1.0	–	9.4	
		V <sub>CC</sub> = 2.7 V	1.5	3.4	7.8	1.5	–	10.0	
		V <sub>CC</sub> = 3.0 V to 3.6 V	1.5	2.9	6.8	1.5	–	8.5	
t <sub>pd</sub>	Propagation Delay LE to On	V <sub>CC</sub> = 1.2 V	–	16.0	–	–	–	–	ns
		V <sub>CC</sub> = 1.65 V to 1.95 V	2.2	7.3	16.8	2.2	–	19.3	
		V <sub>CC</sub> = 2.3 V to 2.7 V	1.5	3.9	8.6	1.5	–	10.0	
		V <sub>CC</sub> = 2.7 V	1.5	3.5	8.2	1.5	–	10.5	
		V <sub>CC</sub> = 3.0 V to 3.6 V	1.5	3.3	7.2	1.5	–	9.0	
t <sub>en</sub>	Enable Time (Note 6) OE to On	V <sub>CC</sub> = 1.2 V	–	17.0	–	–	–	–	ns
		V <sub>CC</sub> = 1.65 V to 1.95 V	1.5	6.8	17.6	1.5	–	20.3	
		V <sub>CC</sub> = 2.3 V to 2.7 V	1.5	3.8	9.7	1.5	–	11.2	
		V <sub>CC</sub> = 2.7 V	1.5	3.8	8.7	1.5	–	11.0	
		V <sub>CC</sub> = 3.0 V to 3.6 V	1.5	3.1	7.7	1.5	–	10.0	
t <sub>dis</sub>	Disable Time (Note 7) OE to On	V <sub>CC</sub> = 1.2 V	–	8.0	–	–	–	–	ns
		V <sub>CC</sub> = 1.65 V to 1.95 V	1.5	4.3	10.3	1.5	–	11.9	
		V <sub>CC</sub> = 2.3 V to 2.7 V	1.0	2.4	5.8	1.0	–	6.8	
		V <sub>CC</sub> = 2.7 V	1.5	3.2	7.1	1.5	–	9.0	
		V <sub>CC</sub> = 3.0 V to 3.6 V	1.5	3.0	6.1	1.5	–	8.0	
t <sub>w</sub>	Pulse Width LE HIGH	V <sub>CC</sub> = 1.65 V to 1.95 V	5.0	–	–	5.0	–	–	ns
		V <sub>CC</sub> = 2.3 V to 2.7 V	4.0	–	–	4.0	–	–	ns
		V <sub>CC</sub> = 2.7 V	3.0	–	–	3.0	–	–	
		V <sub>CC</sub> = 3.0 V to 3.6 V	3.0	1.5	–	3.0	–	–	
t <sub>su</sub>	Set-up Time On to LE	V <sub>CC</sub> = 1.65 V to 1.95 V	4.0	–	–	4.0	–	–	ns
		V <sub>CC</sub> = 2.3 V to 2.7 V	3.0	–	–	3.0	–	–	
		V <sub>CC</sub> = 2.7 V	2.0	–	–	2.0	–	–	
		V <sub>CC</sub> = 3.0 V to 3.6 V	2.0	0.0	–	2.0	–	–	
t <sub>h</sub>	Hold Time On to LE	V <sub>CC</sub> = 1.65 V to 1.95 V	3.0	–	–	3.0	–	–	ns
		V <sub>CC</sub> = 2.3 V to 2.7 V	2.0	–	–	2.0	–	–	
		V <sub>CC</sub> = 2.7 V	1.5	–	–	1.5	–	–	
		V <sub>CC</sub> = 3.0 V to 3.6 V	1.5	0.3	–	1.5	–	–	
t <sub>sk(0)</sub>	Output Skew Time (Note 8)		–	–	1.0	–	–	1.5	ns

Product parametric performance is indicated in the Electrical Characteristics for the listed test conditions, unless otherwise noted. Product performance may not be indicated by the Electrical Characteristics if operated under different conditions.

4. Typical values are measured at T<sub>A</sub> = 25°C and V<sub>CC</sub> = 3.3 V, unless stated otherwise.

5. t<sub>pd</sub> is the same as t<sub>PLH</sub> and t<sub>PHL</sub>.

6. t<sub>en</sub> is the same as t<sub>PZL</sub> and t<sub>PZH</sub>.

7. t<sub>dis</sub> is the same as t<sub>PLZ</sub> and t<sub>PHZ</sub>.

8. Skew between any two outputs of the same package switching in the same direction. This parameter is guaranteed by design.

# 74LVC373A

## DYNAMIC SWITCHING CHARACTERISTICS

Symbol	Characteristic	Condition	T <sub>A</sub> = +25°C			Unit
			Min	Typ	Max	
VOLP	Dynamic LOW Peak Voltage (Note 9)	V <sub>CC</sub> = 3.3 V, C <sub>L</sub> = 50 pF, V <sub>IH</sub> = 3.3 V, V <sub>IL</sub> = 0 V V <sub>CC</sub> = 2.5 V, C <sub>L</sub> = 30 pF, V <sub>IH</sub> = 2.5 V, V <sub>IL</sub> = 0 V		0.8 0.6		V
VOLV	Dynamic LOW Valley Voltage (Note 9)	V <sub>CC</sub> = 3.3 V, C <sub>L</sub> = 50 pF, V <sub>IH</sub> = 3.3 V, V <sub>IL</sub> = 0 V V <sub>CC</sub> = 2.5 V, C <sub>L</sub> = 30 pF, V <sub>IH</sub> = 2.5 V, V <sub>IL</sub> = 0 V		-0.8 -0.6		V

9. Number of outputs defined as "n". Measured with "n-1" outputs switching from HIGH-to-LOW or LOW-to-HIGH. The remaining output is measured in the LOW state.

## CAPACITIVE CHARACTERISTICS

Symbol	Parameter	Condition	Typical	Unit
CIN	Input Capacitance	V <sub>CC</sub> = 3.3 V, V <sub>I</sub> = 0 V or V <sub>CC</sub>	5.0	pF
COUT	Output Capacitance	V <sub>CC</sub> = 3.3 V, V <sub>I</sub> = 0 V or V <sub>CC</sub>	6.0	pF
CPD	Power Dissipation Capacitance (Note 10)	Per flip-flop; V <sub>I</sub> = GND or V <sub>CC</sub>		pF
		V <sub>CC</sub> = 1.65 V to 1.95 V	16.6	
		V <sub>CC</sub> = 2.3 V to 2.7 V	19.2	
		V <sub>CC</sub> = 3.0 V to 3.6 V	21.6	

10. CPD is used to determine the dynamic power dissipation (PD in μW).

$$P_D = C_{PD} \times V_{CC}^2 \times f_i \times N + \sum(C_L \times V_{CC}^2 \times f_o) \text{ where:}$$

f<sub>i</sub> = input frequency in MHz; f<sub>o</sub> = output frequency in MHz

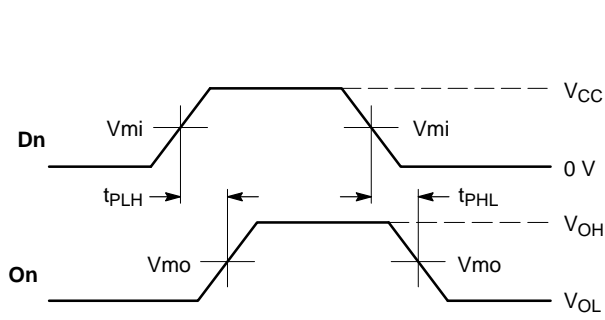
C<sub>L</sub> = output load capacitance in pF

V<sub>CC</sub> = supply voltage in Volts

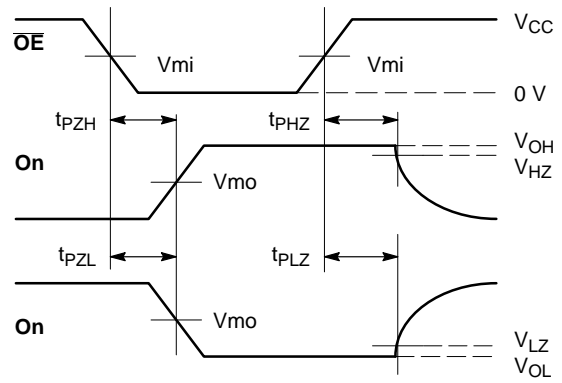
N = number of outputs switching

∑(C<sub>L</sub> × V<sub>CC</sub><sup>2</sup> × f<sub>o</sub>) = sum of the outputs

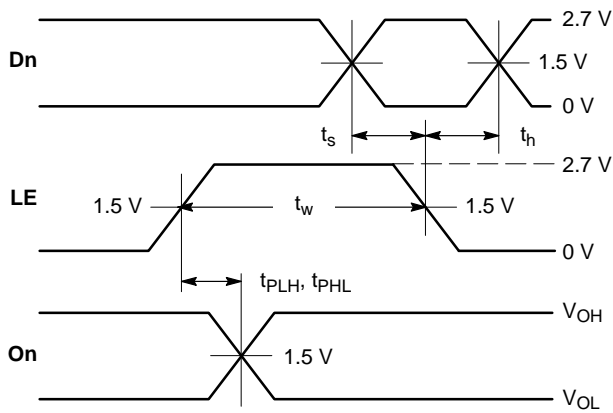
# 74LVC373A



**WAVEFORM 1 – PROPAGATION DELAYS**  
 $t_R = t_F = 2.5 \text{ ns}$ , 10% to 90%;  $f = 1 \text{ MHz}$ ;  $t_W = 500 \text{ ns}$



**WAVEFORM 2 – OUTPUT ENABLE AND DISABLE TIMES**  
 $t_R = t_F = 2.5 \text{ ns}$ , 10% to 90%;  $f = 1 \text{ MHz}$ ;  $t_W = 500 \text{ ns}$

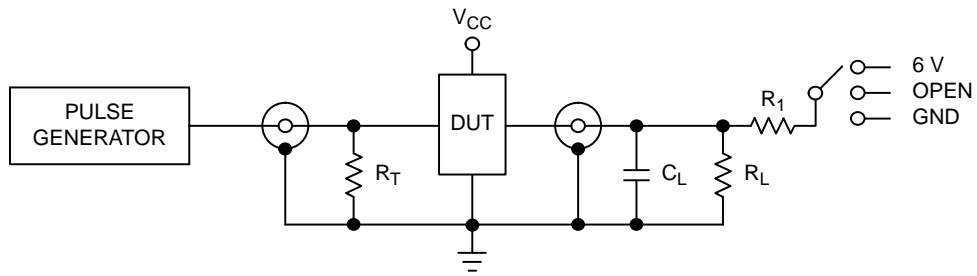


**WAVEFORM 3 – LE to On PROPAGATION DELAYS, LE MINIMUM PULSE WIDTH, Dn to LE SETUP AND HOLD TIMES**  
 $t_R = t_F = 2.5 \text{ ns}$ , 10% to 90%;  $f = 1 \text{ MHz}$ ;  $t_W = 500 \text{ ns}$  except when noted

Symbol	V <sub>CC</sub>		
	3.3 V ± 0.3 V	2.7 V	V <sub>CC</sub> < 2.7 V
V <sub>mi</sub>	1.5 V	1.5 V	V <sub>CC</sub> /2
V <sub>mo</sub>	1.5 V	1.5 V	V <sub>CC</sub> /2
V <sub>HZ</sub>	V <sub>OL</sub> + 0.3 V	V <sub>OL</sub> + 0.3 V	V <sub>OL</sub> + 0.15 V
V <sub>LZ</sub>	V <sub>OH</sub> - 0.3 V	V <sub>OH</sub> - 0.3 V	V <sub>OH</sub> - 0.15 V

**Figure 3. AC Waveforms**

# 74LVC373A



$C_L$  includes jig and probe capacitance  
 $R_T = Z_{OUT}$  of pulse generator (typically 50  $\Omega$ )  
 $R_1 = R_L$

Supply Voltage	Input		Load		VEXT		
$V_{CC}$ (V)	$V_I$	$t_r, t_f$	$C_L$	$R_L$	tPLH, tPHL	tPLZ, tPZL	tPHZ, tPZH
1.2	$V_{CC}$	$\leq 2$ ns	30 pF	1 k $\Omega$	Open	2 x $V_{CC}$	GND
1.65 – 1.95	$V_{CC}$	$\leq 2$ ns	30 pF	1 k $\Omega$	Open	2 x $V_{CC}$	GND
2.3 – 2.7	$V_{CC}$	$\leq 2$ ns	30 pF	500 $\Omega$	Open	2 x $V_{CC}$	GND
2.7	2.7 V	$\leq 2.5$ ns	50 pF	500 $\Omega$	Open	2 x $V_{CC}$	GND
3.0 – 3.6	2.7 V	$\leq 2.5$ ns	50 pF	500 $\Omega$	Open	2 x $V_{CC}$	GND

Figure 4. Test Circuit

## ORDERING INFORMATION

Device	Package	Shipping <sup>†</sup>
74LVC373ADTR2G	TSSOP-20 (Pb-Free)	2500 / Tape & Reel

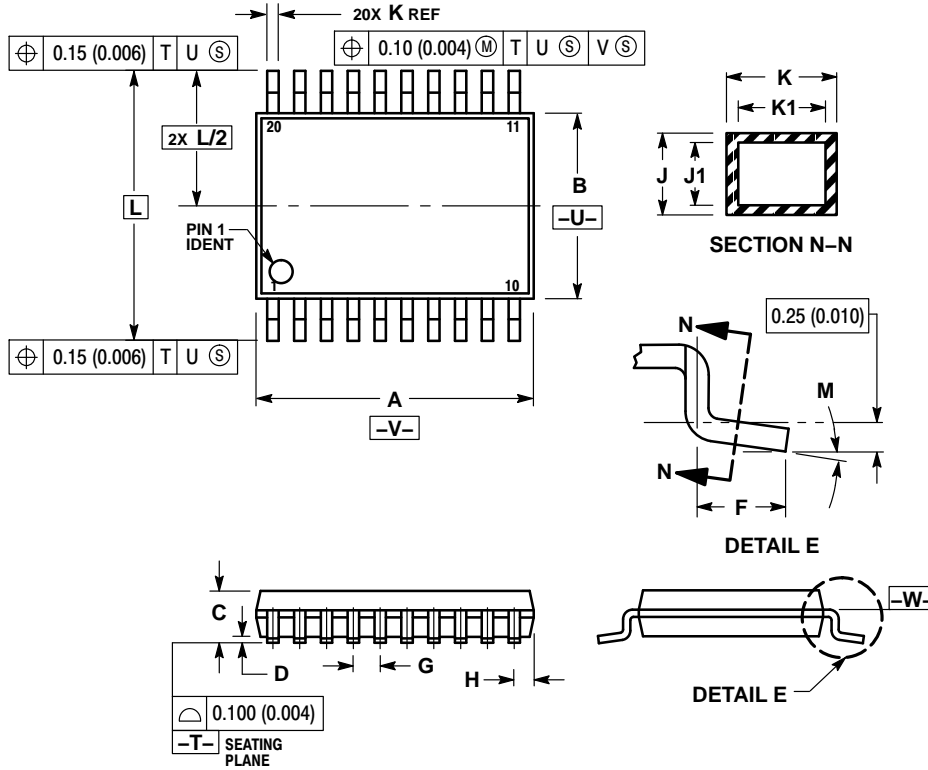
<sup>†</sup>For information on tape and reel specifications, including part orientation and tape sizes, please refer to our Tape and Reel Packaging Specifications Brochure, BRD8011/D.



# 74LVC373A

## PACKAGE DIMENSIONS

TSSOP-20  
DT SUFFIX  
CASE 948E-02  
ISSUE C

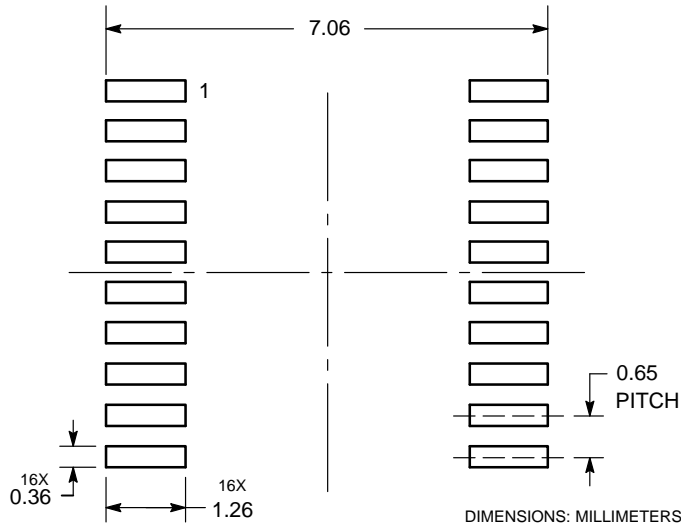


NOTES:


1. DIMENSIONING AND TOLERANCING PER ANSI Y14.5M, 1982.
2. CONTROLLING DIMENSION: MILLIMETER.
3. DIMENSION A DOES NOT INCLUDE MOLD FLASH, PROTRUSIONS OR GATE BURRS. MOLD FLASH OR GATE BURRS SHALL NOT EXCEED 0.15 (0.006) PER SIDE.
4. DIMENSION B DOES NOT INCLUDE INTERLEAD FLASH OR PROTRUSION. INTERLEAD FLASH OR PROTRUSION SHALL NOT EXCEED 0.25 (0.010) PER SIDE.
5. DIMENSION K DOES NOT INCLUDE DAMBAR PROTRUSION. ALLOWABLE DAMBAR PROTRUSION SHALL BE 0.08 (0.003) TOTAL IN EXCESS OF THE K DIMENSION AT MAXIMUM MATERIAL CONDITION.
6. TERMINAL NUMBERS ARE SHOWN FOR REFERENCE ONLY.
7. DIMENSION A AND B ARE TO BE DETERMINED AT DATUM PLANE -W-.

DIM	MILLIMETERS		INCHES	
	MIN	MAX	MIN	MAX
A	6.40	6.60	0.252	0.260
B	4.30	4.50	0.169	0.177
C	---	1.20	---	0.047
D	0.05	0.15	0.002	0.006
F	0.50	0.75	0.020	0.030
G	0.65 BSC		0.026 BSC	
H	0.27	0.37	0.011	0.015
J	0.09	0.20	0.004	0.008
J1	0.09	0.16	0.004	0.006
K	0.19	0.30	0.007	0.012
K1	0.19	0.25	0.007	0.010
L	6.40 BSC		0.252 BSC	
M	0°	8°	0°	8°

### SOLDERING FOOTPRINT\*



\*For additional information on our Pb-Free strategy and soldering details, please download the ON Semiconductor Soldering and Mounting Techniques Reference Manual, SOLDERRM/D.

ON Semiconductor and the  are registered trademarks of Semiconductor Components Industries, LLC (SCILLC) or its subsidiaries in the United States and/or other countries. SCILLC owns the rights to a number of patents, trademarks, copyrights, trade secrets, and other intellectual property. A listing of SCILLC's product/patent coverage may be accessed at [www.onsemi.com/site/pdf/Patent-Marking.pdf](http://www.onsemi.com/site/pdf/Patent-Marking.pdf). SCILLC reserves the right to make changes without further notice to any products herein. SCILLC makes no warranty, representation or guarantee regarding the suitability of its products for any particular purpose, nor does SCILLC assume any liability arising out of the application or use of any product or circuit, and specifically disclaims any and all liability, including without limitation special, consequential or incidental damages. "Typical" parameters which may be provided in SCILLC data sheets and/or specifications can and do vary in different applications and actual performance may vary over time. All operating parameters, including "Typicals" must be validated for each customer application by customer's technical experts. SCILLC does not convey any license under its patent rights nor the rights of others. SCILLC products are not designed, intended, or authorized for use as components in systems intended for surgical implant into the body, or other applications intended to support or sustain life, or for any other application in which the failure of the SCILLC product could create a situation where personal injury or death may occur. Should Buyer purchase or use SCILLC products for any such unintended or unauthorized application, Buyer shall indemnify and hold SCILLC and its officers, employees, subsidiaries, affiliates, and distributors harmless against all claims, costs, damages, and expenses, and reasonable attorney fees arising out of, directly or indirectly, any claim of personal injury or death associated with such unintended or unauthorized use, even if such claim alleges that SCILLC was negligent regarding the design or manufacture of the part. SCILLC is an Equal Opportunity/Affirmative Action Employer. This literature is subject to all applicable copyright laws and is not for resale in any manner.

## PUBLICATION ORDERING INFORMATION

### LITERATURE FULFILLMENT:

Literature Distribution Center for ON Semiconductor  
P.O. Box 5163, Denver, Colorado 80217 USA  
**Phone:** 303-675-2175 or 800-344-3860 Toll Free USA/Canada  
**Fax:** 303-675-2176 or 800-344-3867 Toll Free USA/Canada  
**Email:** [orderlit@onsemi.com](mailto:orderlit@onsemi.com)

**N. American Technical Support:** 800-282-9855 Toll Free  
USA/Canada  
**Europe, Middle East and Africa Technical Support:**  
Phone: 421 33 790 2910  
**Japan Customer Focus Center**  
Phone: 81-3-5817-1050

**ON Semiconductor Website:** [www.onsemi.com](http://www.onsemi.com)  
**Order Literature:** <http://www.onsemi.com/orderlit>  
For additional information, please contact your local  
Sales Representative

## X-ON Electronics

Largest Supplier of Electrical and Electronic Components

*Click to view similar products for [Latches category](#):*

*Click to view products by [ON Semiconductor manufacturer](#):*

Other Similar products are found below :

[ML4875CS-5](#) [401639B](#) [716165RB](#) [74F373DW](#) [74LVC373ADTR2G](#) [74LVC573ADTR2G](#) [NL17SG373DFT2G](#) [NLV14044BDG](#) [5962-8863901RA](#) [5962-88639012A](#) [NLV14042BDR2G](#) [M22W-1333-21/3/45-90-02](#) [\(NI 2.L18.001-21](#) [2.T18.001-21](#) [2.T18.002-18](#) [2.T18.006-18](#) [CQ/AA-KEY](#) [CQ/A-M22X1,5-45-28](#) [CQ/A-M22X1,5-45-32](#) [M22-2-D5-2-21-01-P](#) [CY74FCT2373CTSOC](#) [421283](#) [MM74HC373WM](#) [MM74HC573WM](#) [74LCX373MTC](#) [74LVT16373MTDX](#) [74VHC373MX](#) [KLD5.001-02](#) [Z-0233-827-15](#) [MIC58P01YV](#) [74AHCT573D.112](#) [74LCX16373MTDX](#) [CQ/A-M22X1,5-45-16](#) [CQ/A-M22X1,5-45-18](#) [CQ/A-M22X1,5-45-20](#) [CQ/A-M22X1,5-45-24](#) [CQ/A-M22X1,5-45-30](#) [CQT/A-32-18 AE-V0](#) [CQT/A-32 20-AE-V0](#) [CQT/A-32 32-AE-V0](#) [CY54FCT841ATDMB](#) [TPIC6B273DWRG4](#) [Z-2106-25001-22](#) [2.904.005](#) [2.904.006](#) [2.904.008](#) [TC74HC573APF](#) [74HC373DB.112](#) [HEF4043BT.652](#) [2.KLB-D5.001PA-07](#)