

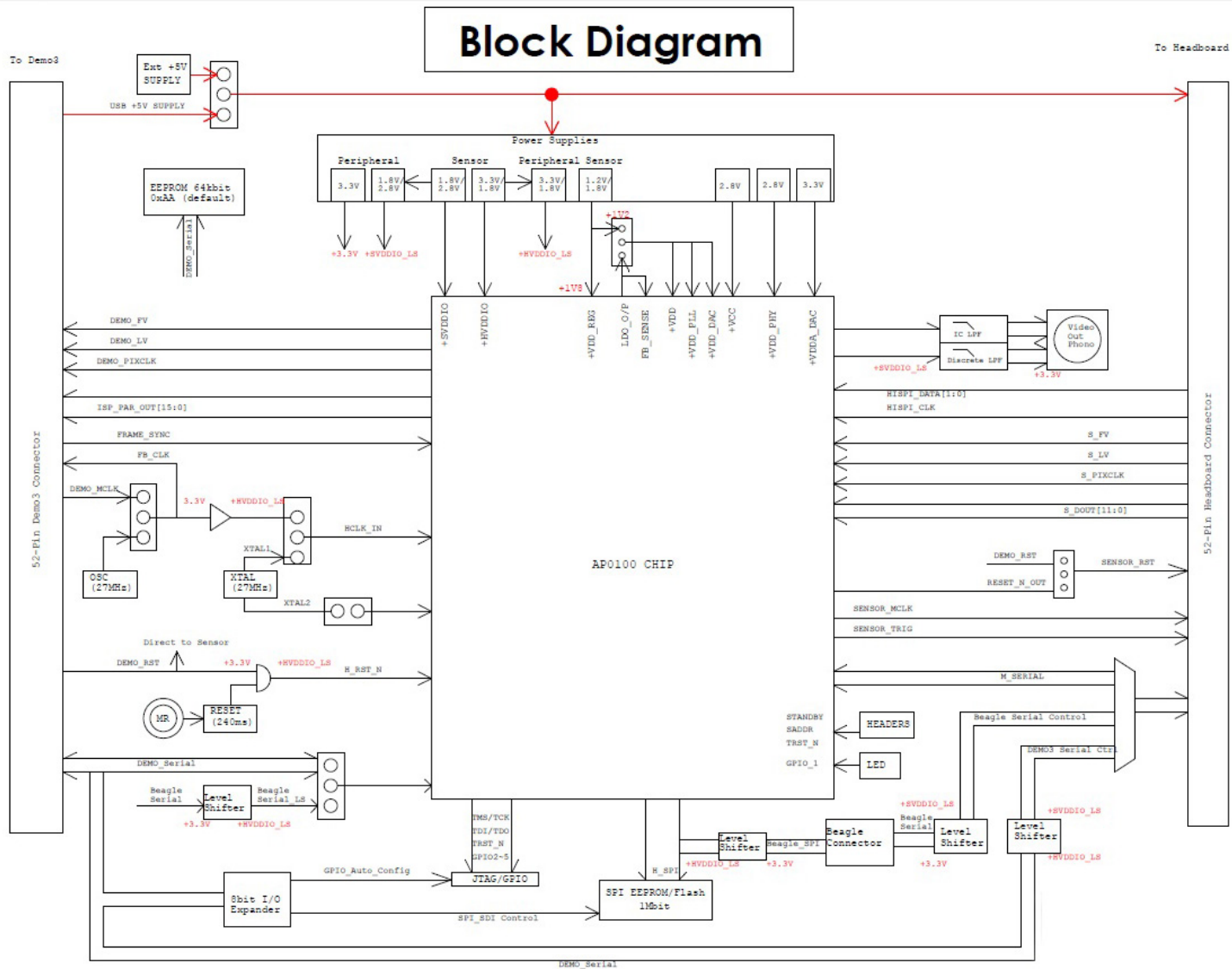


Schematic for the AP0100AT2L00XUGAH3-GEVB Evaluation Board

AP0100 100BGA HB DEMO3 Card

Page	Description
1	Title Page
2	Block Diagram
3	Pinout
4	AP0100 Companion chip
5	Clock, Reset and Auto Config
6	Power
7	BEAGLE Interface and Video Out
8	External Interfaces
9	Configuration Setting

Rev	Who	Date	Description
Rev 0.0	aralex	05/29/2014	Base Schematic for Custom Design
Rev 0.1	aralex	06/23/2014	implemented review comments after online review changed the reference designators in this schematic to align with those of the AP0101 board for ease of layout
	aralex	08/12/2014	deleted P4, P39 headers in order to use 1.2V internal regulator of ISP schematic cleanup
Rev 0.2	aralex	08/21/2014 08/24/2014	changed R44, R45, R46, R47, R53, R54, R60, R61, R62, R63, R69, R70 pkg from 0803 to 0402 Added R98, R67, R95, TP18, TP19
Rev 0.3	aralex	08/25/2014	Deleted R92 being redundant. modified connectivity of R91
Rev 0.4	aralex	08/26/2014	Changed TP13-15, TP18-19 from thru hole to SMT Deleted headers P39, P41, P5 and P8 to consolidate the 4 nets to one new 4 X 2 header, P52

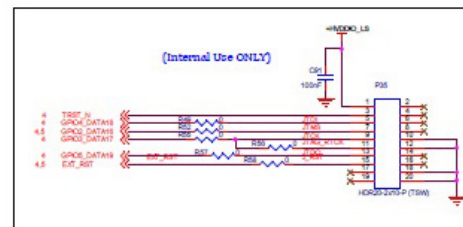
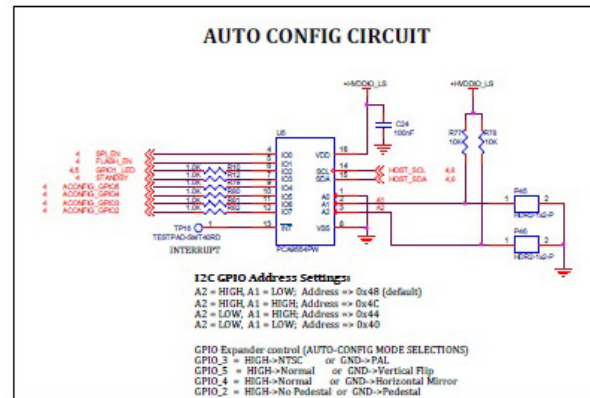
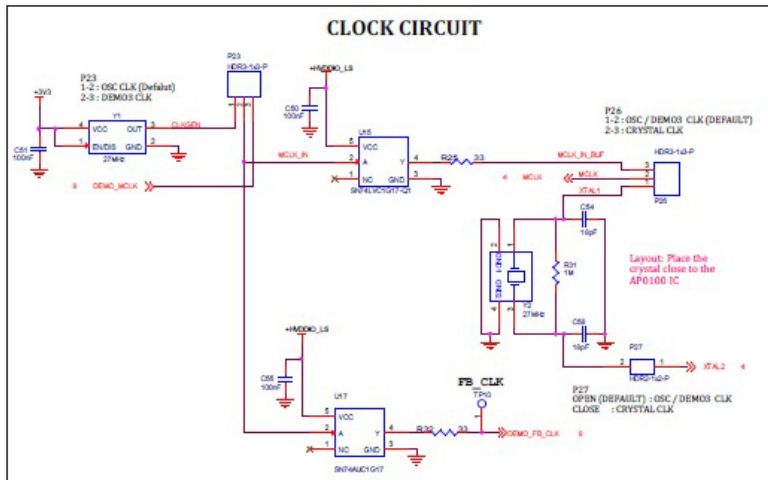
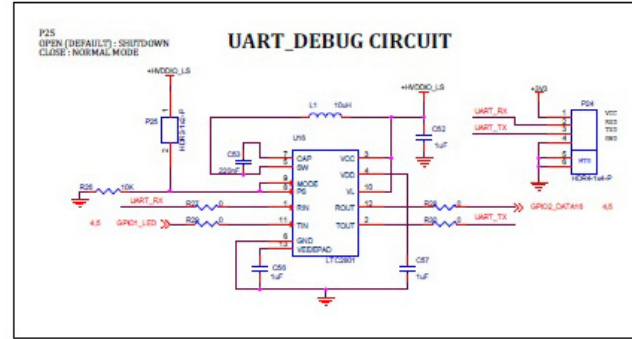
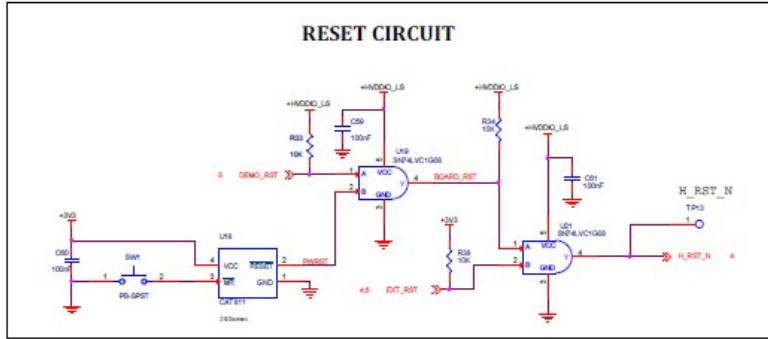




PINOUT

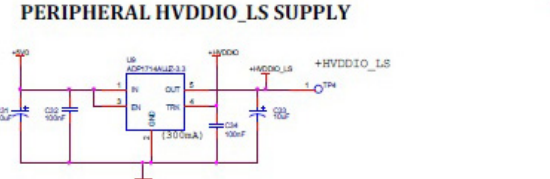
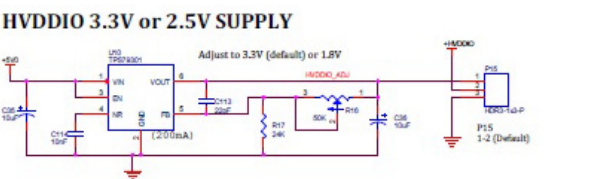
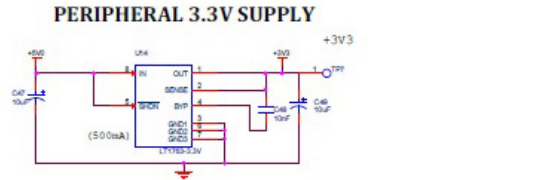
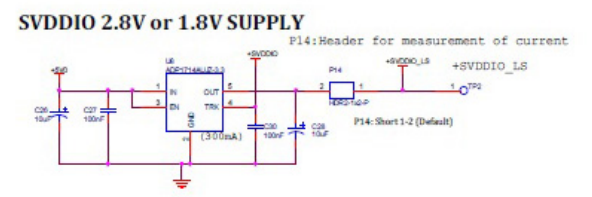
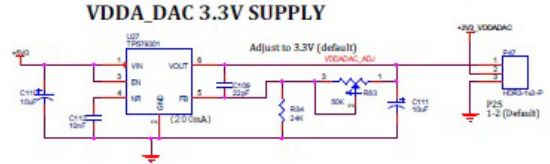
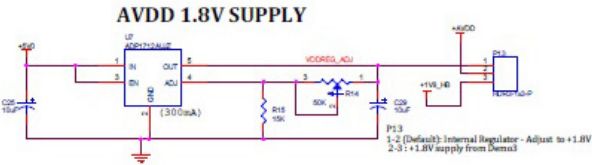
	1	2	3	4	5	6	7	8	9	10
A	00U11	00U13	00U14	LAC_HOLD	0P0_2	TRST_A	ST_SEI	USDR	SDM	ST400FF
B	00U75	00U76	00U74	FRAME_HOLD	0P0_3	0P0_5	0P_LCLK	00ATA	0P0_0	RESET_A_OUT
C	00U78	00U79	00U75	0P0_1	0P0_4	0P_LCLKA	0P_SE0	000L_RESET	000ATA	000CLK
D	00U75	00U78	00U77	000L_RESET	000L_RESET	VS0	FRAMC_SYNC	VS0	TV_IN	000L_OUT
E	00U75	00U73	00U74	000L_RESET	VS0	VS0	VS0	LV_IN	000L_IN	00U11
F	00U75	00U71	00U70	000L_RESET	VS0	VS0	VS0	000L_SENSOR	00U10	00U70
G	VS0	000_FILL_A	XTAL	VS0	VS0	VS0	VS0	00U10	00U7	00U6
H	000_FILL_RESET	000_FILL_RESET	000_BOOTUP	VS0	000_LHS	000_SEF	000A_L0K	000_PHY	00U4	00U5
J	000_RESET	000_RESET	000_RESET	000_RESET	000_RESET	000_RESET	000_RESET	000_RESET	00U3	00U2
K	000_RESET	000_RESET	000_RESET	000_RESET	000_RESET	000_RESET	000_RESET	000_RESET	00U1	00U0

Clock_Reset_UART_Auto config

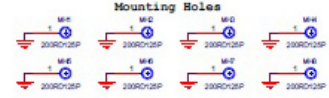
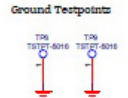
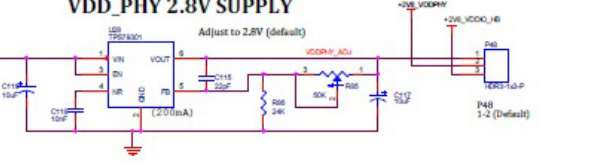
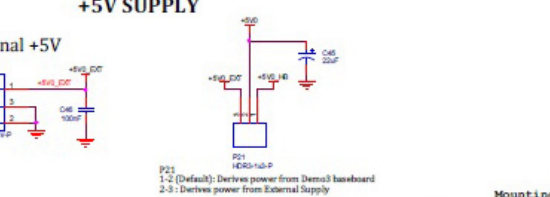
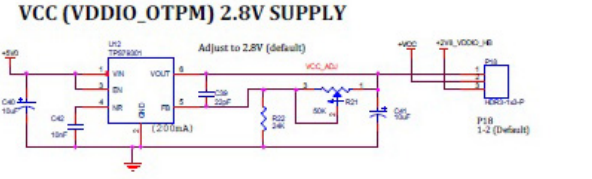
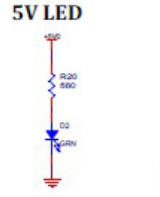


Power

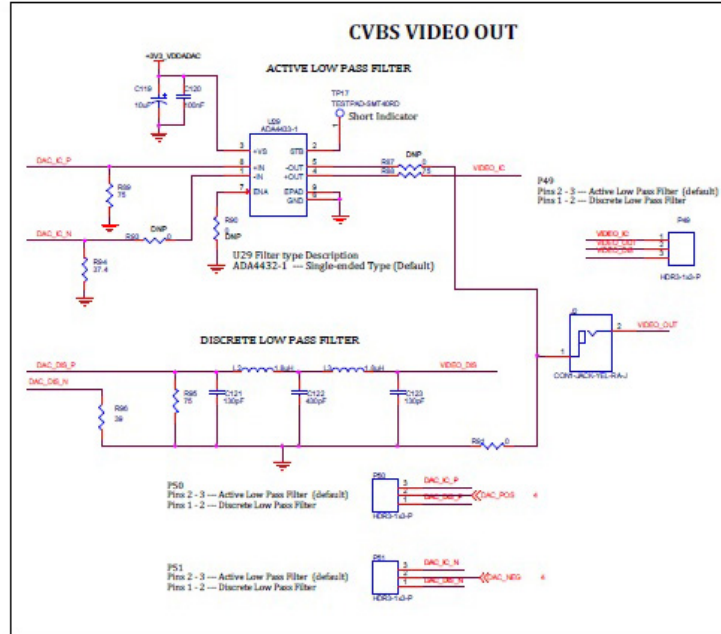
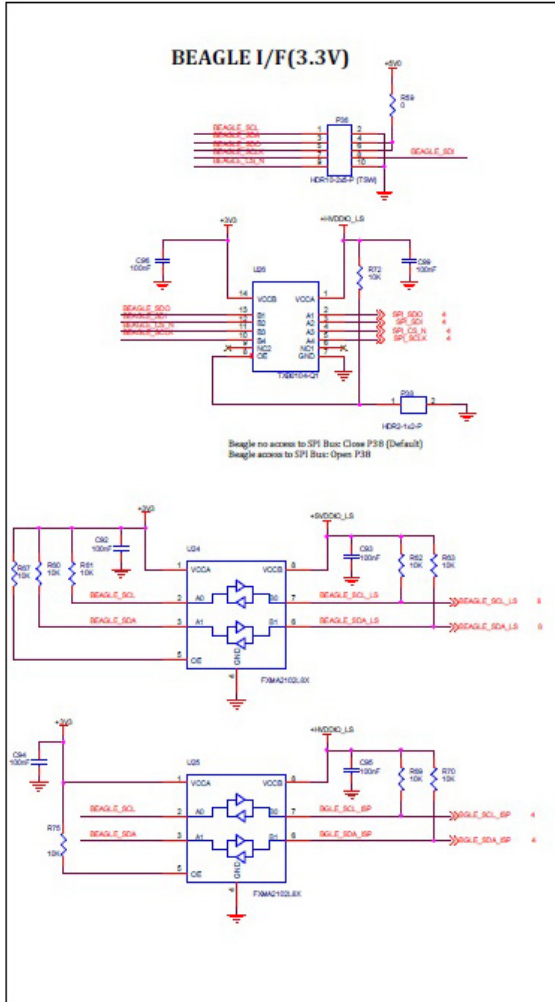
7	+5V
4	+VDD
8	+VDDIO
4	+VDDIO
8	+VDDIO
8	+VDDIO
4,7,9	+VDDIO_LS
4,5,7,8	+VDDIO_LS
4	+VCC
4	+2V1_VDDIO_HB
4	+2V1_VDDIO_LS
4,7	+2V1_VDDIO_LS



Layout: Mount LED on bottom side of PCB



BEAGLE Interface / Video Out



X-ON Electronics

Largest Supplier of Electrical and Electronic Components

Click to view similar products for [Optical Sensor Development Tools](#) category:

Click to view products by [ON Semiconductor](#) manufacturer:

Other Similar products are found below :

[MT9V034C12STCH-GEVB](#) [MT9V115EBKSTCH-GEVB](#) [416015300-3](#) [ISL29102IROZ-EVALZ](#) [MT9M021IA3XTMH-GEVB](#)
[AR1820HSSC12SHQAH3-GEVB](#) [AR1335CSSC11SMKAH3-GEVB](#) [MAXCAMOV10640#](#) [MT9M031I12STMH-GEVB](#) [TSL2581CS-DB](#)
[TMD3700-DB](#) [NANOUSB2.2](#) [ASX340AT3C00XPEDH3-GEVB](#) [AR0144ATSM20XUEAH3-GEVB](#) [AR0144CSSC00SUKAH3-GEVB](#)
[AR0522SRSC09SURAH3-GEVB](#) [AR0522SRSM09SURAH3-GEVB](#) [AR0521SR2C09SURAH3-GEVB](#) [MARS1-MAX9295A-GEVK](#)
[MARS1-MAX9296B-GEVB](#) [ISL29112IROZ-EVALZ](#) [AR0233AT2C17XUEAH3-GEVB](#) [AR0431CSSC14SMRAH3-GEVB](#) [MARS-DEMO3-](#)
[MIPI-GEVB](#) [TCS3430-DB](#) [AR0234CSSC00SUKAH3-GEVB](#) [AR0130CSSM00SPCAH-GEVB](#) [AR0330CM1C00SHAAH3-GEVB](#) [EVALZ-](#)
[ADPD2212](#) [TMD2772EVM](#) [TMG3993EVM](#) [MIKROE-2103](#) [TSL2672EVM](#) [1384](#) [MT9M114EBLSTCZDH-GEVB](#) [SEN0043](#) [SEN0162](#)
[TMD2771EVM](#) [TMD3782EVM](#) [TSL4531EVM](#) [1918](#) [AS7225](#) [DEMO KIT](#) [SEN0097](#) [SEN0212](#) [SEN0228](#) [AR0134CSSC00SUEAH3-GEVB](#)
[AP0100AT2L00XUGAH3-GEVB](#) [AR0144CSSM20SUKAH3-GEVB](#) [725-28915](#) [EVAL-ADPD1081Z-PPG](#)