

# ON Semiconductor

## Is Now

# onsemi™

To learn more about onsemi™, please visit our website at  
[www.onsemi.com](http://www.onsemi.com)

---

**onsemi** and **onsemi** and other names, marks, and brands are registered and/or common law trademarks of Semiconductor Components Industries, LLC dba "**onsemi**" or its affiliates and/or subsidiaries in the United States and/or other countries. **onsemi** owns the rights to a number of patents, trademarks, copyrights, trade secrets, and other intellectual property. A listing of **onsemi** product/patent coverage may be accessed at [www.onsemi.com/site/pdf/Patent-Marking.pdf](http://www.onsemi.com/site/pdf/Patent-Marking.pdf). **onsemi** reserves the right to make changes at any time to any products or information herein, without notice. The information herein is provided "as-is" and **onsemi** makes no warranty, representation or guarantee regarding the accuracy of the information, product features, availability, functionality, or suitability of its products for any particular purpose, nor does **onsemi** assume any liability arising out of the application or use of any product or circuit, and specifically disclaims any and all liability, including without limitation special, consequential or incidental damages. Buyer is responsible for its products and applications using **onsemi** products, including compliance with all laws, regulations and safety requirements or standards, regardless of any support or applications information provided by **onsemi**. "Typical" parameters which may be provided in **onsemi** data sheets and/or specifications can and do vary in different applications and actual performance may vary over time. All operating parameters, including "Typicals" must be validated for each customer application by customer's technical experts. **onsemi** does not convey any license under any of its intellectual property rights nor the rights of others. **onsemi** products are not designed, intended, or authorized for use as a critical component in life support systems or any FDA Class 3 medical devices or medical devices with a same or similar classification in a foreign jurisdiction or any devices intended for implantation in the human body. Should Buyer purchase or use **onsemi** products for any such unintended or unauthorized application, Buyer shall indemnify and hold **onsemi** and its officers, employees, subsidiaries, affiliates, and distributors harmless against all claims, costs, damages, and expenses, and reasonable attorney fees arising out of, directly or indirectly, any claim of personal injury or death associated with such unintended or unauthorized use, even if such claim alleges that **onsemi** was negligent regarding the design or manufacture of the part. **onsemi** is an Equal Opportunity/Affirmative Action Employer. This literature is subject to all applicable copyright laws and is not for resale in any manner. Other names and brands may be claimed as the property of others.

# AX-SFAZ, AX-SFAZ-API

## Ultra-Low Power, AT Command / API Controlled, Sigfox<sup>®</sup> Compliant Transceiver IC for Up-Link and Down-Link



ON Semiconductor<sup>®</sup>

[www.onsemi.com](http://www.onsemi.com)

### OVERVIEW

#### Circuit Description

AX-SFAZ and AX-SFAZ-API are ultra-low power single chip solutions for a node on the Sigfox network with both up- and down-link functionality. The AX-SFAZ chip is delivered fully ready for operation and contains all the necessary firmware to transmit and receive data from the Sigfox network in Australia/New Zealand (SIGFOX RCZ4 region). It connects to the customer product using a logic level RS232 UART. AT commands are used to send frames and configure radio parameters.

The AX-SFAZ-API variant is intended for customers wishing to write their own application software based on the AX-SF-LIB-1-GEVK library.

#### Features

##### Functionality and Ecosystem

- Sigfox up-link and down-link functionality controlled by AT commands or API
- The AX-SFAZ and AX-SF-API ICs are part of a whole development and product ecosystem available from ON Semiconductor for any Sigfox requirement. Other parts of the ecosystem include
  - ◆ Ready to go development kit DVK-SFAZ-[API]-1-GEVK including a 2 year Sigfox subscription
  - ◆ Sigfox Ready<sup>®</sup> certified reference design for the AX-SFAZ and AX-SFAZ-API ICs

##### General Features

- QFN40 5 mm x 7 mm package
- Supply range 2.7 V\* – 3.6 V
- –40°C to 85°C
- Temperature sensor
- Supply voltage measurements

\*Includes the RF frontend module, circuit as in Figure 5.  
The AX-SFAZ chip alone is operational from 1.8 V to 3.6 V, a supply voltage below 2.0 V is considered an extreme condition.

- 8 GPIO pins
  - ◆ 2 GPIO pins with selectable voltage measure functionality, differential (1 V or 10 V range) or single ended (1 V range) with 10 bit resolution
  - ◆ 2 GPIO pins with selectable sigma delta DAC output functionality
  - ◆ 2 GPIO pins with selectable output clock
  - ◆ 3 GPIO pins selectable as SPI master interface
  - ◆ RX/TX switching Control

##### Power Consumption

- Ultra-low Power Consumption:
  - ◆ Charge required to send a Sigfox OOB packet at 24 dBm output power: 0.28 C
  - ◆ Deepsleep mode current: 100 nA
  - ◆ Sleep mode current: 1.3 µA
  - ◆ Standby mode current: 0.5 mA
  - ◆ Continuous radio RX-mode at 922.3 MHz : 34 mA
  - ◆ Continuous radio TX-mode at 920.8 MHz 230 mA @ 24 dBm

##### High Performance Narrow-band Sigfox RF Transceiver

- Receiver
  - ◆ Carrier frequency 922.3 MHz
  - ◆ Data-rate 600 bps FSK
  - ◆ Sensitivity –128 dBm @ 600 bps, 922.3 MHz, GFSK
  - ◆ 0 dBm maximum input power
- Transmitter
  - ◆ Carrier frequency 920.8 MHz
  - ◆ Data-rate 600 bps PSK
  - ◆ High efficiency, high linearity integrated power amplifier
  - ◆ Maximum output power 24 dBm

##### Applications

Sigfox networks up-link and down-link.

# AX-SFAZ, AX-SFAZ-API

## BLOCK DIAGRAM

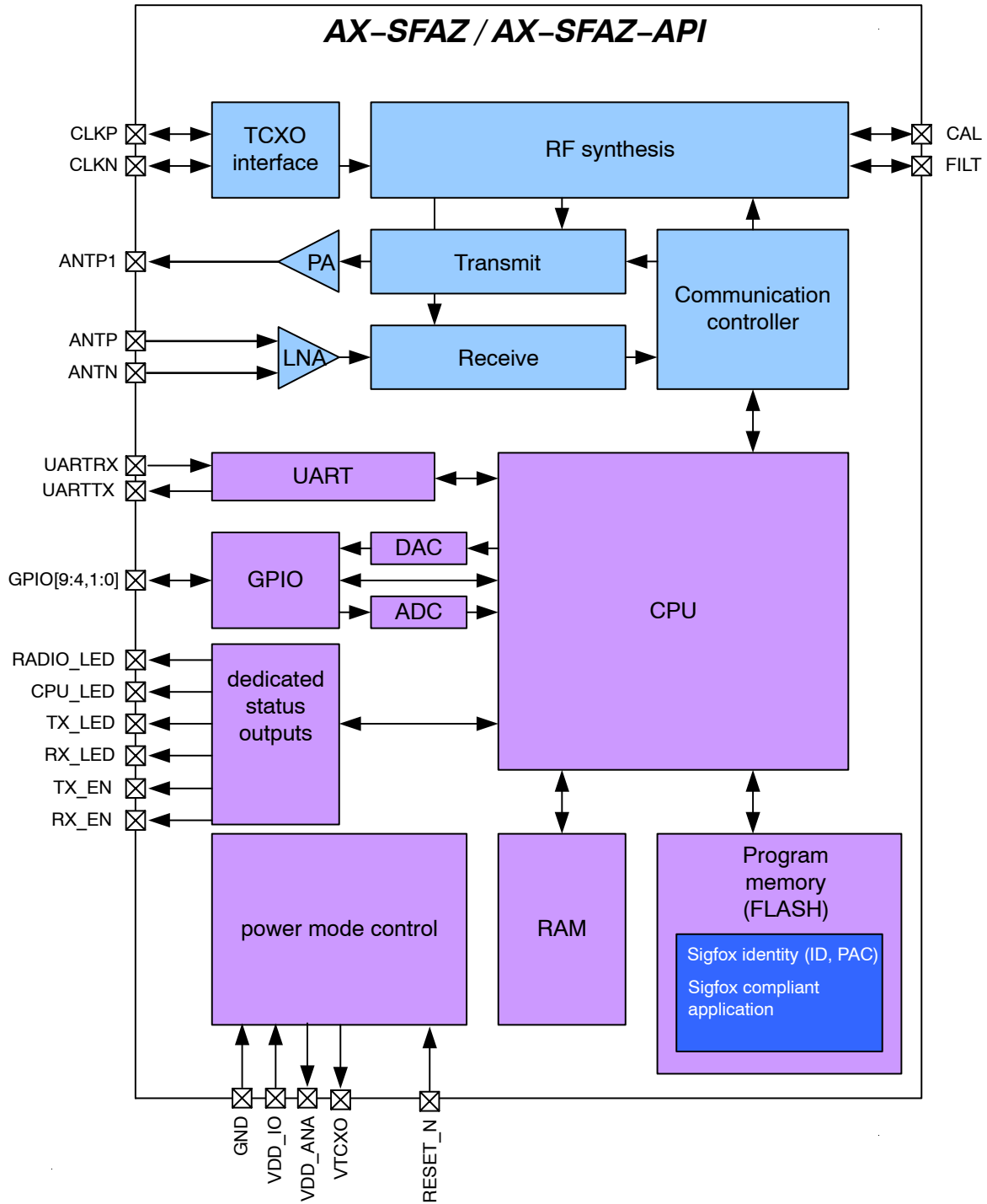


Figure 1. Functional Block Diagram of the AX-SFAZ / AX-SFAZ-API

## AX-SFAZ, AX-SFAZ-API

**Table 1. PIN FUNCTION DESCRIPTIONS**

| Symbol    | Pin(s) | Type     | Description   |
|-----------|--------|----------|---|
| VDD_ANA   | 1      | P        | Analog power output, decouple to neighboring GND  |
| GND       | 2      | P        | Ground, decouple to neighboring VDD_ANA   |
| ANTP      | 3      | A        | Differential receive input  |
| ANTN      | 4      | A        | Differential receive input  |
| ANTP1     | 5      | N        | Single ended transmit output  |
| GND       | 6      | P        | Ground, decouple to neighboring VDD_ANA   |
| VDD_ANA   | 7      | P        | Analog power output, decouple to neighboring GND  |
| GND       | 8      | P        | Ground  |
| FILT      | 9      | A        | Synthesizer filter  |
| L2        | 10     | A        | Must be connected to pin L1   |
| L1        | 11     | A        | Must be connected to pin L2   |
| NC        | 12     | N        | Do not connect  |
| GPIO8     | 13     | I/O/PU   | General purpose IO  |
| GPIO7     | 14     | I/O/PU   | General purpose IO, selectable SPI functionality (MISO)   |
| GPIO6     | 15     | I/O/PU   | General purpose IO, selectable SPI functionality (MOSI)   |
| GPIO5     | 16     | I/O/PU   | General purpose IO, selectable SPI functionality (SCK)  |
| GPIO4     | 17     | I/O/PU   | General purpose IO, selectable $\Sigma\Delta$ DAC functionality, selectable dock functionality  |
| CPU_LED   | 18     | O        | CPU activity indicator  |
| RADIO_LED | 19     | O        | Radio activity indicator  |
| VTCXO     | 20     | O        | TCXO power  |
| GPIO9     | 21     | I/O/PU   | General purpose IO, wakeup from deep sleep  |
| UARTTX    | 22     | O        | UART transmit   |
| UARTRX    | 23     | I/PU     | UART receive  |
| RX_LED    | 24     | O        | Receive activity indicator  |
| TX_LED    | 25     | O        | Transmit activity indicator   |
| NC        | 26     | PD       | Do not connect  |
| RESET_N   | 27     | I/PU     | Optional reset pin. Internal pull-up resistor is permanently enabled, nevertheless it is recommended to connect this pin to VDD_IO if it is not used. |
| GND       | 28     | P        | Ground  |
| VDD_IO    | 29     | P        | Unregulated power supply  |
| GPIO0     | 30     | I/O/A/PU | General purpose IO, selectable ADC functionality, selectable $\Sigma\Delta$ DAC functionality, selectable clock functionality                         |
| GPIO1     | 31     | I/O/A/PU | General purpose IO, selectable ADC functionality  |
| TX_EN     | 32     | O        | Transmitter Enable (to frontend)  |
| NC        | 33     | N        | Do not connect  |
| NC        | 34     | N        | Do not connect  |
| RX_EN     | 35     | O        | Receiver Enable (to frontend)   |
| VDD_IO    | 36     | P        | Unregulated power supply  |
| CAL       | 37     | A        | Connect to FILT as shown in the application diagram   |
| NC        | 38     | N        | Do not connect  |
| CLKN      | 39     | A        | TCXO interface  |

# AX-SFAZ, AX-SFAZ-API

**Table 1. PIN FUNCTION DESCRIPTIONS**

| Symbol | Pin(s)     | Type | Description                                    |
|--------|------------|------|--|
| CLKP   | 40         | A    | TCXO interface                                 |
| GND    | Center pad | P    | Ground on center pad of QFN, must be connected |

A = analog input  
 I = digital input signal  
 O = digital output signal  
 PU = pull-up  
 I/O = digital input/output signal  
 N = not to be connected  
 P = power or ground  
 PD = pull-down

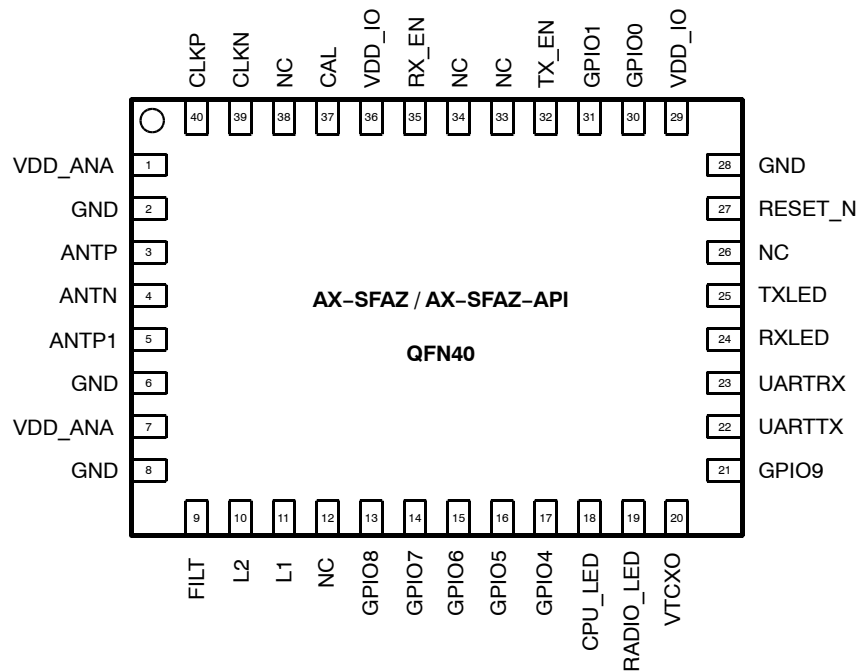
All digital inputs are Schmitt trigger inputs, digital input and output levels are LVCMOS/LVTTL compatible. Pins GPIO[3:0] must not be driven above VDD\_IO, all other digital inputs are 5 V tolerant. All GPIO pins and UARTRX start up as input with pull-up. For explanations on how to use the GPIO pins, see chapter “AT Commands”.

**Table 2.**

| Pin   | Possible GPIO Modes |
|-------|---------------------|
| GPIO0 | 0, 1, Z, U, A, T    |
| GPIO1 | 0, 1, Z, U, A       |
| GPIO4 | 0, 1, Z, U, T       |
| GPIO5 | 0, 1, Z, U          |
| GPIO6 | 0, 1, Z, U          |
| GPIO7 | 0, 1, Z, U          |
| GPIO8 | 0, 1, Z, U          |
| GPIO9 | 0, 1, Z, U          |

0 = pin drives  
 1 = not to be connected  
 Z = pin is high impedance input  
 U = pin is input with pull-up  
 A = pin is analog input  
 T = pin is driven by clock or DAC

## Pinout Drawing



**Figure 2. Pinout Drawing (Top View)**

**SPECIFICATIONS**

**Table 3. ABSOLUTE MAXIMUM RATINGS**

| Symbol           | Description                                      | Condition                     | Min   | Max  | Units |
|------------------|--|-------------------------------|-------|------|-------|
| VDD_IO           | Supply voltage                                   |                               | -0.5  | 5.5  | V     |
| IDD              | Supply current                                   |                               |       | 200  | mA    |
| P <sub>tot</sub> | Total power consumption                          |                               |       | 800  | mW    |
| P <sub>i</sub>   | Absolute maximum input power at receiver input   | ANTP and ANTN pins in RX mode |       | 10   | dBm   |
| I <sub>I1</sub>  | DC current into any pin except ANTP, ANTN, ANTP1 |                               | -10   | 10   | mA    |
| I <sub>I2</sub>  | DC current into pins ANTP, ANTN, ANTP1           |                               | -100  | 100  | mA    |
| I <sub>O</sub>   | Output Current                                   |                               |       | 40   | mA    |
| V <sub>ia</sub>  | Input voltage ANTP, ANTN, ANTP1 pins             |                               | -0.5  | 5.5  | V     |
|                  | Input voltage digital pins                       |                               | -0.5  | 5.5  | V     |
| V <sub>es</sub>  | Electrostatic handling                           | HBM                           | -2000 | 2000 | V     |
| T <sub>amb</sub> | Operating temperature                            |                               | -40   | 85   | °C    |
| T <sub>stg</sub> | Storage temperature                              |                               | -65   | 150  | °C    |
| T <sub>j</sub>   | Junction Temperature                             |                               |       | 150  | °C    |

Stresses exceeding those listed in the Maximum Ratings table may damage the device. If any of these limits are exceeded, device functionality should not be assumed, damage may occur and reliability may be affected.

1. Exposure to absolute maximum rating conditions for extended periods may affect device reliability.

# AX-SFAZ, AX-SFAZ-API

## DC Characteristics

**Table 4. SUPPLIES**

Conditions for all current and charge values unless otherwise specified are for the hardware configuration described in the AX-SFAZ Application Note: Sigfox Compliant Reference Design.

| Symbol                    | Description  | Condition                             | Min  | Typ  | Max | Units |
|---------------------------|--|---------------------------------------|------|------|-----|-------|
| T <sub>AMB</sub>          | Operational ambient temperature  |                                       | -40  | 27   | 85  | °C    |
| VDD <sub>IO</sub>         | I/O and voltage regulator supply voltage   |                                       | 1.8* | 3.3  | 3.6 | V     |
| VDD <sub>IO_R1</sub>      | I/O voltage ramp for reset activation; Note 1  | Ramp starts at VDD_IO ≤ 0.1 V         | 0.1  |      |     | V/ms  |
| VDD <sub>IO_R2</sub>      | I/O voltage ramp for reset activation; Note 1  | Ramp starts at 0.1 V < VDD_IO < 0.7 V | 3.3  |      |     | V/ms  |
| I <sub>DS</sub>           | Deep sleep mode current; Note 3  | AT\$P=2                               |      | 350  |     | nA    |
| I <sub>SLP</sub>          | Sleep mode current; Note 3   | AT\$P=1                               |      | 1.6  |     | μA    |
| I <sub>STDBY</sub>        | Standby mode current<br>Notes 2, 3   |                                       |      | 0.5  |     | mA    |
| I <sub>RX_CONT</sub>      | Current consumption continuous RX; Note 3  | AT\$TM=3,255                          |      | 34   |     | mA    |
| Q <sub>SFX_OOB_24</sub>   | Charge to send a Sigfox out of band message, 24 dBm; Note 3                                      | AT\$S0                                |      | 0.25 |     | C     |
| Q <sub>SFX_BIT_24</sub>   | Charge to send a bit, 24 dBm; Note 3   | AT\$SB=0                              |      | 0.16 |     | C     |
| Q <sub>SFX_BITDL_24</sub> | Charge to send a bit with downlink receive, 24 dBm; Note 3                                       | AT\$SB=0,1                            |      | 0.28 |     | C     |
| Q <sub>SFX_LFR_24</sub>   | Charge to send the longest possible Sigfox frame (12 byte) , 24 dBm; Note 3                      | AT\$SF=00112233445566778899aabb       |      | 0.24 |     | C     |
| Q <sub>SFX_LFRDL_24</sub> | Charge to send the longest possible Sigfox frame (12 byte) with downlink receive, 24 dBm; Note 3 | AT\$SF=00112233445566778899aabb,1     |      | 0.84 |     | C     |
| I <sub>TXMOD24AVG</sub>   | Modulated Transmitter Current; Note 3  | Pout=24 dBm; average                  |      | 230  |     | mA    |

\*The device is operational from 1.8 V to 3.6 V. However, a supply voltage below 2.0 V is considered an extreme condition and operation can lead to reduced output power and increased spurious emission.

1. If VDD\_IO ramps cannot be guaranteed, an external reset circuit is recommended, see the AX8052 Application Note: Power On Reset
2. Internal 20 MHz oscillator, voltage conditioning and supervisory circuit running.
3. Includes Front End Module, TCXO.

## Battery Life Examples

Scenario:

- 2 AAA Alkaline batteries in series
- One OOB frame transmitter per day at Pout=24 dBm
- Four maximum length frames with downlink receive per day at Pout=24 dBm
- Device in Sleep
- Neglecting battery self discharge

|                                  |                     |            |
|----------------------------------|---------------------|------------|
| 2 AAA alkaline capacity          | 1500 mAh * 3600 s/h | 5400 C     |
| Sleep charge per day             | 1.6 μA * 86400 s    | 0.14 C/day |
| OOB frame transmission           |                     | 0.25 C/day |
| Frame transmission with downlink | 4 * 0.84 C/day      | 3.36 C/day |
| Total Charge consumption         |                     | 3.75 C/day |
| Battery life                     |                     | 3.9 Years  |

# AX-SFAZ, AX-SFAZ-API

**Table 5. LOGIC**

| Symbol                 | Description   | Condition               | Min  | Typ  | Max    | Units |
|------------------------|---|-------------------------|------|------|--------|-------|
| <b>Digital Inputs</b>  |   |                         |      |      |        |       |
| V <sub>T+</sub>        | Schmitt trigger low to high threshold point                                     | VDD_IO = 3.3 V          |      | 1.55 |        | V     |
| V <sub>T-</sub>        | Schmitt trigger high to low threshold point                                     |                         |      | 1.25 |        | V     |
| V <sub>IL</sub>        | Input voltage, low  |                         |      |      | 0.8    | V     |
| V <sub>IH</sub>        | Input voltage, high   |                         | 2.0  |      |        | V     |
| V <sub>IPA</sub>       | Input voltage range, GPIO[3:0]  |                         | -0.5 |      | VDD_IO | V     |
| V <sub>IPBC</sub>      | Input voltage range, GPIO[9:4], UARTTX  |                         | -0.5 |      | 5.5    | V     |
| I <sub>L</sub>         | Input leakage current   |                         | -10  |      | 10     | μA    |
| R <sub>PU</sub>        | Programmable Pull-Up Resistance   |                         |      | 65   |        | kΩ    |
| <b>Digital Outputs</b> |   |                         |      |      |        |       |
| I <sub>OH</sub>        | Output Current, high<br>Ports GPIO[9:0], UARTTX, TXLED, RXLED,<br>TXLED, CPULED | V <sub>OH</sub> = 2.4 V | 8    |      |        | mA    |
| I <sub>OL</sub>        | Output Current, low<br>GPIO[9:0], UARTTX, TXLED, RXLED, TXLED,<br>CPULED        | V <sub>OL</sub> = 0.4 V | 8    |      |        | mA    |
| I <sub>oZ</sub>        | Tri-state output leakage current  |                         | -10  |      | 10     | μA    |

## AC Characteristics

**Table 6. TCXO REFERENCE INPUT**

| Symbol            | Description    | Condition  | Min | Typ | Max | Units |
|-------------------|----------------|--|-----|-----|-----|-------|
| f <sub>TCXO</sub> | TCXO frequency | A passive network between the TCXO output and the pins CLKP and CLKN is required.<br>For detailed TCXO network recommendations depending on the TCXO output swing refer to the AX5043 Application Note: Use with a TCXO Reference Clock.<br>For TCXO recommendations see the AX-SFAZ Application Note: Sigfox Compliant Reference Design |     | 48  |     | MHz   |

**Table 7. TRANSMITTER**

Conditions for transmitter specifications unless otherwise specified with the antenna network from AX-SFAZ Application Note: Sigfox Compliant Reference Design and at 902.2 MHz.

| Symbol               | Description                                 | Condition             | Min | Typ      | Max | Units |
|----------------------|---|-----------------------|-----|----------|-----|-------|
| SBR                  | Signal bit rate                             |                       |     | 100      |     | bps   |
| PTX                  | Highest Transmitter output power            | AT\$CW=902200000,1,24 |     | 24       |     | dBm   |
| dTX <sub>temp</sub>  | Transmitter power variation vs. temperature | -40°C to +85°C        |     | ±0.5     |     | dB    |
| dTX <sub>Vdd</sub>   | Transmitter power variation vs. VDD_IO      | 2.7 to 3.6 V          |     | -2/+0.2* |     | dB    |
| PTX <sub>harm2</sub> | Emission @ 2 <sup>nd</sup> harmonic         |                       |     | -46      |     | dBc   |
| PTX <sub>harm3</sub> | Emission @ 3 <sup>rd</sup> harmonic         |                       |     | -50      |     |       |
| PTX <sub>harm4</sub> | Emission @ 4 <sup>th</sup> harmonic         |                       |     | -51      |     |       |

\*Relation between VddIO and output power.



# AX-SFAZ, AX-SFAZ-API

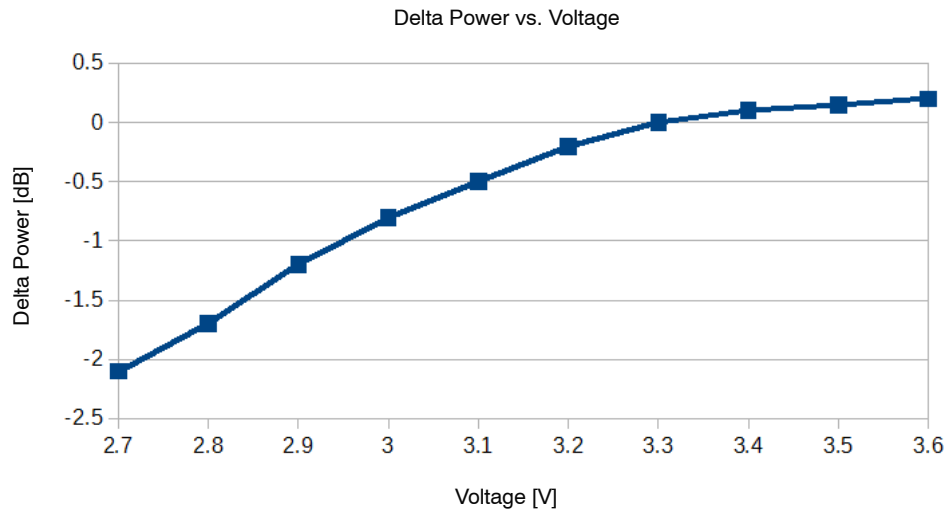


Figure 3. Typical Relation between Output Power and VddIO

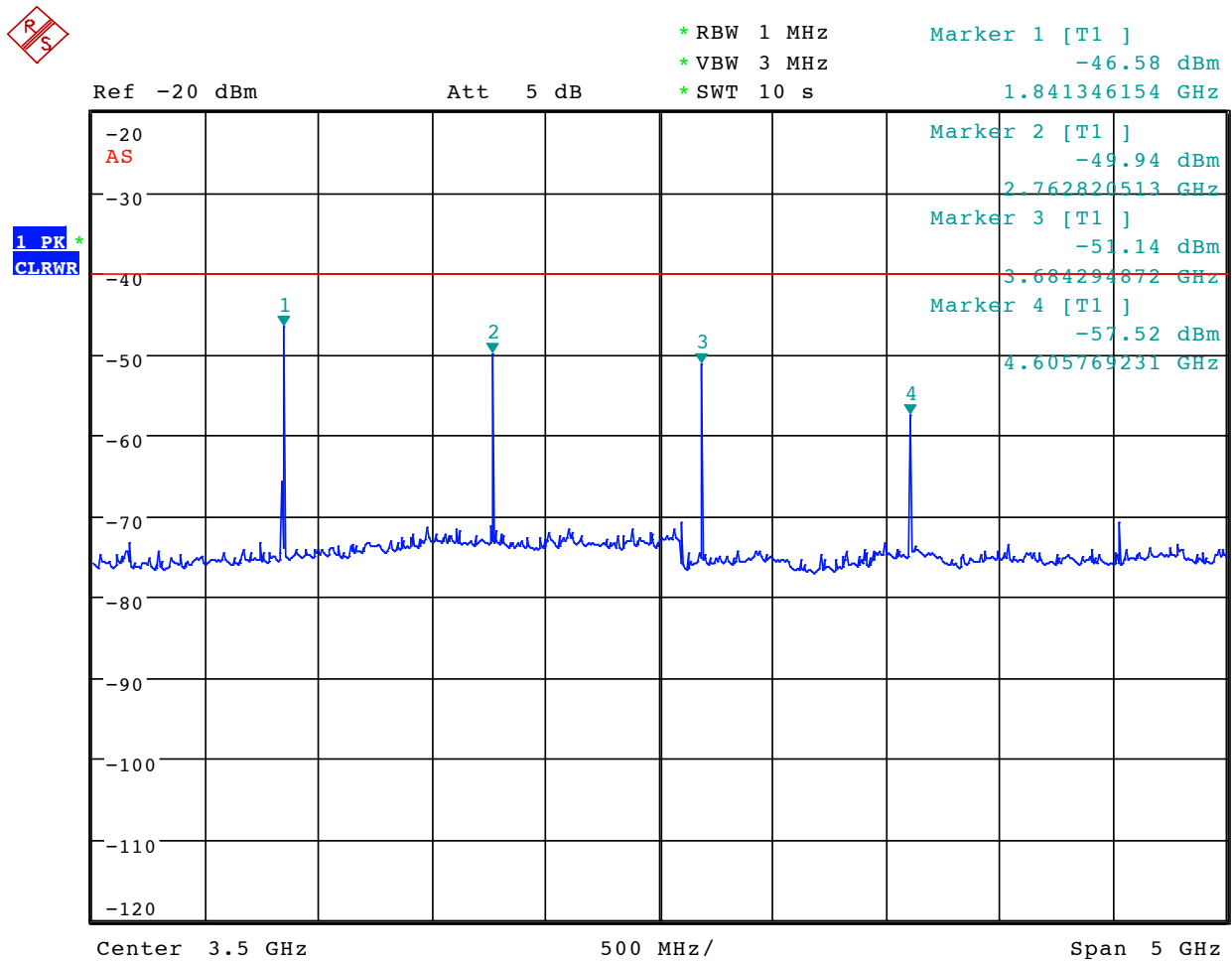


Figure 4. Typical Spectrum with Harmonics at 24 dBm Output Power

## AX-SFAZ, AX-SFAZ-API

**Table 8. RECEIVER**

Conditions for transmitter specifications unless otherwise specified with the antenna network from AX-SFAZ Application Note: Sigfox Compliant Reference Design and at 920.8 MHz.

| Symbol               | Description                | Condition   | Min | Typ  | Max | Units |
|----------------------|----------------------------|---|-----|------|-----|-------|
| SBR                  | Signal bit rate            |   |     | 600  |     | bps   |
| IS <sub>BER868</sub> |                            | AT\$SB=x,1, AT\$SF=x,1,<br>AT\$TM=3,x PER < 0.1   |     | -128 |     | dBm   |
| BLK <sub>905</sub>   | Blocking at ±10 MHz offset | Channel/Blocker @ PER = 0.1, wanted signal level is +3 dB above the typical sensitivity, the blocker signal is CW |     | 78   |     | dB    |

## AX-SFAZ, AX-SFAZ-API

**Table 9. ADC / TEMPERATURE SENSOR**

| Symbol              | Description               | Condition | Min  | Typ | Max  | Units |
|---------------------|---------------------------|-----------|------|-----|------|-------|
| ADCRES              | ADC resolution            |           |      | 10  |      | Bits  |
| V <sub>ADCREf</sub> | ADC reference voltage     |           | 0.95 | 1   | 1.05 | V     |
| Z <sub>ADC00</sub>  | Input capacitance         |           |      |     | 2.5  | pF    |
| DNL                 | Differential nonlinearity |           |      | ± 1 |      | LSB   |
| INL                 | Integral nonlinearity     |           |      | ± 1 |      | LSB   |
| OFF                 | Offset                    |           |      | 3   |      | LSB   |
| GAIN_ERR            | Gain error                |           |      | 0.8 |      | %     |

**ADC in Differential Mode**

|                        |  |          |      |  |        |    |
|------------------------|--|----------|------|--|--------|----|
| V <sub>ABS_DIFF</sub>  | Absolute voltages & common mode voltage in differential mode at each input |          | 0    |  | VDD_IO | V  |
| V <sub>FS_DIFF01</sub> | Full swing input for differential signals                                  | Gain x1  | -500 |  | 500    | mV |
| V <sub>FS_DIFF10</sub> |  | Gain x10 | -50  |  | 50     | mV |

**ADC in Single Ended Mode**

|                      |   |         |   |     |        |   |
|----------------------|---|---------|---|-----|--------|---|
| V <sub>MID_SE</sub>  | Mid code input voltage in single ended mode |         |   | 0.5 |        | V |
| V <sub>IN_SE00</sub> | Input voltage in single ended mode          |         | 0 |     | VDD_IO | V |
| V <sub>FS_SE01</sub> | Full swing input for single ended signals   | Gain x1 | 0 |     | 1      | V |

**Temperature Sensor**

|                      |                   |        |     |  |    |    |
|----------------------|-------------------|--------|-----|--|----|----|
| T <sub>RNG</sub>     | Temperature range | AT\$T? | -40 |  | 85 | °C |
| T <sub>ERR_CAL</sub> | Temperature error | AT\$T? | -2  |  | 2  | °C |

COMMAND INTERFACE

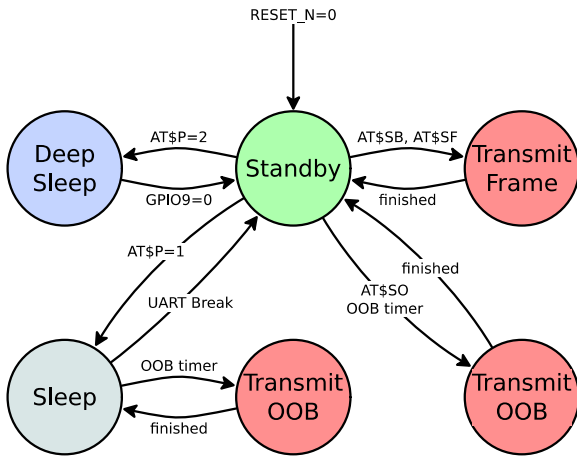
General Information

The chapter “Command Interface” is a documentation of the AT-Command set for devices which do not have an API-interface. To see whether the device is capable of receiving AT-Commands, please refer to chapter “Part Numbers”. If the device has been shipped with the API-Interface, please refer to the SW manual and “apixample” code delivered with AX-SF-LIB-1-GEVK for an introduction on how to setup a project and how to use the API-Interface.

Serial Parameters: 9600, 8, N, 1

The AX-SFAZ uses the UART (pins UARTTX, UARTRX) to communicate with a host and uses a bitrate of 9600 baud, no parity, 8 data bits and one stop bit.

Power Modes



Standby

After Power-Up and after finishing a SIGFOX transmission, AX-SFAZ enters Standby mode. In Standby mode, AX-SFAZ listens on the UART for commands from the host. Also, OOB frames are transmitted whenever the OOB timer fires. To conserve power, the AX-SFAZ can be put into Sleep or turned off (Deep Sleep) completely.

Sleep

The command **AT\$P=1** is used to put the AX-SFAZ into Sleep mode. In this mode, only the wakeup timer for out-of-band messages is still running. To wake the AX-SFAZ up from Sleep mode toggle the serial UARTRX pin, e.g. by sending a break (break is an RS232 framing violation, i.e. at least 10 bit durations low). When an Out of Band (OOB) message is due, AX-SFAZ automatically wakes up to transmit the message, and then returns to Sleep mode.

Deep Sleep

In Deep Sleep mode, the AX-Sigfox is completely turned off and only draws negligible leakage current. Deep Sleep

mode can be activated with **AT\$P=2**. To wake-up from Deep Sleep mode, GPIO9 is pulled to GND.

When using Deep Sleep mode, keep two things in mind: Everything is turned off, timers are not running at all and all settings will be lost (use **AT\$WR** to save settings to flash before entering Deep Sleep mode). Out-of-band messages will therefore not be sent. The pins states are frozen in Deep Sleep mode. The user must ensure that this will not result in condition which would draw a lot of current.

AT Commands

Numerical Syntax

- hexdigit ::= [0-9A-Fa-f]
- hexnum ::= “0x” hexdigit+
- decnum ::= “0” | [1-9] [0-9]\*
- octnum ::= “0” [0-7]+
- binnum ::= “0b” [01]+
- bit ::= [01]
- optnum ::= “-1”
- frame ::= (hexdigit hexdigit)+
- uint ::= hexnum | decnum | octnum | binnum
- uint\_opt ::= uint | optnum

Command Syntax

A command starts with ‘AT’ (everything is case sensitive!), continues with the actual command followed by parameters (if any) and ends with any kind of whitespace (space, tab, newline etc.)

If incorrect syntax is detected (“parsing error”) all input is ignored up until the next whitespace character.

Also note that any number can be entered in any format (Hexadecimal, Decimal, Octal and binary) by adding the corresponding prefix (‘0x’, ‘0’, ‘0b’). The only exception is the ‘Send Frame’ command (**AT\$SF**) which expects a list of hexadecimal digits without any prefix.

Return Codes

A successful command execution is indicated by sending ‘OK’. If a command returns a value (e.g. by querying a register) only the value is returned.

Examples

Bold text is sent to AX-SFAZ.

**AT\$I=0**

AXSEM AT Command Interface

Here, we execute command ‘I’ to query some general information.

**AT\$SF=aabb1234**

OK

This sends a Sigfox frame containing { 0x00 : 0x11 : 0x22 : 0x33 : 0x44 }, then waits for a downlink response telegram, which in this example contains { 0xAA : 0xBB : 0xCC : 0xDD }.

## AX-SFAZ, AX-SFAZ-API

AT\$CB=0011223344,1

OK

RX=AA BB CC DD

This sends a Sigfox frame containing { 0xAA : 0xBB : 0x12 : 0x34 } without waiting for a response telegram.

AT\$CB=0xAA,1

OK

The 'CB' command sends out a continuous pattern of bits, in this case 0xAA = 0b10101010.

AT\$P=1

OK

This transitions the device into sleep mode. Out-of-band transmissions will still be triggered. The UART is powered down. The device can be woken up by a low level on the UART signal, i.e. by sending break.

**Table 10. COMMANDS**

| Command                    | Name                              | Description   |      |       |             |           |                        |  |      |      |                                      |       |    |                             |
|----------------------------|-----------------------------------|---|------|-------|-------------|-----------|------------------------|--|------|------|--------------------------------------|-------|----|-----------------------------|
| AT                         | Dummy Command                     | Just returns 'OK' and does nothing else. Can be used to check communication.  |      |       |             |           |                        |  |      |      |                                      |       |    |                             |
| AT\$SB=bit[,bit]           | Send Bit                          | Send a bit status (0 or 1). Optional bit flag indicates if AX-SFAZ should receive a downlink frame.   |      |       |             |           |                        |  |      |      |                                      |       |    |                             |
| AT\$SF=frame[,bit]         | Send Frame                        | Send payload data, 1 to 12 bytes. Optional bit flag indicates if AX-SFAZ should receive a downlink frame.   |      |       |             |           |                        |  |      |      |                                      |       |    |                             |
| AT\$SO                     | Manually send out of band message | Send the out-of-band message.   |      |       |             |           |                        |  |      |      |                                      |       |    |                             |
| AT\$TR?                    | Get the transmit repeat           | Returns the number of transmit repeats. Default: 2  |      |       |             |           |                        |  |      |      |                                      |       |    |                             |
| AT\$TR=?                   | Get transmit range                | Returns the allowed range of transmit repeats.  |      |       |             |           |                        |  |      |      |                                      |       |    |                             |
| AT\$TR=uint                | Get transmit repeat               | Sets the transmit repeat.   |      |       |             |           |                        |  |      |      |                                      |       |    |                             |
| AT\$uint?                  | Get Register                      | Query a specific configuration register's value. See chapter "Registers" for a list of registers.   |      |       |             |           |                        |  |      |      |                                      |       |    |                             |
| AT\$uint=uint              | Set Register                      | Change a configuration register.  |      |       |             |           |                        |  |      |      |                                      |       |    |                             |
| AT\$uint=?                 | Get Register Range                | Returns the allowed range of transmit repeats.  |      |       |             |           |                        |  |      |      |                                      |       |    |                             |
| AT\$IF=uint                | Set TX Frequency                  | Set the output carrier macro channel for Sigfox frames.   |      |       |             |           |                        |  |      |      |                                      |       |    |                             |
| AT\$IF?                    | Get TX Frequency                  | Get the currently chosen TX frequency.  |      |       |             |           |                        |  |      |      |                                      |       |    |                             |
| AT\$DR=uint                | Set RX Frequency                  | Set the reception carrier macro channel for Sigfox frames.  |      |       |             |           |                        |  |      |      |                                      |       |    |                             |
| AT\$DR?                    | Get RX Frequency                  | Get the currently chosen RX frequency.  |      |       |             |           |                        |  |      |      |                                      |       |    |                             |
| AT\$CW=uint,bit[,uint_opt] | Continuous Wave                   | <p>To run emission tests for Sigfox certification it is necessary to send a continuous wave, i.e. just the base frequency without any modulation. Parameters:</p> <table border="1" style="width: 100%; border-collapse: collapse;"> <thead> <tr> <th>Name</th> <th>Range</th> <th>Description</th> </tr> </thead> <tbody> <tr> <td>Frequency</td> <td>800000000–999999999, 0</td> <td>Continuous wave frequency in Hz. Use 902200000 for Sigfox or 0 to keep previous frequency.</td> </tr> <tr> <td>Mode</td> <td>0, 1</td> <td>Enable or disable carrier wave.</td> </tr> <tr> <td>Power</td> <td>24</td> <td>dBm of signal   Default: 24</td> </tr> </tbody> </table> | Name | Range | Description | Frequency | 800000000–999999999, 0 | Continuous wave frequency in Hz. Use 902200000 for Sigfox or 0 to keep previous frequency. | Mode | 0, 1 | Enable or disable carrier wave.      | Power | 24 | dBm of signal   Default: 24 |
| Name                       | Range                             | Description   |      |       |             |           |                        |  |      |      |                                      |       |    |                             |
| Frequency                  | 800000000–999999999, 0            | Continuous wave frequency in Hz. Use 902200000 for Sigfox or 0 to keep previous frequency.  |      |       |             |           |                        |  |      |      |                                      |       |    |                             |
| Mode                       | 0, 1                              | Enable or disable carrier wave.   |      |       |             |           |                        |  |      |      |                                      |       |    |                             |
| Power                      | 24                                | dBm of signal   Default: 24   |      |       |             |           |                        |  |      |      |                                      |       |    |                             |
| AT\$CB=uint_opt,bit        | Test Mode: TX constant byte       | <p>For emission testing it is useful to send a specific bit pattern. The first parameter specifies the byte to send. Use '-1' for a (pseudo-)random pattern. Parameters:</p> <table border="1" style="width: 100%; border-collapse: collapse;"> <thead> <tr> <th>Name</th> <th>Range</th> <th>Description</th> </tr> </thead> <tbody> <tr> <td>Pattern</td> <td>0–255, -1</td> <td>Byte to send. Use '-1' for a (pseudo-)random pattern.</td> </tr> <tr> <td>Mode</td> <td>0, 1</td> <td>Enable or disable pattern test mode.</td> </tr> </tbody> </table>  | Name | Range | Description | Pattern   | 0–255, -1              | Byte to send. Use '-1' for a (pseudo-)random pattern.                                      | Mode | 0, 1 | Enable or disable pattern test mode. |       |    |                             |
| Name                       | Range                             | Description   |      |       |             |           |                        |  |      |      |                                      |       |    |                             |
| Pattern                    | 0–255, -1                         | Byte to send. Use '-1' for a (pseudo-)random pattern.   |      |       |             |           |                        |  |      |      |                                      |       |    |                             |
| Mode                       | 0, 1                              | Enable or disable pattern test mode.  |      |       |             |           |                        |  |      |      |                                      |       |    |                             |
| AT\$RC                     | Reset Macrochannel                | This command resets the Macrochannel. Subsequent transmit operations (AT\$SO, AT\$SB, AT\$SF) may pause up to 20 s to ensure compliance   |      |       |             |           |                        |  |      |      |                                      |       |    |                             |
| AT\$T?                     | Get Temperature                   | Measure internal temperature and return it in 1/10 <sup>th</sup> of a degree Celsius.   |      |       |             |           |                        |  |      |      |                                      |       |    |                             |

## AX-SFAZ, AX-SFAZ-API

**Table 10. COMMANDS**

| Command    | Name  | Description  |      |             |    |                  |    |                 |    |                             |    |                           |    |   |    |   |    |            |    |            |
|------------|---|--|------|-------------|----|------------------|----|-----------------|----|-----------------------------|----|---------------------------|----|---|----|---|----|------------|----|------------|
| AT\$V?     | Get Voltages  | Return current voltage and voltage measured during the last transmission in mV.  |      |             |    |                  |    |                 |    |                             |    |                           |    |   |    |   |    |            |    |            |
| AT\$I=uint | Information   | <p>Display various product information:</p> <p>0: Software Name &amp; Version<br/>Example Response: AX-Sigfox 1.2-RCZ4</p> <p>1: Contact Details<br/>Example Response: support@axsem.com</p> <p>2: Silicon revision lower byte<br/>Example Response: 8F</p> <p>3: Silicon revision upper byte<br/>Example Response: 51</p> <p>4: Major Firmware Version<br/>Example Response: 1</p> <p>5: Minor Firmware Version<br/>Example Response: 1</p> <p>7: Firmware Variant (Frequency Band etc. (EU/US))<br/>Example Response: RCZ4</p> <p>9: SIGFOX Library Version<br/>Example Response: UDL1-1.8.9</p> <p>10: Device ID<br/>Example Response: 00012345</p> <p>11: PAC<br/>Example Response: 0123456789ABCDEF</p>   |      |             |    |                  |    |                 |    |                             |    |                           |    |   |    |   |    |            |    |            |
| AT\$P=uint | Set Power Mode  | <p>To conserve power, the AX-SFAZ can be put to sleep manually. Depending on power mode, you will be responsible for waking up the AX-SFAZ again!</p> <p>0: software reset (settings will be reset to values in flash)</p> <p>1: sleep (send a break to wake up)</p> <p>2: deep sleep (toggle GPIO9 or RESET_N pin to wake up; the AX-SFAZ is not running and all settings will be reset!)</p>   |      |             |    |                  |    |                 |    |                             |    |                           |    |   |    |   |    |            |    |            |
| AT\$WR     | Save Config   | <p>Write all settings to flash (RX/TX frequencies, registers) so they survive reset/deep sleep or loss of power.</p> <p>Use AT\$P=0 to reset the AX-SFAZ and load settings from flash.</p>   |      |             |    |                  |    |                 |    |                             |    |                           |    |   |    |   |    |            |    |            |
| AT:Pn?     | Get GPIO Pin  | <p>Return the setting of the GPIO Pin <i>n</i>; <i>n</i> can range from 0 to 9. A character string is returned describing the mode of the pin, followed by the actual value. If the pin is configured as analog pin, then the voltage (range 0...1 V) is returned. The mode characters have the following meaning:</p> <table border="1" style="width: 100%; border-collapse: collapse;"> <thead> <tr> <th style="text-align: left;">Mode</th> <th style="text-align: left;">Description</th> </tr> </thead> <tbody> <tr> <td>0</td> <td>Pin drives low</td> </tr> <tr> <td>1</td> <td>Pin drives high</td> </tr> <tr> <td>Z</td> <td>Pin is high impedance input</td> </tr> <tr> <td>U</td> <td>Pin is input with pull-up</td> </tr> <tr> <td>A</td> <td>Pin is analog input (GPIO pin 0...3 only)</td> </tr> <tr> <td>T</td> <td>Pin is driven by clock or DAC (GPIO pin 0 and 4 only)</td> </tr> </tbody> </table> <p>The default mode after exiting reset is U on all GPIO pins.</p> | Mode | Description | 0  | Pin drives low   | 1  | Pin drives high | Z  | Pin is high impedance input | U  | Pin is input with pull-up | A  | Pin is analog input (GPIO pin 0...3 only) | T  | Pin is driven by clock or DAC (GPIO pin 0 and 4 only) |    |            |    |            |
| Mode       | Description   |  |      |             |    |                  |    |                 |    |                             |    |                           |    |   |    |   |    |            |    |            |
| 0          | Pin drives low  |  |      |             |    |                  |    |                 |    |                             |    |                           |    |   |    |   |    |            |    |            |
| 1          | Pin drives high                                       |  |      |             |    |                  |    |                 |    |                             |    |                           |    |   |    |   |    |            |    |            |
| Z          | Pin is high impedance input                           |  |      |             |    |                  |    |                 |    |                             |    |                           |    |   |    |   |    |            |    |            |
| U          | Pin is input with pull-up                             |  |      |             |    |                  |    |                 |    |                             |    |                           |    |   |    |   |    |            |    |            |
| A          | Pin is analog input (GPIO pin 0...3 only)             |  |      |             |    |                  |    |                 |    |                             |    |                           |    |   |    |   |    |            |    |            |
| T          | Pin is driven by clock or DAC (GPIO pin 0 and 4 only) |  |      |             |    |                  |    |                 |    |                             |    |                           |    |   |    |   |    |            |    |            |
| AT:Pn=?    | Get GPIO Pin Range                                    | <p>Print a list of possible modes for a pin. The table below lists the response.</p> <table border="1" style="width: 100%; border-collapse: collapse;"> <thead> <tr> <th style="text-align: left;">Pin</th> <th style="text-align: left;">Modes</th> </tr> </thead> <tbody> <tr> <td>P0</td> <td>0, 1, Z, U, A, T</td> </tr> <tr> <td>P1</td> <td>0, 1, Z, U, A</td> </tr> <tr> <td>P4</td> <td>0, 1, Z, U, T</td> </tr> <tr> <td>P5</td> <td>0, 1, Z, U</td> </tr> <tr> <td>P6</td> <td>0, 1, Z, U</td> </tr> <tr> <td>P7</td> <td>0, 1, Z, U</td> </tr> <tr> <td>P8</td> <td>0, 1, Z, U</td> </tr> <tr> <td>P9</td> <td>0, 1, Z, U</td> </tr> </tbody> </table>  | Pin  | Modes       | P0 | 0, 1, Z, U, A, T | P1 | 0, 1, Z, U, A   | P4 | 0, 1, Z, U, T               | P5 | 0, 1, Z, U                | P6 | 0, 1, Z, U                                | P7 | 0, 1, Z, U  | P8 | 0, 1, Z, U | P9 | 0, 1, Z, U |
| Pin        | Modes   |  |      |             |    |                  |    |                 |    |                             |    |                           |    |   |    |   |    |            |    |            |
| P0         | 0, 1, Z, U, A, T                                      |  |      |             |    |                  |    |                 |    |                             |    |                           |    |   |    |   |    |            |    |            |
| P1         | 0, 1, Z, U, A   |  |      |             |    |                  |    |                 |    |                             |    |                           |    |   |    |   |    |            |    |            |
| P4         | 0, 1, Z, U, T   |  |      |             |    |                  |    |                 |    |                             |    |                           |    |   |    |   |    |            |    |            |
| P5         | 0, 1, Z, U  |  |      |             |    |                  |    |                 |    |                             |    |                           |    |   |    |   |    |            |    |            |
| P6         | 0, 1, Z, U  |  |      |             |    |                  |    |                 |    |                             |    |                           |    |   |    |   |    |            |    |            |
| P7         | 0, 1, Z, U  |  |      |             |    |                  |    |                 |    |                             |    |                           |    |   |    |   |    |            |    |            |
| P8         | 0, 1, Z, U  |  |      |             |    |                  |    |                 |    |                             |    |                           |    |   |    |   |    |            |    |            |
| P9         | 0, 1, Z, U  |  |      |             |    |                  |    |                 |    |                             |    |                           |    |   |    |   |    |            |    |            |
| AT:Pn=mode | Set GPIO Pin  | <p>Set the GPIO pin mode.</p> <p>For a list of the modes see the command AT:Pn?</p>  |      |             |    |                  |    |                 |    |                             |    |                           |    |   |    |   |    |            |    |            |

## AX-SFAZ, AX-SFAZ-API

**Table 10. COMMANDS**

| Command                   | Name                        | Description  |      |                 |             |   |        |        |   |        |           |   |          |        |   |          |           |
|---------------------------|-----------------------------|--|------|-----------------|-------------|---|--------|--------|---|--------|-----------|---|----------|--------|---|----------|-----------|
| AT:ADC Pn[-Pn[(1V 10V)]]? | Get GPIO Pin Analog Voltage | Measure the voltage applied to a GPIO pin. The command also allows measurement of the voltage difference across two GPIO pins. In differential mode, the full scale range may also be specified as 1 V or 10 V. Note however that the pin input voltages must not exceed the range 0..VDD <sub>IO</sub> . The command returns the result as fraction of the full scale range (1 V if none is specified). The GPIO pins referenced should be initialized to analog mode before issuing this command.  |      |                 |             |   |        |        |   |        |           |   |          |        |   |          |           |
| AT:SPI[(A B C D)]=bytes   | SPI Transaction             | <p>This command clocks out <i>bytes</i> on the SPI port. The clock frequency is 312.5 kHz. The command returns the bytes read on MISO during output. Optionally the clocking mode may be specified (default is A):</p> <table border="1" style="margin-left: 20px;"> <thead> <tr> <th>Mode</th> <th>Clock Inversion</th> <th>Clock Phase</th> </tr> </thead> <tbody> <tr> <td>A</td> <td>normal</td> <td>normal</td> </tr> <tr> <td>B</td> <td>normal</td> <td>alternate</td> </tr> <tr> <td>C</td> <td>inverted</td> <td>normal</td> </tr> <tr> <td>D</td> <td>inverted</td> <td>alternate</td> </tr> </tbody> </table> <div style="margin-left: 20px;"> </div> <p>Note that SEL, if needed, is not generated by this command, and must instead be driven using standard GPIO commands (AT:Pn=0 1).</p> | Mode | Clock Inversion | Clock Phase | A | normal | normal | B | normal | alternate | C | inverted | normal | D | inverted | alternate |
| Mode                      | Clock Inversion             | Clock Phase  |      |                 |             |   |        |        |   |        |           |   |          |        |   |          |           |
| A                         | normal                      | normal   |      |                 |             |   |        |        |   |        |           |   |          |        |   |          |           |
| B                         | normal                      | alternate  |      |                 |             |   |        |        |   |        |           |   |          |        |   |          |           |
| C                         | inverted                    | normal   |      |                 |             |   |        |        |   |        |           |   |          |        |   |          |           |
| D                         | inverted                    | alternate  |      |                 |             |   |        |        |   |        |           |   |          |        |   |          |           |
| AT:CLK=freq,refreq        | Set Clock Generator         | Output a square wave on the pin(s) set to T mode. The frequency of the square wave is $(\text{freq} / 2^{16}) \times \text{refreq}$ . Possible values for refreq are 20000000, 10000000, 5000000, 2500000, 1250000, 625000, 312500, 156250. Possible values if freq are 0...65535.   |      |                 |             |   |        |        |   |        |           |   |          |        |   |          |           |
| AT:CLK=OFF                | Turn off Clock Generator    | Switch off the clock generator   |      |                 |             |   |        |        |   |        |           |   |          |        |   |          |           |
| AT:CLK?                   | Get Clock Generator         | Return the settings of the clock generator. Two numbers are returned, freq and refreq.   |      |                 |             |   |        |        |   |        |           |   |          |        |   |          |           |
| AT:DAC=value              | Set $\Sigma\Delta$ DAC      | Output a $\Sigma\Delta$ DAC value on the pin(s) set to T mode. Parameter value may be in the range -32768...32767. The average output voltage is $(1/2 + \text{value} / 2^{17}) \times VDD$ . An external low pass filter is needed to get smooth output voltages. The modulation frequency is 20 MHz. A possible low pass filter choice is a simple RC low pass filter with R = 10 k $\Omega$ and C = 1 $\mu$ F.  |      |                 |             |   |        |        |   |        |           |   |          |        |   |          |           |
| AT:DAC=OFF                | Turn off $\Sigma\Delta$ DAC | Switch off the DAC   |      |                 |             |   |        |        |   |        |           |   |          |        |   |          |           |
| AT:DAC?                   | Get $\Sigma\Delta$ DAC      | Return the DAC value   |      |                 |             |   |        |        |   |        |           |   |          |        |   |          |           |

## AX-SFAZ, AX-SFAZ-API

**Table 10. COMMANDS**

| Command            | Name                             | Description  |
|--------------------|----------------------------------|--|
| AT\$TM=mode,config | Activates the Sigfox Testmode    | Available test modes:<br>0. TX BPSK<br>Send only BPSK with Synchro Bit + Synchro frame + PN sequence: No hopping centered on the TX_frequency. Config bits 0 to 6 define the number of repetitions. Bit 7 of config defines if a delay is applied or not in the loop<br>1. TX Protocol:<br>Tx mode with full protocol with Sigfox key: Send Sigfox protocol frames with initiate downlink flag = True. Config defines the number of repetitions.<br>2. RX Protocol:<br>This mode tests the complete downlink protocol in Downlink only. Config defines the number of repetitions.<br>3. RX GFSK:<br>RX mode with known pattern with SB + SF + Pattern on RX_frequency (internal comparison with received frame ↔ known pattern = AA AA B2 27 1F 20 41 84 32 68 C5 BA AE 79 E7 F6 DD 9B. Config defines the number of repetitions. Config defines the number of repetitions.<br>4. RX Sensitivity:<br>Does uplink + downlink frame with Sigfox key and specific timings. This test is specific to SIGFOX's test equipments & softwares.<br>5. TX Synthesis:<br>Does one uplink frame on each Sigfox channel to measure frequency synthesis step |
| AT\$SE             | Starts AT\$TM-3,255 indefinitely | Convenience command for sensitivity tests  |
| AT\$SL[=frame]     | Send local loop                  | Sends a local loop frame with optional payload of 1 to 12 bytes. Default payload: 0x84, 0x32, 0x68, 0xC5, 0xBA, 0x53, 0xAE, 0x79, 0xE7, 0xF6, 0xDD, 0x9B.  |
| AT\$RL             | Receive local loop               | Starts listening for a local loop.   |

**Table 11. REGISTERS**

| Number | Name                         | Description  | Default                                   | Range | Units                           |
|--------|------------------------------|--|---|-------|---------------------------------|
| 300    | Out Of Band Period           | AX-SFAZ sends periodic static messages to indicate that they are alive. Set to 0 to disable.     | 24  | 0-24  | hours                           |
| 400    | Macrochannel Mask            | The mask of Macrochannels to use.  | <00000000><br><c0000000><br><0000007f>,63 |       |                                 |
| 410    | Encryption Key Configuration | Set to zero for normal operation. Set to one for use with the SIGFOX Network Emulator Kit (SNEK) | 0   | 0-1   | 0: private key<br>1: public key |



# AX-SFAZ, AX-SFAZ-API

## APPLICATION INFORMATION

### Typical Application Diagrams

Typical AX-SFAZ / AX-SFAZ-API Application Diagram

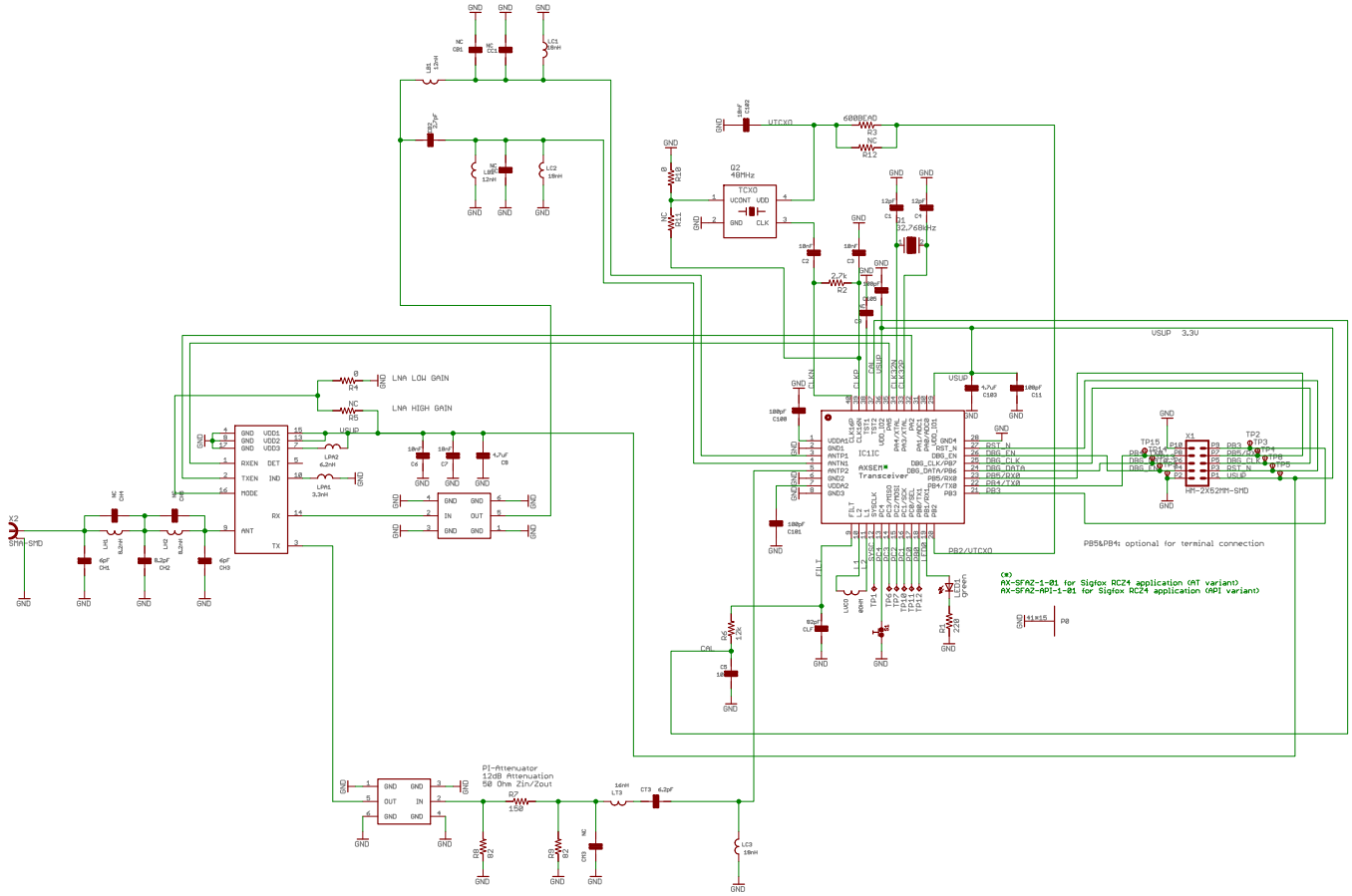


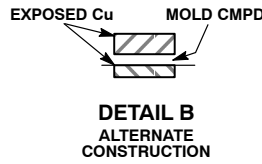
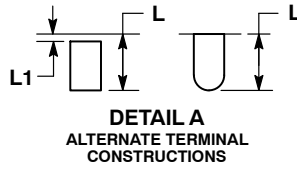
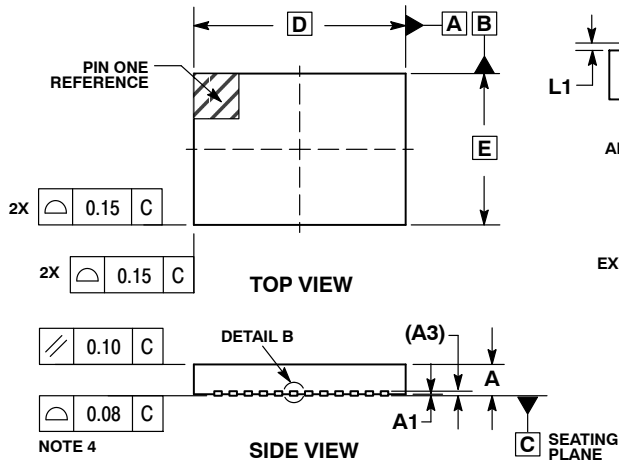
Figure 5. Typical Application Diagram

For detailed application configuration and BOM see the AX-SFAZ Application Note: Sigfox Compliant Reference Design.

# AX-SFAZ, AX-SFAZ-API

## QFN40 PACKAGE INFORMATION

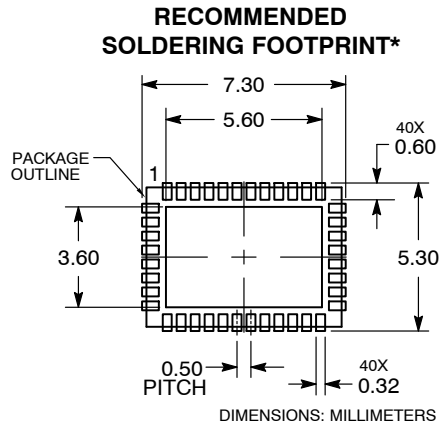
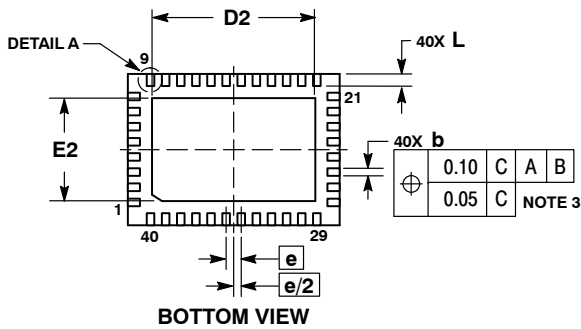
QFN40 7x5, 0.5P  
CASE 485EG  
ISSUE A



**NOTES:**

1. DIMENSIONING AND TOLERANCING PER ASME Y14.5M, 1994.
2. CONTROLLING DIMENSIONS: MILLIMETERS.
3. DIMENSION b APPLIES TO PLATED TERMINAL AND IS MEASURED BETWEEN 0.25 AND 0.30mm FROM TERMINAL COPLANARITY APPLIES TO THE EXPOSED PAD AS WELL AS THE TERMINALS.

| DIM | MILLIMETERS |      |
|-----|-------------|------|
|     | MIN         | MAX  |
| A   | 0.80        | 1.00 |
| A1  | 0.00        | 0.05 |
| A3  | 0.20 REF    |      |
| b   | 0.18        | 0.30 |
| D   | 7.00 BSC    |      |
| D2  | 5.30        | 5.50 |
| E   | 5.00 BSC    |      |
| E2  | 3.30        | 3.50 |
| e   | 0.50 BSC    |      |
| L   | 0.30        | 0.50 |
| L1  | ---         | 0.15 |



\*For additional information on our Pb-Free strategy and soldering details, please download the ON Semiconductor Soldering and Mounting Techniques Reference Manual, SOLDERRM/D.

# AX-SFAZ, AX-SFAZ-API

## QFN40 Soldering Profile

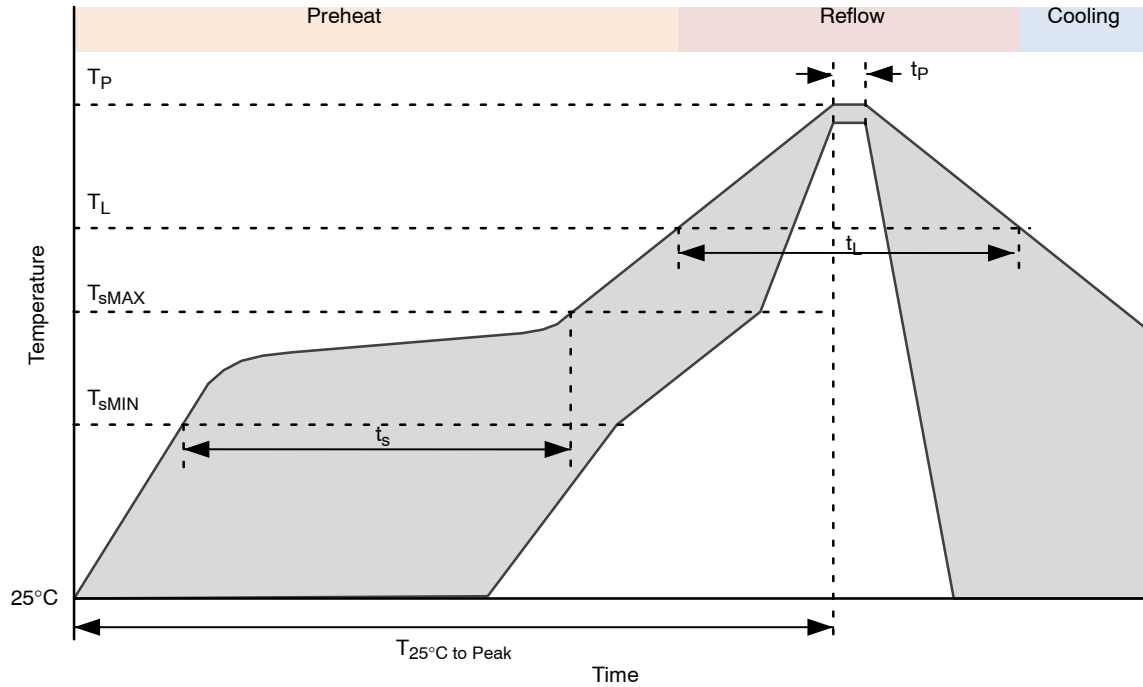


Figure 6. QFN40 Soldering Profile

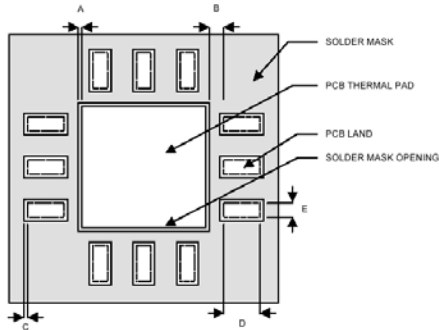
Table 12.

| Profile Feature                            | Pb-Free Process                          |
|--|--|
| Average Ramp-Up Rate                       | 3°C/s max.                               |
| Preheat Preheat                            |  |
| Temperature Min                            | $T_{sMIN}$<br>150°C                      |
| Temperature Max                            | $T_{sMAX}$<br>200°C                      |
| Time ( $T_{sMIN}$ to $T_{sMAX}$ )          | $t_s$<br>60 – 180 sec                    |
| Time 25°C to Peak Temperature              | $T_{25°C \text{ to Peak}}$<br>8 min max. |
| Reflow Phase                               |  |
| Liquidus Temperature                       | $T_L$<br>217°C                           |
| Time over Liquidus Temperature             | $t_L$<br>60 – 150 s                      |
| Peak Temperature                           | $t_p$<br>260°C                           |
| Time within 5°C of actual Peak Temperature | $T_p$<br>20 – 40 s                       |
| Cooling Phase                              |  |
| Ramp-down rate                             | 6°C/s max.                               |

1. All temperatures refer to the top side of the package, measured on the the package body surface.

## QFN40 Recommended Pad Layout

1. PCB land and solder masking recommendations are shown in Figure 7.



**Figure 7. PCB Land and Solder Mask Recommendations**

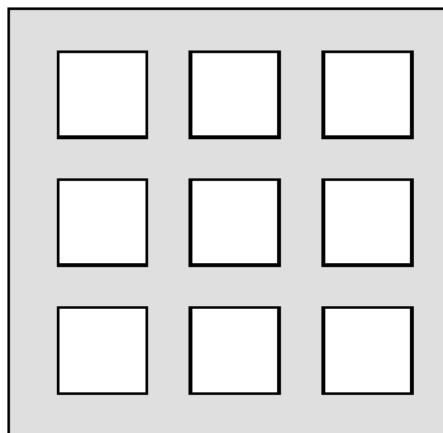
2. Thermal vias should be used on the PCB thermal pad (middle ground pad) to improve thermal conductivity from the device to a copper ground plane area on the reverse side of the printed circuit board. The number of vias depends on the package thermal requirements, as determined by thermal simulation or actual testing.
3. Increasing the number of vias through the printed circuit board will improve the thermal conductivity to the reverse side ground plane and external heat sink. In general, adding more metal through the PCB under the IC will improve operational heat transfer, but will require careful attention to uniform heating of the board during assembly.

### Assembly Process

#### Stencil Design & Solder Paste Application

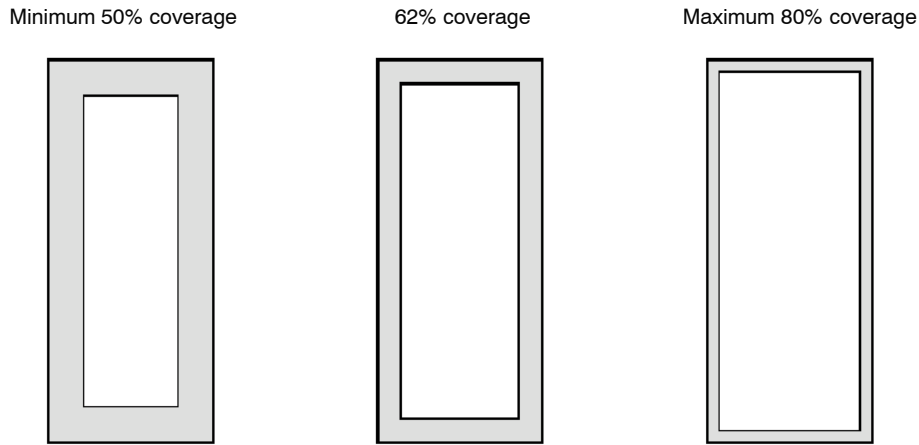
1. Stainless steel stencils are recommended for solder paste application.
2. A stencil thickness of 0.125 – 0.150 mm (5 – 6 mils) is recommended for screening.

3. For the PCB thermal pad, solder paste should be printed on the PCB by designing a stencil with an array of smaller openings that sum to 50% of the QFN exposed pad area. Solder paste should be applied through an array of squares (or circles) as shown in Figure 8.
4. The aperture opening for the signal pads should be between 50–80% of the QFN pad area as shown in Figure 9.
5. Optionally, for better solder paste release, the aperture walls should be trapezoidal and the corners rounded.
6. The fine pitch of the IC leads requires accurate alignment of the stencil and the printed circuit board. The stencil and printed circuit assembly should be aligned to within + 1 mil prior to application of the solder paste.
7. No-clean flux is recommended since flux from underneath the thermal pad will be difficult to clean if water-soluble flux is used.



**Figure 8. Solder Paste Application on Exposed Pad**

# AX-SFAZ, AX-SFAZ-API



**Figure 9. Solder Paste Application on Pins**

### Life Support Applications

This product is not designed for use in life support appliances, devices, or in systems where malfunction of this product can reasonably be expected to result in personal injury. ON Semiconductor customers using or selling this product for use in such applications do so at their own risk

and agree to fully indemnify ON Semiconductor for any damages resulting from such improper use or sale.

### Device Information

The following device information can be queried using the AT-Commands AT\$I=4, AT\$I=5 for the APP version and AT\$I=2, AT\$I=3 for the chip version.

**Table 13. DEVICE VERSIONS**

| Product     | Part Number                        | APP Version |      | Chip Version |      |
|-------------|------------------------------------|-------------|------|--------------|------|
|             |                                    | [0]         | [1]  | [0]          | [1]  |
| AX-SFAZ     | AX-SFAZ-1-01-XXXX <sup>1</sup>     | 0x01        | 0x01 | 0x8F         | 0x51 |
| AX-SFAZ-API | AX-SFAZ-API-1-01-XXXX <sup>1</sup> | 0x01        | 0x01 | 0x8F         | 0x51 |

1. TB05 for Reel 500, TX30 for Reel 3000 reel

Sigfox and Sigfox Ready are registered trademarks of Sigfox SARL.

ON Semiconductor and are trademarks of Semiconductor Components Industries, LLC dba ON Semiconductor or its subsidiaries in the United States and/or other countries. ON Semiconductor owns the rights to a number of patents, trademarks, copyrights, trade secrets, and other intellectual property. A listing of ON Semiconductor's product/patent coverage may be accessed at [www.onsemi.com/site/pdf/Patent-Marking.pdf](http://www.onsemi.com/site/pdf/Patent-Marking.pdf). ON Semiconductor reserves the right to make changes without further notice to any products herein. ON Semiconductor makes no warranty, representation or guarantee regarding the suitability of its products for any particular purpose, nor does ON Semiconductor assume any liability arising out of the application or use of any product or circuit, and specifically disclaims any and all liability, including without limitation special, consequential or incidental damages. Buyer is responsible for its products and applications using ON Semiconductor products, including compliance with all laws, regulations and safety requirements or standards, regardless of any support or applications information provided by ON Semiconductor. "Typical" parameters which may be provided in ON Semiconductor data sheets and/or specifications can and do vary in different applications and actual performance may vary over time. All operating parameters, including "Typicals" must be validated for each customer application by customer's technical experts. ON Semiconductor does not convey any license under its patent rights nor the rights of others. ON Semiconductor products are not designed, intended, or authorized for use as a critical component in life support systems or any FDA Class 3 medical devices or medical devices with a same or similar classification in a foreign jurisdiction or any devices intended for implantation in the human body. Should Buyer purchase or use ON Semiconductor products for any such unintended or unauthorized application, Buyer shall indemnify and hold ON Semiconductor and its officers, employees, subsidiaries, affiliates, and distributors harmless against all claims, costs, damages, and expenses, and reasonable attorney fees arising out of, directly or indirectly, any claim of personal injury or death associated with such unintended or unauthorized use, even if such claim alleges that ON Semiconductor was negligent regarding the design or manufacture of the part. ON Semiconductor is an Equal Opportunity/Affirmative Action Employer. This literature is subject to all applicable copyright laws and is not for resale in any manner.

### PUBLICATION ORDERING INFORMATION

**LITERATURE FULFILLMENT:**  
Literature Distribution Center for ON Semiconductor  
19521 E. 32nd Pkwy, Aurora, Colorado 80011 USA  
**Phone:** 303-675-2175 or 800-344-3860 Toll Free USA/Canada  
**Fax:** 303-675-2176 or 800-344-3867 Toll Free USA/Canada  
**Email:** [orderlit@onsemi.com](mailto:orderlit@onsemi.com)

**N. American Technical Support:** 800-282-9855 Toll Free USA/Canada  
**Europe, Middle East and Africa Technical Support:**  
Phone: 421 33 790 2910  
**Japan Customer Focus Center**  
Phone: 81-3-5817-1050

**ON Semiconductor Website:** [www.onsemi.com](http://www.onsemi.com)  
**Order Literature:** <http://www.onsemi.com/orderlit>  
For additional information, please contact your local Sales Representative

## X-ON Electronics

Largest Supplier of Electrical and Electronic Components

*Click to view similar products for* [RF System on a Chip - SoC category:](#)

*Click to view products by* [ON Semiconductor manufacturer:](#)

Other Similar products are found below :

[BCM20737A1KML2G](#) [BCM43236BKMLG](#) [EM06ELA-512-SGAS](#) [CYBL10463-56LQXI](#) [CYBL10562-56LQXI](#) [CYBL10563-68FLXIT](#)  
[ATBTLC1000A-UU-T](#) [EC25AUFA-MINIPCIE](#) [BCM43242KFFBG](#) [BCM20707UA1KFFB1G](#) [ATWILC1000B-UU-T](#) [BCM4322KFBGH](#)  
[ETRX3DVK357](#) [EC25VFA-MINIPCIE](#) [EC25JFA-MINIPCIE](#) [EC25MXGA-MINIPCIE](#) [EC25AFXGA-MINIPCIE](#) [EC25AUXGA-MINIPCIE](#)  
[EC25AUTFA-MINIPCIE](#) [EC25AFFA-MINIPCIE](#) [EP06ALA-512-SGAD](#) [EM06ALA-512-SGAD](#) [EM12GPA-512-SGAD](#) [EC25EUGA-](#)  
[MINIPCIE](#) [TLR8367EP16](#) [EC25AFA-MINIPCIE](#) [CYBL10463-56LQXIT](#) [CC2511F32RSPR](#) [AX-SFEU-API-1-01-TB05](#) [NRF51422-CFAC-](#)  
[R](#) [NRF51822-CDAB-R](#) [XR1015-QH-0G00](#) [NCH-RSL10-101Q48-ABG](#) [AX8052F143-3-TX30](#) [BLUENRG-232](#) [ESP32-D2WD](#)  
[AWR1642ABIGABLQ1](#) [ESP32-D0WD](#) [ESP8266EX](#) [CYBL10561-56LQXI](#) [ATWINC1500B-MU-Y](#) [DA14531-00000FX2](#) [ESP32-C3FH4](#)  
[ESP32-C3](#) [ESP32-D0WDQ6](#) [ESP32-D0WDQ6-V3](#) [ESP32-D0WD-V3](#) [ESP32-PICO-V3](#) [ESP32-PICO-V3-02](#) [ESP32-S2](#)