

# ON Semiconductor

## Is Now

# onsemi™

To learn more about onsemi™, please visit our website at  
[www.onsemi.com](http://www.onsemi.com)

---

**onsemi** and **onsemi** and other names, marks, and brands are registered and/or common law trademarks of Semiconductor Components Industries, LLC dba "**onsemi**" or its affiliates and/or subsidiaries in the United States and/or other countries. **onsemi** owns the rights to a number of patents, trademarks, copyrights, trade secrets, and other intellectual property. A listing of **onsemi** product/patent coverage may be accessed at [www.onsemi.com/site/pdf/Patent-Marking.pdf](http://www.onsemi.com/site/pdf/Patent-Marking.pdf). **onsemi** reserves the right to make changes at any time to any products or information herein, without notice. The information herein is provided "as-is" and **onsemi** makes no warranty, representation or guarantee regarding the accuracy of the information, product features, availability, functionality, or suitability of its products for any particular purpose, nor does **onsemi** assume any liability arising out of the application or use of any product or circuit, and specifically disclaims any and all liability, including without limitation special, consequential or incidental damages. Buyer is responsible for its products and applications using **onsemi** products, including compliance with all laws, regulations and safety requirements or standards, regardless of any support or applications information provided by **onsemi**. "Typical" parameters which may be provided in **onsemi** data sheets and/or specifications can and do vary in different applications and actual performance may vary over time. All operating parameters, including "Typicals" must be validated for each customer application by customer's technical experts. **onsemi** does not convey any license under any of its intellectual property rights nor the rights of others. **onsemi** products are not designed, intended, or authorized for use as a critical component in life support systems or any FDA Class 3 medical devices or medical devices with a same or similar classification in a foreign jurisdiction or any devices intended for implantation in the human body. Should Buyer purchase or use **onsemi** products for any such unintended or unauthorized application, Buyer shall indemnify and hold **onsemi** and its officers, employees, subsidiaries, affiliates, and distributors harmless against all claims, costs, damages, and expenses, and reasonable attorney fees arising out of, directly or indirectly, any claim of personal injury or death associated with such unintended or unauthorized use, even if such claim alleges that **onsemi** was negligent regarding the design or manufacture of the part. **onsemi** is an Equal Opportunity/Affirmative Action Employer. This literature is subject to all applicable copyright laws and is not for resale in any manner. Other names and brands may be claimed as the property of others.

# EFC4612R-S

## Power MOSFET for 1-2 Cells Lithium-ion Battery Protection 24 V, 45 mΩ, 6 A, Dual N-Channel



ON Semiconductor®

www.onsemi.com

This Power MOSFET features a low on-state resistance. This device is suitable for applications such as power switches of portable machines. Best suited for 1-2 cells lithium-ion battery applications.

### Features

- 2.5 V drive
- Common-Drain type
- ESD Diode-Protected Gate
- Pb-Free, Halogen Free and RoHS compliance

### Applications

- 1-2 Cells Lithium-ion Battery Charging and Discharging Switch

### SPECIFICATIONS

**ABSOLUTE MAXIMUM RATINGS** at Ta = 25°C (Note 1)

Parameter	Symbol	Value	Unit
Source to Source Voltage	V <sub>SSS</sub>	24	V
Gate to Source Voltage	V <sub>GSS</sub>	±12	V
Source Current (DC)	I <sub>S</sub>	6	A
Source Current (Pulse) PW ≤ 10 μs, duty cycle ≤ 1%	I <sub>SP</sub>	60	A
Total Dissipation (Note 2)	P <sub>T</sub>	1.6	W
Junction Temperature	T <sub>J</sub>	150	°C
Storage Temperature	T <sub>stg</sub>	-55 to +150	°C

Note 1 : Stresses exceeding those listed in the Maximum Ratings table may damage the device. If any of these limits are exceeded, device functionality should not be assumed, damage may occur and reliability may be affected.

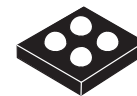
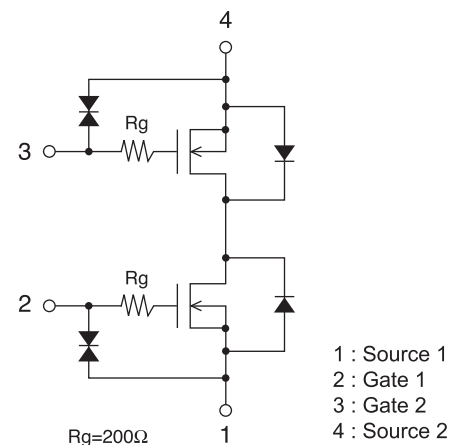
### THERMAL RESISTANCE RATINGS

Parameter	Symbol	Value	Unit
Junction to Ambient (Note 2)	R <sub>θJA</sub>	78.1	°C/W

Note 2 : Surface mounted on ceramic substrate(5000 mm<sup>2</sup> × 0.8 mm).

V <sub>SSS</sub>	R <sub>SS(on)</sub> Max	I <sub>S</sub> Max
24 V	45 mΩ @ 4.5 V	6 A
	48 mΩ @ 4.0 V	
	50 mΩ @ 3.7 V	
	57 mΩ @ 3.1 V	
	72 mΩ @ 2.5 V	

### ELECTRICAL CONNECTION N-Channel



WLCSP4, 1.3x1.3 / EFCP1313-4CC-037

### MARKING



### ORDERING INFORMATION

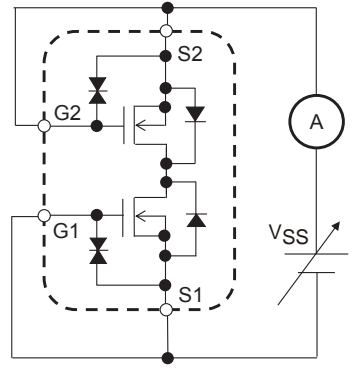
See detailed ordering and shipping information on page 7 of this data sheet.

**ELECTRICAL CHARACTERISTICS** at Ta = 25°C (Note 3)

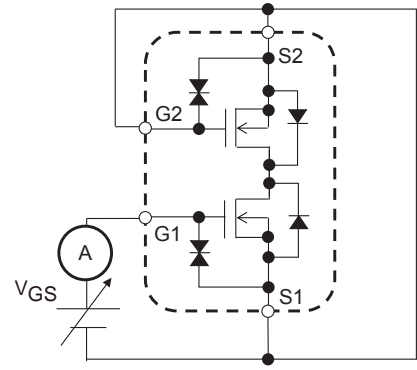
Parameter	Symbol	Conditions	Value			Unit
			min	typ	max	
Source to Source Breakdown Voltage	V(BR)SSS	IS = 1 mA, VGS = 0 V Test Circuit 1	24			V
Zero-Gate Voltage Source Current	ISSS	VSS = 20 V, VGS = 0 V Test Circuit 1			1	μA
Gate to Source Leakage Current	IGSS	VGS = ±8 V, VSS = 0 V Test Circuit 2			±10	μA
Gate Threshold Voltage	VGS(th)	VSS = 10 V, IS = 1 mA Test Circuit 3	0.5		1.3	V
Forward Transconductance	gFS	VSS = 10 V, IS = 3 A Test Circuit 4		3.1		S
Static Source to Source On-State Resistance	RSS(on)1	IS = 3 A, VGS = 4.5 V Test Circuit 5	24	39	45	mΩ
	RSS(on)2	IS = 3 A, VGS = 4.0 V Test Circuit 5	25	41	48	mΩ
	RSS(on)3	IS = 3 A, VGS = 3.7 V Test Circuit 5	27.5	43	50	mΩ
	RSS(on)4	IS = 3 A, VGS = 3.1 V Test Circuit 5	31.5	48	57	mΩ
	RSS(on)5	IS = 3 A, VGS = 2.5 V Test Circuit 5	33.5	58	72	mΩ
Turn-ON Delay Time	td(on)	VSS = 10 V, VGS = 4.5 V IS = 3 A Test Circuit 6		20		ns
Rise Time	tr			230		ns
Turn-OFF Delay Time	td(off)			130		ns
Fall Time	tf			210		ns
Total Gate Charge	Qg	VSS = 10 V, VGS = 4.5 V IS = 6 A Test Circuit 7		7		nC
Forward Source to Source Voltage	VF(S-S)	IS = 3 A, VGS = 0 V Test Circuit 8		0.8	1.2	V

Note 3 : Product parametric performance is indicated in the Electrical Characteristics for the listed test conditions, unless otherwise noted. Product performance may not be indicated by the Electrical Characteristics if operated under different conditions.

Test Circuit 1  
VSSS / ISSS

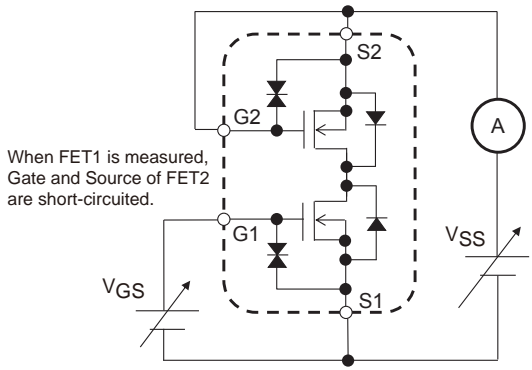


Test Circuit 2  
IGSS



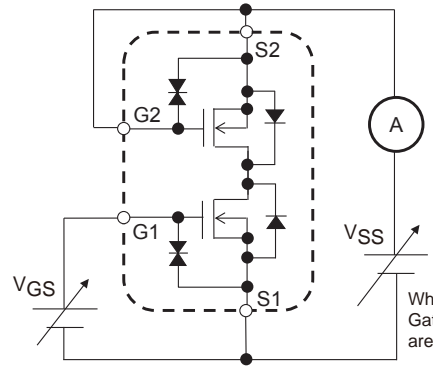
When FET1 is measured, Gate and Source of FET2 are short-circuited.

Test Circuit 3  
VGS(th)



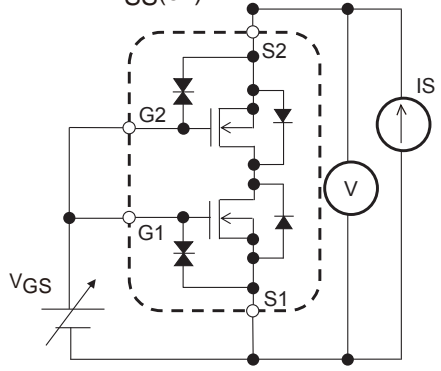
When FET1 is measured, Gate and Source of FET2 are short-circuited.

Test Circuit 4  
gFS

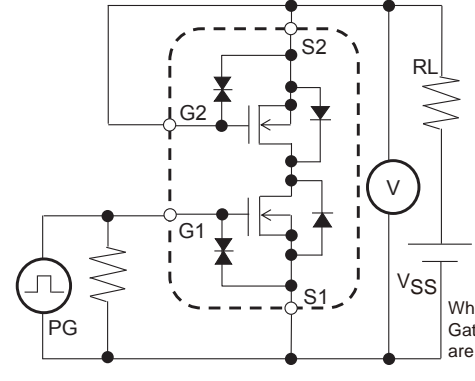


When FET1 is measured, Gate and Source of FET2 are short-circuited.

Test Circuit 5  
RSS(on)

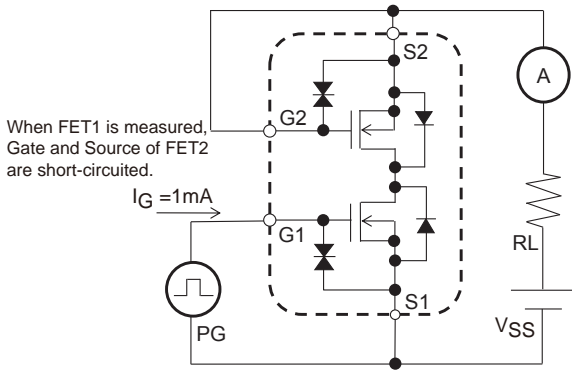


Test Circuit 6  
td(on), tr, td(off), tf



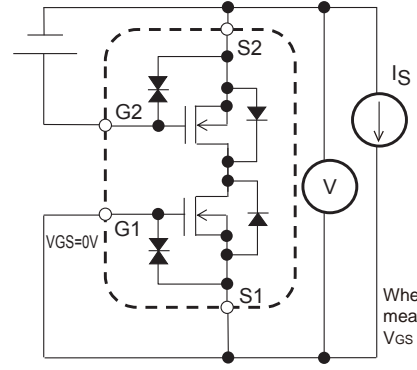
When FET1 is measured, Gate and Source of FET2 are short-circuited.

Test Circuit 7  
Qg



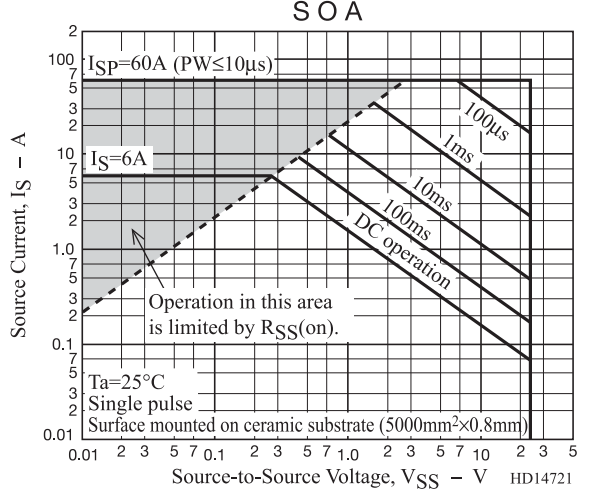
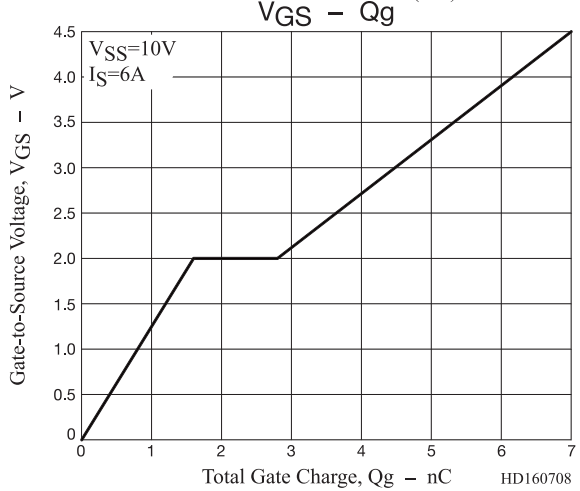
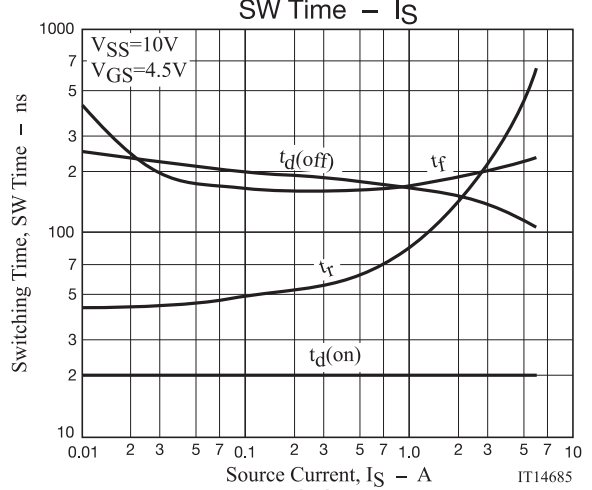
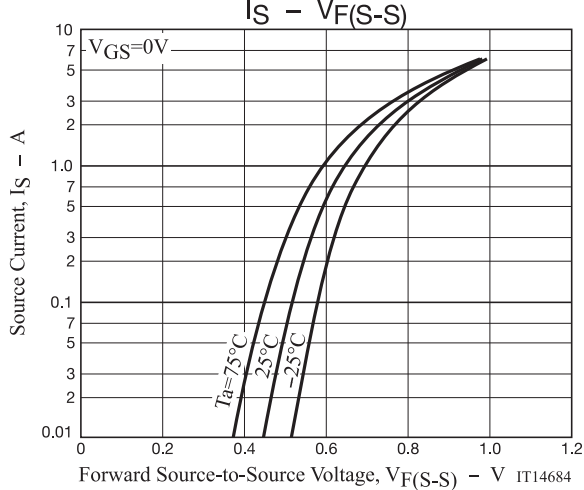
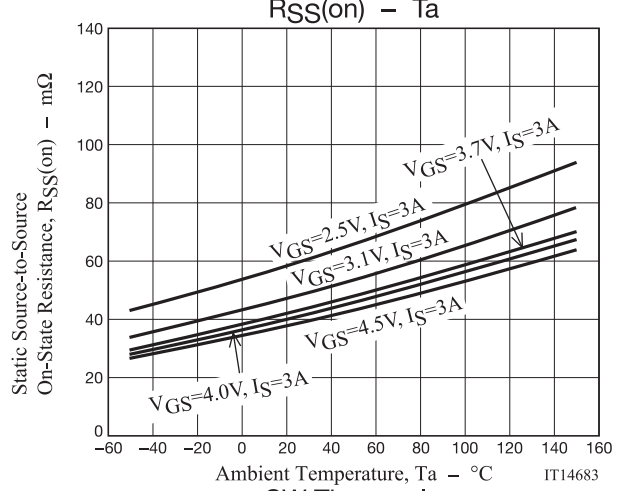
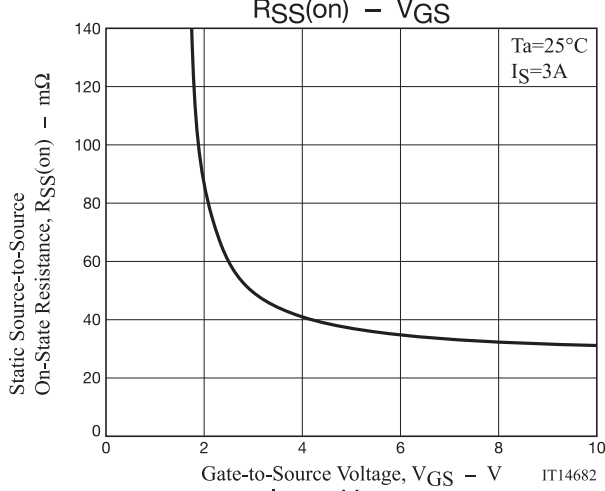
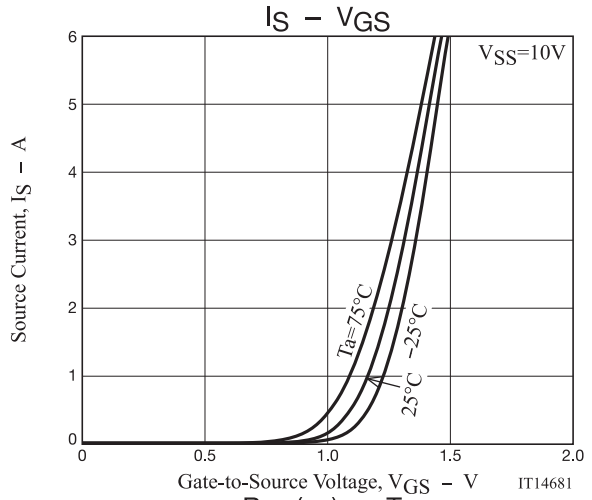
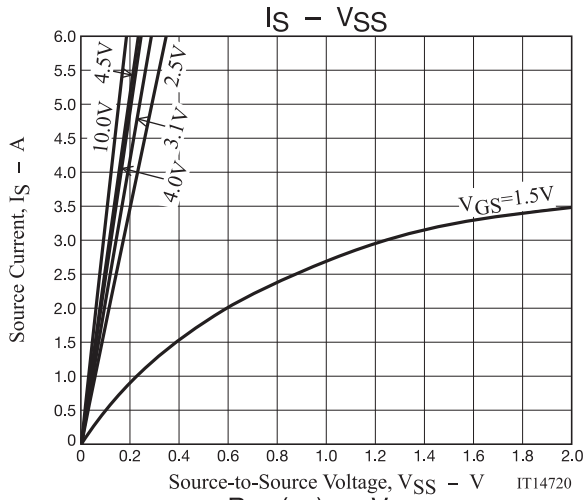
When FET1 is measured, Gate and Source of FET2 are short-circuited.

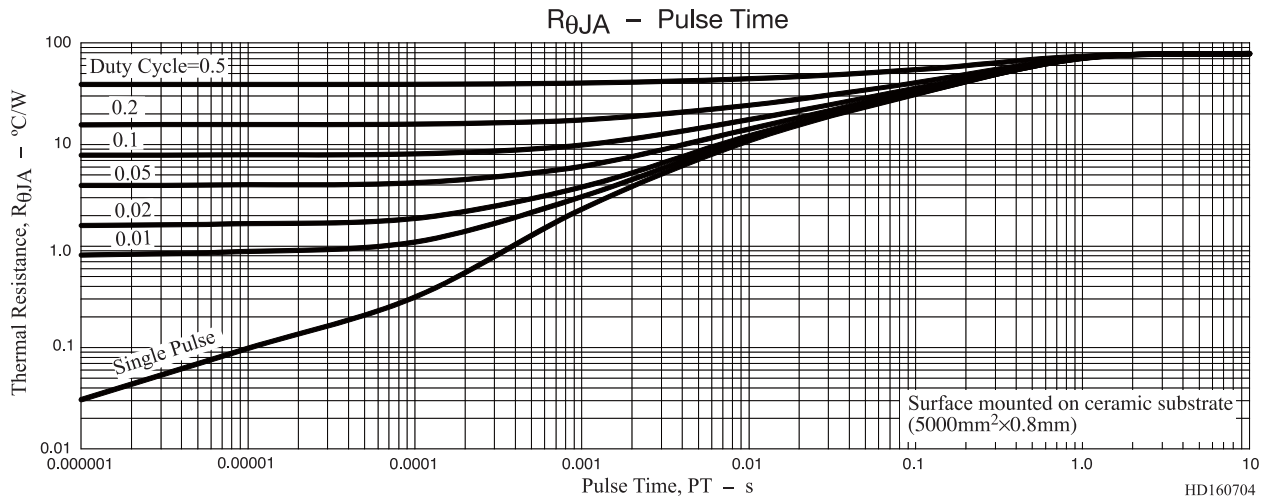
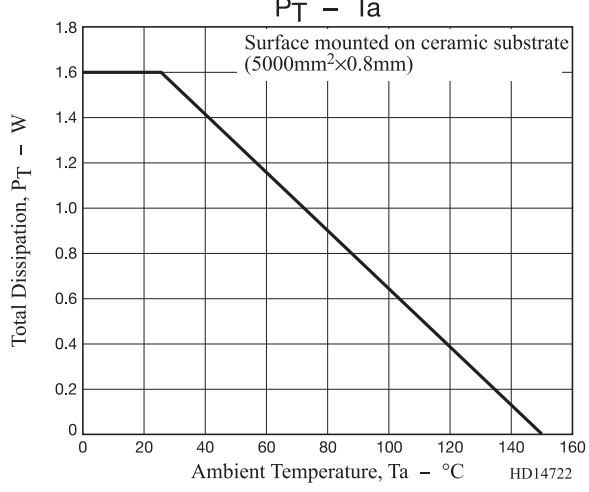
Test Circuit 8  
VF(S-S)



When FET1 is measured, +4.5V is added to VGS of FET2.

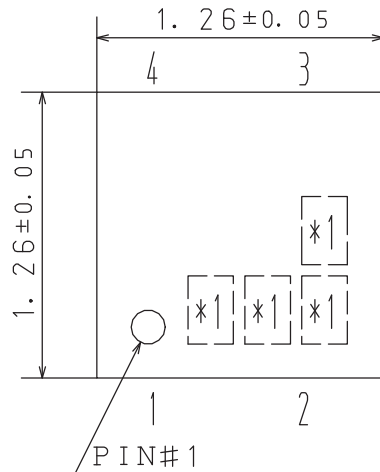
When FET2 is measured, the position of FET1 and FET2 is switched.



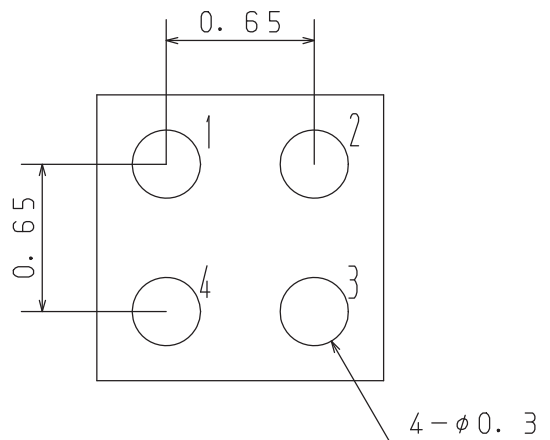
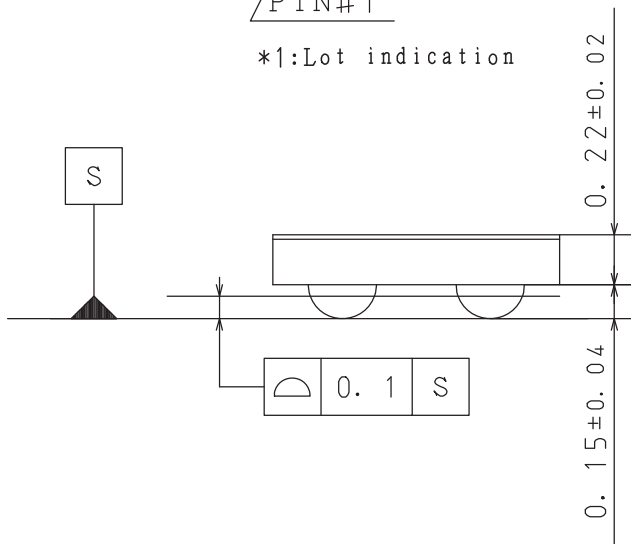


**WLCSP4, 1.3x1.3 / EFCP1313-4CC-037**  
CASE 567DP  
ISSUE 0

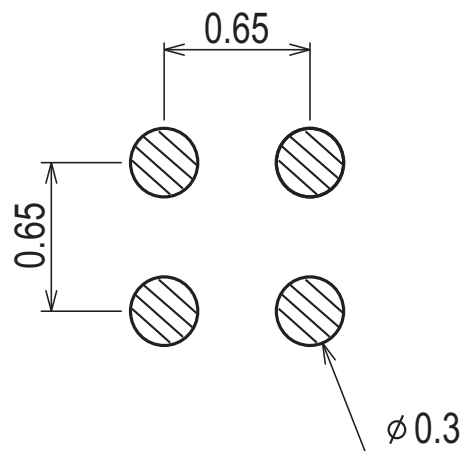
- 1 : Source1
- 2 : Gate1
- 3 : Gate2
- 4 : Source2



\*1:Lot indication



**RECOMMENDED  
SOLDERING FOOTPRINT**



**ORDERING INFORMATION**

Device	Marking	Package	Shipping (Qty / Packing)
EFC4612R-S-TR	FN	WLCSP4, 1.3 × 1.3 / EFCP1313-4CC-037 (Pb-Free / Halogen Free)	5,000 / Tape & Reel

† For information on tape and reel specifications, including part orientation and tape sizes, please refer to our Tape and Reel Packaging Specifications Brochure, BRD8011/D. [http://www.onsemi.com/pub\\_link/Collateral/BRD8011-D.PDF](http://www.onsemi.com/pub_link/Collateral/BRD8011-D.PDF)

Note on usage : Since the EFC4612R-S is a MOSFET product, please avoid using this device in the vicinity of highly charged objects. Please contact sales for use except the designated application.

ON Semiconductor and the ON Semiconductor logo are trademarks of Semiconductor Components Industries, LLC dba ON Semiconductor or its subsidiaries in the United States and/or other countries. ON Semiconductor owns the rights to a number of patents, trademarks, copyrights, trade secrets, and other intellectual property. A listing of ON Semiconductor's product/patent coverage may be accessed at [www.onsemi.com/site/pdf/Patent-Marking.pdf](http://www.onsemi.com/site/pdf/Patent-Marking.pdf). ON Semiconductor reserves the right to make changes without further notice to any products herein. ON Semiconductor makes no warranty, representation or guarantee regarding the suitability of its products for any particular purpose, nor does ON Semiconductor assume any liability arising out of the application or use of any product or circuit, and specifically disclaims any and all liability, including without limitation special, consequential or incidental damages. Buyer is responsible for its products and applications using ON Semiconductor products, including compliance with all laws, regulations and safety requirements or standards, regardless of any support or applications information provided by ON Semiconductor. "Typical" parameters which may be provided in ON Semiconductor data sheets and/or specifications can and do vary in different applications and actual performance may vary over time. All operating parameters, including "Typicals" must be validated for each customer application by customer's technical experts. ON Semiconductor does not convey any license under its patent rights nor the rights of others. ON Semiconductor products are not designed, intended, or authorized for use as a critical component in life support systems or any FDA Class 3 medical devices or medical devices with a same or similar classification in a foreign jurisdiction or any devices intended for implantation in the human body. Should Buyer purchase or use ON Semiconductor products for any such unintended or unauthorized application, Buyer shall indemnify and hold ON Semiconductor and its officers, employees, subsidiaries, affiliates, and distributors harmless against all claims, costs, damages, and expenses, and reasonable attorney fees arising out of, directly or indirectly, any claim of personal injury or death associated with such unintended or unauthorized use, even if such claim alleges that ON Semiconductor was negligent regarding the design or manufacture of the part. ON Semiconductor is an Equal Opportunity/Affirmative Action Employer. This literature is subject to all applicable copyright laws and is not for resale in any manner.



## X-ON Electronics

Largest Supplier of Electrical and Electronic Components

*Click to view similar products for [MOSFET](#) category:*

*Click to view products by [ON Semiconductor](#) manufacturer:*

Other Similar products are found below :

[614233C](#) [648584F](#) [IRFD120](#) [JANTX2N5237](#) [FCA20N60\\_F109](#) [FDZ595PZ](#) [2SK2545\(Q,T\)](#) [405094E](#) [423220D](#) [TPCC8103,L1Q\(CM](#)  
[MIC4420CM-TR](#) [VN1206L](#) [SBVS138LT1G](#) [614234A](#) [715780A](#) [NTNS3166NZT5G](#) [SSM6J414TU,LF\(T](#) [751625C](#) [BUK954R8-60E](#)  
[NTE6400](#) [SQJ402EP-T1-GE3](#) [2SK2614\(TE16L1,Q\)](#) [2N7002KW-FAI](#) [DMN1017UCP3-7](#) [EFC2J004NUZTDG](#) [ECH8691-TL-W](#)  
[FCAB21350L1](#) [P85W28HP2F-7071](#) [DMN1053UCP4-7](#) [NTE221](#) [NTE222](#) [NTE2384](#) [NTE2903](#) [NTE2941](#) [NTE2945](#) [NTE2946](#) [NTE2960](#)  
[NTE2967](#) [NTE2969](#) [NTE2976](#) [NTE455](#) [NTE6400A](#) [NTE2910](#) [NTE2916](#) [NTE2956](#) [NTE2911](#) [DMN2080UCB4-7](#) [TK10A80W,S4X\(S](#)  
[SSM6P69NU,LF](#) [DMP22D4UFO-7B](#)