



Is Now Part of



**ON Semiconductor®**

To learn more about ON Semiconductor, please visit our website at  
[www.onsemi.com](http://www.onsemi.com)

Please note: As part of the Fairchild Semiconductor integration, some of the Fairchild orderable part numbers will need to change in order to meet ON Semiconductor's system requirements. Since the ON Semiconductor product management systems do not have the ability to manage part nomenclature that utilizes an underscore (\_), the underscore (\_) in the Fairchild part numbers will be changed to a dash (-). This document may contain device numbers with an underscore (\_). Please check the ON Semiconductor website to verify the updated device numbers. The most current and up-to-date ordering information can be found at [www.onsemi.com](http://www.onsemi.com). Please email any questions regarding the system integration to [Fairchild\\_questions@onsemi.com](mailto:Fairchild_questions@onsemi.com).

ON Semiconductor and the ON Semiconductor logo are trademarks of Semiconductor Components Industries, LLC dba ON Semiconductor or its subsidiaries in the United States and/or other countries. ON Semiconductor owns the rights to a number of patents, trademarks, copyrights, trade secrets, and other intellectual property. A listing of ON Semiconductor's product/patent coverage may be accessed at [www.onsemi.com/site/pdf/Patent-Marking.pdf](http://www.onsemi.com/site/pdf/Patent-Marking.pdf). ON Semiconductor reserves the right to make changes without further notice to any products herein. ON Semiconductor makes no warranty, representation or guarantee regarding the suitability of its products for any particular purpose, nor does ON Semiconductor assume any liability arising out of the application or use of any product or circuit, and specifically disclaims any and all liability, including without limitation special, consequential or incidental damages. Buyer is responsible for its products and applications using ON Semiconductor products, including compliance with all laws, regulations and safety requirements or standards, regardless of any support or applications information provided by ON Semiconductor. "Typical" parameters which may be provided in ON Semiconductor data sheets and/or specifications can and do vary in different applications and actual performance may vary over time. All operating parameters, including "Typicals" must be validated for each customer application by customer's technical experts. ON Semiconductor does not convey any license under its patent rights nor the rights of others. ON Semiconductor products are not designed, intended, or authorized for use as a critical component in life support systems or any FDA Class 3 medical devices or medical devices with a same or similar classification in a foreign jurisdiction or any devices intended for implantation in the human body. Should Buyer purchase or use ON Semiconductor products for any such unintended or unauthorized application, Buyer shall indemnify and hold ON Semiconductor and its officers, employees, subsidiaries, affiliates, and distributors harmless against all claims, costs, damages, and expenses, and reasonable attorney fees arising out of, directly or indirectly, any claim of personal injury or death associated with such unintended or unauthorized use, even if such claim alleges that ON Semiconductor was negligent regarding the design or manufacture of the part. ON Semiconductor is an Equal Opportunity/Affirmative Action Employer. This literature is subject to all applicable copyright laws and is not for resale in any manner.

# FAN4800A/C, FAN4801/02/02L PFC/PWM Controller Combination

## Features

- Pin-to-Pin Compatible with ML4800 and FAN4800 and CM6800 and CM6800A
- PWM Configurable for Current-Mode or Feed-forward Voltage-Mode Operation
- Internally Synchronized Leading-Edge PFC and Trailing-Edge PWM in one IC
- Low Operating Current
- Innovative Switching-Charge Multiplier Divider
- Average-Current-Mode for Input-Current Shaping
- PFC Over-Voltage and Under-Voltage Protections
- PFC Feedback Open-Loop Protection
- Peak Current Limiting for PFC
- Cycle-by-Cycle Current Limiting for PWM
- Power-On Sequence Control and Soft-Start
- Brownout Protection
- Interleaved PFC/PWM Switching
- FAN4801/02/02L Improve Efficiency at Light Load
- $f_{RTCT}=4 \cdot f_{PFC}=4 \cdot f_{PWM}$  for FAN4800A and FAN4801
- $f_{RTCT}=4 \cdot f_{PFC}=2 \cdot f_{PWM}$  for FAN4800C and FAN4802/02L

## Applications

- Desktop PC Power Supply
- Internet Server Power Supply
- LCD TV, Monitor Power Supply
- UPS
- Battery Charger
- DC Motor Power Supply
- Monitor Power Supply
- Telecom System Power Supply
- Distributed Power

## Description

The highly integrated FAN4800A/C and FAN4801/02/2L are specially designed for power supplies that consist of boost PFC and PWM. They require very few external components to achieve versatile protections / compensation. They are available in 16-pin DIP and SOP packages.

The PWM can be used in either current or voltage mode. In voltage mode, feed-forward from the PFC output bus can reduce the secondary output ripple.

Compared with older productions, ML4800 and FAN4800, FAN4800A/C and FAN4801/02/02L have lower operation current that save power consumption in external devices. FAN4800A/C and FAN4801/1S/2/2L have accurate 49.9% maximum duty of PWM that makes the hold-up time longer. Brownout protection and PFC soft-start functions are not in ML4800 and FAN4800.

To evaluate FAN4800A/C, FAN4801/02/2L for replacing existing FAN4800 and ML4800 boards, five things must be completed before the fine-tuning procedure:

1. Change  $R_{AC}$  resistor from the old value to a higher resistor: between  $6M\Omega$  to  $8M\Omega$ .
2. Change RT/CT pin from the existing values to  $R_T=6.8K\Omega$  and  $C_T=1000pF$  to have  $f_{PFC}=64KHz$ ,  $f_{PWM}=64KHz$ .
3.  $V_{RMS}$  pin needs to be 1.224V at  $V_{IN}=85 V_{AC}$  for universal input application from line input from  $85V_{AC}$  to  $270 V_{AC}$ . Both poles for the  $V_{rms}$  of FAN4801/02/02L don't need to substantially slower than FAN4800; about 5 to 10 times.
4. At full load, the average  $V_{EA}$  needs to  $\sim 4.5V$  and the ripple on the  $V_{EA}$  needs to be less than 400mV.
5. Soft-Start pin, the soft-start current has been reduced to half from the FAN4800 capacitor.

## Related Resources

- [AN-8027 - FAN480X PFC+PWM Combination Controller Application](#)

## Ordering Information

Part Number	Operating Temperature Range	Package	Packing Method
FAN4800ANY	-40°C to +105°C	16-Pin Dual In-Line Package (DIP)	Tube
FAN4800CNY	-40°C to +105°C	16-Pin Dual In-Line Package (DIP)	Tube
FAN4800AMY	-40°C to +105°C	16-Pin Small Outline Package (SOP)	Tape & Reel
FAN4800CMY	-40°C to +105°C	16-Pin Small Outline Package (SOP)	Tape & Reel
FAN4801NY	-40°C to +105°C	16-Pin Dual In-Line Package (DIP)	Tube
FAN4802NY	-40°C to +105°C	16-Pin Dual In-Line Package (DIP))	Tube
FAN4802LNY	-40°C to +105°C	16-Pin Dual In-Line Package (DIP))	Tube
FAN4801MY	-40°C to +105°C	16-Pin Small Outline Package (SOP)	Tape & Reel
FAN4802MY	-40°C to +105°C	16-Pin Small Outline Package (SOP)	Tape & Reel
FAN4802LMY	-40°C to +105°C	16-Pin Small Outline Package (SOP)	Tape & Reel

Part Number	PFC:PWM Frequency Ratio	Brownout / In	Range In / Out
FAN4800ANY	1:1	1.05V / 1.9V	N.A
FAN4800AMY	1:1	1.05V / 1.9V	N.A
FAN4800CNY	1:2	1.05V / 1.9V	N.A
FAN4800CMY	1:2	1.05V / 1.9V	N.A
FAN4801NY	1:1	1.05V / 1.9V	1.95V / 2.45V
FAN4802NY	1:2	1.05V / 1.9V	1.95V / 2.45V
FAN4802LNY	1:2	0.9V / 1.65V	1.95V / 2.45V
FAN4801MY	1:1	1.05V / 1.9V	1.95V / 2.45V
FAN4802MY	1:2	1.05V / 1.9V	1.95V / 2.45V
FAN4802LMY	1:2	0.9V / 1.65V	1.95V / 2.45V

Application Diagram

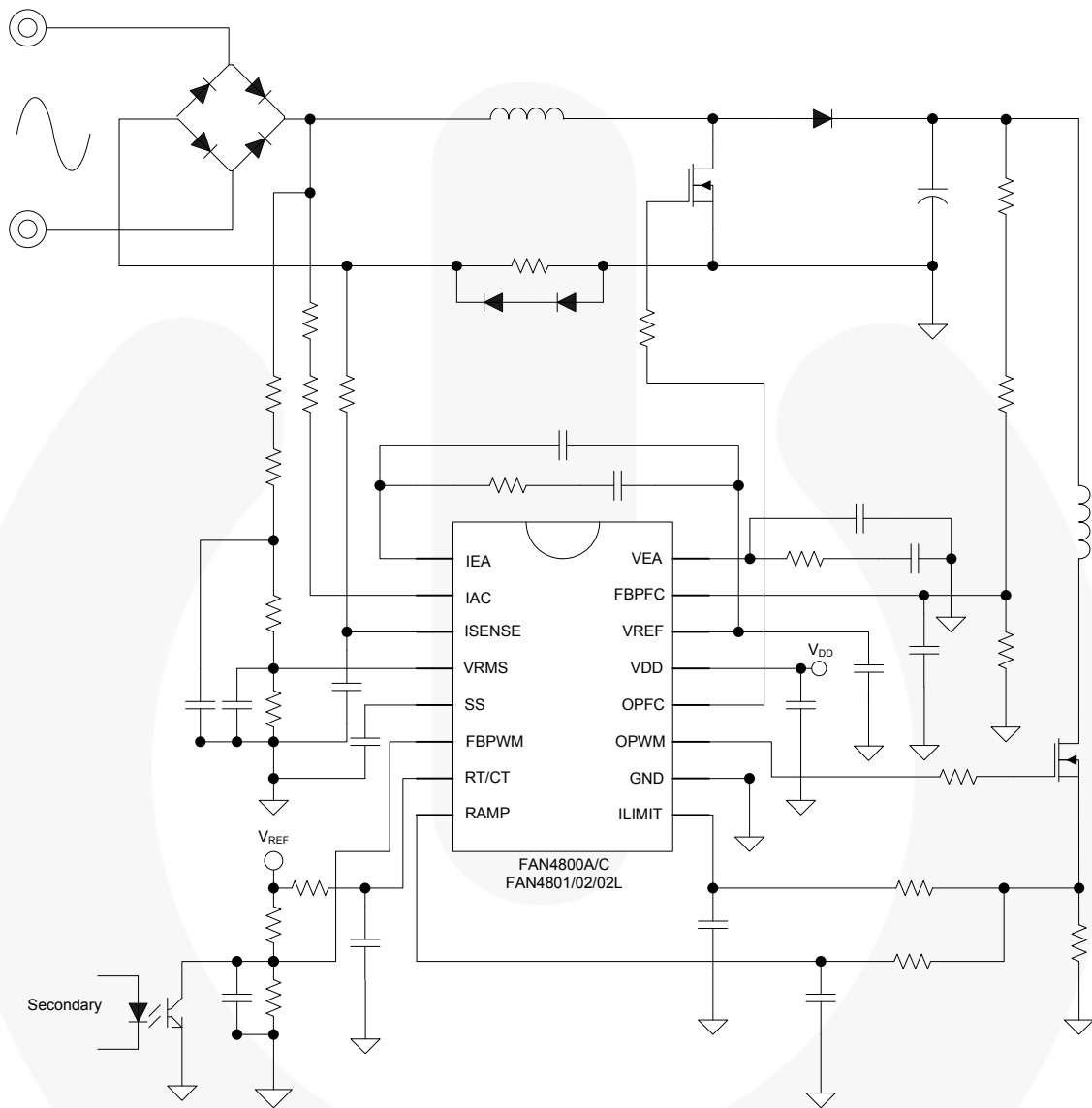


Figure 1. Typical Application Current Mode



Application Diagram

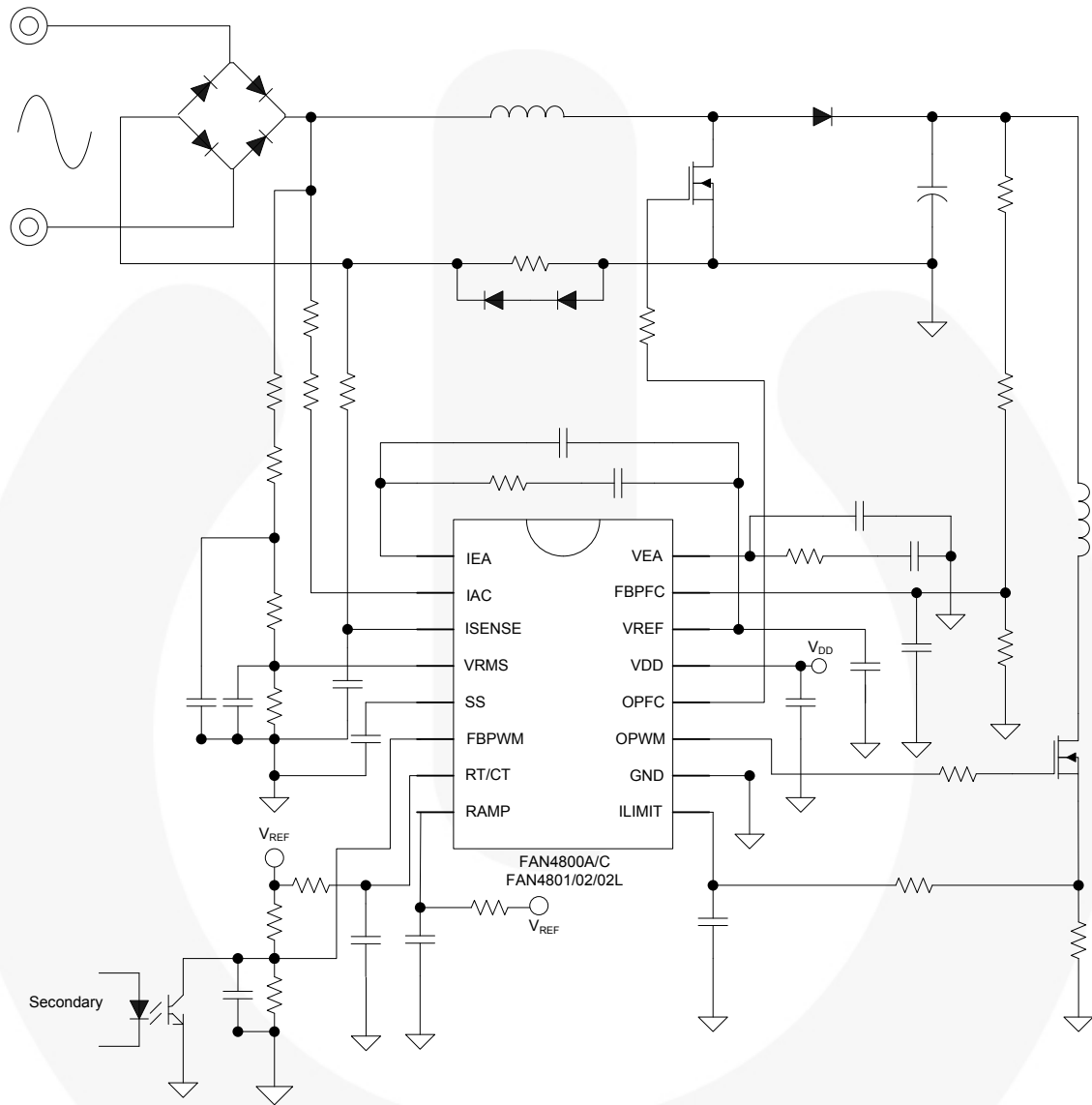


Figure 2. Typical Application Voltage Mode

### Block Diagram

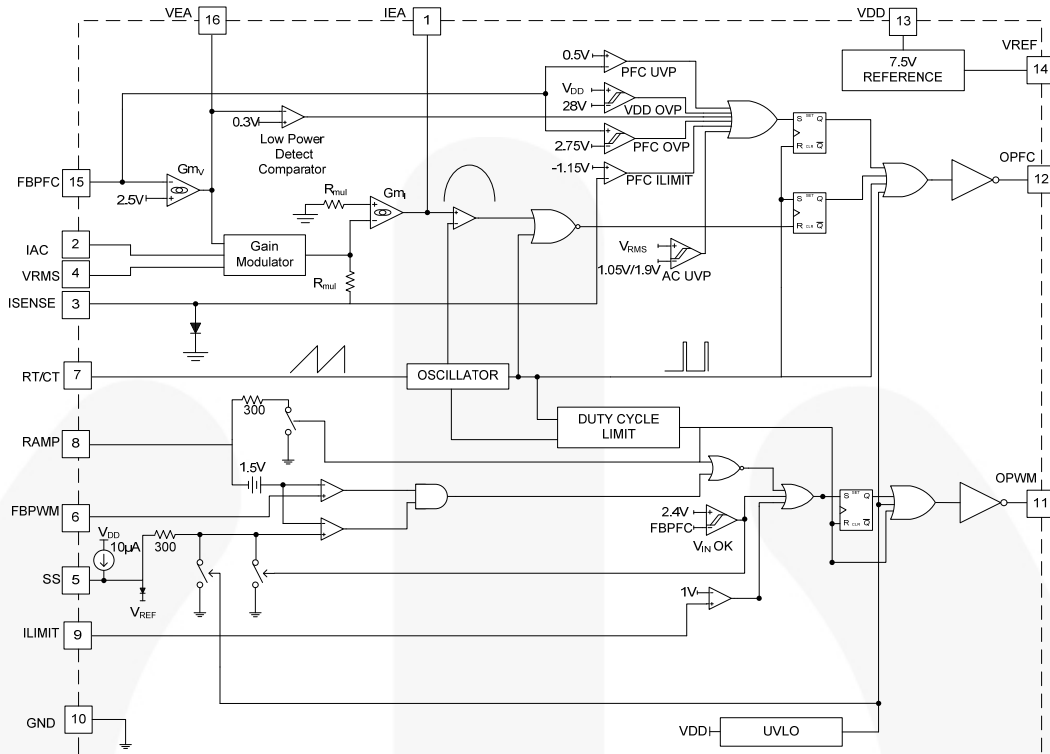


Figure 3. FAN4800A/C Function Block Diagram

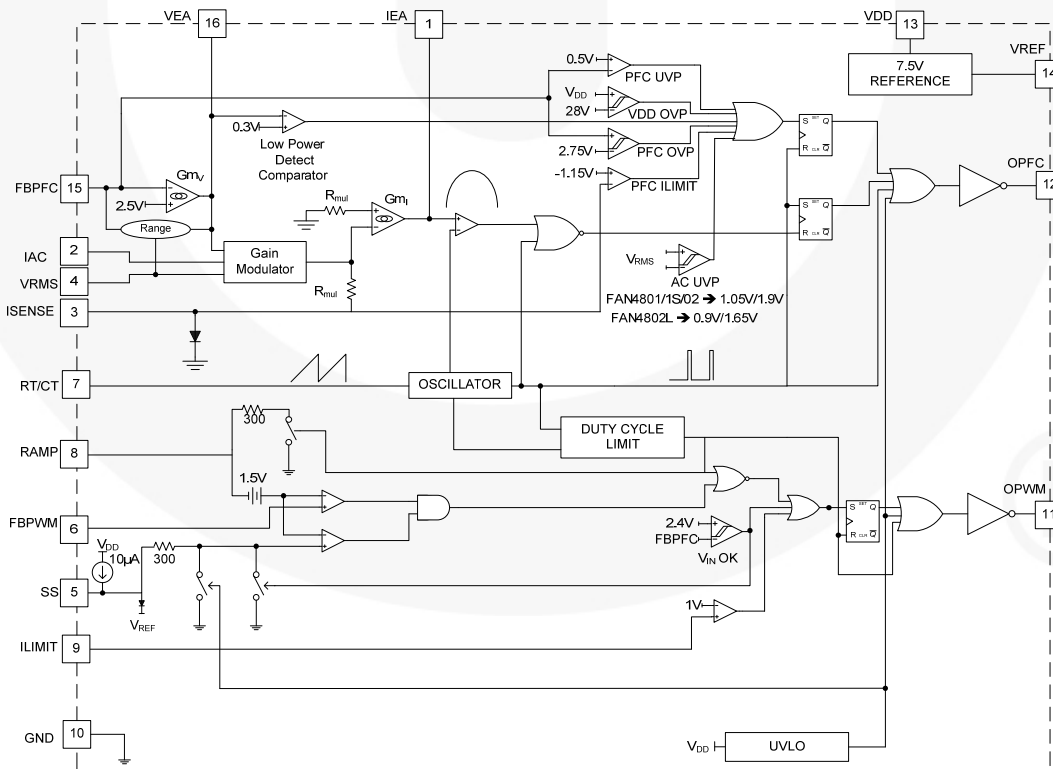


Figure 4. FAN4801/02/02L Function Block Diagram

### Marking Information

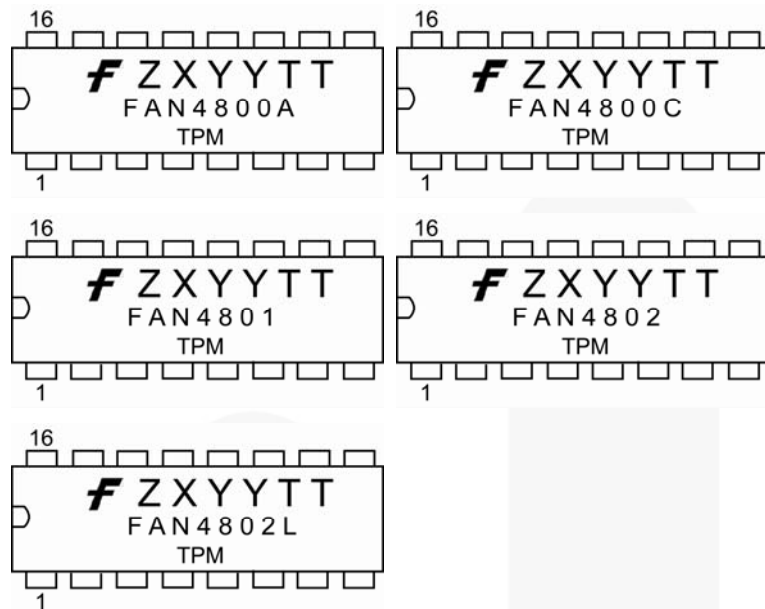


Figure 5. DIP Top Mark

- F** – Fairchild Logo
- Z** – Plant Code
- X** – 1-Digit Year Code
- Y** – 2-Digit Week Code
- TT** – 2-Digit Die-Run Code
- T** – Package Type (M:SOP)
- P** – Y: Green Package
- M** – Manufacture Flow Code

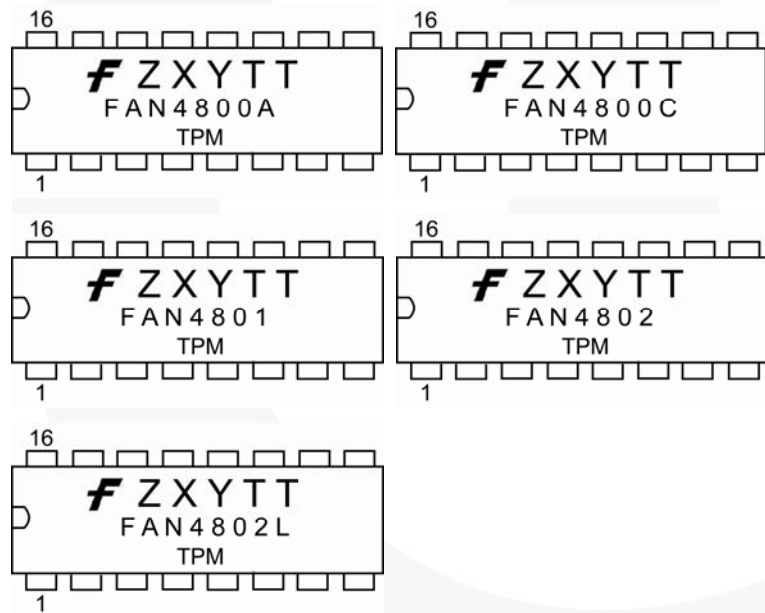


Figure 6. SOP Top Mark

- F** – Fairchild Logo
- Z** – Plant Code
- X** – 1-Digit Year Code
- Y** – 1-Digit Week Code
- TT** – 2-Digit Die-Run Code
- T** – Package Type (M:SOP)
- P** – Y: Green Package
- M** – Manufacture Flow Code

## Pin Configuration

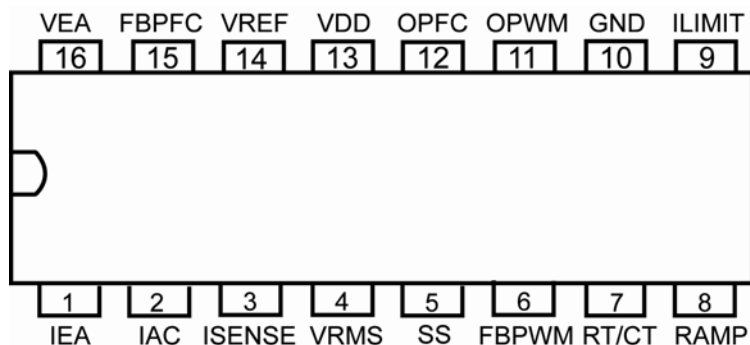


Figure 7. Pin Configuration (Top View)

## Pin Definitions

Pin #	Name	Description
1	IEA	<b>Output of PFC Current Amplifier.</b> The signal from this pin is compared with an internal sawtooth to determine the pulse width for PFC gate drive.
2	IAC	<b>Input AC Current.</b> For normal operation, this input provides current reference for the multiplier. The suggested maximum IAC is 100 $\mu$ A.
3	ISENSE	<b>PFC Current Sense.</b> The non-inverting input of the PFC current amplifier and the output of multiplier and PFC ILIMIT comparator.
4	VRMS	<b>Line-Voltage Detection.</b> Line voltage detection. The pin is used for PFC multiplier.
5	SS	<b>PWM Soft-Start.</b> During startup, the SS pin charges an external capacitor with a 10 $\mu$ A constant current source. The voltage on FBPWM is clamped by SS during startup. In the event of a protection condition occurring and/or PWM disabled, the SS pin is quickly discharged.
6	FBPWM	<b>PWM Feedback Input.</b> The control input for voltage-loop feedback of PWM stage.
7	RT/CT	<b>Oscillator RC Timing Connection.</b> Oscillator timing node; timing set by R <sub>T</sub> and C <sub>T</sub> .
8	RAMP	<b>PWM RAMP Input.</b> In current mode, this pin functions as the current sense input; when in voltage mode, it is the feed forward sense input from PFC output 380V (feedforward ramp).
9	ILIMIT	<b>Peak Current Limit Setting for PWM.</b> The peak current limits setting for PWM.
10	GND	<b>Ground.</b>
11	OPWM	<b>PWM Gate Drive.</b> The totem-pole output drive for PWM MOSFET. This pin is internally clamped under 15V to protect the MOSFET.
12	OPFC	<b>PFC Gate Drive.</b> The totem pole output drive for PWM MOSFET. This pin is internally clamped under 15V to protect the MOSFET.
13	VDD	<b>Supply.</b> The power supply pin. The threshold voltages for startup and turn-off are 11V and 9.3V, respectively. The operating current is lower than 10mA.
14	VREF	<b>Reference Voltage.</b> Buffered output for the internal 7.5V reference.
15	FBPFC	<b>Voltage Feedback Input for PFC.</b> The feedback input for PFC voltage loop. The inverting input of PFC error amplifier. This pin is connected to the PFC output through a divider network.
16	VEA	<b>Output of PFC Voltage Amplifier.</b> The error amplifier output for PFC voltage feedback loop. A compensation network is connected between this pin and ground.



## Absolute Maximum Ratings

Stresses exceeding the absolute maximum ratings may damage the device. The device may not function or be operable above the recommended operating conditions and stressing the parts to these levels is not recommended. In addition, extended exposure to stresses above the recommended operating conditions may affect device reliability. The absolute maximum ratings are stress ratings only.

Symbol	Parameter	Min.	Max.	Unit
V <sub>DD</sub>	DC Supply Voltage		30	V
V <sub>H</sub>	SS, FBPWM, RAMP, OPWM, OPFC	-0.3	30.0	V
V <sub>L</sub>	IAC, VRMS, RT/CT, ILIMIT, FBPF, VEA	-0.3	7.0	V
V <sub>VREF</sub>	VREF		7.5	V
V <sub>IEA</sub>	IEA	0	V <sub>VREF</sub> +0.3	V
V <sub>N</sub>	ISENSE	-5.0	0.7	V
I <sub>AC</sub>	Input AC Current		1	mA
I <sub>REF</sub>	VREF Output Current		5	mA
I <sub>PFC-OUT</sub>	Peak PFC OUT Current, Source or Sink		0.5	A
I <sub>PWM-OUT</sub>	Peak PWM OUT Current, Source or Sink		0.5	A
P <sub>D</sub>	Power Dissipation T <sub>A</sub> < 50°C		800	mW
Θ <sub>JA</sub>	Thermal Resistance (Junction-to-Air)	DIP	80.80	°C/W
		SOP	104.10	°C/W
T <sub>J</sub>	Operating Junction Temperature	-40	+125	°C
T <sub>STG</sub>	Storage Temperature Range	-55	+150	°C
T <sub>L</sub>	Lead Temperature (Soldering)		+260	°C
ESD	Electrostatic Discharge Capability	Human Body Model, JESD22-A114	4.5	kV
		Charged Device Model, JESD22-C101	1000	V

### Notes:

- All voltage values, except differential voltage, are given with respect to GND pin.
- Stresses beyond those listed under Absolute Maximum Ratings may cause permanent damage to the device.

## Recommended Operating Conditions

The Recommended Operating Conditions table defines the conditions for actual device operation. Recommended operating conditions are specified to ensure optimal performance to the datasheet specifications. Fairchild does not recommend exceeding them or designing to Absolute Maximum Ratings.

Symbol	Parameter	Min.	Max.	Unit
T <sub>A</sub>	Operating Ambient Temperature	-40	+105	°C

## Electrical Characteristics

$V_{DD}=15V$ ,  $T_A=25^{\circ}C$ ,  $R_T=6.8k\Omega$ ,  $C_T=1000pF$  unless noted operating specifications.

Symbol	Parameter	Conditions	Min.	Typ.	Max.	Units
<b>V<sub>DD</sub> Section</b>						
$I_{DD-ST}$	Startup Current	$V_{DD}=V_{TH-ON}-0.1V$ ; OPFC OPWM Open		30	80	$\mu A$
$I_{DD-OP}$	Operating Current	$V_{DD}=13V$ ; OPFC OPWM Open	2.0	2.6	5.0	mA
$V_{TH-ON}$	Turn-On Threshold Voltage		10	11	12	V
$\Delta V_{TH}$	Hysteresis		1.5		1.9	V
$V_{DD-OVP}$	$V_{DD}$ OVP		27	28	29	V
$\Delta V_{DD-OVP}$	$V_{DD}$ OVP Hysteresis			1		V
<b>Oscillator</b>						
$f_{OSC-RT/CT}$	RT/CT Frequency	$R_T=6.8k\Omega$ , $C_T=1000pF$	240	256	268	kHz
$f_{OSC}$	PFC & PWM Frequency	$R_T=6.8k\Omega$ , $C_T=1000pF$	60	64	67	kHz
	FAN4800C, FAN4802/02L PWM Frequency		120	128	134	
$f_{DV}$	Voltage Stability	$11V \leq V_{DD} \leq 22V$			2	%
$f_{DT}$	Temperature Stability	$-40^{\circ}C \sim +105^{\circ}C$			2	%
$f_{TV}$	Total Variation (PFC and PWM) <sup>(3)</sup>	Line, Temperature	58		70	kHz
$f_{RV}$	Ramp Voltage <sup>(3)</sup>	Valley to Peak		2.8		V
$I_{Discharge}$	Discharge Current	$V_{RAMP}=0V$ , $V_{RT/CT}=2.5V$	6.5		15	mA
$f_{RANGE}$	Frequency Range <sup>(3)</sup>		50		75	kHz
$t_{PFC-D}$	PFC Dead Time	$R_T=6.8k\Omega$ , $C_T=1000pF$	400	600	800	ns
<b>VREF</b>						
$V_{VREF}$	Reference Voltage	$I_{REF}=0mA$ , $C_{REF}=0.1\mu F$	7.4	7.5	7.6	V
$\Delta V_{VREF1}$	Load Regulation of Reference Voltage	$C_{REF}=0.1\mu F$ , $I_{REF}=0mA$ to 3.5mA $V_{VDD}=14V$ , Rise/Fall Time > 20 $\mu s$		30	50	mV
$\Delta V_{VREF2}$	Line Regulation of Reference Voltage	$C_{REF}=0.1\mu F$ , $V_{VDD}=11V$ to 22V			25	mV
$\Delta V_{VREF-DT}$	Temperature Stability <sup>(3)</sup>	$-40^{\circ}C \sim +105^{\circ}C$		0.4	0.5	%
$\Delta V_{VREF-TV}$	Total Variation <sup>(3)</sup>	Line, Load, Temperature	7.35		7.65	V
$\Delta V_{VREF-LS}$	Long-Term Stability <sup>(3)</sup>	$T_J=125^{\circ}C$ , 0 ~ 1000HRs	5		25	mV
$I_{REF-MAX}$	Maximum Current	$V_{VREF} > 7.35V$	5			mA
$I_{OS}$	Output Short Circuit <sup>(3)</sup>			25		mA
<b>PFC OVP Comparator</b>						
$V_{PFC-OVP}$	Over-Voltage Protection		2.70	2.75	2.80	V
$\Delta V_{PFC-OVP}$	PFC OVP Hysteresis		200	250	300	mV
<b>Low-Power Detect Comparator</b>						
$V_{EA-OFF}$	$V_{EA}$ Voltage OFF OPFC		0.2	0.3	0.4	V
<b>V<sub>IN</sub> OK Comparator</b>						
$V_{RD-FBPFC}$	Voltage Level on FBPFC to Enable OPWM During Startup		2.3	2.4	2.5	V
$\Delta V_{RD-FBPFC}$	Hysteresis		1.15	1.25	1.35	V

**Electrical Characteristics** (Continued)V<sub>DD</sub>=15V, T<sub>A</sub>=25°C, R<sub>T</sub>=6.8kΩ, C<sub>T</sub>=1000pF unless noted operating specifications.

Symbol	Parameter	Conditions	Min.	Typ.	Max.	Units
<b>Voltage Error Amplifier</b>						
FBPFC	Input Voltage Range <sup>(3)</sup>		0		6	V
V <sub>ref</sub>	Reference Voltage	at T=25°C	2.45	2.50	2.55	V
A <sub>v</sub>	Open-Loop Gain <sup>(3)</sup>		35	42		dB
G <sub>m<sub>v</sub></sub>	Transconductance	V <sub>NONINV</sub> =V <sub>INV</sub> , V <sub>VEA</sub> =3.75V at T=25°C	50	70	90	μmho
I <sub>FBPFC-L</sub>	Maximum Source Current	V <sub>FBPFC</sub> =2V, V <sub>VEA</sub> =1.5V	40	50		μA
I <sub>FBPFC-H</sub>	Maximum Sink Current	V <sub>FBPFC</sub> =3V, V <sub>VEA</sub> =6V		-50	-40	μA
I <sub>BS</sub>	Input Bias Current		-1		1	μA
V <sub>VEA-H</sub>	Output High Voltage on V <sub>VEA</sub>		5.8	6		V
V <sub>VEA-L</sub>	Output Low Voltage on V <sub>VEA</sub>			0.1	0.4	V
<b>Current Error Amplifier</b>						
V <sub>ISENSE</sub>	Input Voltage Range (ISENSE Pin) <sup>(3)</sup>		-1.5		0.7	V
G <sub>m<sub>I</sub></sub>	Transconductance	V <sub>NONINV</sub> =V <sub>INV</sub> , V <sub>IEA</sub> =3.75V	78	88	100	μmho
V <sub>OFFSET</sub>	Input Offset Voltage	V <sub>VEA</sub> =0V, I <sub>AC</sub> Open	-10		10	mV
V <sub>IEA-H</sub>	Output High Voltage		6.8	7.4	8.0	V
V <sub>IEA-L</sub>	Output Low Voltage			0.1	0.4	V
I <sub>L</sub>	Source Current	V <sub>ISENSE</sub> =-0.6V, V <sub>IEA</sub> =1.5V	35	50		μA
I <sub>H</sub>	Sink Current	V <sub>ISENSE</sub> =+0.6V, V <sub>IEA</sub> =4.0V		-50	-35	μA
A <sub>I</sub>	Open-Loop Gain <sup>(3)</sup>		40	50		dB
<b>Tri-Fault Detect</b>						
t <sub>FBPFC_OPEN</sub>	Time to FBPFC Open <sup>(3)</sup>	V <sub>FBPFC</sub> =V <sub>PFC-UVP</sub> to FBPFC OPEN, 470pF from FBPFC to GND		2	4	ms
V <sub>PFC-UVP</sub>	PFC Feedback Under-Voltage Protection		0.4	0.5	0.6	V
<b>Gain Modulator</b>						
I <sub>AC</sub>	Input for AC Current <sup>(3)</sup>	Multiplier Linear Range	0		100	μA
GAIN	GAIN Modulator <sup>(4)</sup>	I <sub>AC</sub> =17.67μA, V <sub>RMS</sub> =1.080V V <sub>FBPFC</sub> =2.25V, at T=25°C	7.50	9.00	10.50	
		I <sub>AC</sub> =20μA, V <sub>RMS</sub> =1.224V V <sub>FBPFC</sub> =2.25V, at T=25°C	6.30	7.00	7.70	
		I <sub>AC</sub> =25.69μA, V <sub>RMS</sub> =1.585V V <sub>FBPFC</sub> =2.25V, at T=25°C	3.80	4.20	4.60	
		I <sub>AC</sub> =51.62μA, V <sub>RMS</sub> =3.169V V <sub>FBPFC</sub> =2.25V, at T=25°C	0.95	1.05	1.16	
		I <sub>AC</sub> =62.23μA, V <sub>RMS</sub> =3.803V V <sub>FBPFC</sub> =2.25V, at T=25°C	0.66	0.73	0.80	
BW	Bandwidth <sup>(3)</sup>	I <sub>AC</sub> =40μA		2		kHz
V <sub>o(gm)</sub>	Output Voltage=5.7kΩ × (I <sub>SENSE</sub> -I <sub>OFFSET</sub> ) <sup>(3)</sup>	I <sub>AC</sub> =20μA, V <sub>RMS</sub> =1.224V V <sub>FBPFC</sub> =2.25V, at T=25°C	0.74	0.82	0.90	V

**Electrical Characteristics** (Continued)V<sub>DD</sub>=15V, T<sub>A</sub>=25°C, R<sub>T</sub>=6.8kΩ, C<sub>T</sub>=1000pF unless noted operating specifications.

Symbol	Parameter	Conditions	Min.	Typ.	Max.	Units
<b>PFC I<sub>LIMIT</sub> Comparator</b>						
V <sub>PFC-ILIMIT</sub>	Peak Current Limit Threshold Voltage, Cycle-by-Cycle Limit		-1.25	-1.15	-1.05	V
ΔV <sub>pk</sub>	PFC I <sub>LIMIT</sub> -Gain Modulator Output	I <sub>AC</sub> =17.67μA, V <sub>RMS</sub> =1.08V V <sub>FBPFC</sub> =2.25V, at T=25°C	200			mV
<b>PFC Output Driver</b>						
V <sub>GATE-CLAMP</sub>	Gate Output Clamping Voltage	V <sub>DD</sub> =22V	13	15	17	V
V <sub>GATE-L</sub>	Gate Low Voltage	V <sub>DD</sub> =15V; I <sub>O</sub> =100mA			1.5	V
V <sub>GATE-H</sub>	Gate High Voltage	V <sub>DD</sub> =13V; I <sub>O</sub> =100mA	8			V
t <sub>r</sub>	Gate Rising Time	V <sub>DD</sub> =15V; C <sub>L</sub> =4.7nF; O/P=2V to 9V	40	70	120	ns
t <sub>f</sub>	Gate Falling Time	V <sub>DD</sub> =15V; C <sub>L</sub> =4.7nF; O/P=9V to 2V	40	60	110	ns
D <sub>PFC-MAX</sub>	Maximum Duty Cycle	V <sub>IEA</sub> <1.2V	94	97		%
D <sub>PFC-MIN</sub>	Minimum Duty Cycle	V <sub>IEA</sub> >4.5V			0	%
<b>Brownout</b>						
V <sub>RMS-UVL</sub>	V <sub>RMS</sub> Threshold Low	FAN4800A/C, FAN4801/02	1.00	1.05	1.10	V
		FAN4802L	0.85	0.90	0.95	V
V <sub>RMS-UVH</sub>	V <sub>RMS</sub> Threshold High	FAN4800A/C, FAN4801/02	1.85	1.90	1.95	V
		FAN4802L	1.60	1.65	1.70	V
ΔV <sub>RMS-UVP</sub>	Hysteresis	FAN4800A/C, FAN4801/02	750	850	950	mV
		FAN4802L	650	750	850	mV
t <sub>UVP</sub>	Under-Voltage Protection Delay Time		340	410	480	ms
<b>Soft-Start</b>						
V <sub>SS-MAX</sub>	Maximum Voltage	V <sub>DD</sub> =15V	9.5	10.0	10.5	V
I <sub>SS</sub>	Soft-Start Current			10		μA
<b>PWM I<sub>LIMIT</sub> Comparator</b>						
V <sub>PWM-ILIMIT</sub>	Threshold Voltage		0.95	1.00	1.05	V
t <sub>PD</sub>	Delay to Output			250		ns
t <sub>PWM-Bnk</sub>	Leading-Edge Blanking Time		170	250	350	ns
<b>Range (FAN4801/02/02L)</b>						
V <sub>RMS-L</sub>	RMS AC Voltage Low	When V <sub>RMS</sub> =1.95V at 132V <sub>RMS</sub>	1.90	1.95	2.00	V
V <sub>RMS-H</sub>	RMS AC Voltage High	When V <sub>RMS</sub> =2.45V at 150V <sub>RMS</sub>	2.40	2.45	2.50	V
V <sub>EA-L</sub>	VEA Low	When V <sub>VEA</sub> =1.95V at 30% Loading, When V <sub>VEA</sub> =2.80V at 60% Loading	1.90	1.95	2.00	V
V <sub>EA-H</sub>	VEA High	When V <sub>VEA</sub> =2.45V at 40% Loading, When V <sub>VEA</sub> =3.35V at 70% Loading	2.40	2.45	2.50	V
I <sub>tc</sub>	Two-Level Current	FBPFC Two-Level Current	18	20	22	μA

**Electrical Characteristics** (Continued)

$V_{DD}=15V$ ,  $T_A=25^\circ C$ ,  $R_T=6.8k\Omega$ ,  $C_T=1000pF$  unless noted operating specifications.

Symbol	Parameter	Conditions	Min.	Typ.	Max.	Units
<b>PWM Output Driver</b>						
$V_{GATE-CLAMP}$	Gate Output Clamping Voltage	$V_{DD}=22V$	13	15	17	V
$V_{GATE-L}$	Gate Low Voltage	$V_{DD}=15V$ ; $I_O=100mA$			1.5	V
$V_{GATE-H}$	Gate High Voltage	$V_{DD}=13V$ ; $I_O=100mA$	8			V
$t_r$	Gate Rising Time	$V_{DD}=15V$ ; $C_L=4.7nF$	30	60	120	ns
$t_f$	Gate Falling Time	$V_{DD}=15V$ ; $C_L=4.7nF$	30	50	110	ns
$D_{PWM-MAX}$	Maximum Duty Cycle		49.0	49.5	50.0	%
$V_{PWM-LS}$	PWM Comparator Level Shift		1.3	1.5	1.8	V

**Notes:**

- This parameter, although guaranteed by design, is not 100% production tested.
- $Gain=K \times 5.3 \times (V_{RMS}^2)-1$ ;  $K=(I_{SENSE} - I_{OFFSET}) \times [I_{AC} \times (V_{EA} - 0.7V)]-1$ ;  $V_{EA(MAX.)}=5.6V$ .

## Typical Characteristics

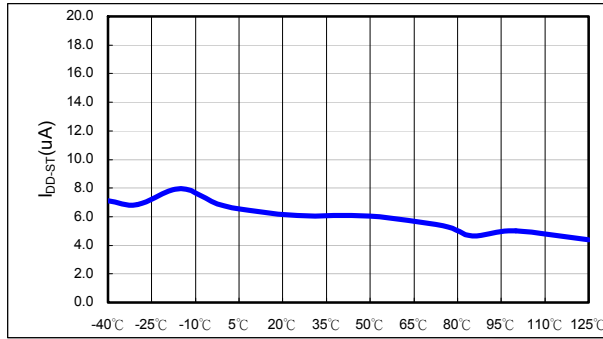


Figure 8. I<sub>DD-ST</sub> vs. Temperature

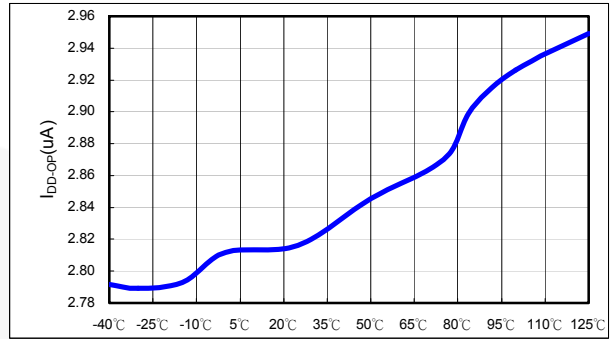


Figure 9. I<sub>DD-OP</sub> vs. Temperature

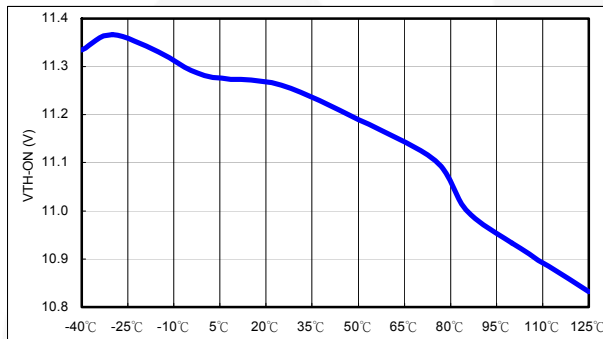


Figure 10. V<sub>TH-ON</sub> vs. Temperature

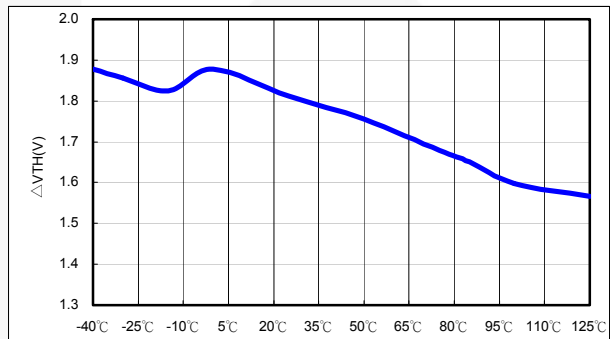


Figure 11. ΔV<sub>TH</sub> vs. Temperature

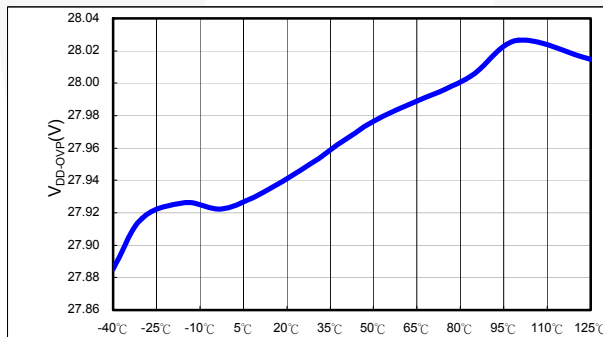


Figure 12. V<sub>DD-OVP</sub> vs. Temperature

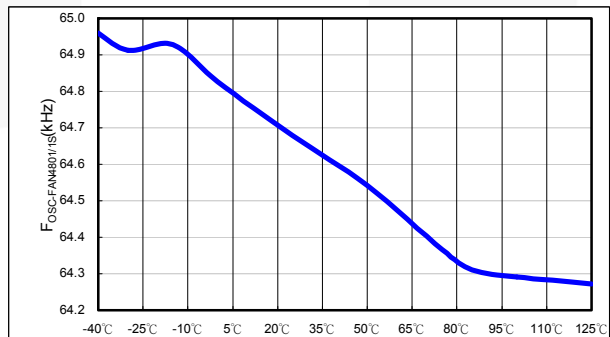


Figure 13. f<sub>OSC-FAN4801/1S</sub> vs. Temperature

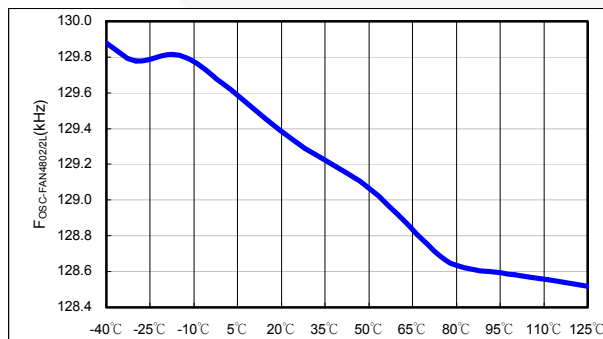


Figure 14. f<sub>OSC-FAN4802/2L</sub> vs. Temperature

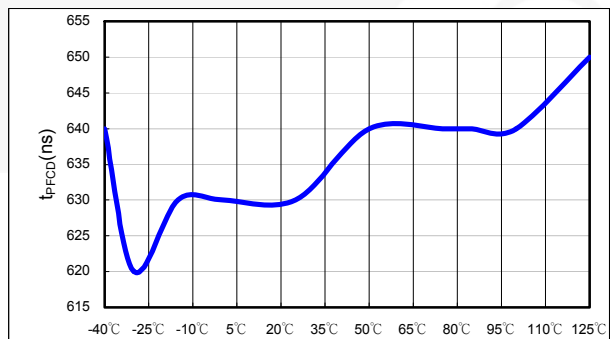


Figure 15. t<sub>PFC</sub> vs. Temperature

## Typical Characteristics

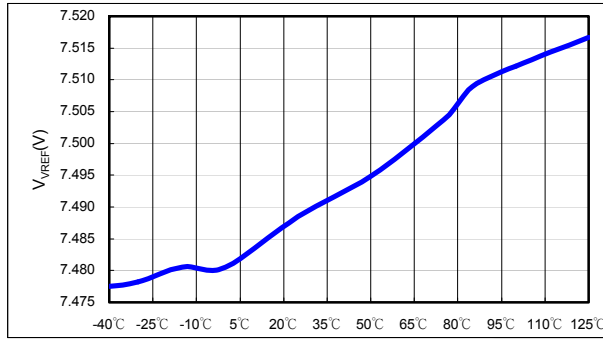


Figure 16.  $V_{VREF}$  vs. Temperature

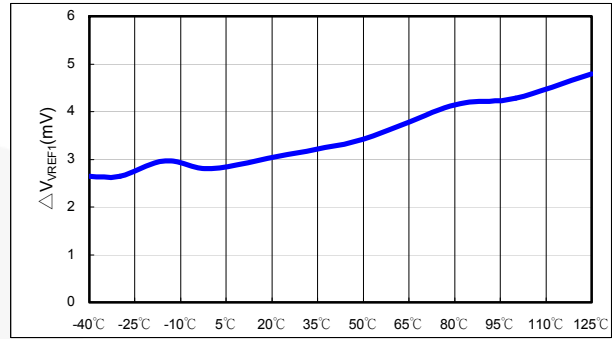


Figure 17.  $\Delta V_{VREF1}$  vs. Temperature

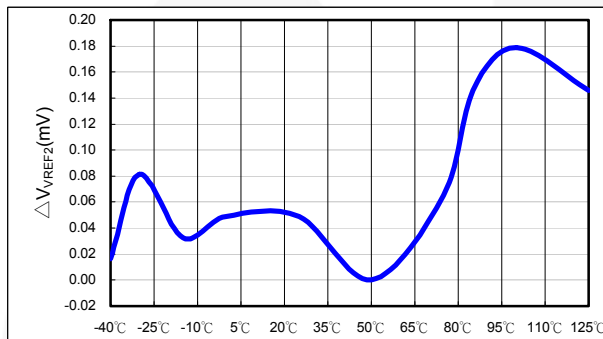


Figure 18.  $\Delta V_{VREF2}$  vs. Temperature

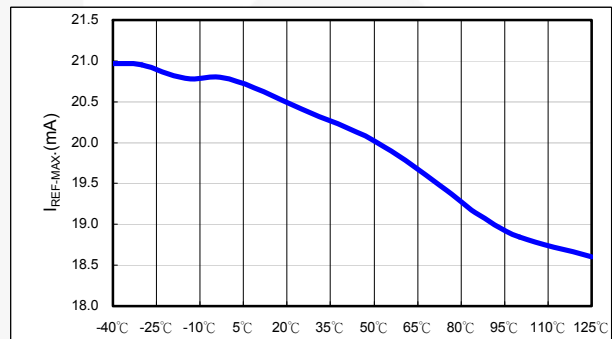


Figure 19.  $I_{REF-MAX}$  vs. Temperature

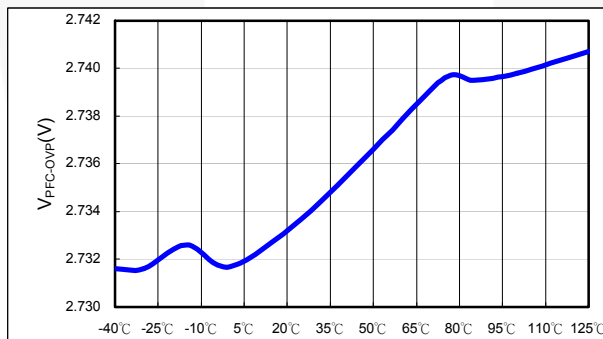


Figure 20.  $V_{PFC-OVP}$  vs. Temperature

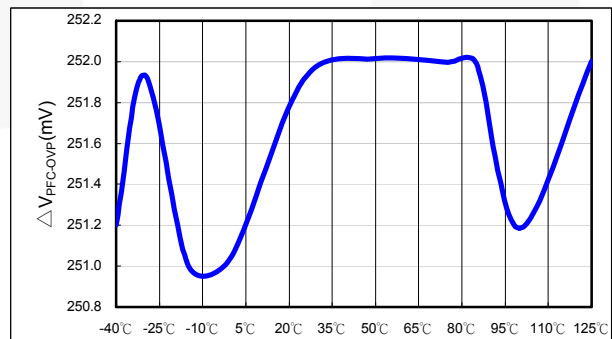


Figure 21.  $\Delta V_{PFC-OVP}$  vs. Temperature

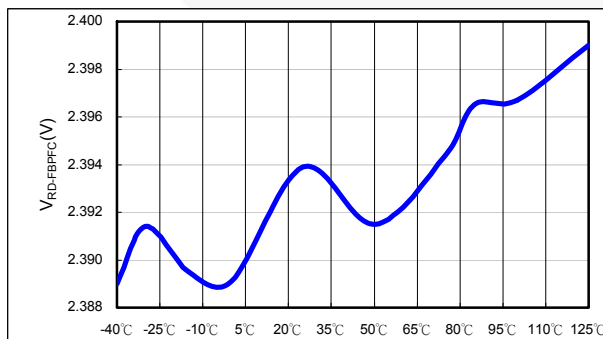


Figure 22.  $V_{RD-FBPFC}$  vs. Temperature

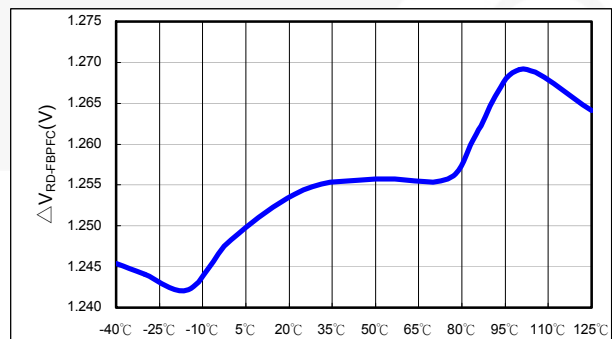


Figure 23.  $\Delta V_{RD-FBPFC}$  vs. Temperature

## Typical Characteristics

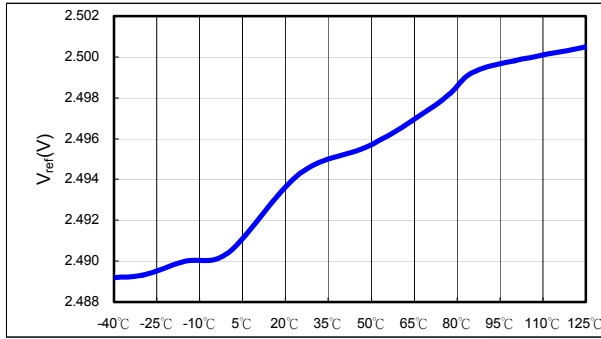


Figure 24.  $V_{ref}$  vs. Temperature

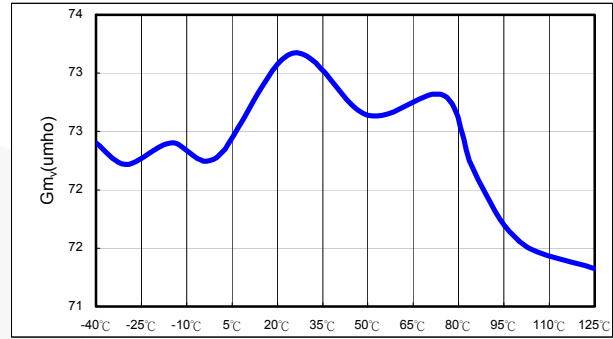


Figure 25.  $G_{mV}$  vs. Temperature

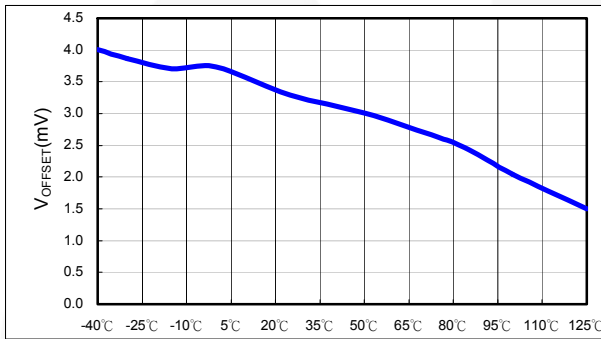


Figure 26.  $V_{OFFSET}$  vs. Temperature

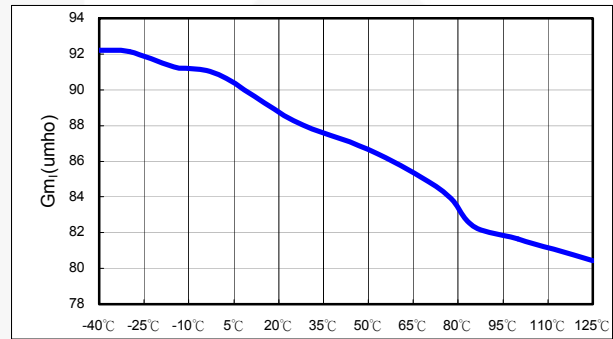


Figure 27.  $G_{mI}$  vs. Temperature

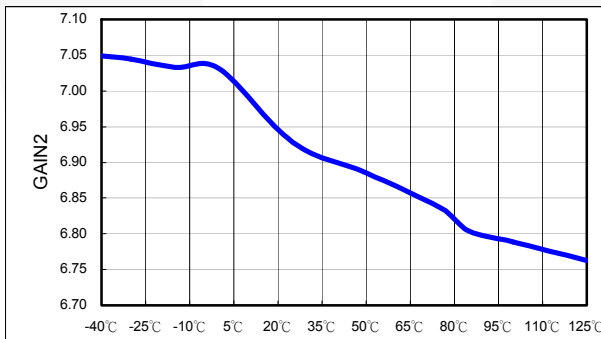


Figure 28.  $GAIN2$  vs. Temperature

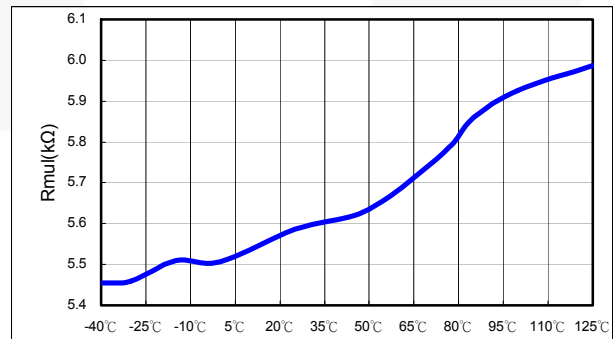


Figure 29.  $R_{mul}$  vs. Temperature

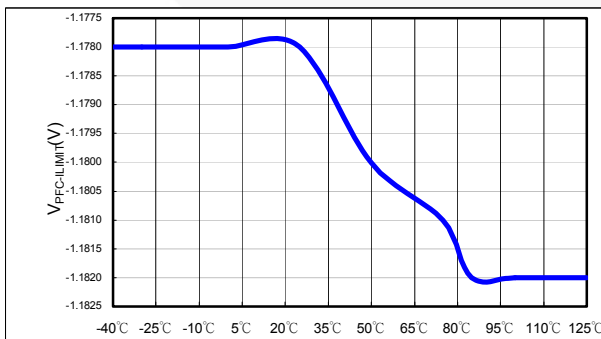


Figure 30.  $V_{PFC-LIMIT}$  vs. Temperature

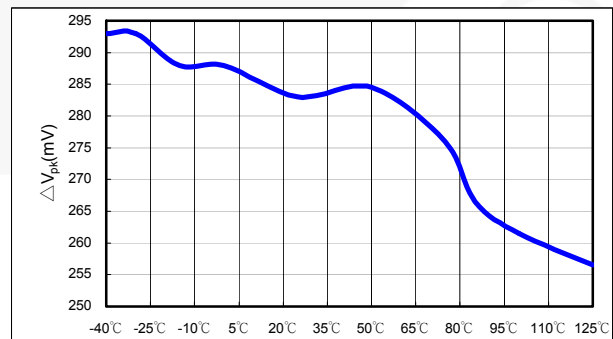


Figure 31.  $\Delta V_{pk}$  vs. Temperature



## Typical Characteristics

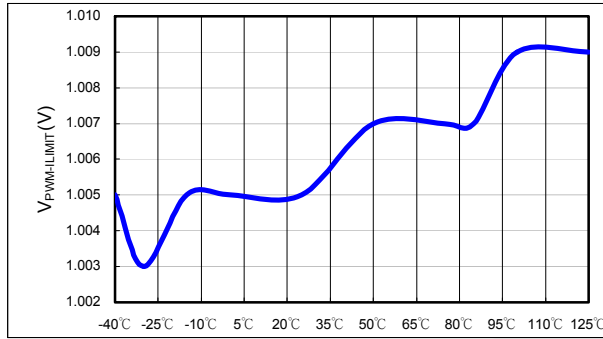


Figure 32.  $V_{PWM-LIMIT}$  vs. Temperature

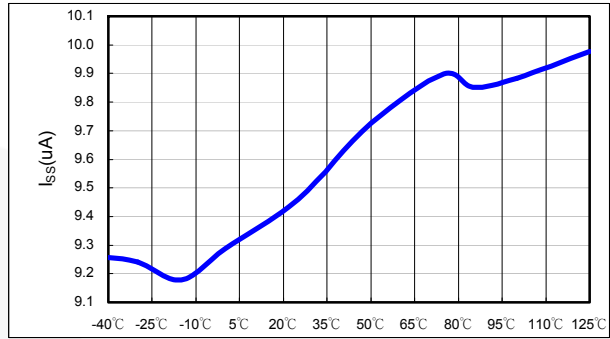


Figure 33.  $I_{SS}$  vs. Temperature

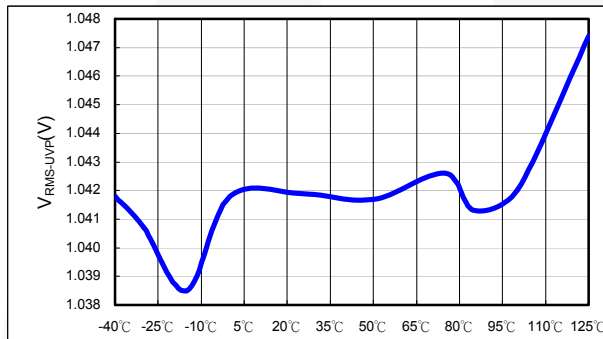


Figure 34.  $V_{RMS-UVF}$  vs. Temperature

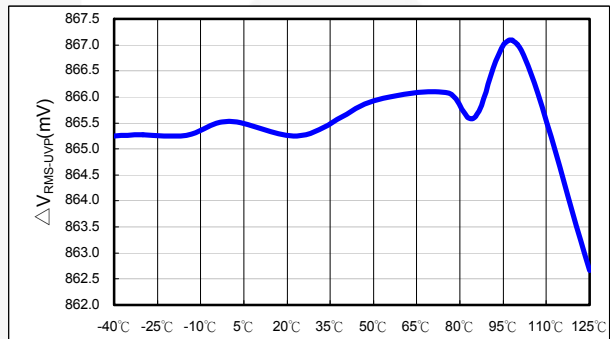


Figure 35.  $\Delta V_{RMS-UVF}$  vs. Temperature

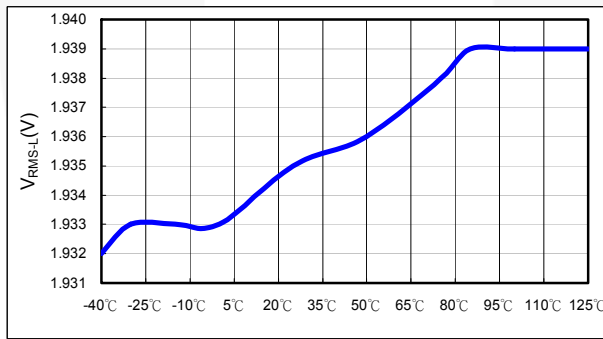


Figure 36.  $V_{RMS-L}$  vs. Temperature

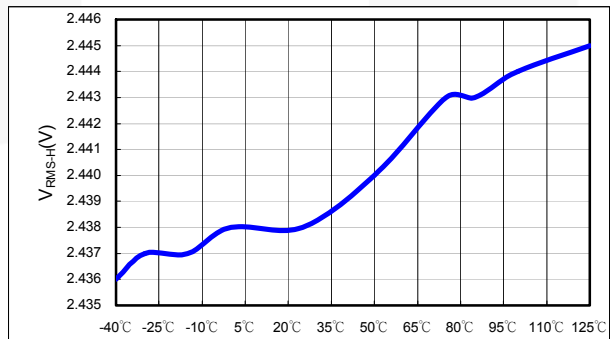


Figure 37.  $V_{RMS-H}$  vs. Temperature

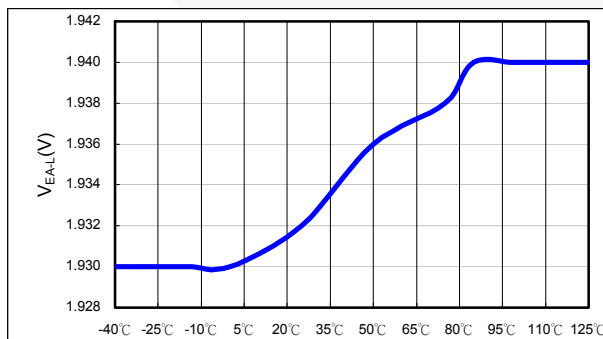


Figure 38.  $V_{EA-L}$  vs. Temperature

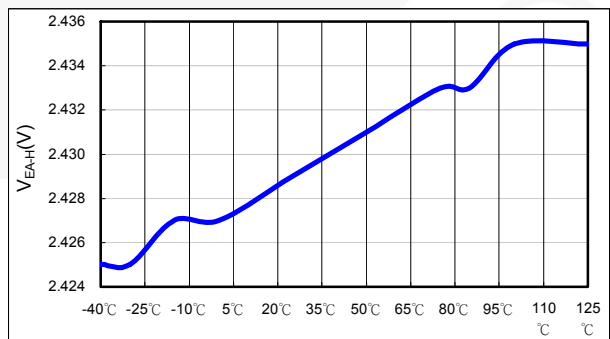


Figure 39.  $V_{EA-H}$  vs. Temperature

## Typical Characteristics

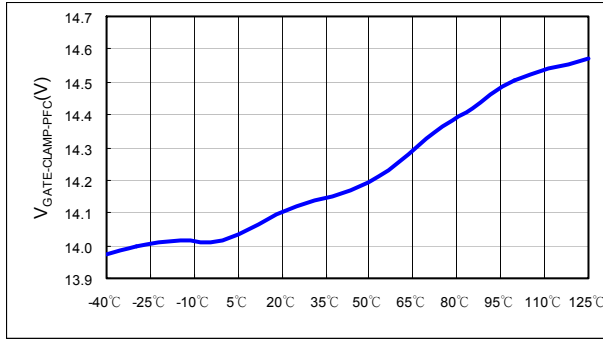


Figure 40. V<sub>GATE-CLAMP-PFC</sub> vs. Temperature

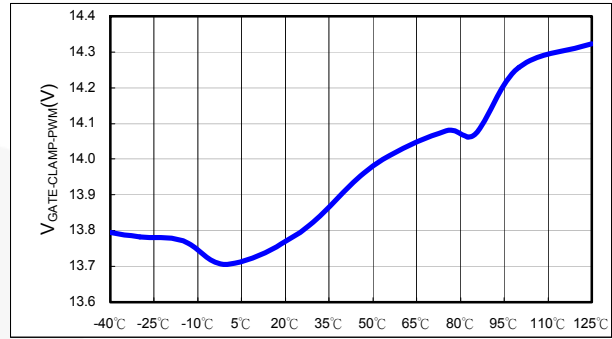


Figure 41. V<sub>GATE-CLAMP-PWM</sub> vs. Temperature

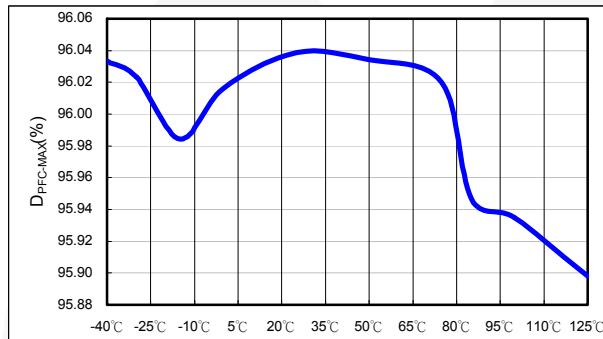


Figure 42. D<sub>PFC-MAX</sub> vs. Temperature

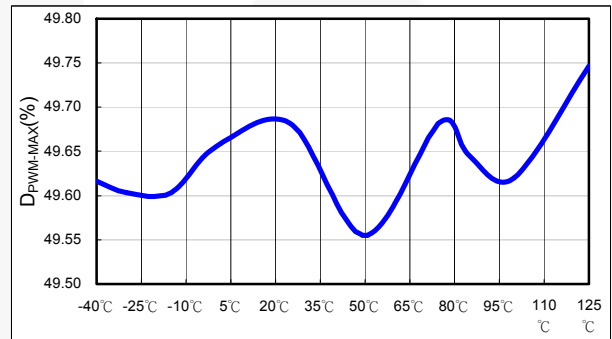


Figure 43. D<sub>PWM-MAX</sub> vs. Temperature

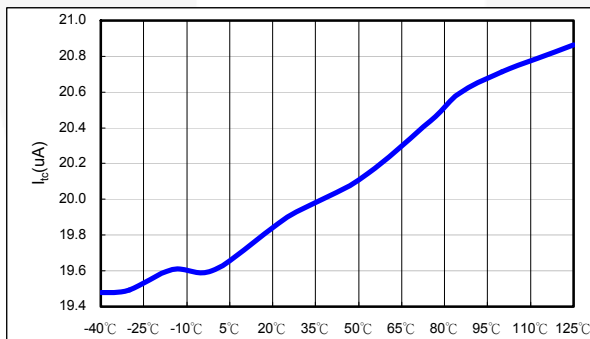


Figure 44. I<sub>IC</sub> vs. Temperature

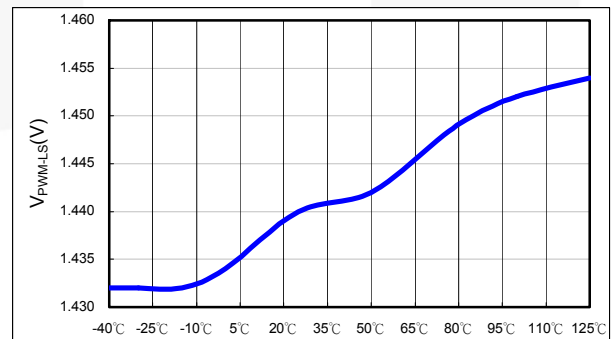


Figure 45. V<sub>PWM-LS</sub> vs. Temperature

## Functional Description

The FAN4800A/C and FAN4801/02/02L consist of an average current controlled, continuous boost Power Factor Correction (PFC) front-end and a synchronized Pulse Width Modulator (PWM) back-end. The PWM can be used in current or voltage mode. In voltage mode, feed forward from the PFC output bus can be used to improve the line regulation of PWM. In either mode, the PWM stage uses conventional trailing-edge, duty-cycle modulation. This proprietary leading/trailing edge modulation results in a higher usable PFC error amplifier bandwidth and can significantly reduce the size of the PFC DC bus capacitor.

The synchronization of the PWM with the PFC simplifies the PWM compensation due to the controlled ripple on the PFC output capacitor (the PWM input capacitor). The PWM section of the FAN4800A, FAN4801/1S operates at the same frequency as the PFC; and FAN4800C, FAN4802/2L operates at double with PFC.

In addition to power factor correction, a number of protection features are built into this series. They include soft-start, PFC over-voltage protection, peak current limiting, brownout protection, duty cycle limiting, and under-voltage lockout (UVLO).

### Gain Modulator

The gain modulator is the heart of the PFC, as the circuit block controls the response of the current loop to line voltage waveform and frequency, RMS line voltage, and PFC output voltages. There are three inputs to the gain modulator:

1. A current representing the instantaneous input voltage (amplitude and wave shape) to the PFC. The rectified AC input sine wave is converted to a proportional current via a resistor and is fed into the gain modulator at IAC. Sampling current in this way minimizes ground noise, required in high-power, switching-power conversion environments. The gain modulator responds linearly to this current.
2. A voltage proportional to the long-term RMS AC line voltage, derived from the rectified line voltage after scaling and filtering. This signal is presented to the gain modulator at VRMS. The output of the gain modulator is inversely proportional to VRMS (except at unusually low values of VRMS, where special gain contouring takes over to limit power dissipation of the circuit components under brownout conditions).
3. The output of the voltage error amplifier, VEA. The gain modulator responds linearly to variations in this voltage.

The output of the gain modulator is a current signal, in the form of a full wave rectified sinusoid at twice the line frequency. This current is applied to the virtual ground (negative) input of the current error amplifier. In this way, the gain modulator forms the reference for the current error loop and ultimately controls the instantaneous current draw of the PFC from the power line. The general form of the output of the gain modulator is:

$$I_{GAINMOD} = \frac{IAC \times (VEA - 0.7)}{VRMS^2} \times K \quad (1)$$

Note that the output current of the gain modulator is limited around 159 $\mu$ A and the maximum output voltage of the gain modulator is limited to 159 $\mu$ A  $\times$  5.7K=0.906V. This 0.906V also determines the maximum input power.

However,  $I_{GAINMOD}$  cannot be measured directly from ISENSE.  $ISENSE = I_{GAINMOD} - I_{OFFSET}$  and  $I_{OFFSET}$  can only be measured when VEA is less than 0.5V and  $I_{GAINMOD}$  is 0A. Typical  $I_{OFFSET}$  is around 31 $\mu$ A ~ 48 $\mu$ A.

### Selecting $R_{AC}$ for IAC Pin

The IAC pin is the input of the gain modulator and also a current mirror input and requires current input. Selecting a proper resistor  $R_{AC}$  provides a good sine wave current derived from the line voltage and helps program the maximum input power and minimum input line voltage.  $R_{AC} = V_{IN\ peak} \times 56K\Omega$ . For example, if the minimum line voltage is 75V<sub>AC</sub>, the  $R_{AC} = 75 \times 1.414 \times 56K\Omega = 6M\Omega$ .

### Current Amplifier Error, IEA

The current error amplifier's output controls the PFC duty cycle to keep the average current through the boost inductor a linear function of the line voltage. At the inverting input to the current error amplifier, the output current of the gain modulator is summed with a current, which results in a negative voltage being impressed upon the ISENSE pin.

The negative voltage on ISENSE represents the sum of all currents flowing in the PFC circuit and is typically derived from a current sense resistor in series with the negative terminal of the input bridge rectifier.

The inverting input of the current error amplifier is a virtual ground. Given this fact, and the arrangement of the duty cycle modulator polarities internal to the PFC, an increase in positive current from the gain modulator causes the output stage to increase its duty cycle until the voltage on ISENSE is adequately negative to cancel this increased current. Similarly, if the gain modulator's output decreases, the output duty cycle decreases to achieve a less negative voltage on the ISENSE pin.

### PFC Cycle-By-Cycle Current Limiter

As well as being a part of the current feedback loop, the ISENSE pin is a direct input to the cycle-by-cycle current limiter for the PFC section. If the input voltage at this pin is less than -1.15V, the output of the PFC is disabled until the protection flip-flop is reset by the clock pulse at the start of the next PFC power cycle.

### TriFault Detect™

To improve power supply reliability, reduce system component count, and simplify compliance to UL 1950 safety standards, the FAN4800A/C, FAN4801/02/02L includes TriFault Detect. This feature monitors FBPFC for certain PFC fault conditions.

In a feedback path failure, the output of the PFC could exceed safe operating limits. With such a failure, FBPFC exceeds its normal operating area. Should FBPFC go too LOW, too HIGH, or OPEN, TriFault Detect senses the error and terminates the PFC output drive.

TriFault detect is an entirely internal circuit. It requires no external components to serve its protective function.

### PFC Over-Voltage Protection

In the FAN4800A/C, FAN4801/02/02L, the PFC OVP comparator serves to protect the power circuit from being subjected to excessive voltages if the load changes suddenly. A resistor divider from the high-voltage DC output of the PFC is fed to FBPFC. When the voltage on FBPFC exceeds 2.75V, the PFC output driver is shut down. The PWM section continues to operate. The OVP comparator has 250mV of hysteresis and the PFC does not restart until the voltage at FBPFC drops below 2.50V.  $V_{DD}$  OVP can also serve as a redundant PFC OVP protection.  $V_{DD}$  OVP threshold is 28V with 1V hysteresis.

### Selecting PFC $R_{SENSE}$

$R_{SENSE}$  is the sensing resistor of the PFC boost converter. During the steady state, line input current  $\times R_{SENSE}$  equals  $I_{GAINMOD} \times 5.7K\Omega$ .

At full load, the average  $V_{EA}$  needs to around 4.5V and ripple on the  $V_{EA}$  needs to be less than 400mV. Choose the resistance of the sensing resistor:

$$R_{sense} = \frac{(4.5 - 0.7) \times 5.7K\Omega \times IAC \times Gain \times V_{IN} \times \sqrt{2}}{2 \times (5.6 - 0.7) \times Line\ input\ Power} \quad (2)$$

where 5.6 is  $V_{EA}$  maximum output.

### PFC Soft-Start

PFC startup is controlled by  $V_{EA}$  level. Before FBPFC voltage reaches 2.4V, the  $V_{EA}$  level is around 2.8V. At 90V<sub>AC</sub>, the PFC soft-start time is 90ms.

### PFC Brownout

The AC UVP comparator monitors the AC input voltage. The FAN4800A/C, FAN4801/02 disables PFC as lower AC input such that the  $V_{RMS}$  is less than 1.05V. The brownout voltage of FAN4802L is lower than FAN4801/1S/2, such that the  $V_{RMS}$  is less than 0.9V.

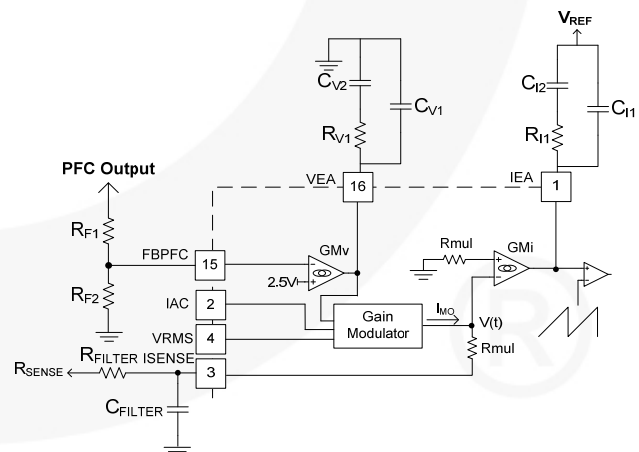
### Error Amplifier Compensation

The PWM loading of the PFC can be modeled as a negative resistor because an increase in the input voltage to the PWM causes a decrease in the input current. This response dictates the proper compensation of the two transconductance error amplifiers. Figure 46 shows the types of compensation networks most commonly used for the voltage and current error amplifiers, along with their respective return points. The current-loop compensation is returned to  $V_{REF}$  to produce a soft-start characteristic on the PFC: As the reference voltage increases from 0V, it creates a differentiated voltage on IEA, which prevents the PFC from immediately demanding a full duty cycle on its boost converter. Complete design is referred in application note AN-6078SC.

There is an RC filter between  $R_{SENSE}$  and ISENSE pin. There are two reasons to add a filter at the ISENSE pin:

1. Protection: During startup or inrush current conditions, there is a large voltage across  $R_{SENSE}$ , which is the sensing resistor of the PFC boost converter. It requires the ISENSE filter to attenuate the energy.
2. To reduce L, the boost inductor: The ISENSE filter also can reduce the boost inductor value since the ISENSE filter behaves like an integrator before the ISENSE pin, which is the input of the current error amplifier, IEA.

The ISENSE filter is an RC filter. The resistor value of the ISENSE filter is between 100 $\Omega$  and 50 $\Omega$  because  $I_{OFFSET} \times R_{FILTER}$  can generate a negative offset voltage of IEA. Selecting an  $R_{FILTER}$  equal to 50 $\Omega$  keeps the offset of the IEA less than 3mV. Design the pole of ISENSE filter at  $f_{PFC}/6$ , one sixth of the PFC switching frequency, so the boost inductor can be reduced six times without disturbing the stability. The capacitor of the ISENSE filter,  $C_{FILTER}$ , is approximately 100nF.



**Figure 46. Compensation Network Connection for the Voltage and Current Error Amplifiers**

## Two-Level PFC Function

To improve the efficiency, the system can reduce PFC switching loss at low line and light load by reducing the PFC output voltage. The two-level PFC output of FAN4801/02/02L can be programmable.

As Figure 47 shows, FAN4801/02/02L detect VEA pin and VRMS pin to determine the system operates low line and light load or not. At the second-level PFC, there is a current of 20μA through R<sub>F2</sub> from FBPF2 pin. So the second-level PFC output voltage can be calculated as.

$$\text{Output} \cong \frac{R_{F1} + R_{F2}}{R_{F2}} \times (2.5V - 20\mu A \times R_{F2}) \quad (3)$$

For example, if the second-level PFC output voltage is expected as 300V and normal voltage is 387V, according to the equation, R<sub>F2</sub> is 28kΩ R<sub>F1</sub> is 4.3MΩ.

The programmable range of second level PFC output voltage is 340V ~ 300V.

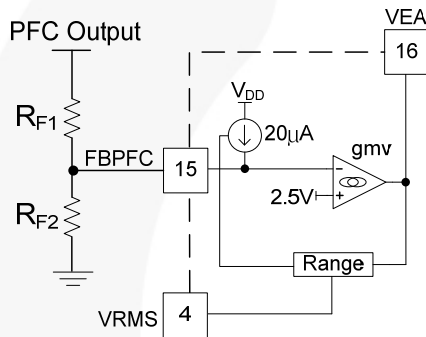


Figure 47. Two-Level PFC Scheme

## Oscillator (R<sub>T</sub>/C<sub>T</sub>)

The oscillator frequency is determined by the values of R<sub>T</sub> and C<sub>T</sub>, which determine the ramp and off-time of the oscillator output clock:

$$f_{RT/CT} = \frac{1}{t_{RT/CT} + t_{DEAD}} \quad (4)$$

The dead time of the oscillator is derived from the following equation:

$$t_{RT/CT} = C_T \times R_T \times \ln\left(\frac{V_{REF} - 1}{V_{REF} - 3.8}\right) \quad (5)$$

at V<sub>REF</sub>=7.5V and t<sub>RT/CT</sub>=C<sub>T</sub> × R<sub>T</sub> × 0.56.

The dead time of the oscillator is determined using:

$$t_{DEAD} = \frac{2.8V}{7.78mA} \times C_T = 360 \times C_T \quad (6)$$

The dead time is so small (t<sub>RT/CT</sub> >> t<sub>DEAD</sub>) that the operating frequency can typically be approximated by:

$$f_{RT/CT} = \frac{1}{t_{RT/CT}} \quad (7)$$

## Pulse Width Modulator (PWM)

The operation of the PWM section is straightforward, but there are several points that should be noted. Foremost among these is the inherent synchronization of PWM with the PFC section of the device, from which it also derives its basic timing. The PWM is capable of current-mode or voltage-mode operation. In current-mode applications, the PWM ramp (RAMP) is usually derived directly from a current sensing resistor or current transformer in the primary of the output stage. It is thereby representative of the current flowing in the converter's output stage. I<sub>LIMIT</sub>, which provides cycle-by-cycle current limiting, is typically connected to RAMP in such applications. For voltage-mode operation and certain specialized applications, RAMP can be connected to a separate RC timing network to generate a voltage ramp against which FBPWM is compared. Under these conditions, the use of voltage feed-forward from the PFC bus can assist in line regulation accuracy and response. As in current-mode operation, the I<sub>LIMIT</sub> input is used for output stage over-current protection. No voltage error amplifier is included in the PWM stage, as this function is generally performed on the output side of the PWM's isolation boundary. To facilitate the design of opto-coupler feedback circuitry, an offset has been built into the PWM's RAMP input that allows FBPWM to command a 0% duty cycle for input voltages below typical 1.5V.

## PWM Cycle-By-Cycle Current Limiter

The I<sub>LIMIT</sub> pin is a direct input to the cycle-by-cycle current limiter for the PWM section. Should the input voltage at this pin ever exceed 1V, the output flip-flop is reset by the clock pulse at the start of the next PWM power cycle. When the I<sub>LIMIT</sub> triggers the cycle-by-cycle bi-cycle current, it limits the PWM duty cycle mode and the power dissipation is reduced during the dead-short condition.

## V<sub>IN</sub> OK Comparator

The V<sub>IN</sub> OK comparator monitors the DC output of the PFC and inhibits the PWM if the voltage on FBPF2 is less than its nominal 2.4V. Once the voltage reaches 2.4V, which corresponds to the PFC output capacitor being charged to its rated boost voltage, the soft-start begins.

## PWM Soft-Start (SS)

PWM startup is controlled by selection of the external capacitor at soft-start. A current source of 10μA supplies the charging current for the capacitor and startup of the PWM begins at 1.5V.

## PWM Control (RAMP)

When the PWM section is used in current mode, RAMP is generally used as the sampling point for a voltage, representing the current in the primary of the PWM's output transformer. The voltage is derived either from a current sensing resistor or a current transformer. In voltage mode, RAMP is the input for a ramp voltage generated by a second set of timing components ( $R_{RAMP}$ ,  $C_{RAMP}$ ) that have a minimum value of 0V and a peak value of approximately 6V. In voltage mode, feed forward from the PFC output bus is an excellent way to derive the timing ramp for the PWM stage.

## Generating $V_{DD}$

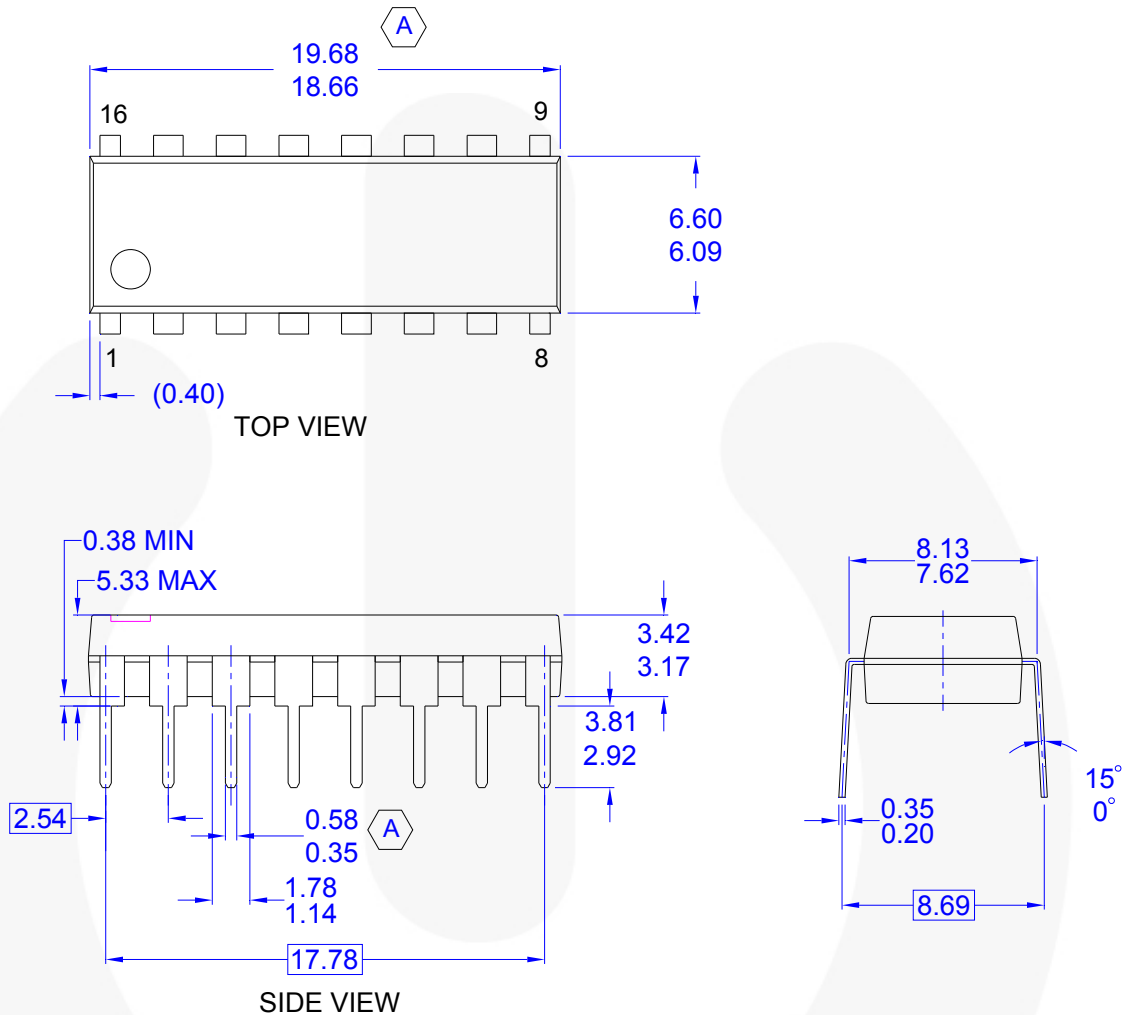
After turning on the FAN4800A/C, FAN4801/02/02L at 11V, the operating voltage can vary from 9.3V to 28V. The threshold voltage of the  $V_{DD}$  OVP comparator is 28V and its hysteresis is 1V. When  $V_{DD}$  reaches 28V, OPFC is LOW, and the PWM section is not disturbed. There are two ways to generate  $V_{DD}$ : use auxiliary power supply around 15V or use bootstrap winding to self-bias the FAN4800A/C, FAN4801/02/02L system. The bootstrap winding can be tapped from the PFC boost choke or the transformer of the DC-to-DC stage.

## Leading/Trailing Modulation

Conventional PWM techniques employ trailing-edge modulation, in which the switch turns on right after the trailing edge of the system clock. The error amplifier output is then compared with the modulating ramp up. The effective duty cycle of the trailing edge modulation is determined during the on-time of the switch.

In the case of leading-edge modulation, the switch is turned off exactly at the leading edge of the system clock. When the modulating ramp reaches the level of the error amplifier output voltage, the switch is turned on. The effective duty-cycle of the leading-edge modulation is determined during off-time of the switch.

## Physical Dimensions



### NOTES: UNLESS OTHERWISE SPECIFIED

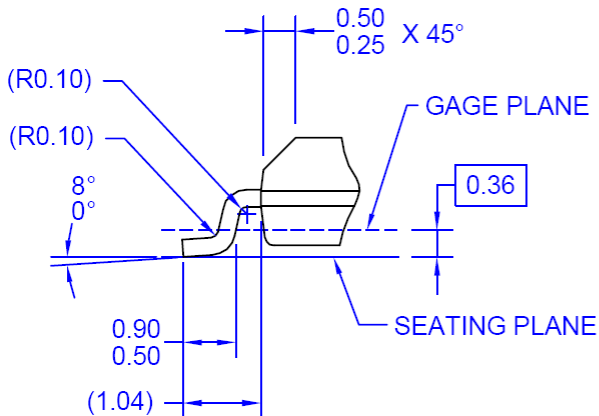
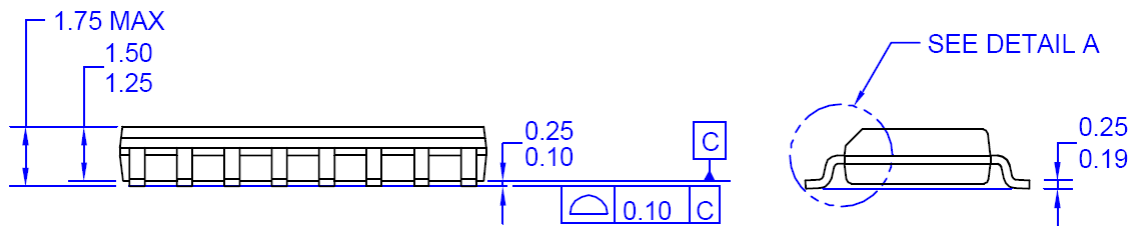
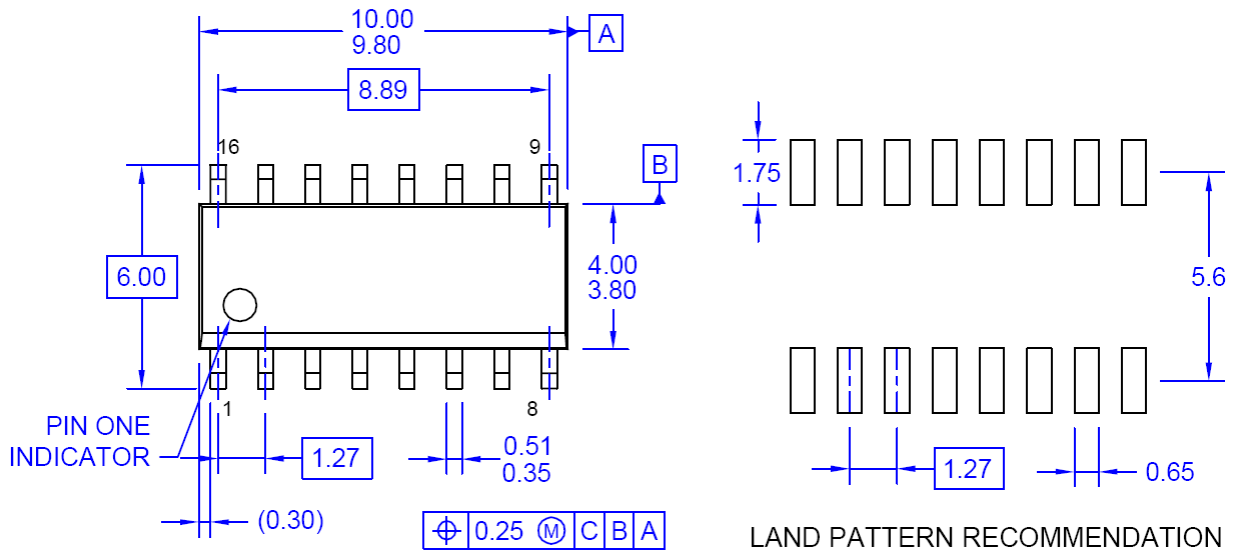
- A) THIS PACKAGE CONFORMS TO JEDEC MS-001 VARIATION BB
- B) ALL DIMENSIONS ARE IN MILLIMETERS.
- C) DIMENSIONS ARE EXCLUSIVE OF BURRS, MOLD FLASH, AND TIE BAR PROTRUSIONS
- D) CONFORMS TO ASME Y14.5M-1994
- E) DRAWING FILE NAME: N16EREV1

**Figure 48. 16-Pin Dual In-Line Package (DIP)**

Package drawings are provided as a service to customers considering Fairchild components. Drawings may change in any manner without notice. Please note the revision and/or date on the drawing and contact a Fairchild Semiconductor representative to verify or obtain the most recent revision. Package specifications do not expand the terms of Fairchild's worldwide terms and conditions, specifically the warranty therein, which covers Fairchild products.

Always visit Fairchild Semiconductor's online packaging area for the most recent package drawings:  
<http://www.fairchildsemi.com/packaging/>.

**Physical Dimensions** (Continued)



NOTES: UNLESS OTHERWISE SPECIFIED

- A) THIS PACKAGE CONFORMS TO JEDEC MS-012, VARIATION AC, ISSUE C.
- B) ALL DIMENSIONS ARE IN MILLIMETERS.
- C) DIMENSIONS ARE EXCLUSIVE OF BURRS, MOLD FLASH AND TIE BAR PROTRUSIONS
- D) CONFORMS TO ASME Y14.5M-1994
- E) LANDPATTERN STANDARD: SOIC127P600X175-16AM
- F) DRAWING FILE NAME: M16AREV12.

**DETAIL A**  
SCALE: 2:1

**Figure 49. 16-Pin Small Outline Package (SOIC)**

Package drawings are provided as a service to customers considering Fairchild components. Drawings may change in any manner without notice. Please note the revision and/or date on the drawing and contact a Fairchild Semiconductor representative to verify or obtain the most recent revision. Package specifications do not expand the terms of Fairchild's worldwide terms and conditions, specifically the warranty therein, which covers Fairchild products.


Always visit Fairchild Semiconductor's online packaging area for the most recent package drawings:  
<http://www.fairchildsemi.com/packaging/>.





**TRADEMARKS**

The following includes registered and unregistered trademarks and service marks, owned by Fairchild Semiconductor and/or its global subsidiaries, and is not intended to be an exhaustive list of all such trademarks.

- |  |   |  |   |
|--|---|--|---|
| AccuPower™   | F-PFS™  | Power-SPM™   | The Power Franchise®  |
| Auto-SPM™  | FRFET®  | PowerTrench®   | The Right Technology for Your Success™  |
| AX-CAP™  | Global Power Resource™  | PowerIX™   | <b>the power franchise</b>  |
| Build it Now™  | Green FPST™   | Programmable Active Droop™   | TinyBoost™  |
| CorePLUS™  | Green FPST™ e-Series™   | QFET®  | TinyBuck™   |
| CorePOWER™   | Gmax™   | QST™   | TinyCalc™   |
| CROSSVOL7™   | GTO™  | Quiet Series™  | TinyLogic®  |
| CTL™   | IntelliMAX™   | RapidConfigure™  | TINYOPTO™   |
| Current Transfer Logic™  | ISOPLANAR™  |  ™                | TinyPower™  |
| DEUXPEED®  | MegaBuck™   | Saving our world, 1mW/kW at a time™  | TinyPWM™  |
| Dual Cool™   | MICROCOUPLER™   | SignalVise™  | TinyWire™   |
| EcoSPARK®  | MicroFET™   | SmartMax™  | TriFault Detect™  |
| EfficientMax™  | MicroPak™   | SMART START™   | TRUECURRENT™*   |
| ESBC™  | MicroPak2™  | SPM®   | µSerDes™  |
|  Fairchild® | MillerDrive™  | STEALTH™   |  SerDes® |
| Fairchild Semiconductor®   | MotionMax™  | SuperFET®  | UHC®  |
| FACT Quiet Series™   | Motion-SPM™   | SuperSOT™3   | Ultra FRFET™  |
| FACT®  | mWSaver™  | SuperSOT™8   | UniFET™   |
| FAST®  | OptoHIT™  | SuperSOT™8   | VCX™  |
| FastvCore™   | OPTOLOGIC®  | SupreMOS®  | VisualMax™  |
| FETBench™  | OPTOPLANAR®   | SyncFET™   | XS™   |
| FlashWriter®   |  | Sync-Lock™   |   |
| FPST™  | PDP SPM™  |  SYSTEM GENERAL®* |   |

\* Trademarks of System General Corporation, used under license by Fairchild Semiconductor.

**DISCLAIMER**

FAIRCHILD SEMICONDUCTOR RESERVES THE RIGHT TO MAKE CHANGES WITHOUT FURTHER NOTICE TO ANY PRODUCTS HEREIN TO IMPROVE RELIABILITY, FUNCTION, OR DESIGN. FAIRCHILD DOES NOT ASSUME ANY LIABILITY ARISING OUT OF THE APPLICATION OR USE OF ANY PRODUCT OR CIRCUIT DESCRIBED HEREIN; NEITHER DOES IT CONVEY ANY LICENSE UNDER ITS PATENT RIGHTS, NOR THE RIGHTS OF OTHERS. THESE SPECIFICATIONS DO NOT EXPAND THE TERMS OF FAIRCHILD'S WORLDWIDE TERMS AND CONDITIONS, SPECIFICALLY THE WARRANTY THEREIN, WHICH COVERS THESE PRODUCTS.

**LIFE SUPPORT POLICY**

FAIRCHILD'S PRODUCTS ARE NOT AUTHORIZED FOR USE AS CRITICAL COMPONENTS IN LIFE SUPPORT DEVICES OR SYSTEMS WITHOUT THE EXPRESS WRITTEN APPROVAL OF FAIRCHILD SEMICONDUCTOR CORPORATION.

As used herein:

1. Life support devices or systems are devices or systems which, (a) are intended for surgical implant into the body or (b) support or sustain life, and (c) whose failure to perform when properly used in accordance with instructions for use provided in the labeling, can be reasonably expected to result in a significant injury of the user.
2. A critical component in any component of a life support, device, or system whose failure to perform can be reasonably expected to cause the failure of the life support device or system, or to affect its safety or effectiveness.

**ANTI-COUNTERFEITING POLICY**

Fairchild Semiconductor Corporation's Anti-Counterfeiting Policy. Fairchild's Anti-Counterfeiting Policy is also stated on our external website, [www.fairchildsemi.com](http://www.fairchildsemi.com), under Sales Support.

Counterfeiting of semiconductor parts is a growing problem in the industry. All manufacturers of semiconductor products are experiencing counterfeiting of their parts. Customers who inadvertently purchase counterfeit parts experience many problems such as loss of brand reputation, substandard performance, failed applications, and increased cost of production and manufacturing delays. Fairchild is taking strong measures to protect ourselves and our customers from the proliferation of counterfeit parts. Fairchild strongly encourages customers to purchase Fairchild parts either directly from Fairchild or from Authorized Fairchild Distributors who are listed by country on our web page cited above. Products customers buy either from Fairchild directly or from Authorized Fairchild Distributors are genuine parts, have full traceability, meet Fairchild's quality standards for handling and storage and provide access to Fairchild's full range of up-to-date technical and product information. Fairchild and our Authorized Distributors will stand behind all warranties and will appropriately address any warranty issues that may arise. Fairchild will not provide any warranty coverage or other assistance for parts bought from Unauthorized Sources. Fairchild is committed to combat this global problem and encourage our customers to do their part in stopping this practice by buying direct or from authorized distributors.

**PRODUCT STATUS DEFINITIONS**

**Definition of Terms**

Datasheet Identification	Product Status	Definition
Advance Information	Formative / In Design	Datasheet contains the design specifications for product development. Specifications may change in any manner without notice.
Preliminary	First Production	Datasheet contains preliminary data; supplementary data will be published at a later date. Fairchild Semiconductor reserves the right to make changes at any time without notice to improve design.
No Identification Needed	Full Production	Datasheet contains final specifications. Fairchild Semiconductor reserves the right to make changes at any time without notice to improve the design.
Obsolete	Not In Production	Datasheet contains specifications on a product that is discontinued by Fairchild Semiconductor. The datasheet is for reference information only.

Rev. 152

ON Semiconductor and  are trademarks of Semiconductor Components Industries, LLC dba ON Semiconductor or its subsidiaries in the United States and/or other countries. ON Semiconductor owns the rights to a number of patents, trademarks, copyrights, trade secrets, and other intellectual property. A listing of ON Semiconductor's product/patent coverage may be accessed at [www.onsemi.com/site/pdf/Patent-Marking.pdf](http://www.onsemi.com/site/pdf/Patent-Marking.pdf). ON Semiconductor reserves the right to make changes without further notice to any products herein. ON Semiconductor makes no warranty, representation or guarantee regarding the suitability of its products for any particular purpose, nor does ON Semiconductor assume any liability arising out of the application or use of any product or circuit, and specifically disclaims any and all liability, including without limitation special, consequential or incidental damages. Buyer is responsible for its products and applications using ON Semiconductor products, including compliance with all laws, regulations and safety requirements or standards, regardless of any support or applications information provided by ON Semiconductor. "Typical" parameters which may be provided in ON Semiconductor data sheets and/or specifications can and do vary in different applications and actual performance may vary over time. All operating parameters, including "Typicals" must be validated for each customer application by customer's technical experts. ON Semiconductor does not convey any license under its patent rights nor the rights of others. ON Semiconductor products are not designed, intended, or authorized for use as a critical component in life support systems or any FDA Class 3 medical devices or medical devices with a same or similar classification in a foreign jurisdiction or any devices intended for implantation in the human body. Should Buyer purchase or use ON Semiconductor products for any such unintended or unauthorized application, Buyer shall indemnify and hold ON Semiconductor and its officers, employees, subsidiaries, affiliates, and distributors harmless against all claims, costs, damages, and expenses, and reasonable attorney fees arising out of, directly or indirectly, any claim of personal injury or death associated with such unintended or unauthorized use, even if such claim alleges that ON Semiconductor was negligent regarding the design or manufacture of the part. ON Semiconductor is an Equal Opportunity/Affirmative Action Employer. This literature is subject to all applicable copyright laws and is not for resale in any manner.

## PUBLICATION ORDERING INFORMATION

### LITERATURE FULFILLMENT:

Literature Distribution Center for ON Semiconductor  
19521 E. 32nd Pkwy, Aurora, Colorado 80011 USA  
**Phone:** 303-675-2175 or 800-344-3860 Toll Free USA/Canada  
**Fax:** 303-675-2176 or 800-344-3867 Toll Free USA/Canada  
**Email:** [orderlit@onsemi.com](mailto:orderlit@onsemi.com)

**N. American Technical Support:** 800-282-9855 Toll Free  
USA/Canada  
**Europe, Middle East and Africa Technical Support:**  
Phone: 421 33 790 2910  
**Japan Customer Focus Center**  
Phone: 81-3-5817-1050

**ON Semiconductor Website:** [www.onsemi.com](http://www.onsemi.com)  
**Order Literature:** <http://www.onsemi.com/orderlit>  
For additional information, please contact your local  
Sales Representative

## X-ON Electronics

Largest Supplier of Electrical and Electronic Components

*Click to view similar products for [Power Factor Correction - PFC category](#):*

*Click to view products by [ON Semiconductor manufacturer](#):*

Other Similar products are found below :

[L6564TD](#) [FAN7930MX](#) [L4984D](#) [NCP1612A1DR2G](#) [NCP1618ADR2G](#) [TDA4863GXUMA2](#) [ICE2PCS06GXUMA1](#) [PFS7624C-TL](#)  
[TDA48632GXUMA2](#) [UCC29910APWR](#) [DCRG8](#) [UCC2818AQDRQ1](#) [L6561D013TR](#) [L6566B](#) [ICE3PCS03G](#) [AL1788W6-7](#)  
[LT1249CN8#PBF](#) [NCP1616A1DR2G](#) [LT1509CN#PBF](#) [BR6000-R12](#) [ICE3PCS02GXUMA1](#) [DCRL5](#) [B44066R6012E230](#)  
[ICE2PCS01GXUMA1](#) [ADP1048ARQZ-R7](#) [LT1249IS8#PBF](#) [LT1249CS8#PBF](#) [FAN6920MRMY](#) [FAN4801SMY](#) [AL6562AS-13](#)  
[ICE1PCS01G](#) [NCP1652DR2G](#) [ICE2PCS05GXUMA1](#) [ICE2PCS01G](#) [ICE2PCS06G](#) [ICE3PCS01G](#) [ICE3PCS01GXUMA1](#) [TDA4863](#)  
[TDA4863-2](#) [TDA4863-2G](#) [XDPL8210XUMA1](#) [ISL6730AFUZ](#) [AP1682EMTR-G1](#) [ISL6731BFBZ](#) [NCP1615A1DR2G](#) [NCP1605DR2G](#)  
[LT1509CSW#PBF](#) [IRS2505LTRPBF](#) [TEA1761T/N2/DG,118](#) [TEA1762T/N2/DG,118](#)