



Is Now Part of



ON Semiconductor®

To learn more about ON Semiconductor, please visit our website at
www.onsemi.com

Please note: As part of the Fairchild Semiconductor integration, some of the Fairchild orderable part numbers will need to change in order to meet ON Semiconductor's system requirements. Since the ON Semiconductor product management systems do not have the ability to manage part nomenclature that utilizes an underscore (_), the underscore (_) in the Fairchild part numbers will be changed to a dash (-). This document may contain device numbers with an underscore (_). Please check the ON Semiconductor website to verify the updated device numbers. The most current and up-to-date ordering information can be found at www.onsemi.com. Please email any questions regarding the system integration to Fairchild_questions@onsemi.com.

ON Semiconductor and the ON Semiconductor logo are trademarks of Semiconductor Components Industries, LLC dba ON Semiconductor or its subsidiaries in the United States and/or other countries. ON Semiconductor owns the rights to a number of patents, trademarks, copyrights, trade secrets, and other intellectual property. A listing of ON Semiconductor's product/patent coverage may be accessed at www.onsemi.com/site/pdf/Patent-Marking.pdf. ON Semiconductor reserves the right to make changes without further notice to any products herein. ON Semiconductor makes no warranty, representation or guarantee regarding the suitability of its products for any particular purpose, nor does ON Semiconductor assume any liability arising out of the application or use of any product or circuit, and specifically disclaims any and all liability, including without limitation special, consequential or incidental damages. Buyer is responsible for its products and applications using ON Semiconductor products, including compliance with all laws, regulations and safety requirements or standards, regardless of any support or applications information provided by ON Semiconductor. "Typical" parameters which may be provided in ON Semiconductor data sheets and/or specifications can and do vary in different applications and actual performance may vary over time. All operating parameters, including "Typicals" must be validated for each customer application by customer's technical experts. ON Semiconductor does not convey any license under its patent rights nor the rights of others. ON Semiconductor products are not designed, intended, or authorized for use as a critical component in life support systems or any FDA Class 3 medical devices or medical devices with a same or similar classification in a foreign jurisdiction or any devices intended for implantation in the human body. Should Buyer purchase or use ON Semiconductor products for any such unintended or unauthorized application, Buyer shall indemnify and hold ON Semiconductor and its officers, employees, subsidiaries, affiliates, and distributors harmless against all claims, costs, damages, and expenses, and reasonable attorney fees arising out of, directly or indirectly, any claim of personal injury or death associated with such unintended or unauthorized use, even if such claim alleges that ON Semiconductor was negligent regarding the design or manufacture of the part. ON Semiconductor is an Equal Opportunity/Affirmative Action Employer. This literature is subject to all applicable copyright laws and is not for resale in any manner.



FAN6240

Secondary-Side Synchronous Rectifier Controller for Flyback Converters

Features

- Works in Discontinuous Conduction Mode (DCM).
- Adaptive Turn-off Trigger Blanking Time for easier use
- Turn-on Trigger Blanking Time (Minimum-OFF Time) for Improved Noise Immunity
- Supports High-Frequency Applications up to 200 kHz
- Minimum Turn-on Delay (20 ns)
- Adaptive Turn-off Threshold Control for Minimized SR MOSFET Body Diode Conduction (Dead-Time is independent of SR MOSFET)
- Wide Voltage Range for LDO Input up to 30 V
- Small Footprint: SOT-23 6 Pin Package

Description

The FAN6240M6X is a secondary-side synchronous rectifier (SR) controller for an isolated flyback converter operating in Discontinuous Conduction Mode (DCM). The adaptive dead-time control algorithm minimizes the body diode conduction of SR MOSFET while guaranteeing stable and robust SR operation against noise and disturbance caused by the circuit parasitic. 30 V rated input voltage LDO and Low VDD Under-Voltage Lockout (UVLO) voltage allow FAN6240M6X to be used for wide ranges of switched mode power supply output voltage without additional circuit.

Applications

- Battery Chargers for Smart Phones, Feature Phones, and Tablet PCs
- AC-DC Adapters for Portable Devices that Require CV/CC Control

Ordering Information

Part Number	Operating Temperature Range	Package	Packing Method
FAN6240M6X	-40°C to +125°C	6-Lead, SOT23, JEDEC MO-178 Variation AB, 1.6 mm Wide	Tape & Reel

Application Diagram

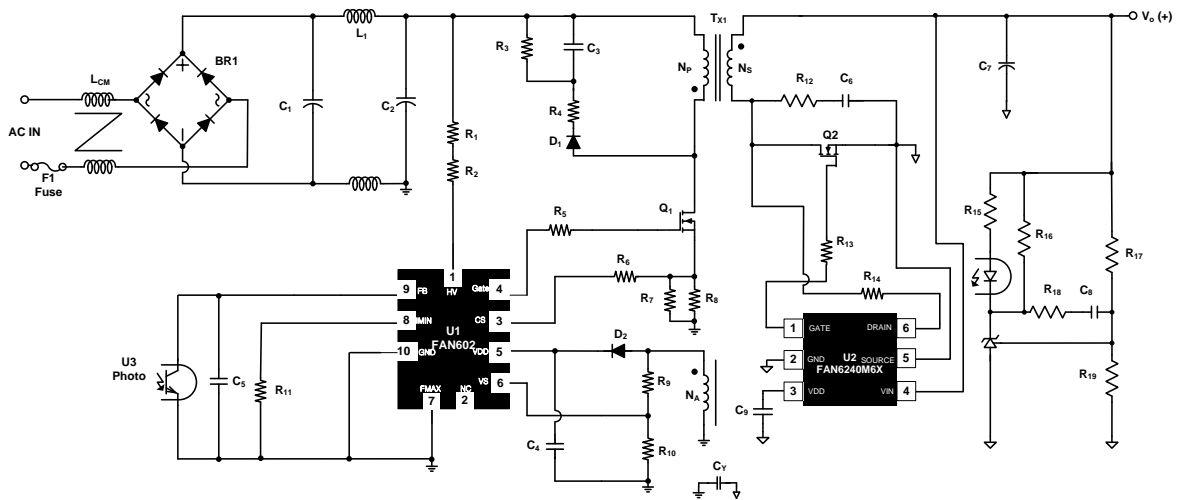


Figure 1. Typical Application

Internal Block Diagram

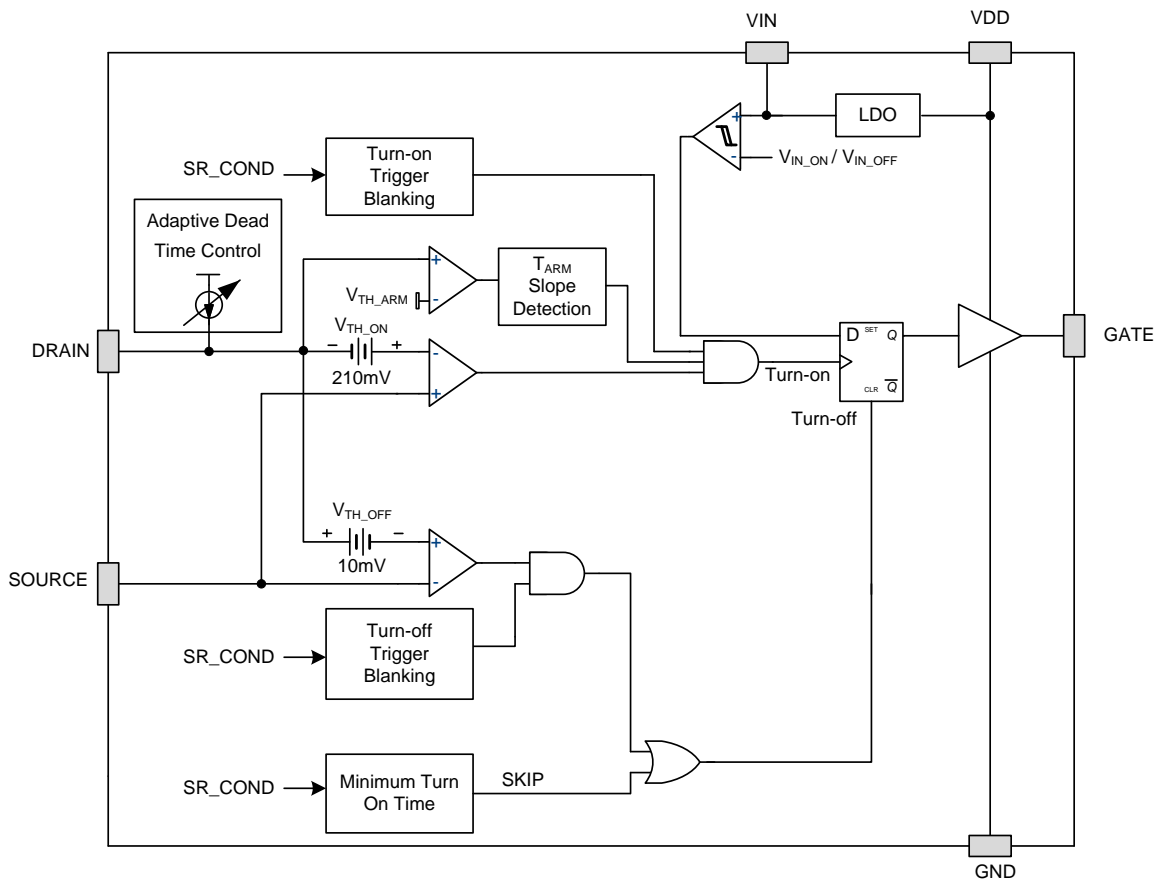


Figure 2. Function Block Diagram

Marking Information

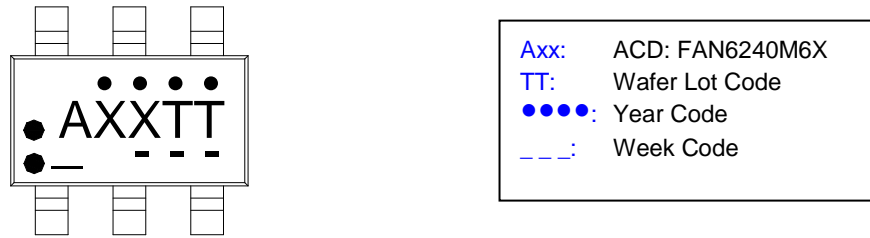


Figure 3. Top Mark

Pin Configuration

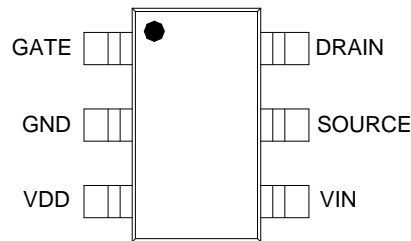


Figure 4. Pin Configuration

Pin Definitions

Pin #	Name	Description
1	GATE	Gate drive output
2	GND	Ground
3	VDD	Internal regulator 5 V output and gate drive power supply rail. Bypass with 1uF capacitor to GND.
4	VIN	LDO input, supports up to 30 V operation. An integrated 5 V LDO generates the internal VDD power supply rail for the low-voltage control circuitry.
5	SOURCE	Synchronous rectifier source sense input.
6	DRAIN	Synchronous rectifier drain sense input.

Absolute Maximum Ratings

Stresses exceeding the absolute maximum ratings may damage the device. The device may not function or be operable above the recommended operating conditions and stressing the parts to these levels is not recommended. In addition, extended exposure to stresses above the recommended operating conditions may affect device reliability. The absolute maximum ratings are stress ratings only.

Symbol	Parameter	Min.	Max.	Unit
V _{IN}	Power Supply Input Pin Voltage	-0.3	30	V
V _{DD}	Internal Regulator Output Pin Voltage	-0.3	6.5	V
V _{DRAIN}	Drain Sense Input Pin Voltage	-1	100	V
V _{GATE}	Gate Drive Output Pin Voltage	-0.3	6.5	V
V _{SOURCE}	Source Sense Input Pin Voltage	-1	1	V
P _D	Power Dissipation (T _A =25°C)		23	mW
Θ _{JA}	Thermal Resistance (Junction-to-Ambient Thermal)		235	°C/W
T _J	Operating Junction Temperature	-40	150	°C
T _{STG}	Storage Temperature Range	-60	150	°C
T _L	Lead Temperature (Soldering) 10 Seconds		260	°C
ESD	Electrostatic Discharge Capability	Human Body Model, ANSI / ESDA / JEDEC JS-001-2012		kV
		Charged Device Model, JESD22-C101		

Notes:

1. Stresses beyond those listed under Absolute Maximum Ratings may cause permanent damage to the device.
2. All voltage values are with respect to the GND pin.

Recommended Operating Conditions

The Recommended Operating Conditions table defines the conditions for actual device operation. Recommended operating conditions are specified to ensure optimal performance. Fairchild does not recommend exceeding them or designing to Absolute Maximum Ratings.

Symbol	Parameter	Min.	Typ.	Max.	Unit
V _{IN}	Power Supply Input Pin Voltage	2.8		20	V
V _{DD}	Internal Regulator Output Pin Voltage	2.8		6	V
V _{DRAIN}	Drain Sense Input Pin Voltage	-0.3		100	V
V _{GATE}	Gate Drive Output Pin Voltage	-0.3		6	V
V _{SOURCE}	Source Sense Input Pin Voltage	-0.3		1	V

Electrical Characteristics

$V_{IN} = 12\text{ V}$ and $T_J = -40^\circ\text{C}$ to 125°C unless otherwise specified.

Symbol	Parameter	Conditions	Min.	Typ.	Max.	Unit
Input Voltage						
V_{IN_ON}	Turn-On Threshold	V_{IN} Rising	3.1	3.4	3.7	V
V_{IN_OFF}	Turn-Off Threshold	V_{IN} Falling	2.8	2.9	3.0	V
I_{IN_OP}	Operating Current	$f_{SW} = 100\text{ kHz}$, $C_{GATE} = 3.3\text{ nF}$, $V_{IN} = 5\text{ V}$		2	3.5	mA
Power Supply Section						
V_{DD}	Internal LDO Output Voltage	$V_{IN} = 20\text{ V}$	5.00	5.25	5.50	V
Drain Voltage Sensing Section						
I_{OFFSET}		Maximum of adaptive offset current (15 steps, 6 μA resolution)	75	90	105	μA
V_{TH_ON}	Turn-On Threshold	$R_{DRAIN} = 0\ \Omega$ (includes comparator input offset voltage)	-235	-210	-185	mV
$T_{ON_DLY}^{(3)}$	Turn-On Delay			20		ns
$V_{TH_OFF}^{(3)}$	Turn-Off Threshold			10		mV
$T_{OFF_DLY}^{(3)}$	Turn-Off Delay			20		ns
V_{TH_ARM}	Gate Re-arming Threshold	$V_{IN} = 5\text{ V}$, (Typically $0.7 \cdot V_{DD}$)	3.3	3.5	3.7	V
$T_{ARM}^{(3)}$	Gate Re-arming Time for Slope Detection			85		ns
$V_{TH_HGH}^{(3)}$	SR OFF Detection Threshold			0.5		V
Minimum On-Time and Minimum Off-Time						
$K_{TON}^{(3)}$	Adaptive Minimum On-Time Ratio	Ratio between minimum on time and SR conduction of previous switching cycle		50		%
$t_{ON_MIN_LL}$	Minimum On-Time Lower Limit		300	400	500	ns
$t_{ON_MIN_UL}^{(3)}$	Minimum On-Time Upper Limit			2		μs
t_{OFF_MIN}	Minimum Off-Time	Default Option for Medium Frequency	1.0	1.2	1.4	μs
Output Driver Section						
V_{OL}	Output Voltage Low	$V_{IN} = 6\text{ V}$			0.25	V
V_{OH}	Output Voltage High	$V_{IN} = 6\text{ V}$	5.0			V
t_R	Rise Time	$V_{IN} = 6\text{ V}$, $C_L = 3300\text{ pF}$, $GATE = 1\text{ V} \sim 4\text{ V}$			10	ns
t_F	Fall Time	$V_{IN} = 6\text{ V}$, $C_L = 3300\text{ pF}$, $GATE = 4\text{ V} \sim 1\text{ V}$			10	ns
Adaptive Dead-Time Control						
$t_{DEAD}^{(3)}$	Dead-Time Self-Tuning Target	From GATE OFF to V_{DRAIN} rising above V_{TH_HGH}		290		ns

Note:

3. Not tested and guaranteed by design.

Functional Description

Theory of SR Control Operation

For an ideal circuit operation, the SR control algorithm of FAN6240 is very straightforward. FAN6240 controls the SR MOSFET based on the instantaneous drain-to-source voltage as illustrated in Figure 5. When the body diode starts conducting, the drain-to-source voltage drops below the turn-on threshold (V_{TH_ON}) which triggers the turn-on of the gate. Then the drain-to-source voltage is determined by the product of $R_{DS(ON)}$ and instantaneous SR current. When the drain-to-source voltage reaches the turn-off threshold (V_{TH_OFF}) as SR MOSFET current decreases to near zero, FAN6240 turns off the gate. If the turn off threshold (V_{TH_OFF}) is very close to zero, the turn off dead time can be minimized.

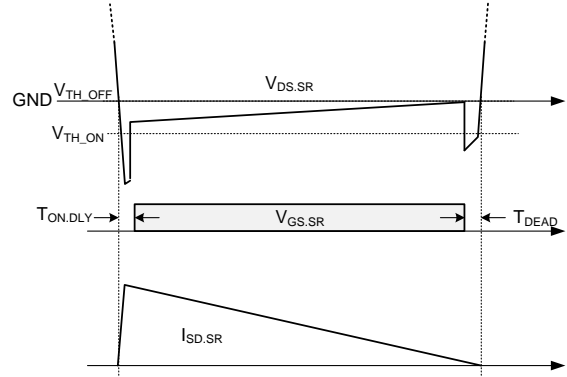


Figure 5. SR MOSFET Operation Waveforms (Ideal Case)

SR Turn-On Algorithm

As the diagram shown in Figure 6, the turn-on of SR GATE is triggered by the three input signals of AND gate. The first input signal is TURN_ON_ALLOW signal, which is given after t_{OFF_MIN} from the falling edge of $V_{GS,SR}$ signal. The second input is the TURN_ON_TRG signal, which is enabled after DRAIN pin voltage drops below V_{TH_ON} . The third signal is T_{ARM} which allows turn-on trigger only when SR drain voltage drops fast with a large slope, preventing SR from triggering by the drain resonance voltage in DCM operation.

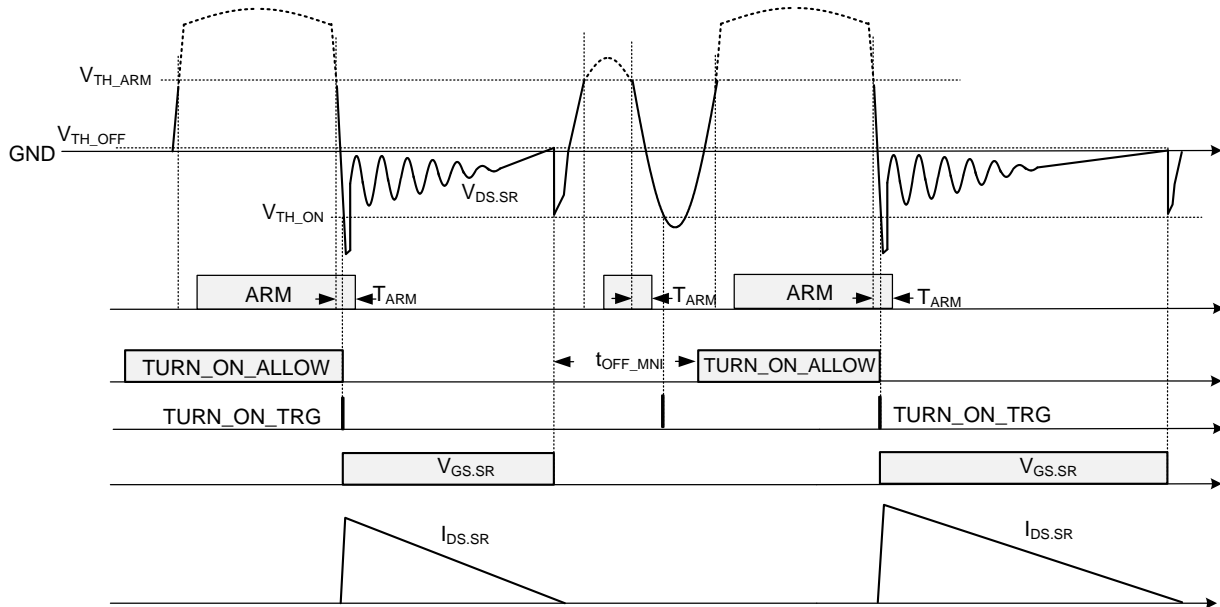


Figure 6. SR Turn-On Algorithm

SR Turn-Off Algorithm

As diagram shown in Figure 7, the turn-off of SR GATE is triggered by the two input signals of AND gate. The first input signal is turn off signal, which is enabled when $V_{DS,SR} > V_{TH,OFF}$. The second input is TURN_OFF_ALLOW signal given from the adaptive turn-off blanking. The blanking time is adaptively determined as half of SR conduction time (SR_COND) of the previous switching cycle for better noise immunity.

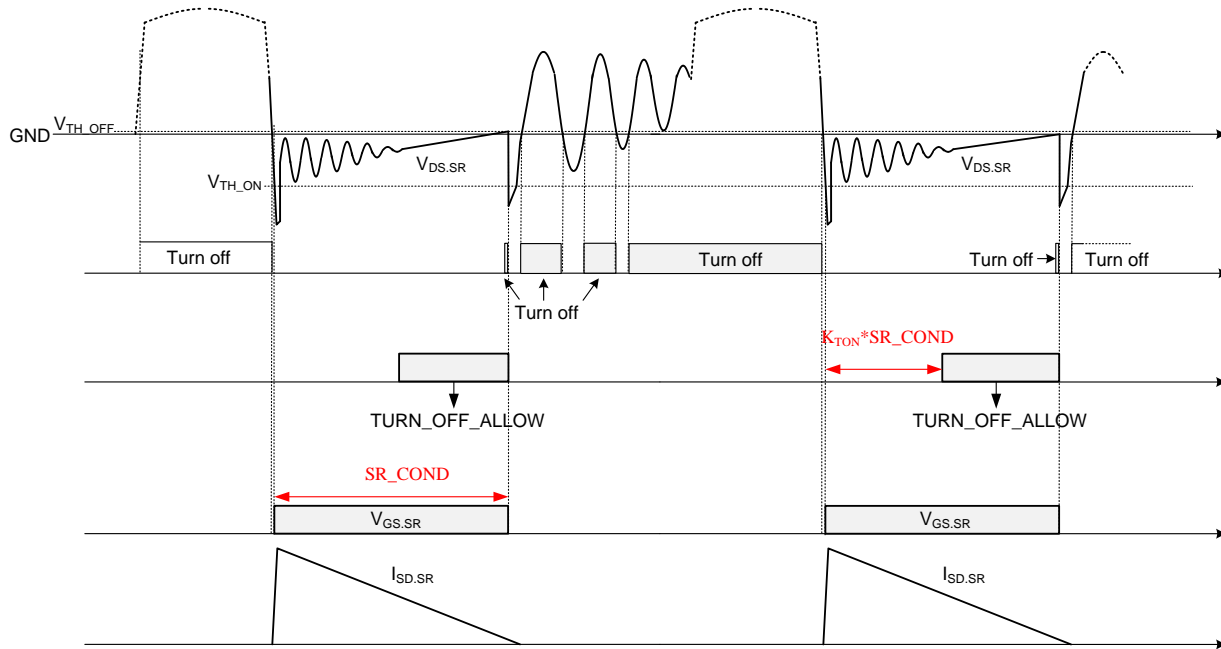


Figure 7. SR Turn-Off Algorithm

SR Skipping Mode Algorithm

As diagram shown in Figure 8, FAN6240 disables SR gate signal (SR skipping) at next cycle when previous cycle SR conduction time $V_{GS,SR}$ signal is smaller than the minimum ON time $t_{ON,MIN,LL}$ in order reduce power consumption. This operation occurs only when the burst mode entry level of the primary side PWM controller is extremely low.

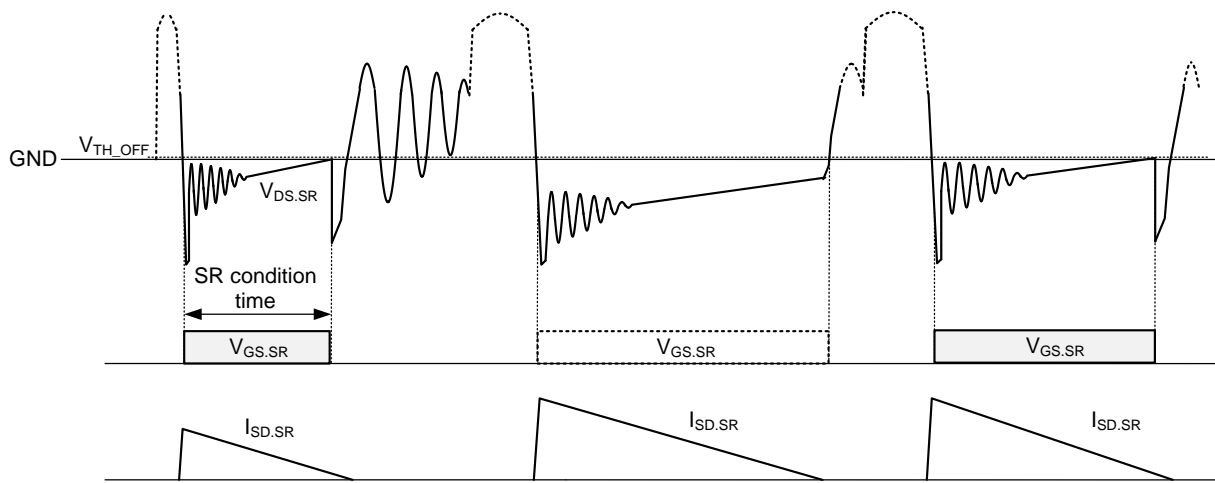
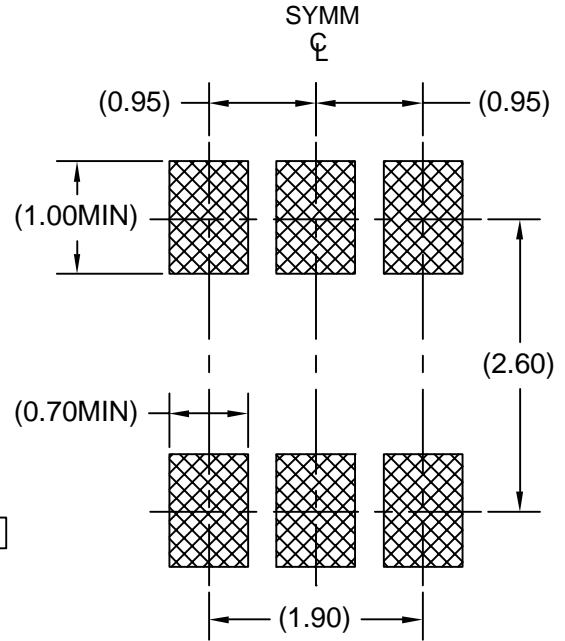
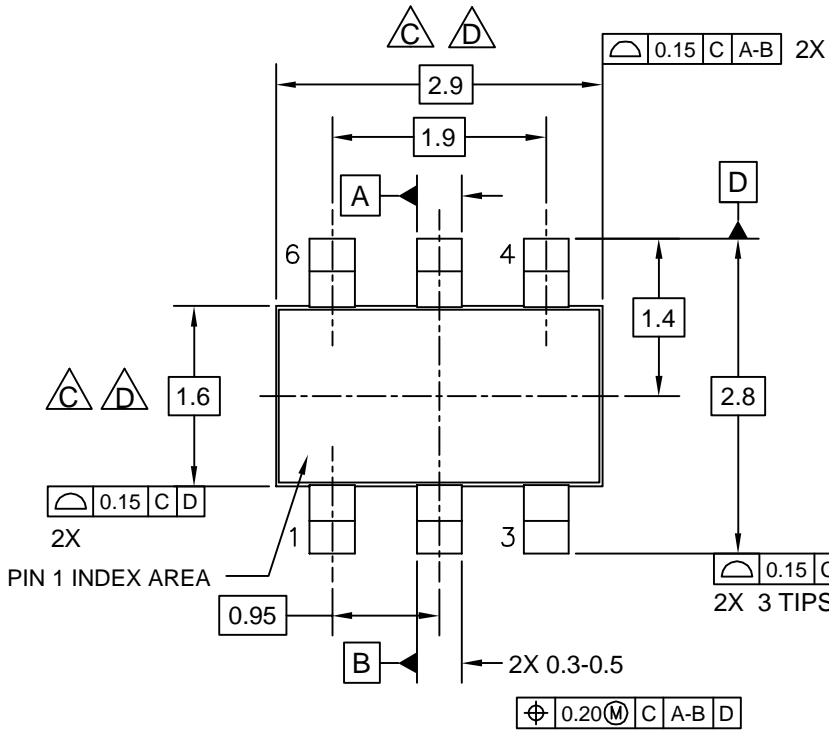
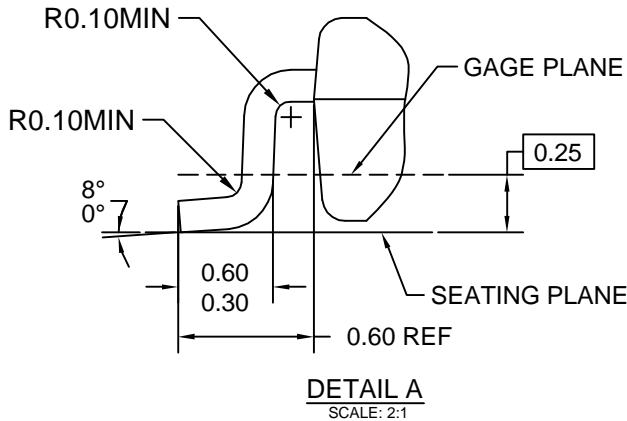
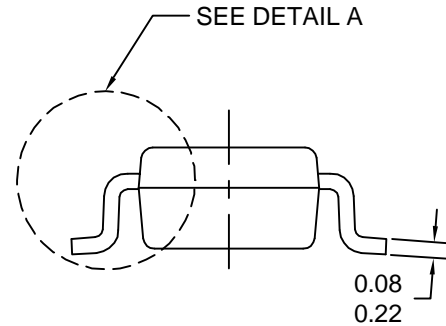
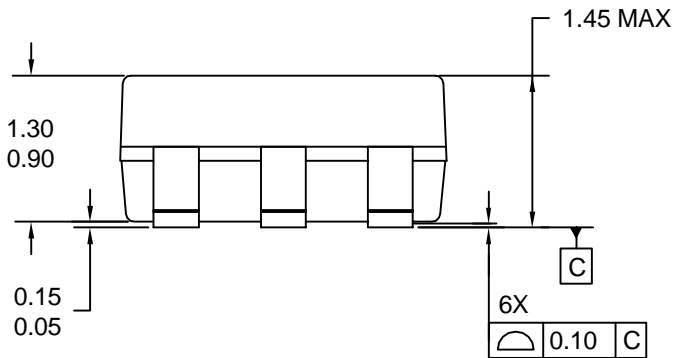


Figure 8. SR Skipping Diagram

REVISIONS				
LTR	DESCRIPTION	E.C.N.	DATE	BY/APPD
A	RELEASE TO DOCUMENT CONTROL	ECN-MKT-MA06E	11/4/2006	H.ALLEN
2	DWG UPDATED TO CONFORM TO MO178		5 JULY 07	L.HUEBENER



LAND PATTERN RECOMMENDATION



NOTES:

- A. THIS PACKAGE CONFORMS TO JEDEC MO-178, VARIATION AB.
- B. ALL DIMENSIONS ARE IN MILLIMETERS.
- C. DOES NOT INCLUDE MOLD FLASH, PROTRUSIONS OR GATE BURRS.
- D. DOES NOT INCLUDE INTERLEAD FLASH OR PROTRUSIONS.
- E. DIMENSIONS AND TOLERANCING AS PER ASME Y14.5M-1994
- F. DRAWING FILE NAME: MA06EREV2

APPROVALS	DATE	
DRAWN: L.HUEBENER	5 JULY 07	
CHECKED: H.ALLEN	17 JULY 07	
APPROVED:		
6LD,SOT23,JEDEC MO-178 VARIATION AB, 1.6MM WIDE		
		SCALE: 1:1 SIZE: NA DRAWING NUMBER: MKT-MA06E FORMERLY: N/A
		REV: 2 SHEET: 1 OF 1

ON Semiconductor and  are trademarks of Semiconductor Components Industries, LLC dba ON Semiconductor or its subsidiaries in the United States and/or other countries. ON Semiconductor owns the rights to a number of patents, trademarks, copyrights, trade secrets, and other intellectual property. A listing of ON Semiconductor's product/patent coverage may be accessed at www.onsemi.com/site/pdf/Patent-Marking.pdf. ON Semiconductor reserves the right to make changes without further notice to any products herein. ON Semiconductor makes no warranty, representation or guarantee regarding the suitability of its products for any particular purpose, nor does ON Semiconductor assume any liability arising out of the application or use of any product or circuit, and specifically disclaims any and all liability, including without limitation special, consequential or incidental damages. Buyer is responsible for its products and applications using ON Semiconductor products, including compliance with all laws, regulations and safety requirements or standards, regardless of any support or applications information provided by ON Semiconductor. "Typical" parameters which may be provided in ON Semiconductor data sheets and/or specifications can and do vary in different applications and actual performance may vary over time. All operating parameters, including "Typicals" must be validated for each customer application by customer's technical experts. ON Semiconductor does not convey any license under its patent rights nor the rights of others. ON Semiconductor products are not designed, intended, or authorized for use as a critical component in life support systems or any FDA Class 3 medical devices or medical devices with a same or similar classification in a foreign jurisdiction or any devices intended for implantation in the human body. Should Buyer purchase or use ON Semiconductor products for any such unintended or unauthorized application, Buyer shall indemnify and hold ON Semiconductor and its officers, employees, subsidiaries, affiliates, and distributors harmless against all claims, costs, damages, and expenses, and reasonable attorney fees arising out of, directly or indirectly, any claim of personal injury or death associated with such unintended or unauthorized use, even if such claim alleges that ON Semiconductor was negligent regarding the design or manufacture of the part. ON Semiconductor is an Equal Opportunity/Affirmative Action Employer. This literature is subject to all applicable copyright laws and is not for resale in any manner.

PUBLICATION ORDERING INFORMATION

LITERATURE FULFILLMENT:

Literature Distribution Center for ON Semiconductor
19521 E. 32nd Pkwy, Aurora, Colorado 80011 USA
Phone: 303-675-2175 or 800-344-3860 Toll Free USA/Canada
Fax: 303-675-2176 or 800-344-3867 Toll Free USA/Canada
Email: orderlit@onsemi.com

N. American Technical Support: 800-282-9855 Toll Free
USA/Canada
Europe, Middle East and Africa Technical Support:
Phone: 421 33 790 2910
Japan Customer Focus Center
Phone: 81-3-5817-1050

ON Semiconductor Website: www.onsemi.com
Order Literature: <http://www.onsemi.com/orderlit>
For additional information, please contact your local
Sales Representative

X-ON Electronics

Largest Supplier of Electrical and Electronic Components

Click to view similar products for [Switching Controllers](#) category:

Click to view products by [ON Semiconductor](#) manufacturer:

Other Similar products are found below :

[AZ7500EP-E1](#) [NCP1218AD65R2G](#) [NCP1234AD100R2G](#) [NCP1244BD065R2G](#) [NCP1336ADR2G](#) [NCP6153MNTWG](#) [NCP81101BMNTXG](#)
[NCP81205MNTXG](#) [SJE6600](#) [SMBV1061LT1G](#) [SG3845DM](#) [NCP4204MNTXG](#) [NCP6132AMNR2G](#) [NCP81102MNTXG](#)
[NCP81203MNTXG](#) [NCP81206MNTXG](#) [NX2155HCUPTR](#) [UBA2051C](#) [MAX8778ETJ+](#) [NTBV30N20T4G](#) [NCP1240AD065R2G](#)
[NCP1240FD065R2G](#) [NCP1361BABAYSNT1G](#) [NTC6600NF](#) [NCP1230P100G](#) [NCP1612BDR2G](#) [NX2124CSTR](#) [SG2845M](#)
[NCP81101MNTXG](#) [TEA19362T/1J](#) [IFX81481ELV](#) [NCP81174NMNTXG](#) [NCP4308DMTTWG](#) [NCP4308DMNTWG](#) [NCP4308AMTTWG](#)
[NCP1251FSN65T1G](#) [NCP1246BLD065R2G](#) [NTE7154](#) [NTE7242](#) [LTC7852IUFD-1#PBF](#) [LTC7852EUFD-1#PBF](#) [MB39A136PFT-G-BND-ERE1](#) [NCP1256BSN100T1G](#) [LV5768V-A-TLM-E](#) [NCP1365BABCYDR2G](#) [NCP1365AABCYDR2G](#) [MCP1633T-E/MG](#) [NCV1397ADR2G](#)
[NCP1246ALD065R2G](#) [AZ494AP-E1](#)