



Is Now Part of



ON Semiconductor®

To learn more about ON Semiconductor, please visit our website at
www.onsemi.com

Please note: As part of the Fairchild Semiconductor integration, some of the Fairchild orderable part numbers will need to change in order to meet ON Semiconductor's system requirements. Since the ON Semiconductor product management systems do not have the ability to manage part nomenclature that utilizes an underscore (_), the underscore (_) in the Fairchild part numbers will be changed to a dash (-). This document may contain device numbers with an underscore (_). Please check the ON Semiconductor website to verify the updated device numbers. The most current and up-to-date ordering information can be found at www.onsemi.com. Please email any questions regarding the system integration to Fairchild_questions@onsemi.com.

ON Semiconductor and the ON Semiconductor logo are trademarks of Semiconductor Components Industries, LLC dba ON Semiconductor or its subsidiaries in the United States and/or other countries. ON Semiconductor owns the rights to a number of patents, trademarks, copyrights, trade secrets, and other intellectual property. A listing of ON Semiconductor's product/patent coverage may be accessed at www.onsemi.com/site/pdf/Patent-Marking.pdf. ON Semiconductor reserves the right to make changes without further notice to any products herein. ON Semiconductor makes no warranty, representation or guarantee regarding the suitability of its products for any particular purpose, nor does ON Semiconductor assume any liability arising out of the application or use of any product or circuit, and specifically disclaims any and all liability, including without limitation special, consequential or incidental damages. Buyer is responsible for its products and applications using ON Semiconductor products, including compliance with all laws, regulations and safety requirements or standards, regardless of any support or applications information provided by ON Semiconductor. "Typical" parameters which may be provided in ON Semiconductor data sheets and/or specifications can and do vary in different applications and actual performance may vary over time. All operating parameters, including "Typicals" must be validated for each customer application by customer's technical experts. ON Semiconductor does not convey any license under its patent rights nor the rights of others. ON Semiconductor products are not designed, intended, or authorized for use as a critical component in life support systems or any FDA Class 3 medical devices or medical devices with a same or similar classification in a foreign jurisdiction or any devices intended for implantation in the human body. Should Buyer purchase or use ON Semiconductor products for any such unintended or unauthorized application, Buyer shall indemnify and hold ON Semiconductor and its officers, employees, subsidiaries, affiliates, and distributors harmless against all claims, costs, damages, and expenses, and reasonable attorney fees arising out of, directly or indirectly, any claim of personal injury or death associated with such unintended or unauthorized use, even if such claim alleges that ON Semiconductor was negligent regarding the design or manufacture of the part. ON Semiconductor is an Equal Opportunity/Affirmative Action Employer. This literature is subject to all applicable copyright laws and is not for resale in any manner.

FAN7390A

High-Current, High & Low-Side, Gate-Drive IC

Features

- Floating Channels for Bootstrap Operation to +600 V
- Typically 4.5 A / 4.5 A Sourcing / Sinking Current Driving Capability
- Common-Mode dv/dt Noise-Canceling Circuit
- Built-in Under-Voltage Lockout for Both Channels
- Matched Propagation Delay for Both Channels
- Logic (V_{SS}) and Power (COM) Ground $\pm 5V$ Offset
- 3.3 V and 5 V Input Logic Compatible
- Output In-phase with Input

Applications

- Plasma Display Panel (PDP) Sustain Driver
- High Intensity Discharge (HID) Lamp Ballast
- SMPS
- Motor Driver

Description

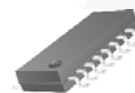
The FAN7390A is a monolithic high- and low-side gate-drive IC, which can drive high-speed MOSFETs and IGBTs that operate up to +600 V. It has a buffered output stage with all NMOS transistors designed for high pulse current driving capability and minimum cross-conduction.

Fairchild's high-voltage process and common-mode noise canceling techniques provide stable operation of the high-side driver under high-dv/dt noise circumstances. An advanced level-shift circuit offers high-side gate driver operation up to $V_S = -9.8 V$ (typical) for $V_{BS} = 15 V$.

The UVLO circuit prevents malfunction when V_{DD} and V_{BS} are lower than the specified threshold voltage.

The high-current and low-output voltage-drop feature make this device suitable for the PDP sustain pulse driver, motor driver, switching power supply, and high-power DC-DC converter applications.

14-SOP



Ordering Information

| Part Number | Package | Operating Temperature Range | Packing Method |
|-------------|---------|-----------------------------|----------------|
| FAN7390AMX1 | 14-SOP | -40°C ~ 125°C | Tape & Reel |



Typical Application Circuit

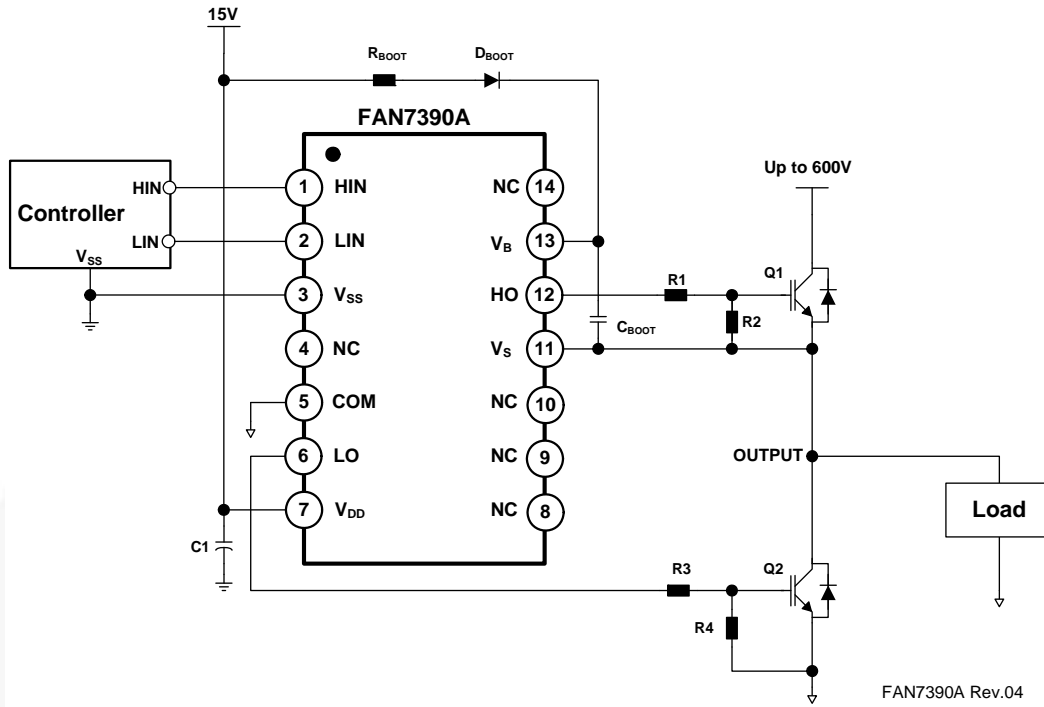


Figure 1. Application Circuit for Half-Bridge (Referenced 14-SOP)

Internal Block Diagram

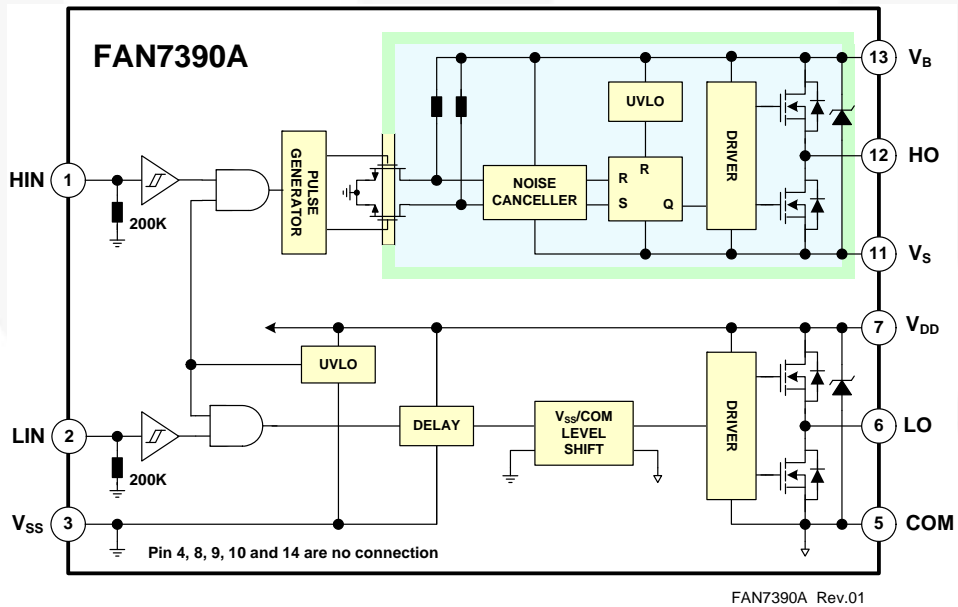


Figure 2. Functional Block Diagram (Referenced 14-SOP)

Pin Configurations

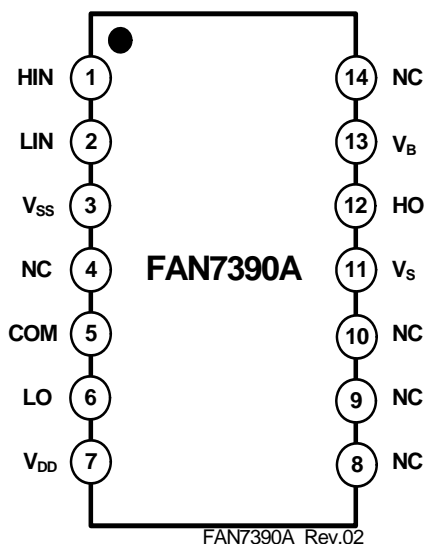


Figure 3. Pin Assignments (Top View)

Pin Definitions

| 14-Pin | Name | Description |
|-----------------|-----------------|--|
| 1 | HIN | Logic Input for High-Side Gate Driver Output |
| 2 | LIN | Logic Input for Low-Side Gate Driver Output |
| 3 | V _{SS} | Logic Ground |
| 5 | COM | Low-Side Driver Return |
| 6 | LO | Low-Side Driver Output |
| 7 | V _{DD} | Low-Side and Logic Part Supply Voltage |
| 11 | V _S | High-Voltage Floating Supply Return |
| 12 | HO | High-Side Driver Output |
| 13 | V _B | High-Side Floating Supply |
| 4, 8, 9, 10, 14 | NC | No Connect |

Absolute Maximum Ratings

Stresses exceeding the absolute maximum ratings may damage the device. The device may not function or be operable above the recommended operating conditions and stressing the parts to these levels is not recommended. In addition, extended exposure to stresses above the recommended operating conditions may affect device reliability. The absolute maximum ratings are stress ratings only. $T_A=25^{\circ}\text{C}$, unless otherwise specified.

| Symbol | Characteristics | Min. | Max. | Unit |
|-------------------|---|-------------------|----------------|-----------------------------|
| V_S | High-Side Floating Supply Offset Voltage | $V_B - V_{SHUNT}$ | $V_B + 0.3$ | V |
| V_B | High-Side Floating Supply Voltage | -0.3 | 625.0 | V |
| V_{HO} | High-Side Floating Output Voltage, HO Pin | $V_S - 0.3$ | $V_B + 0.3$ | V |
| V_{DD} | Low-Side and Logic Fixed Supply Voltage | -0.3 | V_{SHUNT} | V |
| V_{LO} | Low-Side Output Voltage, LO Pin | -0.3 | $V_{DD} + 0.3$ | V |
| V_{IN} | Logic Input Voltage (HIN and LIN) | $V_{SS} - 0.3$ | $V_{DD} + 0.3$ | V |
| V_{SS} | Logic Ground | $V_{DD} - 25$ | $V_{DD} + 0.3$ | V |
| dV_S/dt | Allowable Offset Voltage Slew Rate | | 50 | V/ns |
| $P_D^{(1)(2)(3)}$ | Power Dissipation | | 1.0 | W |
| θ_{JA} | Thermal Resistance, Junction-to-Ambient | | 110 | $^{\circ}\text{C}/\text{W}$ |
| T_J | Junction Temperature | | +150 | $^{\circ}\text{C}$ |
| T_{STG} | Storage Temperature | | +150 | $^{\circ}\text{C}$ |

Notes:

- Mounted on 76.2 x 114.3 x 1.6 mm PCB (FR-4 glass epoxy material).
- Refer to the following standards:
 - JESD51-2: Integral circuits thermal test method environmental conditions - natural convection; and
 - JESD51-3: Low effective thermal conductivity test board for leaded surface mount packages.
- Do not exceed P_D maximum under any circumstances.

Recommended Operating Conditions

The Recommended Operating Conditions table defines the conditions for actual device operation. Recommended operating conditions are specified to ensure optimal performance to the datasheet specifications. Fairchild does not recommend exceeding them or designing to absolute maximum ratings.

| Symbol | Parameter | Min. | Max. | Unit |
|----------|--|--------------|------------|--------------------|
| V_B | High-Side Floating Supply Voltage | $V_S + 10$ | $V_S + 20$ | V |
| V_S | High-Side Floating Supply Offset Voltage | $6 - V_{DD}$ | 600 | V |
| V_{HO} | High-Side Output Voltage | V_S | V_B | V |
| V_{DD} | Low-Side and Logic Supply Voltage | 10 | 20 | V |
| V_{LO} | Low-Side Output Voltage | COM | V_{DD} | V |
| V_{IN} | Logic Input Voltage (HIN and LIN) | V_{SS} | V_{DD} | V |
| T_A | Operating Ambient Temperature | -40 | +125 | $^{\circ}\text{C}$ |

Electrical Characteristics

V_{BIAS} (V_{DD} , V_{BS})=15.0 V, $V_S=V_{SS}=COM$, $T_A=25^\circ C$, unless otherwise specified. The V_{IL} , V_{IH} , and I_{IN} parameters are referenced to V_{SS}/COM and are applicable to the respective input signals HIN and LIN. The V_O and I_O parameters are referenced to COM and V_S is applicable to the respective output signals HO and LO.

| Symbol | Characteristics | Condition | Min. | Typ. | Max. | Unit |
|---|---|--|------|------|------|------------|
| POWER SUPPLY SECTION (V_{DD} AND V_{BS}) | | | | | | |
| V_{DDUV+} V_{BSUV+} | V_{DD} and V_{BS} Supply Under-Voltage Positive-Going Threshold | | 8.0 | 8.8 | 9.8 | V |
| V_{DDUV-} V_{BSUV-} | V_{DD} and V_{BS} Supply Under-Voltage Negative-Going Threshold | | 7.4 | 8.3 | 9.0 | |
| V_{DDUVH} V_{BSUVH} | V_{DD} and V_{BS} Supply Under-Voltage Lockout Hysteresis Voltage | | | 0.5 | | |
| I_{LK} | Offset Supply Leakage Current | $V_B=V_S=600$ V | | | 50 | μA |
| I_{QBS} | Quiescent V_{BS} Supply Current | $V_{IN}=0$ V or 5 V | | 45 | 80 | |
| I_{QDD} | Quiescent V_{DD} Supply Current | $V_{IN}=0$ V or 5 V | | 75 | 110 | |
| I_{PBS} | Operating V_{BS} Supply Current | $f_{IN}=20$ kHz, rms value | | 530 | 640 | μA |
| I_{PDD} | Operating V_{DD} Supply Current | $f_{IN}=20$ kHz, rms value | | 530 | 640 | |
| SHUNT REGULATOR SECTION | | | | | | |
| V_{SHUNT} | V_{DD} and V_{BS} Shunt Regulator Clamping Voltage | $V_{DD}=\text{Sweep}$ or $V_{BS}=\text{Sweep}$, $I_{SHUNT}=5$ mA | 21 | 23 | 25 | V |
| LOGIC INPUT SECTION (HIN, LIN) | | | | | | |
| V_{IH} | Logic "1" Input Voltage | | 2.5 | | | V |
| V_{IL} | Logic "0" Input Voltage | | | | 1.2 | |
| I_{IN+} | Logic "1" Input Bias Current | $V_{IN}=5$ V | | 25 | 50 | μA |
| I_{IN-} | Logic "0" Input Bias Current | $V_{IN}=0$ V | | 1.0 | 2.0 | |
| R_{IN} | Input Pull-down Resistance | | 100 | 200 | | K Ω |
| GATE DRIVER OUTPUT SECTION (HO, LO) | | | | | | |
| V_{OH} | High-Level Output Voltage, $V_{BIAS}-V_O$ | No Load | | | 1.0 | V |
| V_{OL} | Low-Level Output Voltage, V_O | No Load | | | 35 | mV |
| I_{O+} | Output High, Short-Circuit Pulsed Current ⁽⁴⁾ | $V_O=0$ V, $V_{IN}=5$ V, $PW<10$ μs | 3.5 | 4.5 | | A |
| I_{O-} | Output Low, Short-Circuit Pulsed Current ⁽⁴⁾ | $V_O=15$ V, $V_{IN}=0$ V, $PW<10$ μs | 3.5 | 4.5 | | |
| V_S | Allowable Negative V_S Pin Voltage for HIN Signal Propagation to HO | | | -9.8 | -7.0 | V |
| V_{SS-COM} | $V_{SS}-COM/COM-V_{SS}$ Voltage Endurability | | -5 | | 5 | V |

Note:

4. This parameter guaranteed by design.

Dynamic Electrical Characteristics

V_{BIAS} (V_{DD} , V_{BS})=15.0 V, $V_S=V_{SS}=COM=0$ V, $C_L=1000$ pF and $T_A=25^\circ C$ unless otherwise specified.

| Symbol | Characteristics | Test Condition | Min. | Typ. | Max. | Unit |
|-----------|-------------------------------------|----------------|------|------|------|------|
| t_{on} | Turn-On Propagation Delay | $V_S=0$ V | | 140 | 200 | ns |
| t_{off} | Turn-Off Propagation Delay | $V_S=0$ V | | 140 | 200 | |
| MT | Delay Matching, HS & LS Turn-On/Off | | | 15 | 50 | |
| t_r | Turn-on Rise Time | | | 25 | 50 | |
| t_f | Turn-off Fall Time | | | 20 | 45 | |

Typical Characteristics

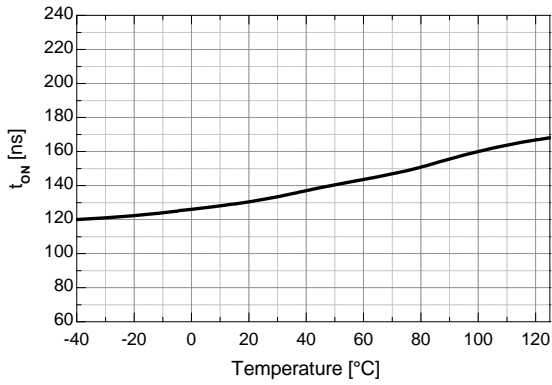


Figure 4. Turn-On Propagation Delay vs. Temperature

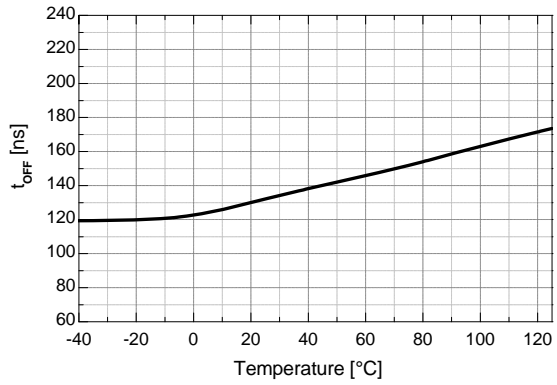


Figure 5. Turn-Off Propagation Delay vs. Temperature

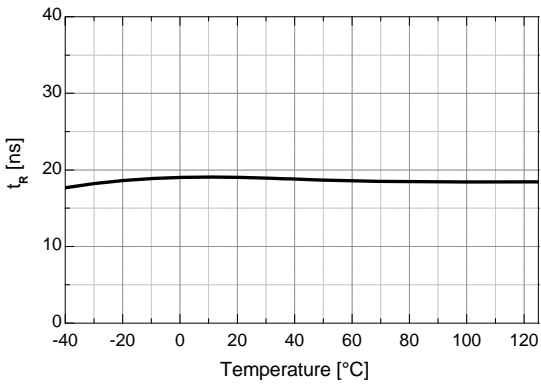


Figure 6. Turn-On Rise Time vs. Temperature

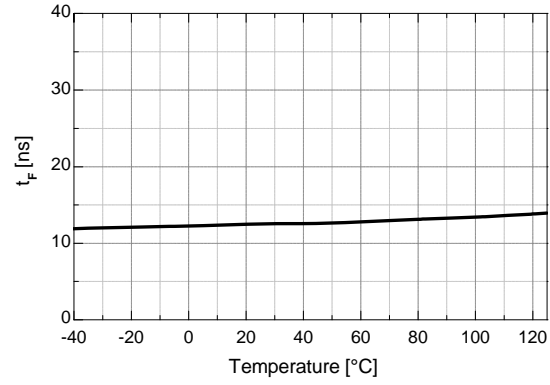


Figure 7. Turn-Off Fall Time vs. Temperature

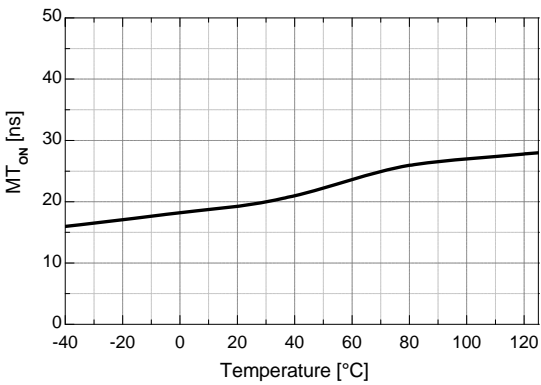


Figure 8. Turn-On Delay Matching vs. Temperature

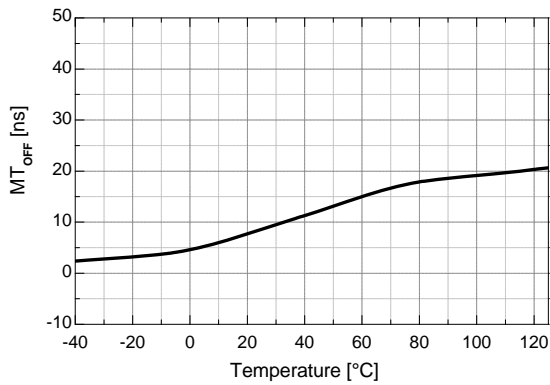


Figure 9. Turn-Off Delay Matching vs. Temperature

Typical Characteristics (Continued)

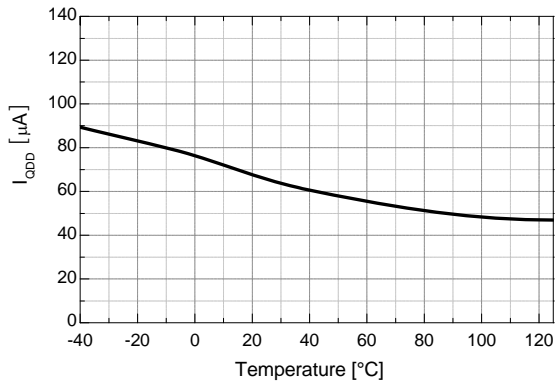


Figure 10. Quiescent V_{DD} Supply Current vs. Temperature

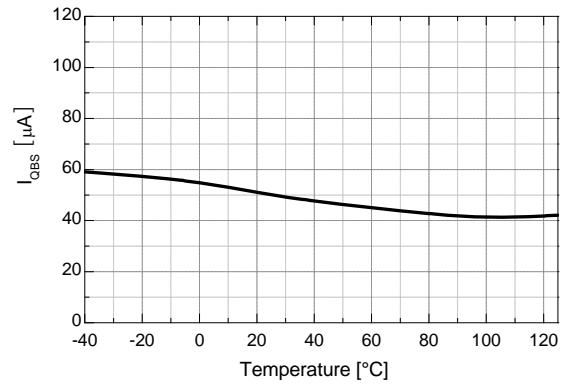


Figure 11. Quiescent V_{BS} Supply Current vs. Temperature

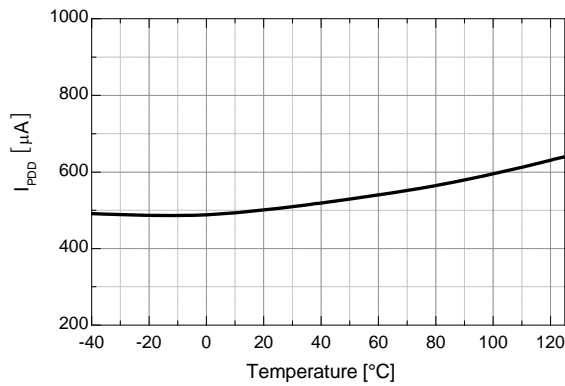


Figure 12. Operating V_{DD} Supply Current vs. Temperature

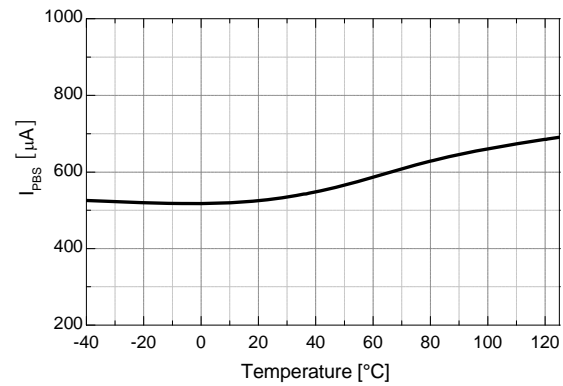


Figure 13. Operating V_{BS} Supply Current vs. Temperature

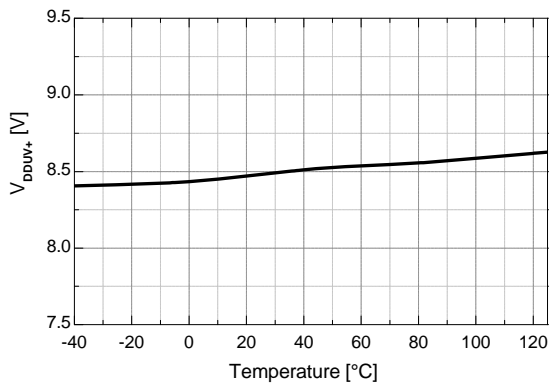


Figure 14. V_{DD} UVLO+ vs. Temperature

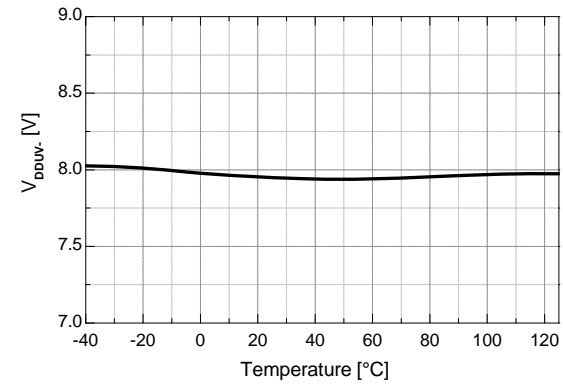


Figure 15. V_{DD} UVLO- vs. Temperature

Typical Characteristics (Continued)

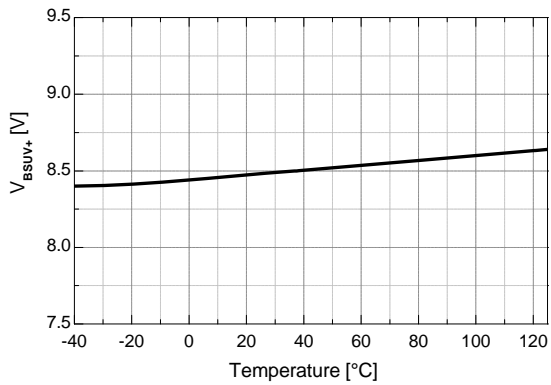


Figure 16. V_{BS} UVLO+ vs. Temperature

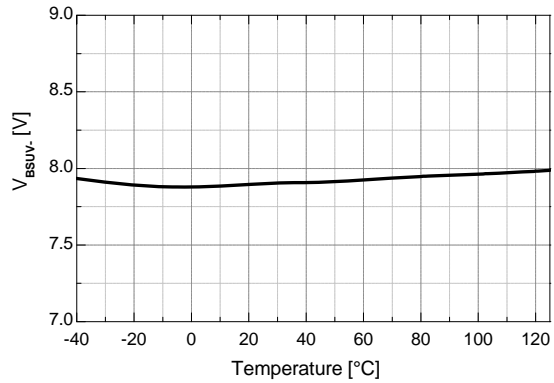


Figure 17. V_{BS} UVLO- vs. Temperature

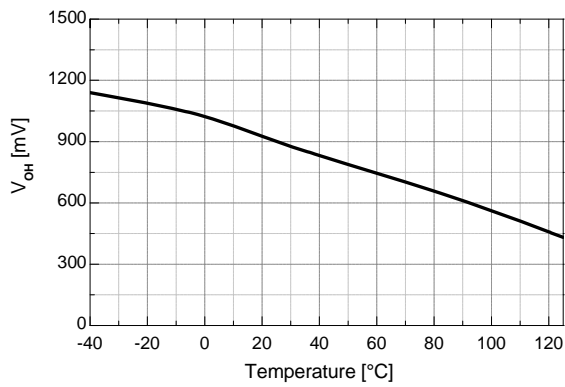


Figure 18. High-Level Output Voltage vs. Temperature

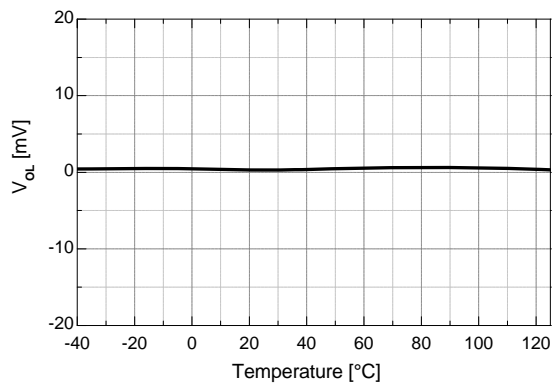


Figure 19. Low-Level Output Voltage vs. Temperature

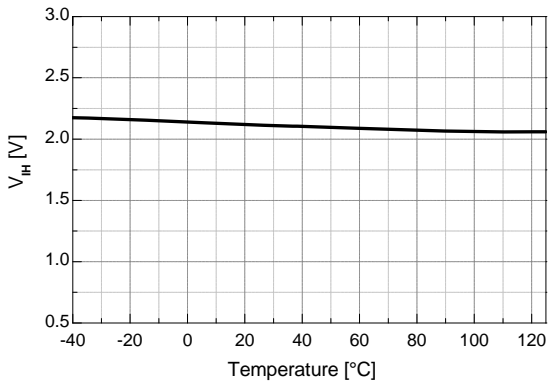


Figure 20. Logic HIGH Input Voltage vs. Temperature

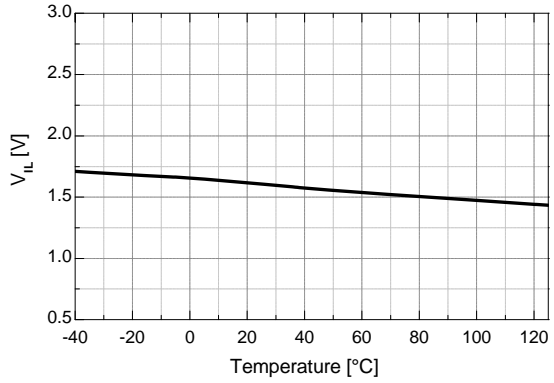


Figure 21. Logic LOW Input Voltage vs. Temperature

Typical Characteristics (Continued)

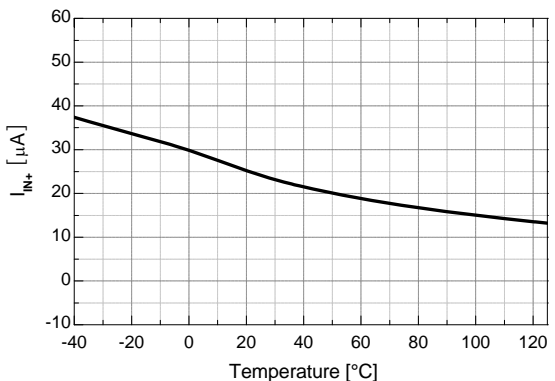


Figure 22. Logic Input High Bias Current vs. Temperature

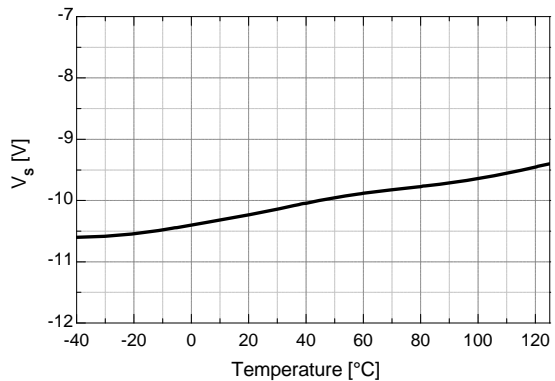


Figure 23. Allowable Negative V_S Voltage vs. Temperature

Switching Time Definitions

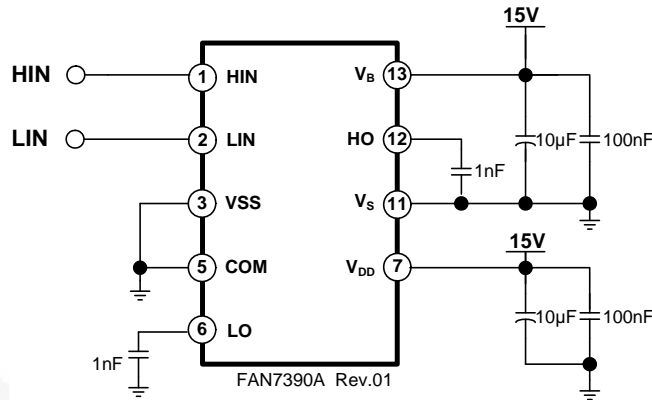


Figure 24. Switching Time Test Circuit (Referenced 8-SOP)

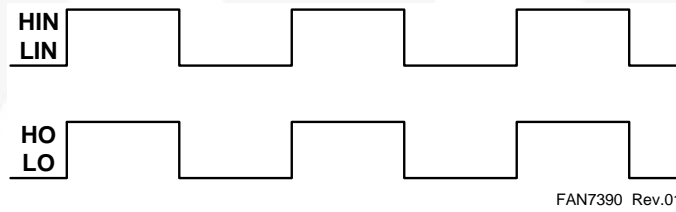


Figure 25. Input / Output Timing Diagram

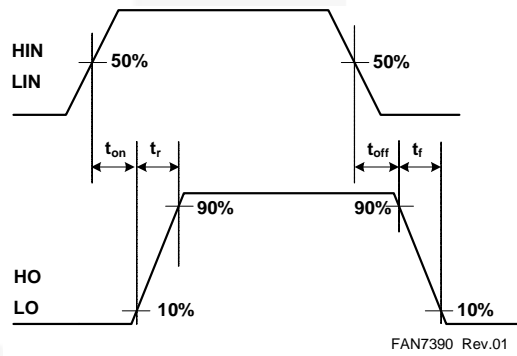


Figure 26. Switching Time Waveform Definitions

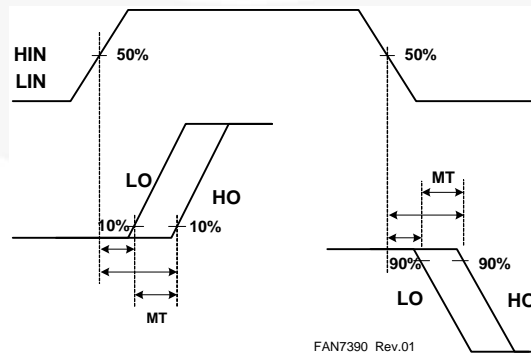
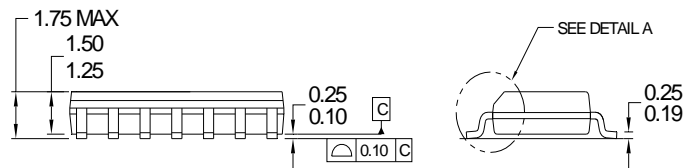
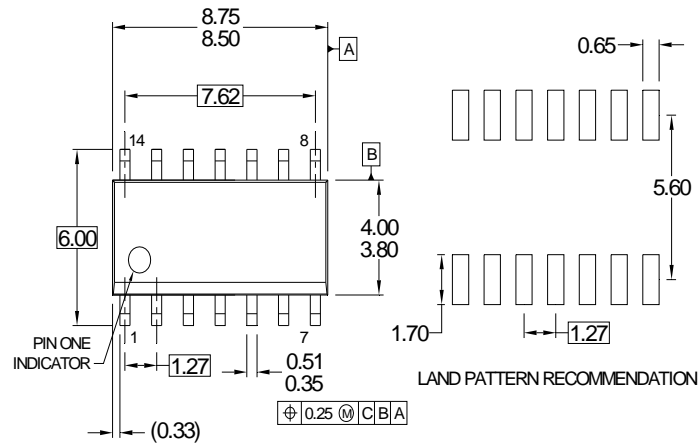
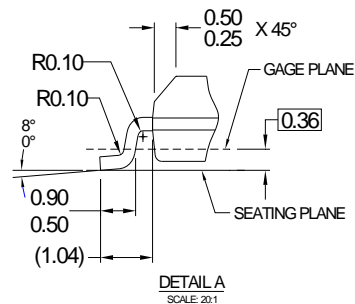


Figure 27. Delay Matching Waveform Definitions

Package Dimensions



NOTES: UNLESS OTHERWISE SPECIFIED



- A) THIS PACKAGE CONFORMS TO JEDEC MS-012, VARIATION AB, ISSUE C,
- B) ALL DIMENSIONS ARE IN MILLIMETERS.
- C) DIMENSIONS DO NOT INCLUDE MOLD FLASH OR BURRS.
- D) LANDPATTERN STANDARD: SOIC127P600X145-14M
- E) DRAWING CONFORMS TO ASME Y14.5M-1994
- F) DRAWING FILE NAME: M14AREV13

Figure 28. 14-Lead, Small Outline Package (SOP)

Package drawings are provided as a service to customers considering Fairchild components. Drawings may change in any manner without notice. Please note the revision and/or date on the drawing and contact a Fairchild Semiconductor representative to verify or obtain the most recent revision. Package specifications do not expand the terms of Fairchild's worldwide terms and conditions, specifically the warranty therein, which covers Fairchild products.

Always visit Fairchild Semiconductor's online packaging area for the most recent package drawings:

<http://www.fairchildsemi.com/packaging/>.



TRADEMARKS

The following includes registered and unregistered trademarks and service marks, owned by Fairchild Semiconductor and/or its global subsidiaries, and is not intended to be an exhaustive list of all such trademarks.

- | | | | |
|--|--|---|---|
| 2Cool™ | F-PFST™ | PowerTrench® | The Power Franchise® |
| AccuPower™ | FRFET® | PowerXS™ | the power franchise |
| AX-CAP™* | Global Power Resource™ | Programmable Active Droop™ | TinyBoost™ |
| BitSiC™ | GreenBridge™ | QFET® | TinyBuck™ |
| Build it Now™ | Green FPS™ | QS™ | TinyCalc™ |
| CorePLUS™ | Green FPS™ e-Series™ | Quiet Series™ | TinyLogic® |
| CorePOWER™ | Gmax™ | RapidConfigure™ | TINYOPTO™ |
| CROSS VOLT™ | GTO™ |  | TinyPower™ |
| CTL™ | IntelliMAX™ | Saving our world, 1mW/W/kW at a time™ | TinyPWM™ |
| Current Transfer Logic™ | ISOPLANAR™ | SignalWise™ | TinyWire™ |
| DEUXPEED® | Making Small Speakers Sound Louder and Better™ | SmartMax™ | TranSiC™ |
| Dual Cool™ | MegaBuck™ | SMART START™ | TriFault Detect™ |
| EcoSPARK® | MICROCOUPLER™ | Solutions for Your Success™ | TRUECURRENT®* |
| EfficientMax™ | MicroFET™ | SPM® | µSerDes™ |
| ESBC™ | MicroPak™ | STEALTH™ |  |
|  Fairchild® | MicroPak2™ | SuperFET® | UHC® |
| Fairchild Semiconductor® | MillerDrive™ | SuperSOT™-3 | Ultra FRFET™ |
| FACT Quiet Series™ | MotionMax™ | SuperSOT™-6 | UniFET™ |
| FACT® | mWSaver™ | SuperSOT™-8 | VCS™ |
| FAST® | OptoHi™ | SupreMOS® | VisualMax™ |
| FastvCore™ | OPTOLOGIC® | SyncFET™ | VoltagePlus™ |
| FETBench™ | OPTOPLANAR® | Sync-Lock™ | XS™ |
| FlashWriter®* | |  | |
| FPS™ | | | |

* Trademarks of System General Corporation, used under license by Fairchild Semiconductor.

DISCLAIMER

FAIRCHILD SEMICONDUCTOR RESERVES THE RIGHT TO MAKE CHANGES WITHOUT FURTHER NOTICE TO ANY PRODUCTS HEREIN TO IMPROVE RELIABILITY, FUNCTION, OR DESIGN. FAIRCHILD DOES NOT ASSUME ANY LIABILITY ARISING OUT OF THE APPLICATION OR USE OF ANY PRODUCT OR CIRCUIT DESCRIBED HEREIN; NEITHER DOES IT CONVEY ANY LICENSE UNDER ITS PATENT RIGHTS, NOR THE RIGHTS OF OTHERS. THESE SPECIFICATIONS DO NOT EXPAND THE TERMS OF FAIRCHILD'S WORLDWIDE TERMS AND CONDITIONS, SPECIFICALLY THE WARRANTY THEREIN, WHICH COVERS THESE PRODUCTS.

LIFE SUPPORT POLICY

FAIRCHILD'S PRODUCTS ARE NOT AUTHORIZED FOR USE AS CRITICAL COMPONENTS IN LIFE SUPPORT DEVICES OR SYSTEMS WITHOUT THE EXPRESS WRITTEN APPROVAL OF FAIRCHILD SEMICONDUCTOR CORPORATION.

As used herein:

1. Life support devices or systems are devices or systems which, (a) are intended for surgical implant into the body or (b) support or sustain life, and (c) whose failure to perform when properly used in accordance with instructions for use provided in the labeling, can be reasonably expected to result in a significant injury of the user.
2. A critical component in any component of a life support, device, or system whose failure to perform can be reasonably expected to cause the failure of the life support device or system, or to affect its safety or effectiveness.

ANTI-COUNTERFEITING POLICY

Fairchild Semiconductor Corporation's Anti-Counterfeiting Policy. Fairchild's Anti-Counterfeiting Policy is also stated on our external website, www.fairchildsemi.com, under Sales Support.

Counterfeiting of semiconductor parts is a growing problem in the industry. All manufacturers of semiconductor products are experiencing counterfeiting of their parts. Customers who inadvertently purchase counterfeit parts experience many problems such as loss of brand reputation, substandard performance, failed applications, and increased cost of production and manufacturing delays. Fairchild is taking strong measures to protect ourselves and our customers from the proliferation of counterfeit parts. Fairchild strongly encourages customers to purchase Fairchild parts either directly from Fairchild or from Authorized Fairchild Distributors who are listed by country on our web page cited above. Products customers buy either from Fairchild directly or from Authorized Fairchild Distributors are genuine parts, have full traceability, meet Fairchild's quality standards for handling and storage and provide access to Fairchild's full range of up-to-date technical and product information. Fairchild and our Authorized Distributors will stand behind all warranties and will appropriately address any warranty issues that may arise. Fairchild will not provide any warranty coverage or other assistance for parts bought from Unauthorized Sources. Fairchild is committed to combat this global problem and encourage our customers to do their part in stopping this practice by buying direct or from authorized distributors.

PRODUCT STATUS DEFINITIONS

Definition of Terms

| Datasheet Identification | Product Status | Definition |
|--------------------------|-----------------------|---|
| Advance Information | Formative / In Design | Datasheet contains the design specifications for product development. Specifications may change in any manner without notice. |
| Preliminary | First Production | Datasheet contains preliminary data; supplementary data will be published at a later date. Fairchild Semiconductor reserves the right to make changes at any time without notice to improve design. |
| No Identification Needed | Full Production | Datasheet contains final specifications. Fairchild Semiconductor reserves the right to make changes at any time without notice to improve the design. |
| Obsolete | Not In Production | Datasheet contains specifications on a product that is discontinued by Fairchild Semiconductor. The datasheet is for reference information only. |

Rev. I62

ON Semiconductor and  are trademarks of Semiconductor Components Industries, LLC dba ON Semiconductor or its subsidiaries in the United States and/or other countries. ON Semiconductor owns the rights to a number of patents, trademarks, copyrights, trade secrets, and other intellectual property. A listing of ON Semiconductor's product/patent coverage may be accessed at www.onsemi.com/site/pdf/Patent-Marking.pdf. ON Semiconductor reserves the right to make changes without further notice to any products herein. ON Semiconductor makes no warranty, representation or guarantee regarding the suitability of its products for any particular purpose, nor does ON Semiconductor assume any liability arising out of the application or use of any product or circuit, and specifically disclaims any and all liability, including without limitation special, consequential or incidental damages. Buyer is responsible for its products and applications using ON Semiconductor products, including compliance with all laws, regulations and safety requirements or standards, regardless of any support or applications information provided by ON Semiconductor. "Typical" parameters which may be provided in ON Semiconductor data sheets and/or specifications can and do vary in different applications and actual performance may vary over time. All operating parameters, including "Typicals" must be validated for each customer application by customer's technical experts. ON Semiconductor does not convey any license under its patent rights nor the rights of others. ON Semiconductor products are not designed, intended, or authorized for use as a critical component in life support systems or any FDA Class 3 medical devices or medical devices with a same or similar classification in a foreign jurisdiction or any devices intended for implantation in the human body. Should Buyer purchase or use ON Semiconductor products for any such unintended or unauthorized application, Buyer shall indemnify and hold ON Semiconductor and its officers, employees, subsidiaries, affiliates, and distributors harmless against all claims, costs, damages, and expenses, and reasonable attorney fees arising out of, directly or indirectly, any claim of personal injury or death associated with such unintended or unauthorized use, even if such claim alleges that ON Semiconductor was negligent regarding the design or manufacture of the part. ON Semiconductor is an Equal Opportunity/Affirmative Action Employer. This literature is subject to all applicable copyright laws and is not for resale in any manner.

PUBLICATION ORDERING INFORMATION

LITERATURE FULFILLMENT:

Literature Distribution Center for ON Semiconductor
19521 E. 32nd Pkwy, Aurora, Colorado 80011 USA
Phone: 303-675-2175 or 800-344-3860 Toll Free USA/Canada
Fax: 303-675-2176 or 800-344-3867 Toll Free USA/Canada
Email: orderlit@onsemi.com

N. American Technical Support: 800-282-9855 Toll Free
USA/Canada
Europe, Middle East and Africa Technical Support:
Phone: 421 33 790 2910
Japan Customer Focus Center
Phone: 81-3-5817-1050

ON Semiconductor Website: www.onsemi.com
Order Literature: <http://www.onsemi.com/orderlit>
For additional information, please contact your local
Sales Representative

X-ON Electronics

Largest Supplier of Electrical and Electronic Components

Click to view similar products for [Gate Drivers](#) category:

Click to view products by [ON Semiconductor](#) manufacturer:

Other Similar products are found below :

[89076GBEST](#) [00053P0231](#) [56956](#) [57.404.7355.5](#) [LT4936](#) [57.904.0755.0](#) [5882900001](#) [00600P0005](#) [00-9050-LRPP](#) [00-9090-RDPP](#)
[5951900000](#) [01-1003W-10/32-15](#) [0131700000](#) [00-2240](#) [LTP70N06](#) [LVP640](#) [5J0-1000LG-SIL](#) [LY1D-2-5S-AC120](#) [LY2-US-AC240](#) [LY3-](#)
[UA-DC24](#) [00576P0020](#) [00600P0010](#) [LZN4-UA-DC12](#) [LZNQ2M-US-DC5](#) [LZNQ2-US-DC12](#) [LZP40N10](#) [00-8196-RDPP](#) [00-8274-RDPP](#)
[00-8275-RDNP](#) [00-8722-RDPP](#) [00-8728-WHPP](#) [00-8869-RDPP](#) [00-9051-RDPP](#) [00-9091-LRPP](#) [00-9291-RDPP](#) [0207100000](#) [0207400000](#)
[01312](#) [0134220000](#) [60713816](#) [M15730061](#) [61161-90](#) [61278-0020](#) [6131-204-23149P](#) [6131-205-17149P](#) [6131-209-15149P](#) [6131-218-17149P](#)
[6131-220-21149P](#) [6131-260-2358P](#) [6131-265-11149P](#)