

Silicon Carbide Schottky Diode

650 V, 6 A

FFSB0665B

Silicon Carbide (SiC) Schottky Diodes use a completely new technology that provides superior switching performance and higher reliability compared to Silicon. No reverse recovery current, temperature independent switching characteristics, and excellent thermal performance sets Silicon Carbide as the next generation of power semiconductor. System benefits include highest efficiency, faster operating frequency, increased power density, reduced EMI, and reduced system size and cost.

Features

- Max Junction Temperature 175°C
- Avalanche Rated 24.5 mJ
- High Surge Current Capacity
- Positive Temperature Coefficient
- Ease of Paralleling
- No Reverse Recovery / No Forward Recovery
- These Devices are Pb-Free, Halogen Free/BFR Free and are RoHS Compliant

Applications

- General Purpose
- SMPS, Solar Inverter, UPS
- Power Switching Circuits

MAXIMUM RATINGS (T_J = 25°C unless otherwise noted)

| Parameter | Symbol | Value | Unit |
|---|-----------------------------------|--|------|
| Peak Repetitive Reverse Voltage | V _{RRM} | 650 | V |
| Single Pulse Avalanche Energy (T _J = 25°C, I _{L(pk)} = 9.9 A, L = 0.5 mH, V = 50 V) | E _{AS} | 24.5 | mJ |
| Continuous Rectified Forward Current | I _F | @ T _C < 150 | 6.0 |
| | | @ T _C < 135 | 8.0 |
| Non-Repetitive Peak Forward Surge Current | I _{FM} | T _C = 25°C t _p = 10 μs | 523 |
| | | T _C = 150°C t _p = 10 μs | 467 |
| Non-Repetitive Forward Surge Current (Half-Sine Pulse) | I _{FSM} | 45 | A |
| Power Dissipation | P _{tot} | T _C = 25°C | 61 |
| | | T _C = 150°C | 10 |
| Operating Junction and Storage Temperature Range | T _J , T _{stg} | -55 to +175 | °C |

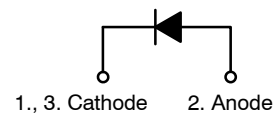
Stresses exceeding those listed in the Maximum Ratings table may damage the device. If any of these limits are exceeded, device functionality should not be assumed, damage may occur and reliability may be affected.



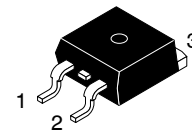
ON Semiconductor®

www.onsemi.com

| V _{RRM} | I _F |
|------------------|----------------|
| 650 V | 6.0 A |

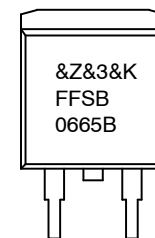


Schottky Diode



D²PAK-2
TO-263
CASE 418BK

MARKING DIAGRAM



&Z = Assembly Plant Code
 &3 = Numeric Date Code
 &K = Lot Code
 FFSB0665B = Specific Device Code

ORDERING INFORMATION

See detailed ordering and shipping information on page 2 of this data sheet.

FFSB0665B

THERMAL CHARACTERISTICS

| Parameter | Symbol | Value | Unit |
|--|-----------------|-------|-----------------------------|
| Thermal Resistance, Junction-to-Case, Max. | $R_{\theta JC}$ | 2.46 | $^{\circ}\text{C}/\text{W}$ |

ELECTRICAL CHARACTERISTICS ($T_J = 25^{\circ}\text{C}$ unless otherwise noted)

| Parameter | Symbol | Test Conditions | Min | Typ | Max | Unit |
|-----------|--------|-----------------|-----|-----|-----|------|
|-----------|--------|-----------------|-----|-----|-----|------|

ON CHARACTERISTICS

| | | | | | | |
|-----------------|-------|--|--|------|-----|---------------|
| Forward Voltage | V_F | $I_F = 6.0 \text{ A}, T_J = 25^{\circ}\text{C}$ | | 1.38 | 1.7 | V |
| | | $I_F = 6.0 \text{ A}, T_J = 125^{\circ}\text{C}$ | | 1.53 | 2.0 | |
| | | $I_F = 6.0 \text{ A}, T_J = 175^{\circ}\text{C}$ | | 1.67 | 2.4 | |
| Reverse Current | I_R | $V_R = 650 \text{ V}, T_J = 25^{\circ}\text{C}$ | | 0.5 | 40 | μA |
| | | $V_R = 650 \text{ V}, T_J = 125^{\circ}\text{C}$ | | 1.0 | 80 | |
| | | $V_R = 650 \text{ V}, T_J = 175^{\circ}\text{C}$ | | 2.0 | 160 | |

CHARGES, CAPACITANCES & GATE RESISTANCE

| | | | | | | |
|-------------------------|------------------|--|--|-----|--|----|
| Total Capacitive Charge | Q_C | $V_C = 400 \text{ V}$ | | 16 | | nC |
| | C_{tot} | $V_R = 1 \text{ V}, f = 100 \text{ kHz}$ | | 259 | | pF |
| | | $V_R = 200 \text{ V}, f = 100 \text{ kHz}$ | | 29 | | |
| | | $V_R = 400 \text{ V}, f = 100 \text{ kHz}$ | | 22 | | |

Product parametric performance is indicated in the Electrical Characteristics for the listed test conditions, unless otherwise noted. Product performance may not be indicated by the Electrical Characteristics if operated under different conditions.

PACKAGE MARKING AND ORDERING INFORMATION

| Part Number | Top Marking | Package | Packing Method | Reel Size | Tape Width | Quantity |
|-------------|-------------|--------------------|----------------|-----------|------------|-----------|
| FFSB0665B | FFSB0665B | D ² PAK | Tape & Reel† | 330 mm | 24 mm | 800 Units |

†For information on tape and reel specifications, including part orientation and tape sizes, please refer to our Tape and Reel Packaging Specifications Brochure, [BRD8011/D](#).

TYPICAL CHARACTERISTICS

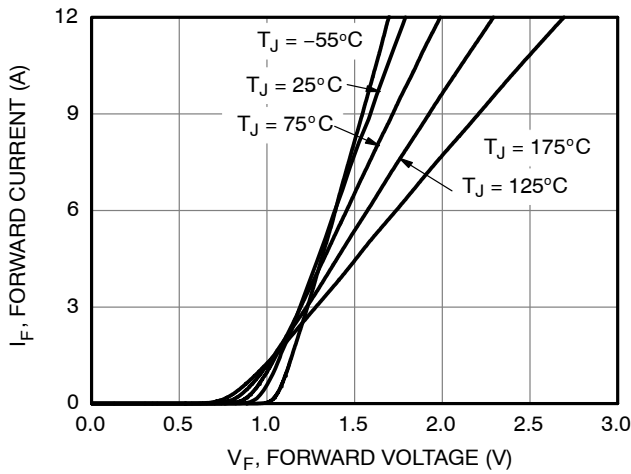


Figure 1. Forward Characteristics

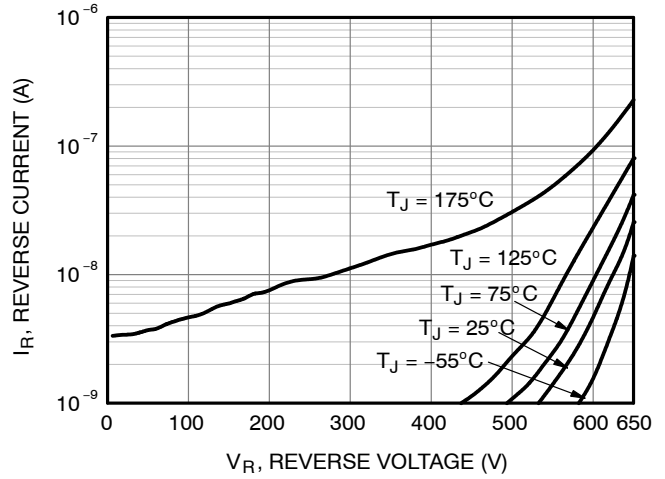


Figure 2. Reverse Characteristics

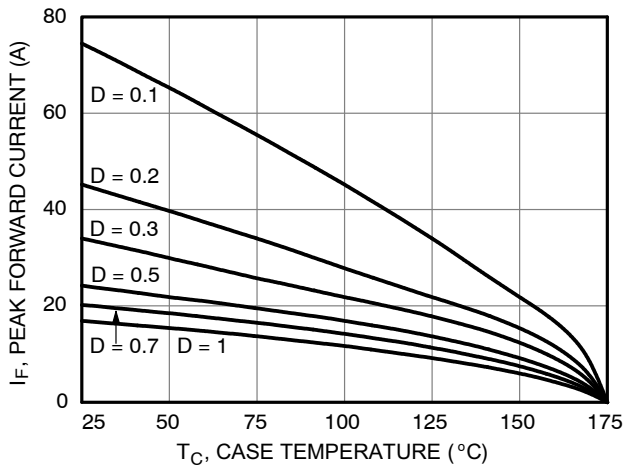


Figure 3. Current Derating

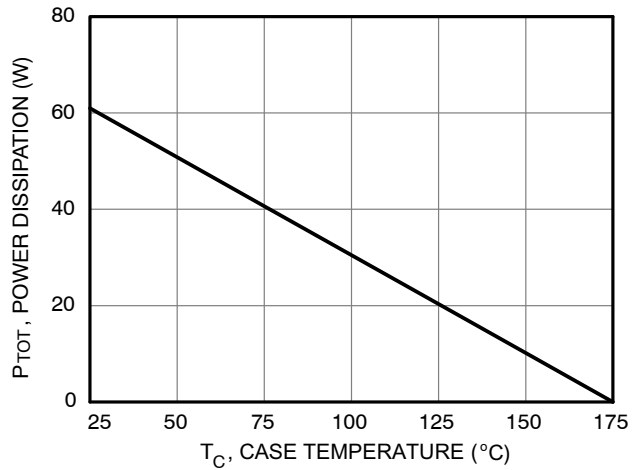


Figure 4. Power Derating

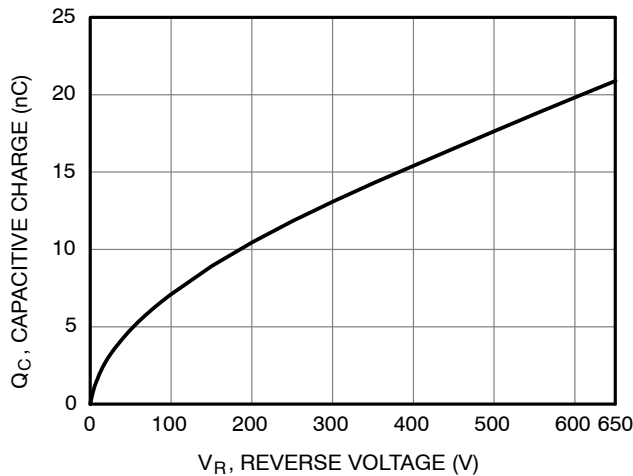


Figure 5. Capacitive Charge vs. Reverse Voltage

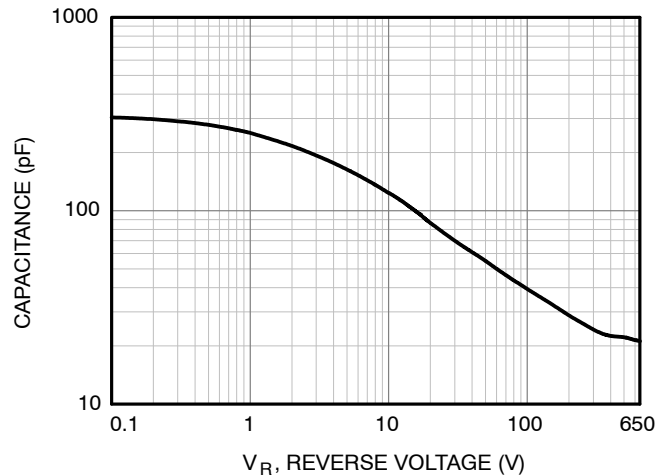


Figure 6. Capacitance vs. Reverse Voltage

TYPICAL CHARACTERISTICS

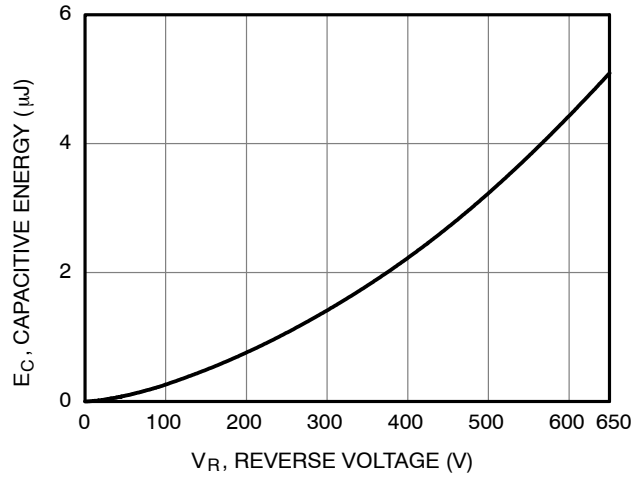


Figure 7. Capacitance Stored Energy

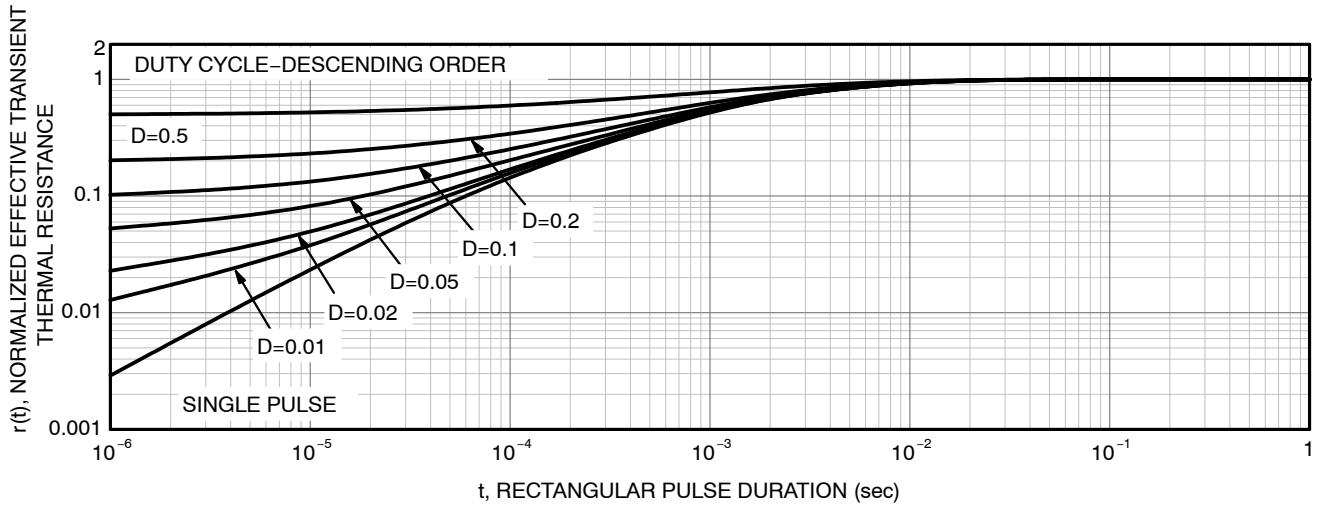


Figure 8. Junction-to-Case Transient Thermal Response

MECHANICAL CASE OUTLINE

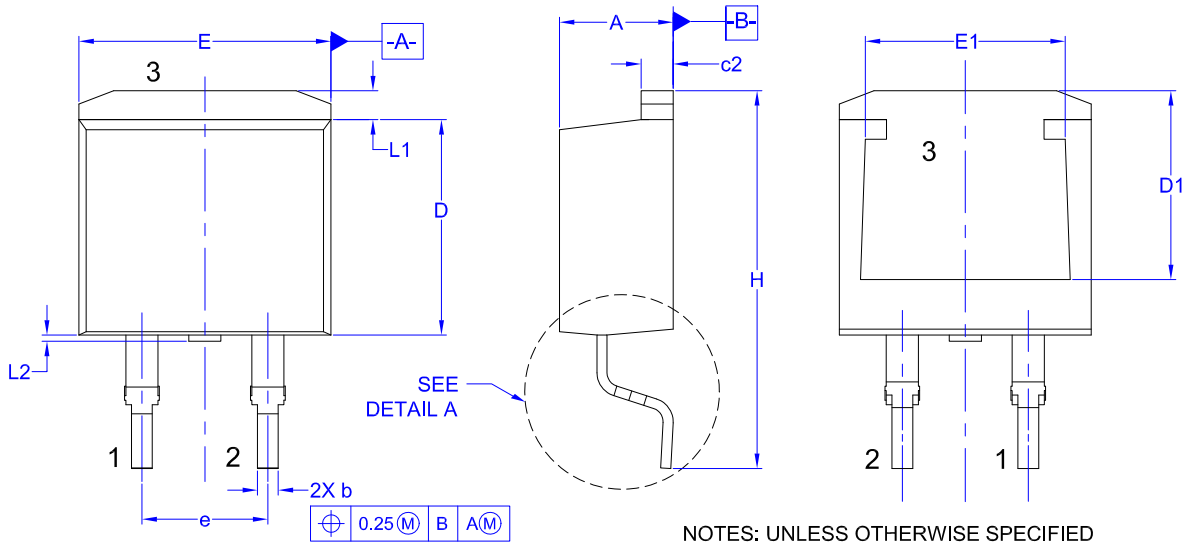
PACKAGE DIMENSIONS

ON Semiconductor®

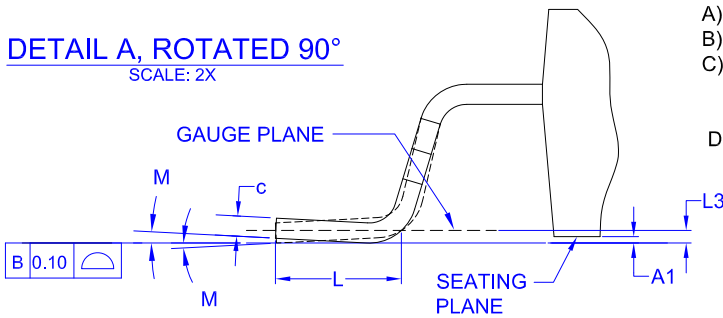


D²PAK2 (TO-263-2L) CASE 418BK ISSUE O

DATE 02 AUG 2018

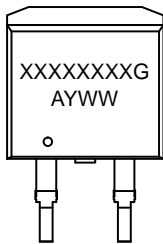


DETAIL A, ROTATED 90°
SCALE: 2X



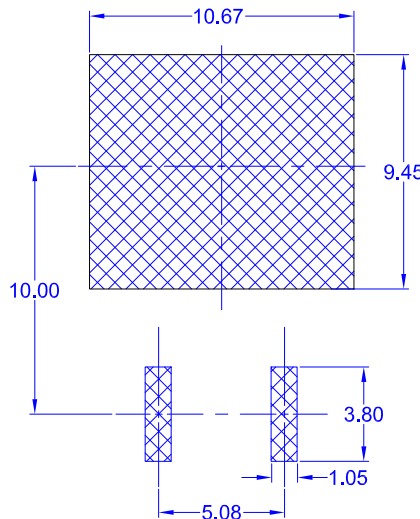
- NOTES: UNLESS OTHERWISE SPECIFIED
- A) ALL DIMENSIONS ARE IN MILLIMETERS.
 - B) REFERENCE JEDEC, TO-263, VARIATION AB.
 - C) DIMENSIONING AND TOLERANCING PER DIMENSIONING AND TOLERANCING PER ASME Y14.5 - 2009.
 - D) LANDPATTERN RECOMMENDATION PER IPC TO254P1524X482-3N

GENERIC MARKING DIAGRAM*



- XXX = Specific Device Code
- A = Assembly Location
- Y = Year
- WW = Work Week
- G = Pb-Free Package

*This information is generic. Please refer to device data sheet for actual part marking. Pb-Free indicator, "G" or microdot "▪", may or may not be present. Some products may not follow the Generic Marking.



LAND PATTERN RECOMMENDATION
UNLESS NOTED, ALL DIMS TYPICAL

| DIM | MILLIMETERS | | |
|-----|-------------|-------|-------|
| | MIN | NOM | MAX |
| A | 4.06 | 4.57 | 4.83 |
| A1 | 0.00 | 0.10 | 0.25 |
| b | 0.51 | 0.81 | 0.99 |
| c | 0.30 | 0.407 | 0.74 |
| c2 | 1.14 | 1.30 | 1.65 |
| D | 8.38 | 8.69 | 9.65 |
| D1 | 7.30 | 7.80 | 8.30 |
| E | 9.65 | 10.16 | 10.67 |
| E1 | 8.00 | 8.62 | 9.00 |
| e | 5.08 BSC | | |
| H | 14.60 | 15.35 | 15.88 |
| L | 1.78 | 2.54 | 2.79 |
| L1 | 0.90 | 1.29 | 1.68 |
| L2 | 0.00 | 0.15 | 0.25 |
| L3 | 0.25 BSC | | |
| M | 0° | 4° | 8° |

| | | |
|-------------------------|--------------------------------------|--|
| DOCUMENT NUMBER: | 98AON93788G | Electronic versions are uncontrolled except when accessed directly from the Document Repository. Printed versions are uncontrolled except when stamped "CONTROLLED COPY" in red. |
| DESCRIPTION: | D²PAK2 (TO-263-2L) | PAGE 1 OF 1 |

ON Semiconductor and are trademarks of Semiconductor Components Industries, LLC dba ON Semiconductor or its subsidiaries in the United States and/or other countries. ON Semiconductor reserves the right to make changes without further notice to any products herein. ON Semiconductor makes no warranty, representation or guarantee regarding the suitability of its products for any particular purpose, nor does ON Semiconductor assume any liability arising out of the application or use of any product or circuit, and specifically disclaims any and all liability, including without limitation special, consequential or incidental damages. ON Semiconductor does not convey any license under its patent rights nor the rights of others.

onsemi, **Onsemi**, and other names, marks, and brands are registered and/or common law trademarks of Semiconductor Components Industries, LLC dba "**onsemi**" or its affiliates and/or subsidiaries in the United States and/or other countries. **onsemi** owns the rights to a number of patents, trademarks, copyrights, trade secrets, and other intellectual property. A listing of **onsemi**'s product/patent coverage may be accessed at www.onsemi.com/site/pdf/Patent-Marking.pdf. **onsemi** reserves the right to make changes at any time to any products or information herein, without notice. The information herein is provided "as-is" and **onsemi** makes no warranty, representation or guarantee regarding the accuracy of the information, product features, availability, functionality, or suitability of its products for any particular purpose, nor does **onsemi** assume any liability arising out of the application or use of any product or circuit, and specifically disclaims any and all liability, including without limitation special, consequential or incidental damages. Buyer is responsible for its products and applications using **onsemi** products, including compliance with all laws, regulations and safety requirements or standards, regardless of any support or applications information provided by **onsemi**. "Typical" parameters which may be provided in **onsemi** data sheets and/or specifications can and do vary in different applications and actual performance may vary over time. All operating parameters, including "Typicals" must be validated for each customer application by customer's technical experts. **onsemi** does not convey any license under any of its intellectual property rights nor the rights of others. **onsemi** products are not designed, intended, or authorized for use as a critical component in life support systems or any FDA Class 3 medical devices or medical devices with a same or similar classification in a foreign jurisdiction or any devices intended for implantation in the human body. Should Buyer purchase or use **onsemi** products for any such unintended or unauthorized application, Buyer shall indemnify and hold **onsemi** and its officers, employees, subsidiaries, affiliates, and distributors harmless against all claims, costs, damages, and expenses, and reasonable attorney fees arising out of, directly or indirectly, any claim of personal injury or death associated with such unintended or unauthorized use, even if such claim alleges that **onsemi** was negligent regarding the design or manufacture of the part. **onsemi** is an Equal Opportunity/Affirmative Action Employer. This literature is subject to all applicable copyright laws and is not for resale in any manner.

PUBLICATION ORDERING INFORMATION

LITERATURE FULFILLMENT:

Email Requests to: orderlit@onsemi.com

onsemi Website: www.onsemi.com

TECHNICAL SUPPORT

North American Technical Support:

Voice Mail: 1 800-282-9855 Toll Free USA/Canada

Phone: 011 421 33 790 2910

Europe, Middle East and Africa Technical Support:

Phone: 00421 33 790 2910

For additional information, please contact your local Sales Representative

X-ON Electronics

Largest Supplier of Electrical and Electronic Components

Click to view similar products for [Schottky Diodes & Rectifiers](#) category:

Click to view products by [ON Semiconductor](#) manufacturer:

Other Similar products are found below :

[MA4E2039](#) [D1FH3-5063](#) [MBR10100CT-BP](#) [MBR1545CT](#) [MMBD301M3T5G](#) [RB160M-50TR](#) [RB551V-30](#) [BAS16E6433HTMA1](#) [BAT](#)
[54-02LRH E6327](#) [NSR05F40QNXT5G](#) [NTE555](#) [JANS1N6640](#) [SB07-03C-TB-H](#) [SB1003M3-TL-W](#) [SK310-T](#) [SK32A-LTP](#) [SK34B-TP](#)
[SS3003CH-TL-E](#) [GA01SHT18](#) [CRS10I30A\(TE85L,QM](#) [MA4E2501L-1290](#) [MBRB30H30CT-1G](#) [SB007-03C-TB-E](#) [SK32A-TP](#) [SK33B-TP](#)
[SK38B-TP](#) [NRVBM120LT1G](#) [NTE505](#) [NTSB30U100CT-1G](#) [SS15E-TP](#) [VS-6CWQ10FNHM3](#) [ACDBA1100LR-HF](#) [ACDBA1200-HF](#)
[ACDBA140-HF](#) [ACDBA2100-HF](#) [ACDBA3100-HF](#) [CDBQC0530L-HF](#) [ACDBA340-HF](#) [ACDBA260LR-HF](#) [ACDBA1100-HF](#) [SK310B-TP](#)
[MA4E2502L-1246](#) [MA4E2502H-1246](#) [NRVBM120ET1G](#) [NSR01L30MXT5G](#) [NTE573](#) [NTE6081](#) [SB560](#) [PMAD1108-LF](#) [SD103ATW-TP](#)