



Is Now Part of



ON Semiconductor®

To learn more about ON Semiconductor, please visit our website at
www.onsemi.com

Please note: As part of the Fairchild Semiconductor integration, some of the Fairchild orderable part numbers will need to change in order to meet ON Semiconductor's system requirements. Since the ON Semiconductor product management systems do not have the ability to manage part nomenclature that utilizes an underscore (_), the underscore (_) in the Fairchild part numbers will be changed to a dash (-). This document may contain device numbers with an underscore (_). Please check the ON Semiconductor website to verify the updated device numbers. The most current and up-to-date ordering information can be found at www.onsemi.com. Please email any questions regarding the system integration to Fairchild_questions@onsemi.com.

ON Semiconductor and the ON Semiconductor logo are trademarks of Semiconductor Components Industries, LLC dba ON Semiconductor or its subsidiaries in the United States and/or other countries. ON Semiconductor owns the rights to a number of patents, trademarks, copyrights, trade secrets, and other intellectual property. A listing of ON Semiconductor's product/patent coverage may be accessed at www.onsemi.com/site/pdf/Patent-Marking.pdf. ON Semiconductor reserves the right to make changes without further notice to any products herein. ON Semiconductor makes no warranty, representation or guarantee regarding the suitability of its products for any particular purpose, nor does ON Semiconductor assume any liability arising out of the application or use of any product or circuit, and specifically disclaims any and all liability, including without limitation special, consequential or incidental damages. Buyer is responsible for its products and applications using ON Semiconductor products, including compliance with all laws, regulations and safety requirements or standards, regardless of any support or applications information provided by ON Semiconductor. "Typical" parameters which may be provided in ON Semiconductor data sheets and/or specifications can and do vary in different applications and actual performance may vary over time. All operating parameters, including "Typicals" must be validated for each customer application by customer's technical experts. ON Semiconductor does not convey any license under its patent rights nor the rights of others. ON Semiconductor products are not designed, intended, or authorized for use as a critical component in life support systems or any FDA Class 3 medical devices or medical devices with a same or similar classification in a foreign jurisdiction or any devices intended for implantation in the human body. Should Buyer purchase or use ON Semiconductor products for any such unintended or unauthorized application, Buyer shall indemnify and hold ON Semiconductor and its officers, employees, subsidiaries, affiliates, and distributors harmless against all claims, costs, damages, and expenses, and reasonable attorney fees arising out of, directly or indirectly, any claim of personal injury or death associated with such unintended or unauthorized use, even if such claim alleges that ON Semiconductor was negligent regarding the design or manufacture of the part. ON Semiconductor is an Equal Opportunity/Affirmative Action Employer. This literature is subject to all applicable copyright laws and is not for resale in any manner.



January 2016

FJP2160D

ESBC™ Rated NPN Silicon Transistor

Applications

- High Voltage and High Speed Power Switch Application
- Emitter-Switched Bipolar/MOSFET Cascode Application (ESBC™)
- Smart Meter, Smart Breakers, HV Industrial Power Supplies
- Motor Driver and Ignition Driver

ESBC Features (FDC655 MOSFET)

$V_{CS(ON)}$	I_C	Equiv $R_{CS(ON)}$
0.131 V	0.5 A	0.261 $\Omega^{(1)}$

- Low Equivalent On Resistance
- Very Fast Switch: 150 KHz
- Squared RBSOA: Up to 1600 V
- Avalanche Rated
- Low Driving Capacitance, no Miller Capacitance (Typ. 12 pF Capacitance at 200 V)
- Low Switching Losses
- Reliable HV switch: No False Triggering due to High dv/dt Transients.

Description

The FJP2160D is a low-cost, high performance power switch designed to provide the best performance when used in an ESBC™ configuration in applications such as: power supplies, motor drivers, Smart Grid, or ignition switches. The power switch is designed to operate up to 1600 volts and up to 3 amps while providing exceptionally low on-resistance and very low switching losses.

The ESBC™ switch is designed to be easy to drive using off-the-shelf power supply controllers or drivers. The ESBC™ MOSFET is a low-voltage, low-cost, surface mount device that combines low-input capacitance and fast switching. The ESBC™ configuration further minimizes the required driving power because it does not have Miller capacitance.

The FJP2160D provides exceptional reliability and a large operating range due to its square reverse-bias-safe-operating-area (RBSOA) and rugged design. The device is avalanche rated and has no parasitic transistors so is not prone to static dv/dt failures.

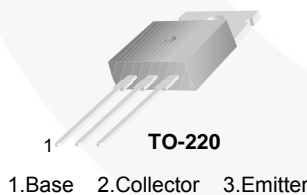


Figure 1. Pin Configuration

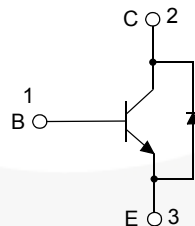


Figure 2. Internal Schematic Diagram

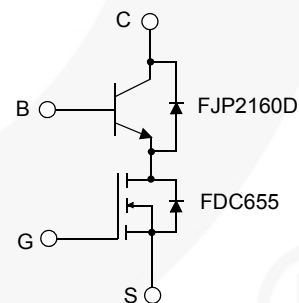


Figure 3. ESBC Configuration⁽²⁾

Ordering Information

Part Number	Marking	Package	Packing Method
FJP2160DTU	J2160D	TO-220 3L	Tube

Notes:

1. Figure of Merit.
2. Other Fairchild MOSFETs can be used in this ESBC application.

Absolute Maximum Ratings⁽³⁾

Stresses exceeding the absolute maximum ratings may damage the device. The device may not function or be operable above the recommended operating conditions and stressing the parts to these levels is not recommended. In addition, extended exposure to stresses above the recommended operating conditions may affect device reliability. The absolute maximum ratings are stress ratings only. Values are at $T_A = 25^\circ\text{C}$ unless otherwise noted.

Symbol	Parameter	Value	Unit
V_{CBO}	Collector-Base Voltage	1600	V
V_{CEO}	Collector-Emitter Voltage	800	V
V_{EBO}	Emitter-Base Voltage	12	V
I_C	Collector Current	2	A
I_{CP}	Collector Current (Pulse)	3	A
I_B	Base Current	1	A
I_{BP}	Base Current (Pulse)	2	A
P_D	Power Dissipation ($T_C = 25^\circ\text{C}$)	100	W
T_J	Operating and Junction Temperature Range	- 55 to +125	$^\circ\text{C}$
T_{STG}	Storage Temperature Range	- 65 to +150	$^\circ\text{C}$
EAS	Avalanche Energy ($T_J = 25^\circ\text{C}$, 8 mH)	3.5	mJ

Note:

3. Pulse test: pulse width = 20 μs , duty cycle $\leq 10\%$

Thermal Characteristics

Values are at $T_A = 25^\circ\text{C}$ unless otherwise noted.

Symbol	Parameter	Max.	Unit
$R_{\theta jc}$	Thermal Resistance, Junction-to-Case	1.25	$^\circ\text{C/W}$
$R_{\theta ja}$	Thermal Resistance, Junction-to-Ambient	80	$^\circ\text{C/W}$

Electrical Characteristics

Values are at $T_A = 25^\circ\text{C}$ unless otherwise noted.

Symbol	Parameter	Conditions	Min.	Typ.	Max.	Unit
BV_{CBO}	Collector-Base Breakdown Voltage	$I_C = 0.5\text{ mA}, I_E = 0$	1600	1689		V
BV_{CEO}	Collector-Emitter Breakdown Voltage	$I_C = 5\text{ mA}, I_B = 0$	800	870		V
BV_{EBO}	Emitter-Base Breakdown Voltage	$I_E = 0.5\text{ mA}, I_C = 0$	12.0	14.8		V
I_{CES}	Collector Cut-Off Current	$V_{CE} = 1600\text{ V}, V_{BE} = 0$		0.01	100	μA
I_{CEO}	Collector Cut-Off Current	$V_{CE} = 800\text{ V}, I_B = 0$		0.01	100	μA
I_{EBO}	Emitter Cut-Off Current	$V_{EB} = 12\text{ V}, I_C = 0$		0.05	500	μA
h_{FE}	DC Current Gain	$V_{CE} = 3\text{ V}, I_C = 0.4\text{ A}$	20	29	35	
		$V_{CE} = 10\text{ V}, I_C = 5\text{ mA}$	20	43		
$V_{CE(sat)}$	Collector-Emitter Saturation Voltage	$I_C = 0.25\text{ A}, I_B = 0.05\text{ A}$		0.16	0.45	V
		$I_C = 0.5\text{ A}, I_B = 0.167\text{ A}$		0.12	0.35	
		$I_C = 1\text{ A}, I_B = 0.33\text{ A}$		0.25	0.75	
$V_{BE(sat)}$	Base-Emitter Saturation Voltage	$I_C = 500\text{ mA}, I_B = 50\text{ mA}$		0.74	1.20	V
		$I_C = 2\text{ A}, I_B = 0.4\text{ A}$		0.85	1.20	
C_{ib}	Input Capacitance	$V_{EB} = 10\text{ V}, I_C = 0, f = 1\text{ MHz}$		745	1000	pF
C_{ob}	Output Capacitance	$V_{CB} = 200\text{ V}, I_E = 0, f = 1\text{ MHz}$		15		pF
f_T	Current Gain Bandwidth Product	$I_C = 0.1\text{ A}, V_{CE} = 10\text{ V}$		5		MHz
V_F	Diode Forward Voltage	$I_F = 0.4\text{ A}$		0.76	1.20	V
		$I_F = 1\text{ A}$		0.83	1.50	

ESBC Configured Electrical Characteristics⁽⁴⁾

Values are at $T_A = 25^\circ\text{C}$ unless otherwise noted.

Symbol	Parameter	Conditions	Min.	Typ.	Max.	Unit
f_T	Current Gain Bandwidth Product	$I_C = 0.1\text{ A}, V_{CE} = 10\text{ V}$		25		MHz
t_{f_i}	Inductive Current Fall Time	$V_{GS} = 10\text{ V}, R_G = 47\ \Omega,$ $V_{Clamp} = 500\text{ V},$ $t_p = 3.1\ \mu\text{s}, I_C = 0.3\text{ A},$ $I_B = 0.03\text{ A}, L_C = 1\text{ mH},$ $SRF = 480\text{ kHz}$		137		ns
t_s	Inductive Storage Time			350		ns
V_{t_f}	Inductive Voltage Fall Time			120		ns
V_{t_r}	Inductive Voltage Rise Time			100		ns
t_c	Inductive Crossover Time			137		ns
I_{t_f}	Inductive Current Fall Time			35		ns
t_s	Inductive Storage Time	$V_{GS} = 10\text{ V}, R_G = 47\ \Omega,$ $V_{Clamp} = 500\text{ V},$ $t_p = 10\ \mu\text{s}, I_C = 1\text{ A},$ $I_B = 0.2\text{ A}, L_C = 1\text{ mH},$ $SRF = 480\text{ kHz}$		980		ns
V_{t_f}	Inductive Voltage Fall Time			30		ns
V_{t_r}	Inductive Voltage Rise Time			195		ns
t_c	Inductive Crossover Time			210		ns
V_{CSW}	Maximum Collector Source Voltage at Turn-off without Snubber		$h_{FE} = 5, I_C = 2\text{ A}$	1600		
$I_{GS(OS)}$	Gate-Source Leakage Current	$V_{GS} = \pm 20\text{ V}$		1.0		nA
$V_{CS(ON)}$	Collector-Source On Voltage	$V_{GS} = 10\text{ V}, I_C = 2\text{ A}, I_B = 0.67\text{ A},$ $h_{FE} = 3$		2.210		V
		$V_{GS} = 10\text{ V}, I_C = 1\text{ A}, I_B = 0.33\text{ A},$ $h_{FE} = 3$		0.321		
		$V_{GS} = 10\text{ V}, I_C = 0.5\text{ A}, I_B = 0.17\text{ A},$ $h_{FE} = 3$		0.131		
		$V_{GS} = 10\text{ V}, I_C = 0.3\text{ A}, I_B = 0.06\text{ A},$ $h_{FE} = 5$		0.166		
$V_{GS(th)}$	Gate Threshold Voltage	$V_{BS} = V_{GS}, I_B = 250\ \mu\text{A}$		1.9		V
C_{iss}	Input Capacitance ($V_{GS} = V_{CB} = 0$)	$V_{CS} = 25\text{ V}, f = 1\text{ MHz}$		470		pF
$Q_{GS(tot)}$	Gate-Source Charge $V_{CB} = 0$	$V_{GS} = 10\text{ V}, I_C = 8\text{ A}, V_{CS} = 25\text{ V}$		9		nC
$r_{DS(ON)}$	Static Drain-Source On Resistance	$V_{GS} = 10\text{ V}, I_D = 6.3\text{ A}$		21		m Ω
		$V_{GS} = 4.5\text{ V}, I_D = 5.5\text{ A}$		26		
		$V_{GS} = 10\text{ V}, I_D = 6.3\text{ A}, T_J = 125^\circ\text{C}$		30		

Note:

4. Used typical FDC655 MOSFET values in table. Values can vary if other Fairchild MOSFETs are used.

Typical Performance Characteristics

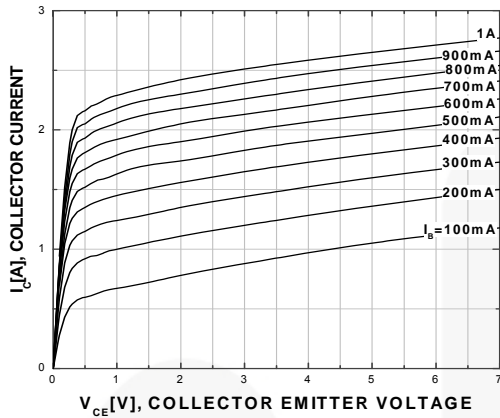


Figure 4. Static Characteristic

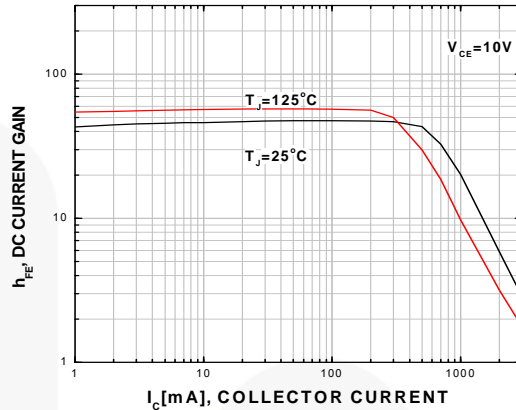


Figure 5. DC Current Gain

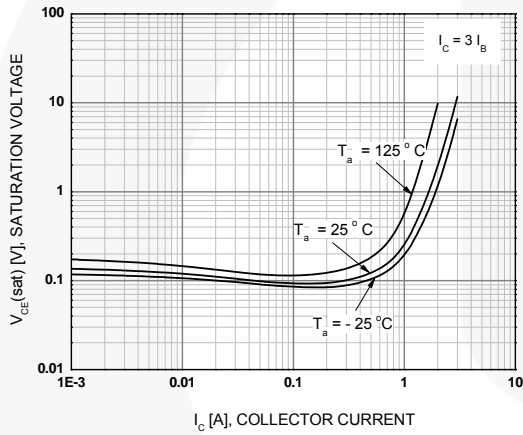


Figure 6. Collector-Emitter Saturation Voltage
 $h_{FE}=3$

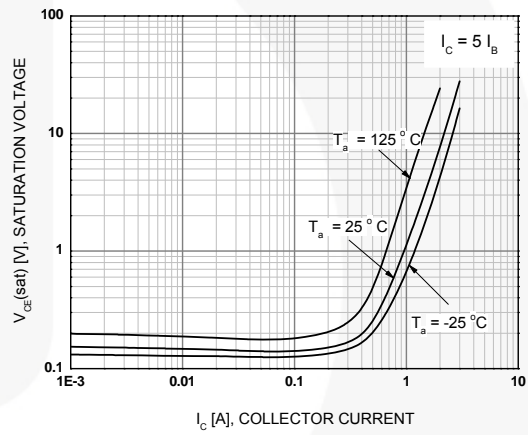


Figure 7. Collector-Emitter Saturation Voltage
 $h_{FE}=5$

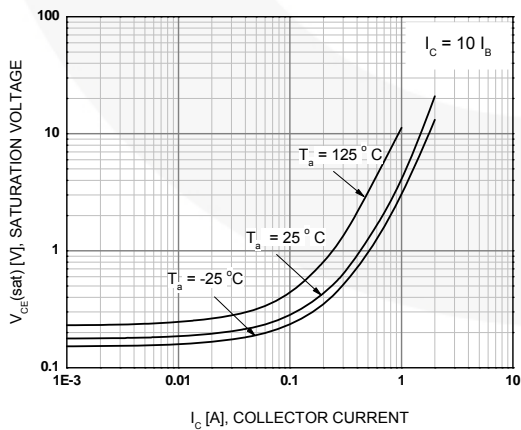


Figure 8. Collector-Emitter Saturation Voltage
 $h_{FE}=10$

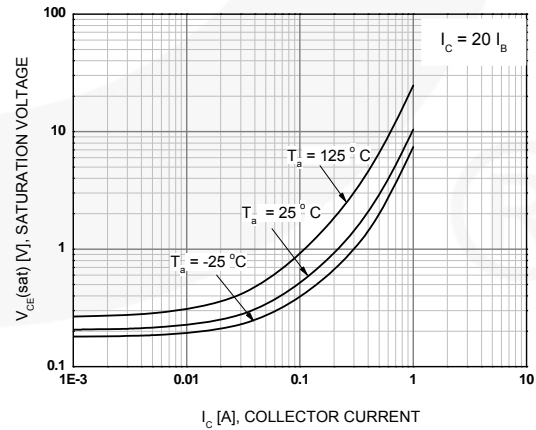


Figure 9. Collector-Emitter Saturation Voltage
 $h_{FE}=20$

Typical Performance Characteristics (Continued)

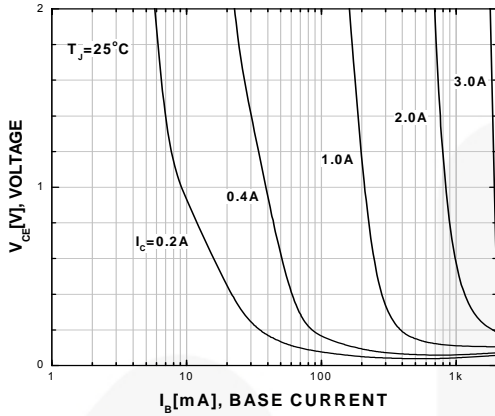


Figure 10. Typical Collector Saturation Voltage

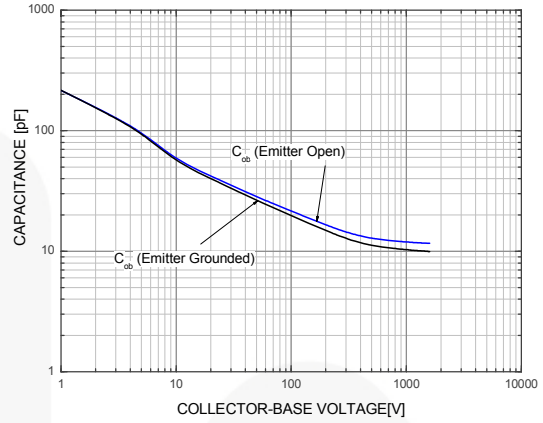


Figure 11. Capacitance

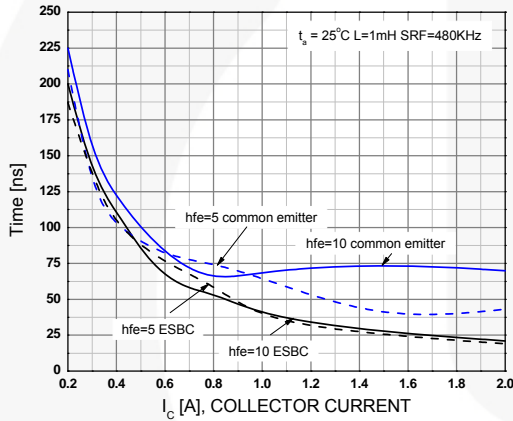


Figure 12. Inductive Load Collector Current Fall-time (t_f)

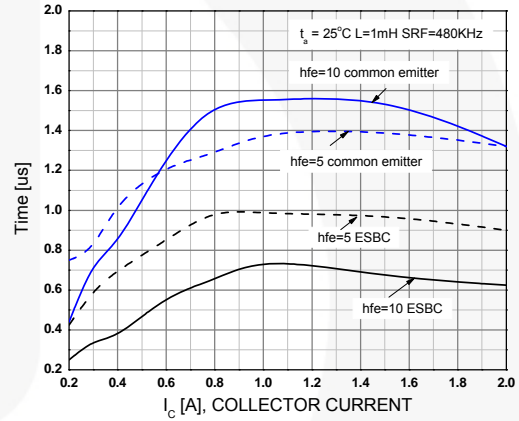


Figure 13. Inductive Load Collector Current Storage time (t_{stg})

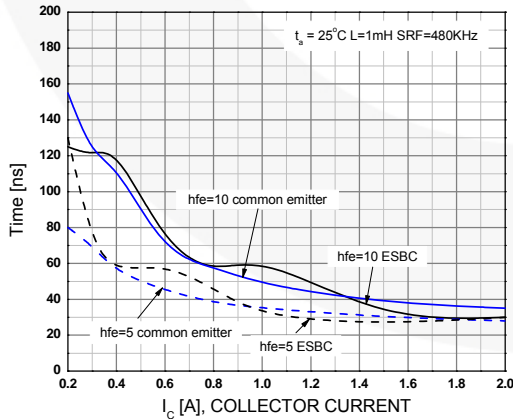


Figure 14. Inductive Load Collector Voltage Fall-time (t_f)

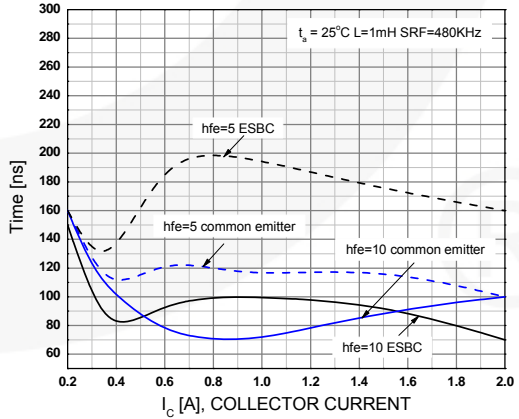


Figure 15. Inductive Load Collector Voltage Rise-time (t_r)

Typical Performance Characteristics (Continued)

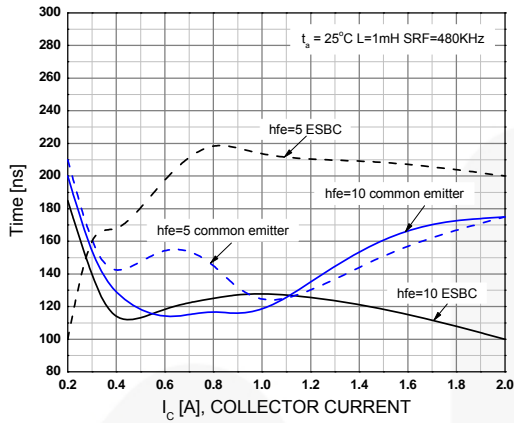


Figure 16. Inductive Load Collector Current/Voltage Crossover (t_c)

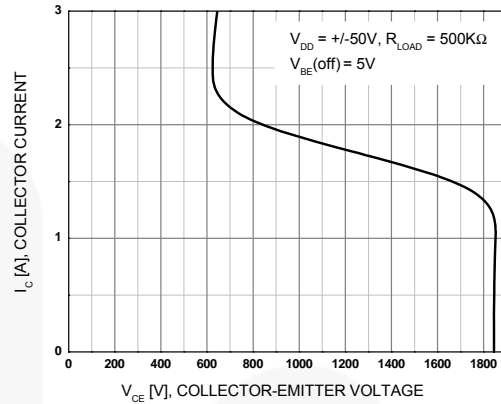


Figure 17. BJT Reverse Bias Safe Operating Area

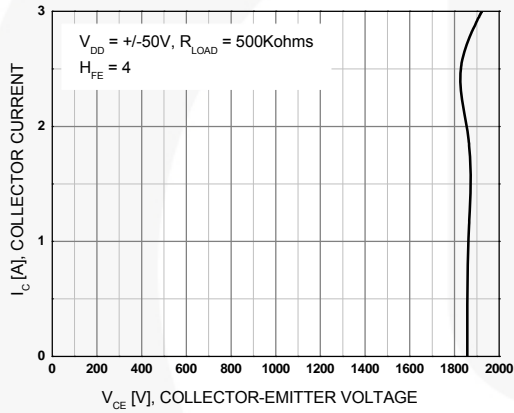


Figure 18. ESBC RBSOA

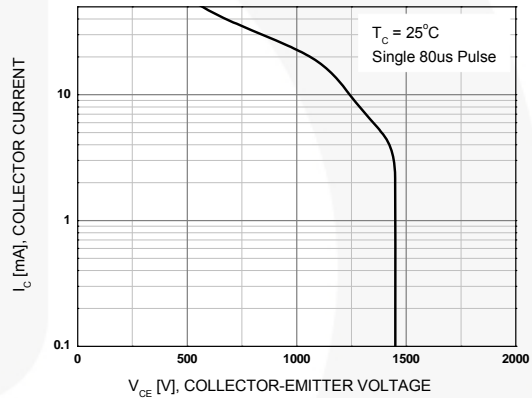


Figure 19. Crossover Forward Bias Safe Operating Area

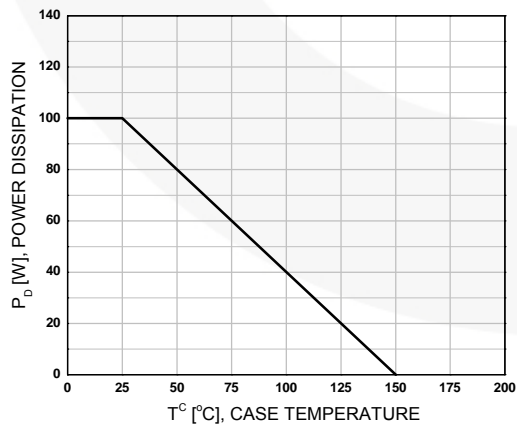


Figure 20. Power Derating

Test Circuits

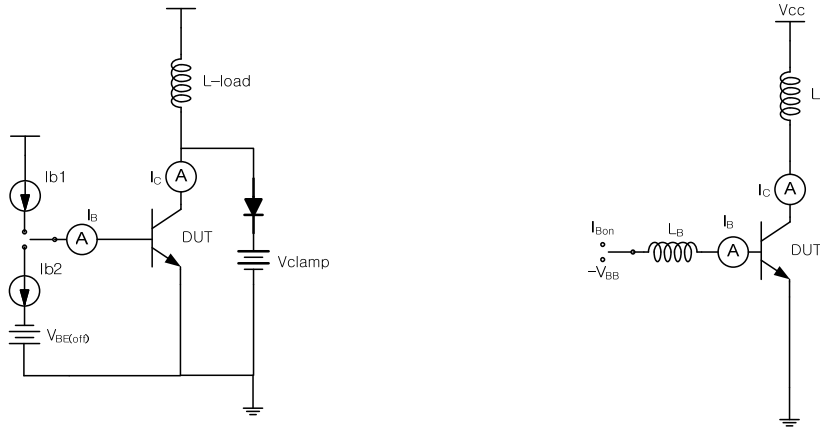


Figure 21. Test Circuit For Inductive Load and Reverse Bias Safe Operating

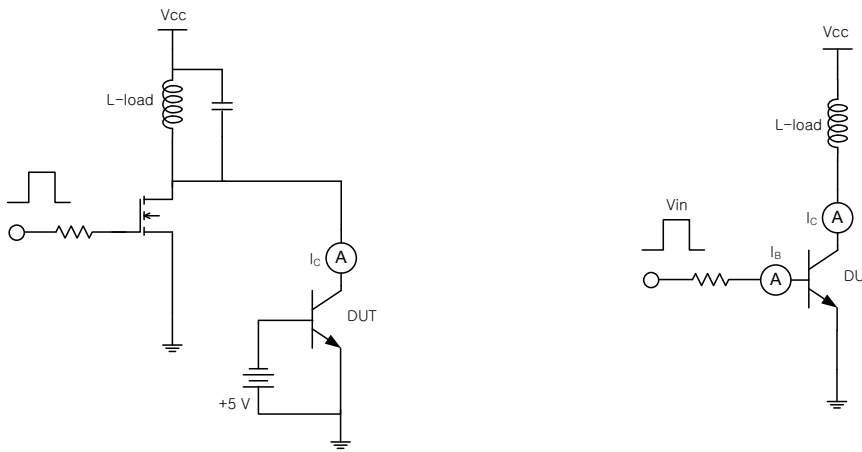


Figure 22. Energy Rating Test Circuit

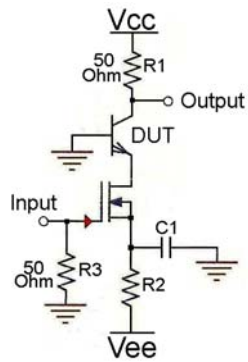


Figure 23. Ft Measurement

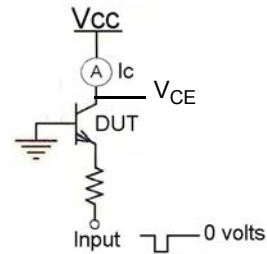


Figure 24. FBSOA

Test Circuits (Continued)

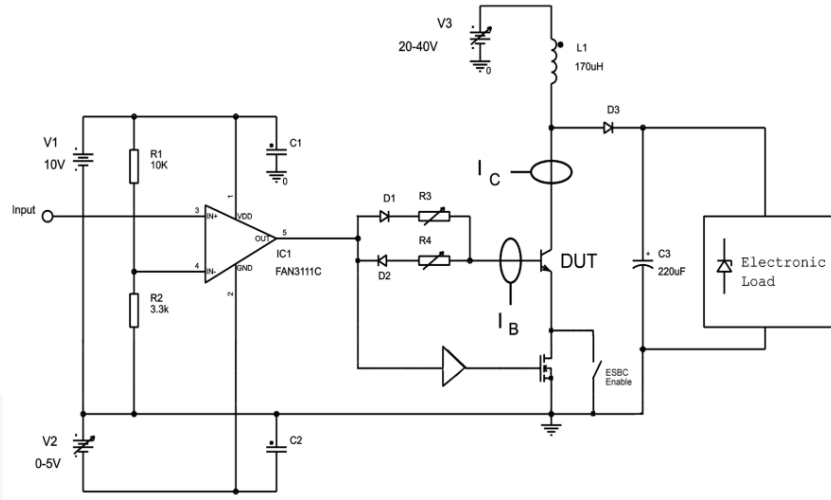


Figure 25. Simplified Saturated Switch Driver Circuit

Functional Test Waveforms

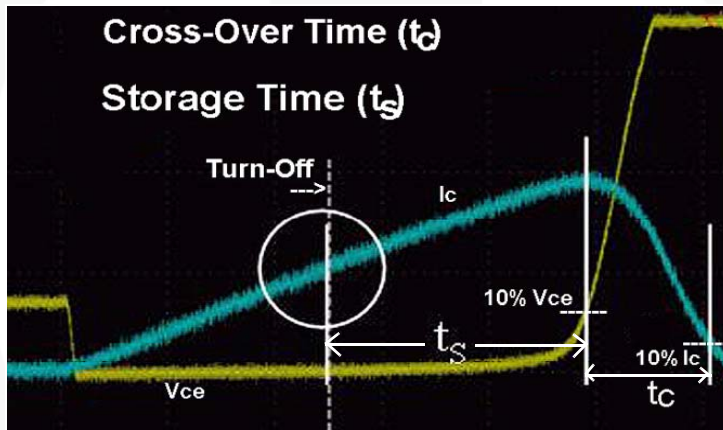


Figure 26. Crossover Time Measurement

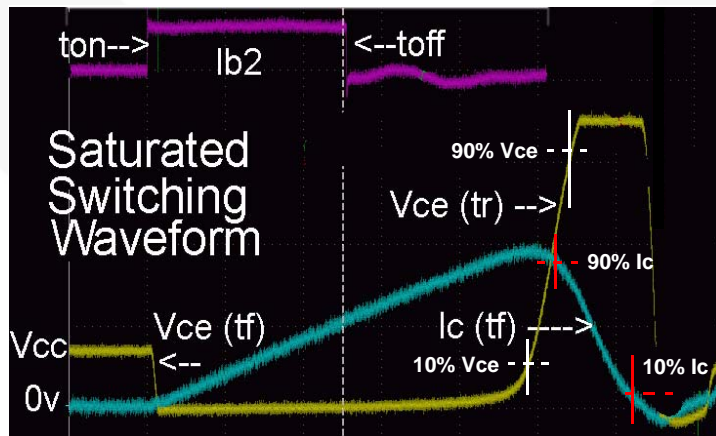


Figure 27. Saturated Switching Waveform

Functional Test Waveforms (Continued)

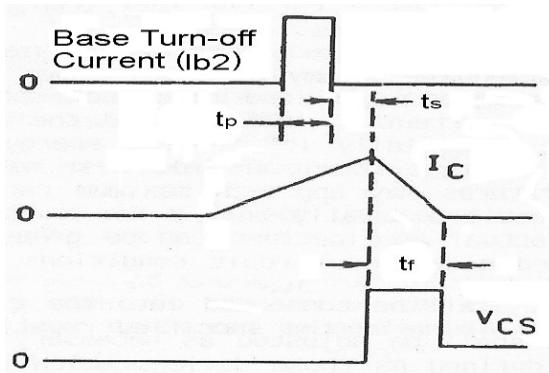


Figure 28. Storage Time - Common Emitter
Base turn off (I_{b2}) to I_c Fall-time

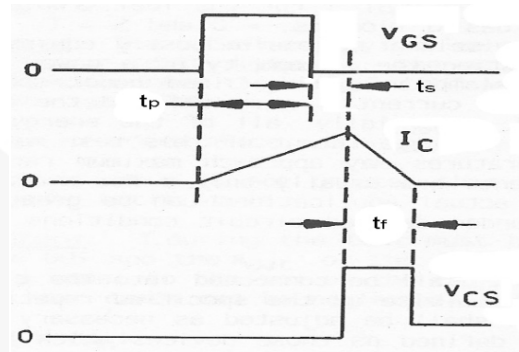
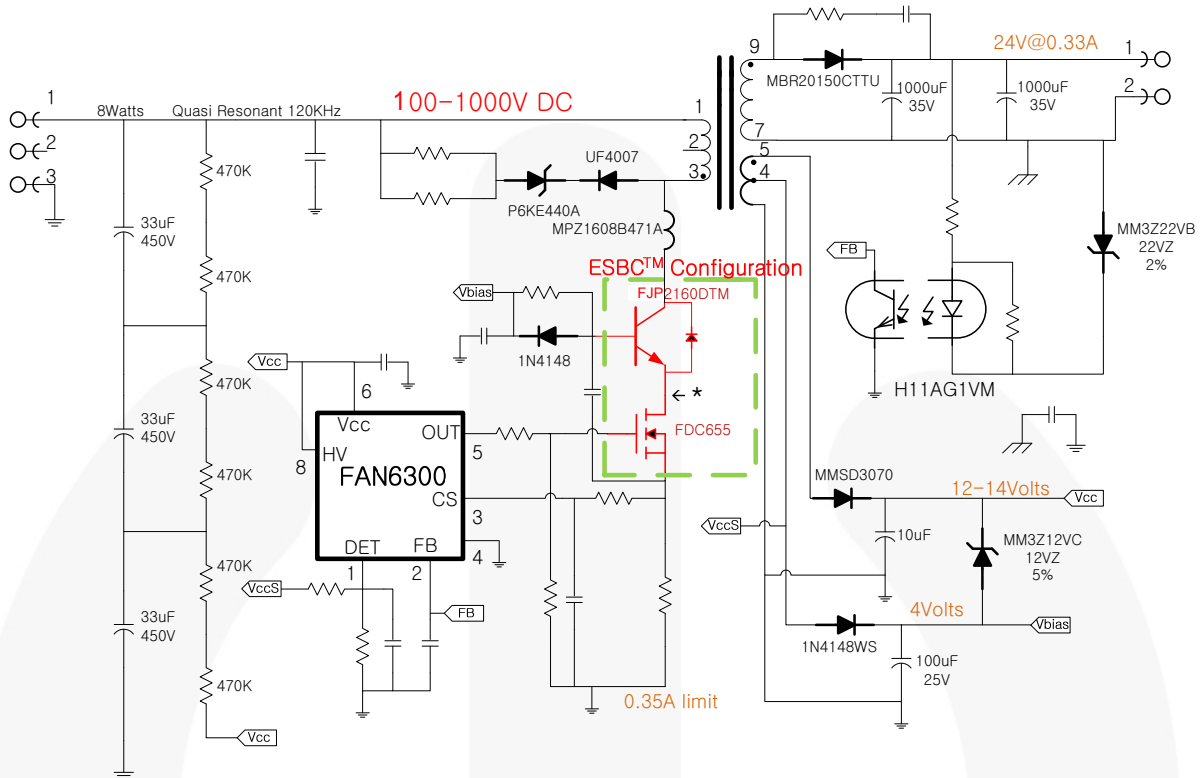


Figure 29. Storage Time - ESBC FET
Gate (off) to I_c Fall-time

Very Wide Input Voltage Range Supply

- 8watt; SecReg: 3 cap input; Quasi Resonant



* Make short as possible

Figure 30. Very Wide Input Voltage Range Supply

Driving ESBC Switches

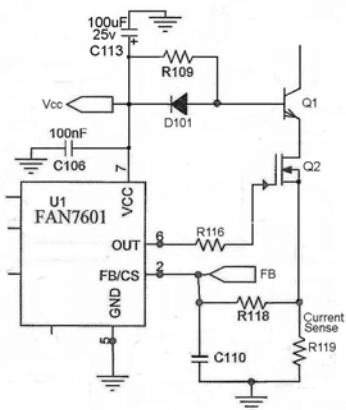


Figure 31. Vcc Derived

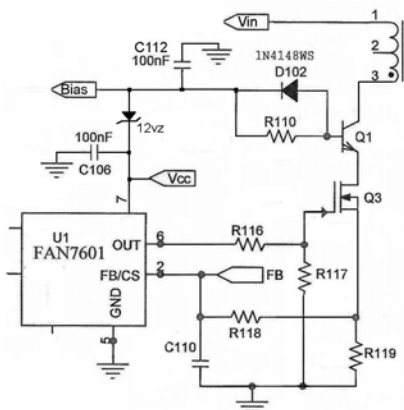


Figure 32. Vbias Supply Derived

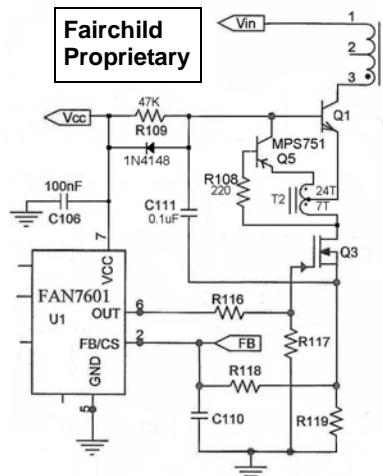


Figure 33. Proportional Drive



- NOTES:
- A) REFERENCE JEDEC, TO-220, VARIATION AB
 - B) ALL DIMENSIONS ARE IN MILLIMETERS.
 - C) DIMENSIONS COMMON TO ALL PACKAGE SUPPLIERS EXCEPT WHERE NOTED [].
 - D) LOCATION OF MOLDED FEATURE MAY VARY (LOWER LEFT CORNER, LOWER CENTER AND CENTER OF THE PACKAGE)
 - E) DOES NOT COMPLY JEDEC STANDARD VALUE.
 - F) "A1" DIMENSIONS AS BELOW:
 SINGLE GAUGE = 0.51 - 0.61
 DUAL GAUGE = 1.10 - 1.45
 - G) DRAWING FILE NAME: TO220B03REV9
 - H) PRESENCE IS SUPPLIER DEPENDENT
 - I) SUPPLIER DEPENDENT MOLD LOCKING HOLES IN HEATSINK.

ON Semiconductor and  are trademarks of Semiconductor Components Industries, LLC dba ON Semiconductor or its subsidiaries in the United States and/or other countries. ON Semiconductor owns the rights to a number of patents, trademarks, copyrights, trade secrets, and other intellectual property. A listing of ON Semiconductor's product/patent coverage may be accessed at www.onsemi.com/site/pdf/Patent-Marking.pdf. ON Semiconductor reserves the right to make changes without further notice to any products herein. ON Semiconductor makes no warranty, representation or guarantee regarding the suitability of its products for any particular purpose, nor does ON Semiconductor assume any liability arising out of the application or use of any product or circuit, and specifically disclaims any and all liability, including without limitation special, consequential or incidental damages. Buyer is responsible for its products and applications using ON Semiconductor products, including compliance with all laws, regulations and safety requirements or standards, regardless of any support or applications information provided by ON Semiconductor. "Typical" parameters which may be provided in ON Semiconductor data sheets and/or specifications can and do vary in different applications and actual performance may vary over time. All operating parameters, including "Typicals" must be validated for each customer application by customer's technical experts. ON Semiconductor does not convey any license under its patent rights nor the rights of others. ON Semiconductor products are not designed, intended, or authorized for use as a critical component in life support systems or any FDA Class 3 medical devices or medical devices with a same or similar classification in a foreign jurisdiction or any devices intended for implantation in the human body. Should Buyer purchase or use ON Semiconductor products for any such unintended or unauthorized application, Buyer shall indemnify and hold ON Semiconductor and its officers, employees, subsidiaries, affiliates, and distributors harmless against all claims, costs, damages, and expenses, and reasonable attorney fees arising out of, directly or indirectly, any claim of personal injury or death associated with such unintended or unauthorized use, even if such claim alleges that ON Semiconductor was negligent regarding the design or manufacture of the part. ON Semiconductor is an Equal Opportunity/Affirmative Action Employer. This literature is subject to all applicable copyright laws and is not for resale in any manner.

PUBLICATION ORDERING INFORMATION

LITERATURE FULFILLMENT:

Literature Distribution Center for ON Semiconductor
19521 E. 32nd Pkwy, Aurora, Colorado 80011 USA
Phone: 303-675-2175 or 800-344-3860 Toll Free USA/Canada
Fax: 303-675-2176 or 800-344-3867 Toll Free USA/Canada
Email: orderlit@onsemi.com

N. American Technical Support: 800-282-9855 Toll Free
USA/Canada
Europe, Middle East and Africa Technical Support:
Phone: 421 33 790 2910
Japan Customer Focus Center
Phone: 81-3-5817-1050

ON Semiconductor Website: www.onsemi.com
Order Literature: <http://www.onsemi.com/orderlit>
For additional information, please contact your local
Sales Representative

X-ON Electronics

Largest Supplier of Electrical and Electronic Components

Click to view similar products for [Bipolar Transistors - BJT category](#):

Click to view products by [ON Semiconductor manufacturer](#):

Other Similar products are found below :

[619691C](#) [MCH4017-TL-H](#) [BC546/116](#) [BC557/116](#) [BSW67A](#) [NTE158](#) [NTE187A](#) [NTE195A](#) [NTE2302](#) [NTE2330](#) [NTE63](#) [C4460](#)
[2SA1419T-TD-H](#) [2SA1721-O\(TE85L,F\)](#) [2SA2126-E](#) [2SB1204S-TL-E](#) [2SC5488A-TL-H](#) [2SD2150T100R](#) [SP000011176](#) [FMMTA92QTA](#)
[2N2369ADCSM](#) [2SC2412KT146S](#) [2SC5490A-TL-H](#) [2SD1816S-TL-E](#) [2SD1816T-TL-E](#) [CMXT2207 TR](#) [CPH6501-TL-E](#) [MCH4021-TL-E](#)
[US6T6TR](#) [732314D](#) [CMXT3906 TR](#) [CPH3121-TL-E](#) [CPH6021-TL-H](#) [873787E](#) [UMX21NTR](#) [EMT2T2R](#) [MCH6102-TL-E](#) [FP204-TL-E](#)
[NJL0302DG](#) [2N3583](#) [2SA1434-TB-E](#) [2SC3143-4-TB-E](#) [2SD1621S-TD-E](#) [NTE103](#) [30A02MH-TL-E](#) [NSV40301MZ4T1G](#) [NTE101](#) [NTE13](#)
[NTE15](#) [NTE16001](#)