



### 1.0 Features

- Just-in-time customization of clock frequencies via internal non-volatile 128-bit serial EEPROM
- I<sup>2</sup>C™-bus serial interface
- Three on-chip PLLs with programmable reference and feedback dividers
- Four independently programmable muxes and post dividers
- Programmable power-down of all PLLs and output clock drivers
- Tristate outputs for board testing
- One PLL and two mux/post-divider combinations can be modified via SEL\_CD input
- 5 V to 3.3 V operation
- Accepts 5 MHz to 27 MHz crystal resonators

### 2.0 Description

The FS6370 is a CMOS clock generator IC designed to minimize cost and component count in a variety of electronic systems. Three EEPROM-programmable phase-locked loops (PLLs) driving four programmable muxes and post dividers provide a high degree of flexibility.

An internal EEPROM permits just-in-time factory programming of devices for end user requirements.

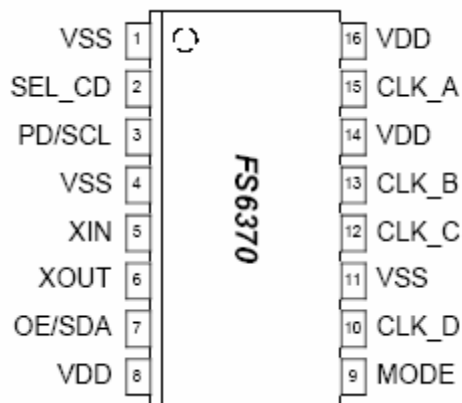


Figure 1: Pin Configuration

# FS6370

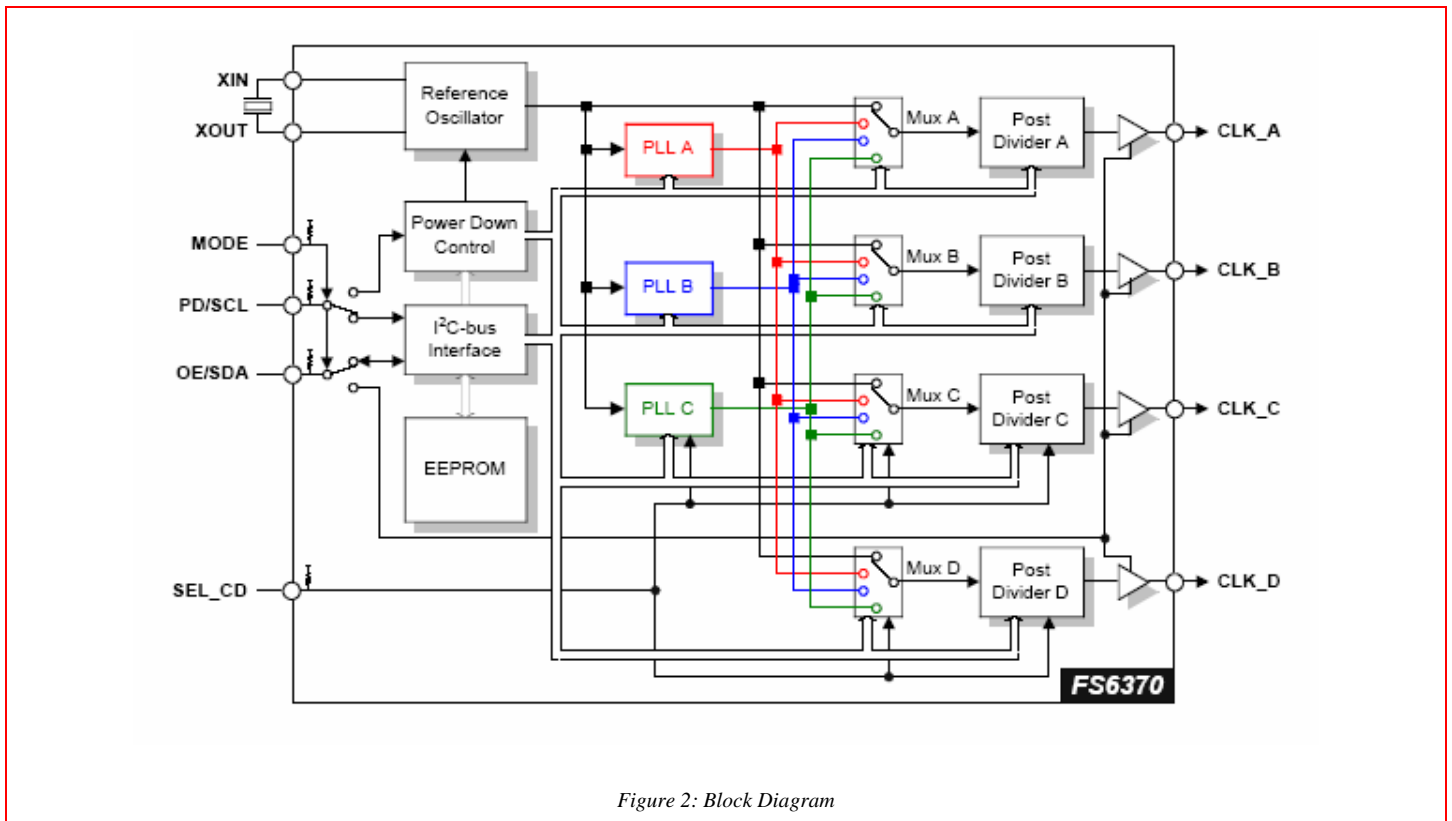


Figure 2: Block Diagram

Table 1: Pin Descriptions

| Pin | Type              | Name   | Description   |
|-----|-------------------|--------|---|
| 1   | P                 | VSS    | Ground  |
| 2   | DI <sup>U</sup>   | SEL_CD | Selects one of two programmed PLL C, Mux C/D and post divider C/D combinations      |
| 3   | DI <sup>U</sup>   | PD/SCL | Power-down input (run-mode) or serial interface clock input (program mode)          |
| 4   | P                 | VSS    | Ground  |
| 5   | AI                | XIN    | Crystal oscillator feedback   |
| 6   | AO                | XOUT   | Crystal oscillator drive  |
| 7   | DI <sup>U</sup> O | OE/SDA | Output enable input (run mode) or serial interface data input/output (program mode) |
| 8   | P                 | VDD    | Power supply (5 V to 3.3 V)   |
| 9   | DI <sup>U</sup>   | MODE   | Selects either program mode (low) or run mode (high)                                |
| 10  | DO                | CLK_D  | D clock output  |
| 11  | P                 | VSS    | Ground  |
| 12  | DO                | CLK_C  | C clock output  |
| 13  | DO                | CLK_B  | B clock output  |
| 14  | P                 | VDD    | Power supply (5 V to 3.3 V)   |
| 15  | DO                | CLK_A  | A clock output  |
| 16  | P                 | VDD    | Power supply (5 V to 3.3 V)   |

Key: AI = Analog Input; AO = Analog Output; DI = Digital Input; DI<sup>U</sup> = Input with Internal Pull-Up; DI<sub>D</sub> = Input with Internal Pull-Down; DIO = Digital Input/Output; DI-3 = Three-Level Digital Input; DO = Digital Output; P = Power/Ground; # = Active Low pin

## 3.0 Functional Block Description

### 3.1 Phase Locked Loops (PLLs)

Each of the three on-chip PLLs is a standard phase- and frequency-locked loop architecture that multiplies a reference frequency to a desired frequency by a ratio of integers. This frequency multiplication is exact.

As shown in Figure 3, each PLL consists of a reference divider, a phase-frequency detector (PFD), a charge pump, an internal loop filter, a voltage-controlled oscillator (VCO), and a feedback divider.

During operation, the reference frequency ( $f_{REF}$ ), generated by the on-board crystal oscillator, is first reduced by the reference divider. The divider value is often referred to as the modulus, and is denoted as  $N_R$  for the reference divider. The divided reference is fed into the PFD.

The PFD controls the frequency of the VCO ( $f_{VCO}$ ) through the charge pump and loop filter. The VCO provides a high-speed, low noise, continuously variable frequency clock source for the PLL. The output of the VCO is fed back to the PFD through the feedback divider (the modulus is denoted by  $N_F$ ) to close the loop.

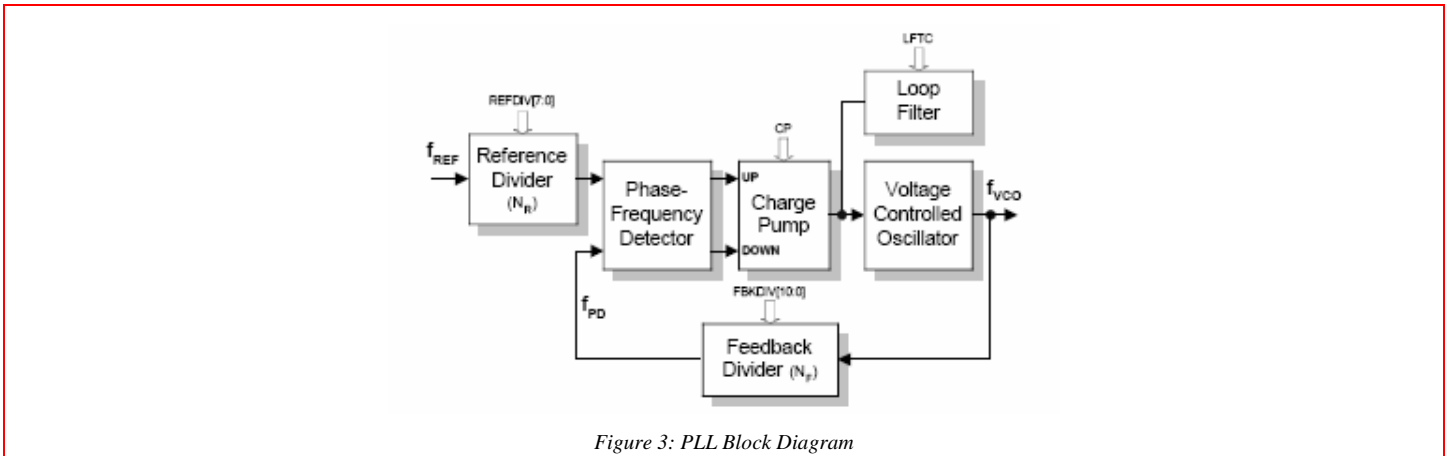


Figure 3: PLL Block Diagram

The PFD will drive the VCO up or down in frequency until the divided reference frequency and the divided VCO frequency appearing at the inputs of the PFD are equal. The input/output relationship between the reference frequency and the VCO frequency is:

$$f_{VCO} = f_{REF} \left( \frac{N_F}{N_R} \right)$$

#### 3.1.1. Reference Divider

The reference divider is designed for low phase jitter. The divider accepts the output of the reference oscillator and provides a divided-down frequency to the PFD. The reference divider is an 8-bit divider, and can be programmed for any modulus from 1 to 255 by programming the equivalent binary value. A divide-by-256 can also be achieved by programming the eight bits to 00h.

#### 3.1.2. Feedback Divider

The feedback divider is based on a dual-modulus pre-scaler technique. The technique allows the same granularity as a fully programmable feedback divider, while still allowing the programmable portion to operate at low speed. A high-speed pre-divider (also called a pre-scaler) is placed between the VCO and the programmable feedback divider because of the high speeds at which the VCO can operate. The dual-modulus technique insures reliable operation at any speed that the VCO can achieve and reduces the overall power consumption of the divider.

For example, a fixed divide-by-eight pre-scaler could have been used in the feedback divider. Unfortunately, a divide-by-eight would limit the effective modulus of the entire feedback divider to multiples of eight. This limitation would restrict the ability of the PLL to

# FS6370

achieve a desired input-frequency-to-output-frequency ratio without making both the reference and feedback divider values comparatively large. Generally, very large values are undesirable as they degrade the bandwidth of the PLL, increasing phase jitter and acquisition time.

To understand the operation of the feedback divider, refer to Figure 4. The M-counter (with a modulus always equal to M) is cascaded with the dual-modulus pre-scaler. The A-counter controls the modulus of the pre-scaler. If the value programmed into the A-counter is A, the pre-scaler will be set to divide by N+1 for A pre-scaler outputs. Thereafter, the pre-scaler divides by N until the M-counter output resets the A-counter, and the cycle begins again. Note that N=8, and A and M are binary numbers.

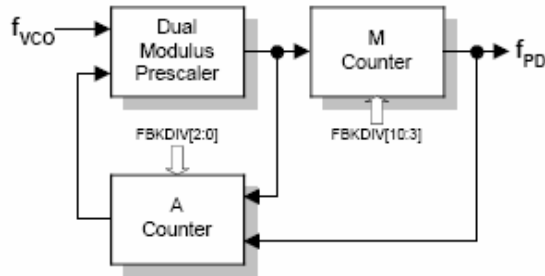


Figure 4: Feedback Divider

Suppose that the A-counter is programmed to zero. The modulus of the pre-scaler will always be fixed at N; and the entire modulus of the feedback divider becomes MxN.

Next, suppose that the A-counter is programmed to a one. This causes the pre-scaler to switch to a divide-by-N+1 for its first divide cycle and then revert to a divide-by-N. In effect, the A-counter absorbs (or "swallows") one extra clock during the entire cycle of the feedback divider. The overall modulus is now seen to be equal to MxN+1.

This example can be extended to show that the feedback divider modulus is equal to MxN+A, where A<M.

### 3.1.3. Feedback Divider Programming

For proper operation of the feedback divider, the A-counter must be programmed only for values that are less than or equal to the M-counter. Therefore, not all divider moduli below 56 are available for use. This is shown in Table 2.

Above a modulus of 56, the feedback divider can be programmed to any value up to 2047.

Table 2: Feedback Divider Modulus Under 56

| M-Counter:<br>FBKDIV[10:3]      | A-Counter: FBKDIV[2:0] |     |     |     |     |     |     |     |
|---------------------------------|------------------------|-----|-----|-----|-----|-----|-----|-----|
|                                 | 000                    | 001 | 010 | 011 | 100 | 101 | 110 | 111 |
| 00000001                        | 8                      | 9   | -   | -   | -   | -   | -   | -   |
| 00000010                        | 16                     | 17  | 18  | -   | -   | -   | -   | -   |
| 00000011                        | 24                     | 25  | 26  | 27  | -   | -   | -   | -   |
| 00000100                        | 32                     | 33  | 34  | 35  | 36  | -   | -   | -   |
| 00000101                        | 40                     | 41  | 42  | 43  | 44  | 45  | -   | -   |
| 00000110                        | 48                     | 49  | 50  | 51  | 52  | 53  | 54  | -   |
| 00000111                        | 56                     | 57  | 58  | 59  | 60  | 61  | 62  | 63  |
| <b>Feedback Divider Modulus</b> |                        |     |     |     |     |     |     |     |

### 3.2 Post Divider Muxes

As shown in Figure 2, a mux in front of each post divider stage can select from any one of the three PLL frequencies or the reference frequency. The mux selection is controlled by bits in the EEPROM or the control registers.

The input frequency on two of the four multiplexers (muxes C and D in Figure 2) can be altered without reprogramming by a logic-level input on the SEL\_CD pin.

# FS6370

## 3.3 Post Dividers

A post divider performs several useful functions. First, it allows the VCO to be operated in a narrower range of speeds compared to the variety of output clock speeds that the device is required to generate. Second, it changes the basic PLL equation to:

$$f_{CLK} = f_{REF} \left( \frac{N_F}{N_R} \right) \left( \frac{1}{N_P} \right)$$

where NP is the post divider modulus. The extra integer in the denominator permits more flexibility in the programming of the loop for many applications where frequencies must be achieved exactly.

The modulus on two of the four post dividers (post dividers C and D in Figure 2) can be altered without reprogramming by a logic level on the SEL\_CD pin.

## 4.0 Device Operation

---

The FS6370 has two modes of operation:

- Program mode: during which either the EEPROM or the FS6370 control registers can be programmed directly with the desired PLL settings
- Run mode: where the PLL settings stored the EEPROM are transferred to the FS6370 control registers on power-up, and the device then operates based on those settings

Note that the EEPROM locations are not physically the same registers used to control the FS6370.

Direct access to either the EEPROM or the FS6370 control registers is achieved in program mode. The EEPROM register contents are automatically transferred to the FS6370 control registers in normal device operation (run mode).

### 4.1 MODE Pin

The MODE pin controls the mode of operation. A logic-low places the FS6370 in program mode. A logic-high puts the device in run mode. A pull-up on this pin defaults the device into run mode.

Reprogramming of either the control registers or the EEPROM is permitted at any time if the MODE pin is a logic-low.

Note, however, that a logic-high state on the MODE pin is latched so that only one transfer of EEPROM data to the FS6370 control registers can occur. If a second transfer of EEPROM data into the FS6370 is desired, power (VDD) must be removed and reapplied to the device.

The MODE pin also controls the function of the PD/SCL and OE/SDA pins. In run mode, these two pins function as power-down (PD) and output enable (OE) controls. In program mode, the pins function as the I<sup>2</sup>C interface for clock (SCL) and data (SDA).

### 4.2 SEL\_CD Pin

The SEL\_CD pin provides a way to alter the operation of PLL C, muxes C and D, and post dividers C and D without having to reprogram the device. A logic-low on the SEL\_CD pin selects the control bits with a "C1" or "D1" notation, per Table 3. A logic-high on the SEL\_CD pin selects the control bits with "C2" or "D2" notation, per Table 3.

Note that changing between two running frequencies using the SEL\_CD pin may produce glitches in the output, especially if the post-divider(s) is/are altered.

### 4.3 Oscillator Overdrive

For applications where an external reference clock is provided (and the crystal oscillator is not required), the reference clock should be connected to XOUT and XIN must be left unconnected (float).

# FS6370

For best results, make sure the reference clock signal is as jitter-free as possible, can drive a 40 pF load with fast rise and fall times, and can swing rail-to-rail.

If the reference clock is not a rail-to-rail signal, the reference must be AC coupled to XOUT through a 0.01  $\mu$ F or 0.1  $\mu$ F capacitor. A minimum 1 V peak-to-peak signal is required to drive the internal differential oscillator buffer.

## 5.0 Run Mode

---

If the MODE pin is set to a logic-high, the device enters the run mode. The high state is latched (see MODE pin). The FS6370 then copies the stored EEPROM data into its control registers and begins normal operation based on that data when the self-load is complete.

The self-load process takes about 89,000 clocks of the crystal oscillator. During the self-load time, all clock outputs are held low. At a reference frequency of 27 MHz, the self-load takes about 3.3ms to complete.

If the EEPROM is empty (all zeros), the crystal reference frequency provides the clock for all four outputs.

No external programming access to the FS6370 is possible in run mode. The dual-function PD/SCL and OE/SDA pins become a power-down (PD) and output enable (OE) control, respectively.

### 5.1 Power-Down and Output Enable

A logic-high on the PD/SCL pin powers down only those portions of the FS6370 which have their respective power-down control bits enabled. Note that the PD/SCL pin has an internal pull-up.

When a post divider is powered down, the associated output driver is forced low. When all PLLs and post dividers are powered down the crystal oscillator is also powered down. The XIN pin is forced low, and the XOUT pin is pulled high.

A logic-low on the OE/SDA pin tristates all output clocks. Note that this pin has an internal pull-up.

## 6.0 Program Mode

---

If the MODE pin is logic-low, the device enters the program mode. All internal registers are cleared to zero, delivering the crystal frequency to all outputs. The device allows programming of either the internal 128-bit EEPROM or the on-chip control registers via I<sup>2</sup>C control over the PD/SCL and OE/SDA pins. The EEPROM and the FS6370 act as two separate parallel devices on the same on-chip I<sup>2</sup>C-bus. Choosing either the EEPROM or the device control registers is done via the I<sup>2</sup>C device address.

The dual-function PD/SCL and OE/SDA pins become the serial data I/O (SDA) and serial clock input (SCL) for normal I<sup>2</sup>C communications. Note that power-down and output enable control via the PD/SCL and OE/SDA pins is not available.

### 6.1 EEPROM Programming

Data must be loaded into the EEPROM in a most-significant-bit (MSB) to least-significant-bit (LSB) order. The register map of the EEPROM is noted in Table 3.

The device address of the EEPROM is:

| A6 | A5 | A4 | A3 | A2 | A1 | A0 |
|----|----|----|----|----|----|----|
| 1  | 0  | 1  | 0  | X  | X  | X  |

#### 6.1.1. Write Operation

The EEPROM can only be written to with the random register write procedure (see Section 8.2.2). The procedure consists of the device address, the register address, a R/W bit, and one byte of data.

Following the STOP condition, the EEPROM initiates its internally timed 4ms write cycle, and commits the data byte to memory. No acknowledge signals are generated during the EEPROM internal write cycle.

# FS6370

If a stop bit is transmitted before the entire write command sequence is complete, then the command is aborted and no data is written to memory. If more than eight bits are transmitted before the stop bit is sent, then the EEPROM will clear the previously loaded data byte and will begin loading the data buffer again.

## 6.1.2. Acknowledge Polling

The EEPROM does not acknowledge while it internally commits data to memory. This feature can be used to increase data throughput by determining when the internal write cycle is complete.

The process is to initiate the random register write procedure with a START condition, the EEPROM device address, and the write command bit (R/W=0).

If the EEPROM has completed its internal 4 ms write cycle, the EEPROM will acknowledge on the next clock, and the write command can continue.

If the EEPROM has not completed the internal 4 ms write cycle, the random register write procedure must be restarted by sending the START condition, device address and R/W bit. This sequence must be repeated until the EEPROM acknowledges.

## 6.1.3. Read Operation

The EEPROM supports both the random register read procedure and the sequential register read procedure (both are outlined in Section 6).

For sequential read operations, the EEPROM has an internal address pointer that increments by one at the end of each read operation. The pointer directs the EEPROM to transmit the next sequentially addressed data byte, allowing the entire memory contents to be read in one operation.

## 6.2 Direct Register Programming

The FS6370 control registers may be directly accessed by simply using the FS6370 device address in the read or write operations. The operation of the device will follow the register values. The register map of the FS6370 is identical to that of the EEPROM shown in Table 3.

The FS6370 supports the random read and write procedures, as well as the sequential read and write procedures described in Section 8.

The device address for the FS6370 is:

| A6 | A5 | A4 | A3 | A2 | A1 | A0 |
|----|----|----|----|----|----|----|
| 1  | 0  | 1  | 1  | 1  | 0  | 0  |

## 7.0 Cost Reduction Migration Path

---

The FS6370 is compatible with the programmable register-based FS6377 or a fixed-frequency ROM-based clock generator. Attention should be paid to the board layout if a migration path to either of these devices is desired.

### 7.1 Programming Migration Path

If the design can support I<sup>2</sup>C programming overhead, a cost reduction from the EEPROM-based FS6370 to the register-based FS6377 is possible.

Figure 5 shows the five pins that may not be compatible between the various devices if programming of the FS6370 or the FS6377 is desired.

# FS6370

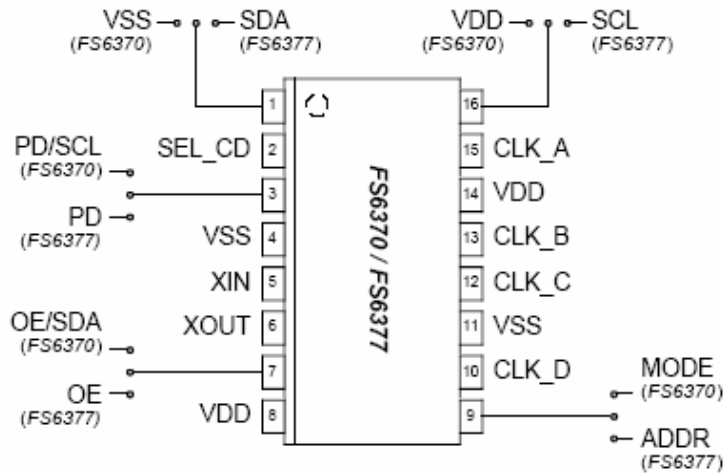


Figure 5: FS6370 to FS6377

## 7.2 Non-Programming Migration Path

If the design has solidified on a particular EEPROM programming pattern, the EEPROM pattern can be hard-coded into a ROM-based device. For high-volume requirements, a ROM-based device offers significant cost savings over the FS6370. Contact an ON Semiconductor sales representative for more detail.

## 8.0 I<sup>2</sup>C-bus Control Interface



This device is a read/write slave device meeting all Philips I<sup>2</sup>C-bus specifications except a "general call." The bus has to be controlled by a master device that generates the serial clock SCL, controls bus access and generates the START and STOP conditions while the device works as a slave. Both master and slave can operate as a transmitter or receiver, but the master device determines which mode is activated. A device that sends data onto the bus is defined as the transmitter, and a device receiving data as the receiver.

I<sup>2</sup>C-bus logic levels noted herein are based on a percentage of the power supply ( $V_{DD}$ ). A logic-one corresponds to a nominal voltage of  $V_{DD}$ , while a logic-low corresponds to ground ( $V_{SS}$ ).

### 8.1 Bus Conditions

Data transfer on the bus can only be initiated when the bus is not busy. During the data transfer, the data line (SDA) must remain stable whenever the clock line (SCL) is high. Changes in the data line while the clock line is high will be interpreted by the device as a START or STOP condition. The following bus conditions are defined by the I<sup>2</sup>C-bus protocol.

#### 8.1.1. Not Busy

Both the data (SDA) and clock (SCL) lines remain high to indicate the bus is not busy.

#### 8.1.2. START Data Transfer

A high to low transition of the SDA line while the SCL input is high indicates a START condition. All commands to the device must be preceded by a START condition.



# FS6370

## 8.1.3. STOP Data Transfer

A low to high transition of the SDA line while SCL is held high indicates a STOP condition. All commands to the device must be followed by a STOP condition.

## 8.1.4. Data Valid

The state of the SDA line represents valid data if the SDA line is stable for the duration of the high period of the SCL line after a START condition occurs. The data on the SDA line must be changed only during the low period of the SCL signal. There is one clock pulse per data bit.

Each data transfer is initiated by a START condition and terminated with a STOP condition. The number of data bytes transferred between START and STOP conditions is determined by the master device, and can continue indefinitely. However, data that is overwritten to the device after the first 16 bytes will overflow into the first register, then the second, and so on, in a first-in, first-overwritten fashion.

## 8.1.5. Acknowledge

When addressed, the receiving device is required to generate an acknowledge after each byte is received. The master device must generate an extra clock pulse to coincide with the acknowledge bit. The acknowledging device must pull the SDA line low during the high period of the master acknowledge clock pulse. Setup and hold times must be taken into account.

The master must signal an end of data to the slave by not generating an acknowledge bit on the last byte that has been read (clocked) out of the slave. In this case, the slave must leave the SDA line high to enable the master to generate a STOP condition.

## 8.2 I<sup>2</sup>C-bus Operation

All programmable registers can be accessed randomly or sequentially via this bi-directional two wire digital interface. The device accepts the following I<sup>2</sup>C-bus commands.

### 8.2.1. Device Address

After generating a START condition, the bus master broadcasts a seven-bit device address followed by a R/W bit.

The device address of the FS6370 is:

| A6 | A5 | A4 | A3 | A2 | A1 | A0 |
|----|----|----|----|----|----|----|
| 1  | 0  | 1  | 1  | 1  | 0  | 0  |

Any one of eight possible addresses are available for the EEPROM. The least significant three bits are don't care's.

| A6 | A5 | A4 | A3 | A2 | A1 | A0 |
|----|----|----|----|----|----|----|
| 1  | 0  | 1  | 0  | X  | X  | X  |

### 8.2.2. Random Register Write Procedure

Random write operations allow the master to directly write to any register. To initiate a write procedure, the R/W bit that is transmitted after the seven-bit device address is a logic-low. This indicates to the addressed slave device that a register address will follow after the slave device acknowledges its device address. The register address is written into the slave's address pointer. Following an acknowledge by the slave, the master is allowed to write eight bits of data into the addressed register. A final acknowledge is returned by the device, and the master generates a STOP condition.

If either a STOP or a repeated START condition occurs during a register write, the data that has been transferred is ignored.

### 8.2.3. Random Register Read Procedure

Random read operations allow the master to directly read from any register. To perform a read procedure, the R/W bit that is transmitted after the seven-bit address is a logic-low, as in the register write procedure. This indicates to the addressed slave device that a register address will follow after the slave device acknowledges its device address. The register address is then written into the slave's address pointer.

# FS6370

Following an acknowledge by the slave, the master generates a repeated START condition. The repeated START terminates the write procedure, but not until after the slave's address pointer is set. The slave address is then resent, with the R/W bit set this time to a logic-high, indicating to the slave that data will be read. The slave will acknowledge the device address, and then transmits the eight-bit word. The master does not acknowledge the transfer but does generate a STOP condition.

## *8.2.4. Sequential Register Write Procedure*

Sequential write operations allow the master to write to each register in order. The register pointer is automatically incremented after each write. This procedure is more efficient than the random register write if several registers must be written.

To initiate a write procedure, the R/W bit that is transmitted after the seven-bit device address is a logic-low. This indicates to the addressed slave device that a register address will follow after the slave device acknowledges its device address. The register address is written into the slave's address pointer. Following an acknowledge by the slave, the master is allowed to write up to 16 bytes of data into the addressed register before the register address pointer overflows back to the beginning address. An acknowledge by the device between each byte of data must occur before the next data byte is sent.

Registers are updated every time the device sends an acknowledge to the host. The register update does not wait for the STOP condition to occur. Registers are therefore updated at different times during a sequential register write.

## *8.2.5. Sequential Register Read Procedure*

Sequential read operations allow the master to read from each register in order. The register pointer is automatically incremented by one after each read. This procedure is more efficient than the random register read if several registers must be read.

To perform a read procedure, the R/W bit that is transmitted after the seven-bit address is a logic-low, as in the register write procedure. This indicates to the addressed slave device that a register address will follow after the slave device acknowledges its device address. The register address is then written into the slave's address pointer.

Following an acknowledge by the slave, the master generates a repeated START condition. The repeated START terminates the write procedure, but not until after the slave's address pointer is set. The slave address is then resent, with the R/W bit set this time to a logic-high, indicating to the slave that data will be read. The slave will acknowledge the device address, and then transmits all 16 bytes of data starting with the initial addressed register. The register address pointer will overflow if the initial register address is larger than zero. After the last byte of data, the master does not acknowledge the transfer but does generate a STOP condition.

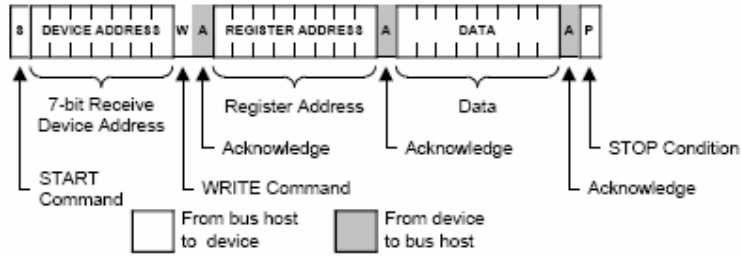


Figure 6: Random Register Write Procedure

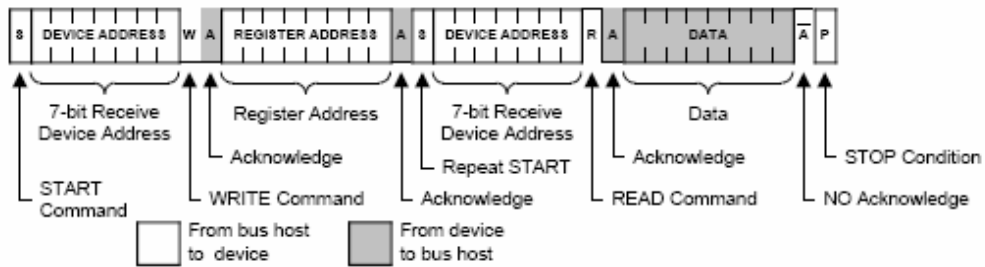


Figure 7: Random Register Read Procedure

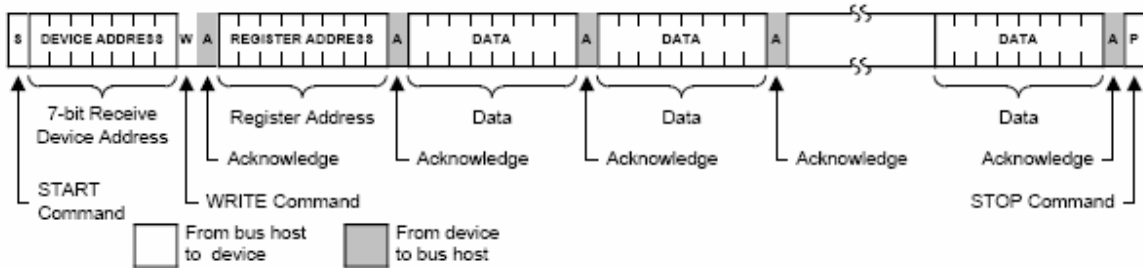


Figure 8: Sequential Register Write Procedure

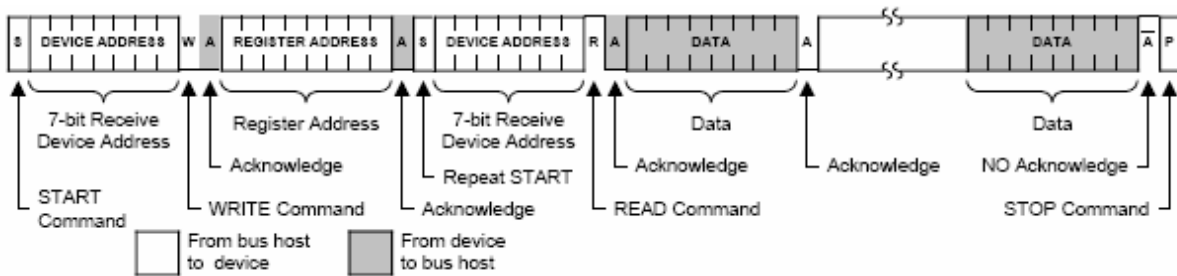


Figure 9: Sequential Register Read Procedure

## 9.0 Programming Information

Table 3: Register Map (Note: All register bits are cleared to zero on power-up)

| Address | Bit 7   | Bit 6 | Bit 5                                    | Bit 4                 | Bit 3                                     | Bit 2  | Bit 1    | Bit 0    |
|---------|---|-------|--|-----------------------|---|--|----------|----------|
| Byte 15 | MUX_D2[1:0]<br>(selected via SEL_CD = 1)                  |       | MUX_C2[1:0]<br>(selected via SEL_CD = 1) |                       | PDPOST_D                                  | PDPOST_C   | PDPOST_B | PDPOST_A |
| Byte 14 | POST_D2[3:0]<br>(selected via SEL_CD = 1)                 |       |  |                       | POST_C2[3:0]<br>(selected via SEL_CD = 1) |  |          |          |
| Byte 13 | POST_D1[3:0]<br>(selected via SEL_CD = 0)                 |       |  |                       | POST_C1[3:0]<br>(selected via SEL_CD = 0) |  |          |          |
| Byte 12 | POST_B[3:0]   |       |  |                       | POST_A[3:0]                               |  |          |          |
| Byte 11 | MUX_D1[1:0]<br>(selected via SEL_CD = 0)                  |       | Reserved (0)                             | LFTC_C2<br>(SEL_CD=1) | CP_C2<br>(SEL_CD=1)                       | FBKDIV_C2[10:8] M-Counter<br>(selected via SEL_CD pin = 1) |          |          |
| Byte 10 | FBKDIV_C2[7:3] M-Counter<br>(selected via SEL_CD pin = 1) |       |  |                       |   | FBKDIV_C2[2:0] A-Counter<br>(selected via SEL_CD pin = 1)  |          |          |
| Byte 9  | REFDIV_C2[7:0]<br>(selected via SEL_CD pin = 1)           |       |  |                       |   |  |          |          |
| Byte 8  | MUX_C1[1:0]<br>(selected via SEL_CD = 0)                  |       | PDPLL_C                                  | LFTC_C1<br>(SEL_CD=0) | CP_C1<br>(SEL_CD=0)                       | FBKDIV_C1[10:8] M-Counter<br>(selected via SEL_CD = 0)     |          |          |
| Byte 7  | FBKDIV_C1[7:3] M-Counter<br>(selected via SEL_CD = 0)     |       |  |                       |   | FBKDIV_C1[2:0] A-Counter<br>(selected via SEL_CD = 1)      |          |          |
| Byte 6  | REFDIV_C1[7:0]<br>(selected via SEL_CD = 0)               |       |  |                       |   |  |          |          |
| Byte 5  | MUX_B[1:0]  |       | PDPLL_B                                  | LFTC_B                | CP_B                                      | FBKDIV_B[10:8] M-Counter                                   |          |          |
| Byte 4  | FBKDIV_B[7:3] M-Counter                                   |       |  |                       |   | FBKDIV_B[2:0] A-Counter                                    |          |          |
| Byte 3  | REFDIV_B[7:0]   |       |  |                       |   |  |          |          |
| Byte 2  | MUX_A[1:0]  |       | PDPLL_A                                  | LFTC_A                | CP_A                                      | FBKDIV_A[10:8] M-Counter                                   |          |          |
| Byte 1  | FBKDIV_A[7:3] M-Counter                                   |       |  |                       |   | FBKDIV_A[2:0] A-Counter                                    |          |          |
| Byte 0  | REFDIV_A[7:0]   |       |  |                       |   |  |          |          |

### 9.1 Control Bit Assignments

If any PLL control bit is altered during device operation, including those bits controlling the reference and feedback dividers, the output frequency will slew smoothly (in a glitch-free manner) to the new frequency. The slew rate is related to the programmed loop filter time constant.

However, any programming changes to any mux or post divider control bits will cause a glitch on an operating clock output.

#### 9.1.1. Power-Down

All power-down functions are controlled by enable bits. That is, the bits select which portions of the FS6370 to power-down when the PD input is asserted. If the power-down bit contains a one, the related circuit will shut down if the PD pin is high (run mode only). When the PD pin is low, power is enabled to all circuits.

If the power-down bit contains a zero, the related circuit will continue to function regardless of the PD pin state.

# FS6370

Table 4: Power-Down Bits

| Name                     | Description                      |           |
|--------------------------|----------------------------------|-----------|
|                          | <b>Power-Down PLL A</b>          |           |
| PDPLL_A<br>(Bit 21)      | Bit = 0                          | Power on  |
|                          | Bit = 1                          | Power off |
|                          | <b>Power-Down PLL B</b>          |           |
| PDPLL_B<br>(Bit 45)      | Bit = 0                          | Power on  |
|                          | Bit = 1                          | Power off |
|                          | <b>Power-Down PLL C</b>          |           |
| PDPLL_C<br>(Bit 69)      | Bit = 0                          | Power on  |
|                          | Bit = 1                          | Power off |
| Reserved (0)<br>(Bit 69) |                                  |           |
|                          | <b>Power-Down POST Divider A</b> |           |
| PDPOST_A<br>(Bit 120)    | Bit = 0                          | Power on  |
|                          | Bit = 1                          | Power off |
|                          | <b>Power-Down POST Divider B</b> |           |
| PDPOST_B<br>(Bit 121)    | Bit = 0                          | Power on  |
|                          | Bit = 1                          | Power off |
|                          | <b>Power-Down POST Divider C</b> |           |
| PDPOSTC<br>(Bit 122)     | Bit = 0                          | Power on  |
|                          | Bit = 1                          | Power off |
|                          | <b>Power-Down POST Divider D</b> |           |
| PDPOSTD<br>(Bit 123)     | Bit = 0                          | Power on  |
|                          | Bit = 1                          | Power off |

Table 5: Divider Control Bits

| Name                            | Description   |                 |
|---------------------------------|---|-----------------|
| REFDIV_A[7:0]<br>(Bits 7-0)     | Reference Divider A ( $N_R$ )   |                 |
| REFDIV_B[7:0]<br>(Bits 31-24)   | Reference Divider B ( $N_R$ )   |                 |
| REFDIV_C1[7:0]<br>(Bits 55-48)  | Reference Divider C1 ( $N_R$ )<br>selected when the SEL-CD pin = 0                |                 |
| REFDIV_C2[7:0]<br>(Bits 79-72)  | Reference Divider C2 ( $N_R$ )<br>selected when the SEL-CD pin = 1                |                 |
|                                 | <b>Feedback Divider A (<math>N_F</math>)</b>                                      |                 |
| FBKDIV_A[10:0]<br>(Bits 18-8)   | FBKDIV_A[2:0]   | A-Counter value |
|                                 | FBKDIV_A[10:3]  | M-Counter value |
|                                 | <b>Feedback Divider B (<math>N_F</math>)</b>                                      |                 |
| FBKDIV_B[10:0]<br>(Bits 42-32)  | FBKDIV_B[2:0]   | A-Counter value |
|                                 | FBKDIV_B[10:3]  | M-Counter value |
|                                 | <b>Feedback Divider C1 (<math>N_F</math>)</b><br>selected when the SEL-CD pin = 0 |                 |
| FBKDIV_C1[10:0]<br>(Bits 66-56) | FBKDIV_C1[2:0]  | A-Counter value |
|                                 | FBKDIV_C1[10:3]   | M-Counter value |
|                                 | <b>Feedback Divider C2 (<math>N_F</math>)</b><br>selected when the SEL-CD pin = 1 |                 |
| FBKDIV_C2[10:0]<br>(Bits 90-80) | FBKDIV_C2[2:0]  | A-Counter value |
|                                 | FBKDIV_C2[10:3]   | M-Counter value |

# FS6370

Table 6: Post Divider Control Bits

| Name                           | Description   |
|--------------------------------|---|
| POST_A[3:0]<br>(Bits 99-96)    | POST divider A (see Table 7)                                      |
| POST_B[3:0]<br>(Bits 103-100)  | POST divider B (see Table 7)                                      |
| POST_C1[3:0]<br>(Bits 107-104) | POST divider C1 (see Table 7)<br>selected when the SEL_CD pin = 0 |
| POST_C2[3:0]<br>(Bits 115-112) | POST divider C2 (see Table 7)<br>selected when the SEL_CD pin = 1 |
| POST_D1[3:0]<br>(Bits 111-108) | POST divider D1 (see Table 7)<br>selected when the SEL_CD pin = 0 |
| POST_D2[3:0]<br>(Bits 119-116) | POST divider D2 (see Table 7)<br>selected when the SEL_CD pin = 1 |

Table 7: Post Divider Modulus

| Bit [3] | Bit [2] | Bit [1] | Bit [0] | Divide By |
|---------|---------|---------|---------|-----------|
| 0       | 0       | 0       | 0       | 1         |
| 0       | 0       | 0       | 1       | 2         |
| 0       | 0       | 1       | 0       | 3         |
| 0       | 0       | 1       | 1       | 4         |
| 0       | 1       | 0       | 0       | 5         |
| 0       | 1       | 0       | 1       | 6         |
| 0       | 1       | 1       | 0       | 8         |
| 0       | 1       | 1       | 1       | 9         |
| 1       | 0       | 0       | 0       | 10        |
| 1       | 0       | 0       | 1       | 12        |
| 1       | 0       | 1       | 0       | 15        |
| 1       | 0       | 1       | 1       | 16        |
| 1       | 1       | 0       | 0       | 18        |
| 1       | 1       | 0       | 1       | 20        |
| 1       | 1       | 1       | 0       | 25        |
| 1       | 1       | 1       | 1       | 50        |

# FS6370

Table 8: PLL Tuning Bits

| Name                | Description  |                                |
|---------------------|--|--------------------------------|
|                     | <b>Loop Filter Time Constant A</b>                                     |                                |
| LFTC_A<br>(Bit 20)  | Bit = 0  | Short time constant: 7 $\mu$ s |
|                     | Bit = 1  | Long time constant: 20 $\mu$ s |
|                     | <b>Loop Filter Time Constant B</b>                                     |                                |
| LFTC_B<br>(Bit 44)  | Bit = 0  | Short time constant: 7 $\mu$ s |
|                     | Bit = 1  | Long time constant: 20 $\mu$ s |
|                     | <b>Loop Filter Time Constant C1 - Selected when the SEL_CD pin = 0</b> |                                |
| LFTC_C1<br>(Bit 68) | Bit = 0  | Short time constant: 7 $\mu$ s |
|                     | Bit = 1  | Long time constant: 20 $\mu$ s |
|                     | <b>Loop Filter Time Constant C2 - Selected when the SEL_CD pin = 1</b> |                                |
| LFTC_C2<br>(Bit 92) | Bit = 0  | Short time constant: 7 $\mu$ s |
|                     | Bit = 1  | Long time constant: 20 $\mu$ s |
|                     | <b>Charge Pump A</b>   |                                |
| CP_A<br>(Bit 19)    | Bit = 0  | Current = 2 $\mu$ A            |
|                     | Bit = 1  | Current = 10 $\mu$ A           |
|                     | <b>Charge Pump B</b>   |                                |
| CP_B<br>(Bit 43)    | Bit = 0  | Current = 2 $\mu$ A            |
|                     | Bit = 1  | Current = 10 $\mu$ A           |
|                     | <b>Charge Pump C1 - Selected when the SEL_CD pin = 0</b>               |                                |
| CP_C1<br>(Bit 67)   | Bit = 0  | Current = 2 $\mu$ A            |
|                     | Bit = 1  | Current = 10 $\mu$ A           |
|                     | <b>Charge Pump C2 - Selected when the SEL_CD pin = 1</b>               |                                |
| CP_C2<br>(Bit 91)   | Bit = 0  | Current = 2 $\mu$ A            |
|                     | Bit = 1  | Current = 10 $\mu$ A           |

# FS6370

Table 9: MUX Select Bits

| Name                          | Description   |         |                     |
|-------------------------------|---|---------|---------------------|
|                               | <b>MUX A Frequency Select</b>                                     |         |                     |
| MUX_A[1:0]<br>(Bits 23-22)    | Bit 23  | Bit 22  |                     |
|                               | 0   | 0       | Reference frequency |
|                               | 0   | 1       | PLL A frequency     |
|                               | 1   | 0       | PLL B frequency     |
|                               | 1   | 1       | PLL C frequency     |
|                               | <b>MUX B Frequency Select</b>                                     |         |                     |
| MUX_B[1:0]<br>(Bits 47-46)    | Bit 47  | Bit 46  |                     |
|                               | 0   | 0       | Reference frequency |
|                               | 0   | 1       | PLL A frequency     |
|                               | 1   | 0       | PLL B frequency     |
|                               | 1   | 1       | PLL C frequency     |
|                               | <b>MUX C1 Frequency Select – Selected when the SEL_CD pin = 0</b> |         |                     |
| MUX_C1[1:0]<br>(Bits 71-70)   | Bit 71  | Bit 70  |                     |
|                               | 0   | 0       | Reference frequency |
|                               | 0   | 1       | PLL A frequency     |
|                               | 1   | 0       | PLL B frequency     |
|                               | 1   | 1       | PLL C frequency     |
|                               | <b>MUX C2 Frequency Select – Selected when the SEL_CD pin = 1</b> |         |                     |
| MUX_C2[1:0]<br>(Bits 125-124) | Bit 125   | Bit 124 |                     |
|                               | 0   | 0       | Reference frequency |
|                               | 0   | 1       | PLL A frequency     |
|                               | 1   | 0       | PLL B frequency     |
|                               | 1   | 1       | PLL C frequency     |
|                               | <b>MUX D1 Frequency Select – Selected when the SEL_CD pin = 0</b> |         |                     |
| MUX_D1[1:0]<br>(Bits 95-94)   | Bit 95  | Bit 94  |                     |
|                               | 0   | 0       | Reference frequency |
|                               | 0   | 1       | PLL A frequency     |
|                               | 1   | 0       | PLL B frequency     |
|                               | 1   | 1       | PLL C frequency     |
|                               | <b>MUX D2 Frequency Select – Selected when the SEL_CD pin = 1</b> |         |                     |
| MUX_D2[1:0]<br>(Bits 127-126) | Bit 127   | Bit 126 |                     |
|                               | 0   | 0       | Reference frequency |
|                               | 0   | 1       | PLL A frequency     |
|                               | 1   | 0       | PLL B frequency     |
|                               | 1   | 1       | PLL C frequency     |



## 10.0 Electrical Specifications

Table 10: Absolute Maximum Ratings

| Parameter   | Symbol   | Min.         | Max.         | Units |
|---|----------|--------------|--------------|-------|
| Supply Voltage, dc ( $V_{SS} = \text{ground}$ )                         | $V_{DD}$ | $V_{SS}-0.5$ | 7            | V     |
| Input Voltage, dc   | $V_I$    | $V_{SS}-0.5$ | $V_{DD}+0.5$ | V     |
| Output Voltage, dc  | $V_O$    | $V_{SS}-0.5$ | $V_{DD}+0.5$ | V     |
| Input Clamp Current, dc ( $V_I < 0$ or $V_I > V_{DD}$ )                 | $I_{IK}$ | -50          | 50           | mA    |
| Output Clamp Current, dc ( $V_I < 0$ or $V_I > V_{DD}$ )                | $I_{OK}$ | -50          | 50           | mA    |
| Storage Temperature Range (non-condensing)                              | $T_S$    | -65          | 150          | °C    |
| Ambient Temperature Range, Under Bias                                   | $T_A$    | -55          | 125          | °C    |
| Junction Temperature  | $T_J$    |              | 150          | °C    |
| Re-Flow Solder Profile  |          |              | 260          | °C    |
| Input Static Discharge Voltage Protection (MIL-STD 883E, Method 3015.7) |          |              | 2            | kV    |

Stresses above those listed under absolute maximum ratings may cause permanent damage to the device. These conditions represent a stress rating only, and functional operation of the device at these or any other conditions above the operational limits noted in this specification is not implied. Exposure to maximum rating conditions for extended conditions may affect device performance, functionality and reliability.



### **CAUTION: ELECTROSTATIC SENSITIVE DEVICE**

Permanent damage resulting in a loss of functionality or performance may occur if this device is subjected to a high-energy electrostatic discharge.

Table 11: Operating Conditions

| Parameter                           | Symbol    | Conditions/Descriptions   | Min. | Typ. | Max. | Units |
|-------------------------------------|-----------|---------------------------|------|------|------|-------|
| Supply Voltage                      | $V_{DD}$  | $5\text{ V} \pm 10\%$     | 4.5  | 5    | 5.5  | V     |
|                                     |           | $3.3\text{ V} \pm 10\%$   | 3    | 3.3  | 3.6  |       |
| Ambient Operating Temperature Range | $T_A$     |                           | 0    |      | 70   | °C    |
| Crystal Resonator Frequency         | $f_{XIN}$ |                           | 5    |      | 27   | MHz   |
| Crystal Resonator Load Capacitance  | $C_{XL}$  | Parallel resonant, AT cut |      | 18   |      | pF    |
| Serial Data Transfer Rate           |           | Standard mode             | 10   |      | 100  | kb/s  |
| Output Driver Load Capacitance      | $C_L$     |                           |      |      | 15   | pF    |

# FS6370

Table 12: DC Electrical Specifications

| Parameter  | Symbol          | Conditions/Description   | Min.            | Typ.         | Max.  | Units        |         |
|--|-----------------|--|-----------------|--------------|-------|--------------|---------|
| <b>Overall</b>   |                 |  |                 |              |       |              |         |
| Supply Current, Dynamic                                | $I_{DD}$        | $V_{DD} = 5.5V$ , $f_{CLK} = 50MHz$ ; $C_L = 15pF$<br>See Figure 11 for more information |                 | 43           |       | mA           |         |
| Supply Current, Write                                  | $I_{DD(write)}$ | Additional operating current demand,<br>EEPROM program mode, $V_{DD} = 5.5 V$            |                 | 2            |       | mA           |         |
| Supply Current, Read                                   | $I_{DD(read)}$  | Additional operating current demand,<br>EEPROM program mode, $V_{DD} = 5.5 V$            |                 | 1            |       | mA           |         |
| Supply Current, Static                                 | $I_{DDL}$       | $V_{DD} = 5.5V$ , powered down via PD pin  |                 | 0.3          |       | mA           |         |
| <b>Dual Function I/O (P)</b>                           |                 |  |                 |              |       |              |         |
| High-Level Input Voltage                               | $V_{IH}$        | Run mode (PD, OE)  | $V_{DD} = 5.5V$ | 3.85         |       | $V_{DD}+0.3$ | V       |
|  |                 |  | $V_{DD} = 3.6V$ | 2.52         |       | $V_{DD}+0.3$ |         |
|  |                 | Register program mode<br>(SDA, SCL)  | $V_{DD} = 5.5V$ | 3.85         |       | $V_{DD}+0.3$ |         |
|  |                 |  | $V_{DD} = 3.6V$ | 2.52         |       | $V_{DD}+0.3$ |         |
|  |                 | EEPROM prodgram mode<br>(SDA, SCL)   | $V_{DD} = 5.5V$ | 3.85         |       | $V_{DD}+0.3$ |         |
|  |                 |  | $V_{DD} = 3.6V$ | 2.52         |       | $V_{DD}+0.3$ |         |
| Low-Level Input Voltage                                | $V_{IL}$        | Run mode (PD, OE)  | $V_{DD} = 5.5V$ | $V_{SS}-0.3$ |       | 1.65         | V       |
|  |                 |  | $V_{DD} = 3.6V$ | $V_{SS}-0.3$ |       | 1.08         |         |
|  |                 | Register program mode<br>(SDA, SCL)  | $V_{DD} = 5.5V$ | $V_{SS}-0.3$ |       | 1.65         |         |
|  |                 |  | $V_{DD} = 3.6V$ | $V_{SS}-0.3$ |       | 1.08         |         |
|  |                 | EEPROM prodgram mode<br>(SDA, SCL)   | $V_{DD} = 5.5V$ | $V_{SS}-0.3$ |       | 1.65         |         |
|  |                 |  | $V_{DD} = 3.6V$ | $V_{SS}-0.3$ |       | 1.08         |         |
| Hysteresis Voltage                                     | $V_{hys}$       | Run mode (PD, OE)  | $V_{DD} = 5.5V$ |              | 2.20  |              | V       |
|  |                 |  | $V_{DD} = 3.6V$ |              | 1.44  |              |         |
|  |                 | Register program mode<br>(SDA, SCL)  | $V_{DD} = 5.5V$ |              | 2.20  |              |         |
|  |                 |  | $V_{DD} = 3.6V$ |              | 1.44  |              |         |
|  |                 | Register program mode<br>(SDA, SCL)  | $V_{DD} = 5.5V$ |              | 0.275 |              |         |
|  |                 |  | $V_{DD} = 3.6V$ |              | 0.18  |              |         |
| High-Level Input Current                               | $I_{IH}$        | Run/register program mode  |                 | -1           |       | 1            | $\mu A$ |
|  |                 | EEPROM program mode  |                 | -1           |       | 1            |         |
| Low-Level Input Current (pull-up)                      | $I_{IL}$        | $V_{IL} = 0V$  |                 | -20          | -36   | -80          | $\mu A$ |
| Low-Level Output Sink Current (SDA)                    | $I_{OL}$        | Run/register program mode, $V_{OL} = 0.4V$   |                 |              | 26    |              | mA      |
|  |                 | EEPROM program mode, $V_{OL} = 0.4V$   |                 |              | 3.0   |              |         |
| <b>Mode and Frequency Select Inputs (MODE, SEL_CD)</b> |                 |  |                 |              |       |              |         |
| High-Level Input Voltage                               | $V_{IH}$        | $V_{DD} = 5.5 V$   |                 | 2.4          |       | $V_{DD}+0.3$ | V       |
|  |                 | $V_{DD} = 3.6 V$   |                 | 2.0          |       | $V_{DD}+0.3$ |         |
| Low-Level Input Voltage                                | $V_{IL}$        | $V_{DD} = 5.5 V$   |                 | $V_{SS}-0.3$ |       | 0.8          | V       |
|  |                 | $V_{DD} = 3.6 V$   |                 | $V_{SS}-0.3$ |       | 0.8          |         |
| High-Level Input Current                               | $I_{IH}$        |  |                 | -1           |       | 1            | $\mu A$ |
| Low-Level Input Current (pull-up)                      | $I_{IL}$        |  |                 | -20          | -36   | -80          | $\mu A$ |
| Parameter  | Symbol          | Conditions/Description   | Min.            | Type.        | Max.  | Units        |         |

# FS6370

Table 12: DC Electrical Specifications (Continued)

| Crystal Oscillator Feedback (XIN)          |               |   |     |      |     |               |
|--|---------------|---|-----|------|-----|---------------|
| Threshold Bias Voltage                     | $V_{TH}$      | $V_{DD} = 5.5\text{ V}$   |     | 2.9  |     | V             |
|  |               | $V_{DD} = 3.6\text{ V}$   |     | 1.7  |     |               |
| High-Level Input Current                   | $I_{IH}$      | $V_{DD} = 5.5\text{ V}$   |     | 54   |     | mA            |
|  |               | $V_{DD} = 5.5\text{ V}$ , oscillator powered down                   | 5   |      | 15  | mA            |
| Low-Level Input Current                    | $I_{IL}$      |   | -25 | -54  | -75 | $\mu\text{A}$ |
| Crystal Loading Capacitance *              | $C_{L(xtal)}$ | As seen by an external crystal connected to XIN and XOUT            |     | 18   |     | pF            |
| Input Loading Capacitance *                | $C_{L(XIN)}$  | As seen by an external clock driver on XOUT; XIN unconnected        |     | 36   |     | pF            |
| Crystal Oscillator Output (XOUT)           |               |   |     |      |     |               |
| High-Level Output Source Current           | $I_{OH}$      | $V_{DD} = V(XIN) = 5.5\text{ V}$ , $V_O = 0\text{ V}$               | 10  | 21   | 30  | mA            |
| Low-Level Output Sink Current              | $I_{OL}$      | $V_{DD} = 5.5\text{ V}$ , $V(XIN) = V_O = 5.5\text{ V}$             | -10 | -21  | -30 | mA            |
| Clock Outputs (CLK_A, CLK_B, CLK_C, CLK_D) |               |   |     |      |     |               |
| High-Level Output Source Current           | $I_{OH}$      | $V_O = 2.4\text{ V}$  |     | -125 |     | mA            |
| Low-Level Output Sink Current              | $I_{OL}$      | $V_O = 0.4\text{ V}$  |     | 23   |     | mA            |
| Output Impedance                           | $Z_{OH}$      | $V_O = 0.5V_{DD}$ ; output driving high                             |     | 29   |     | $\Omega$      |
|  | $Z_{OL}$      | $V_O = 0.5V_{DD}$ ; output driving low                              |     | 27   |     |               |
| Tristate Output Current                    | $I_Z$         |   | -10 |      | 10  | $\mu\text{A}$ |
| Short Circuit Source Current *             | $I_{SCH}$     | $V_{DD} = 5.5\text{ V}$ , $V_O = 0\text{ V}$ ; shorted for 30s, max |     | -150 |     | mA            |
| Short Circuit Sink Current *               | $I_{SCL}$     | $V_{DD} = V_O = 5.5\text{ V}$ ; shorted for 30s, max.               |     | 123  |     | mA            |

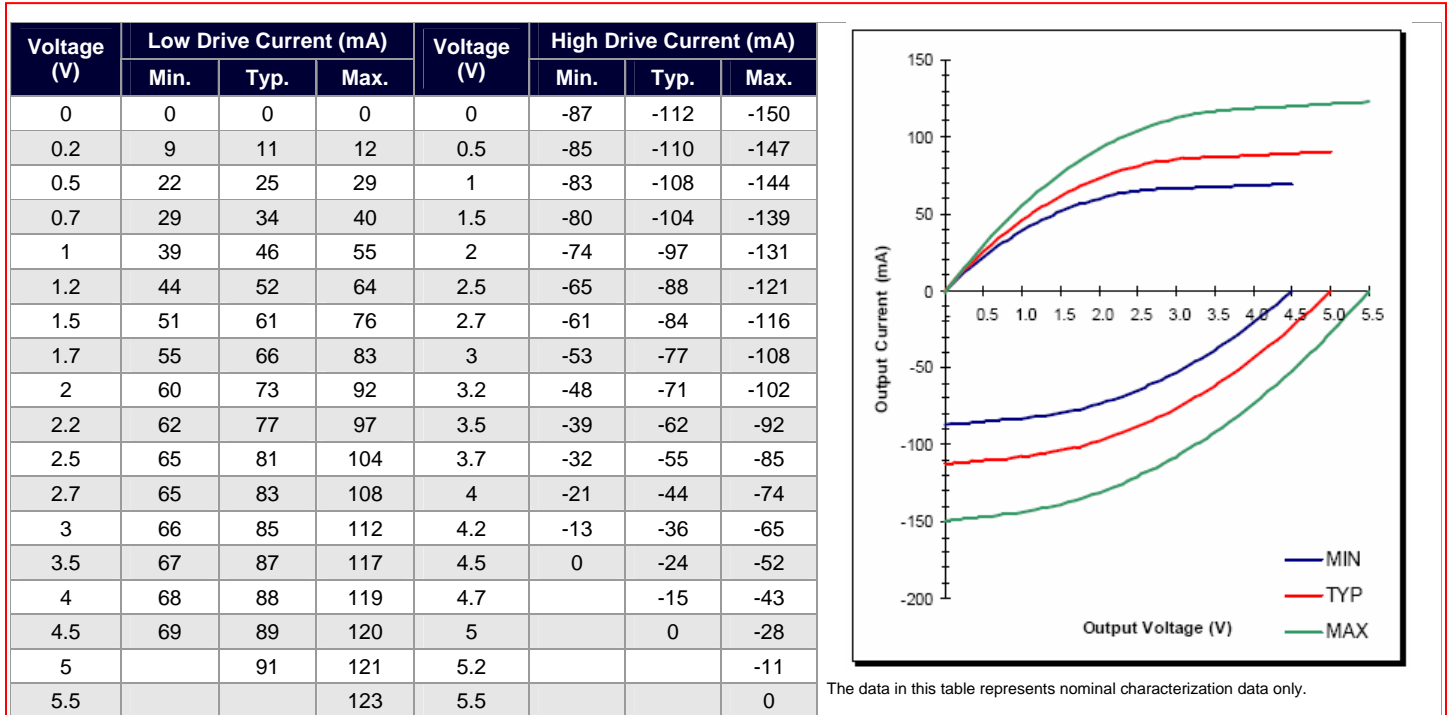
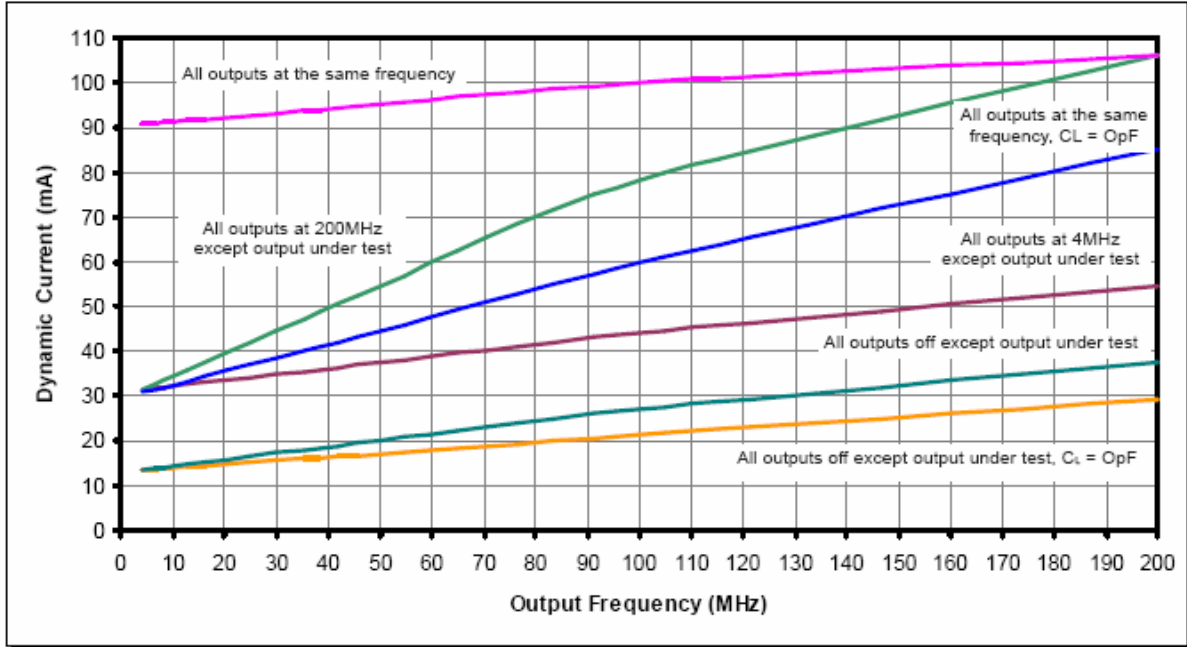
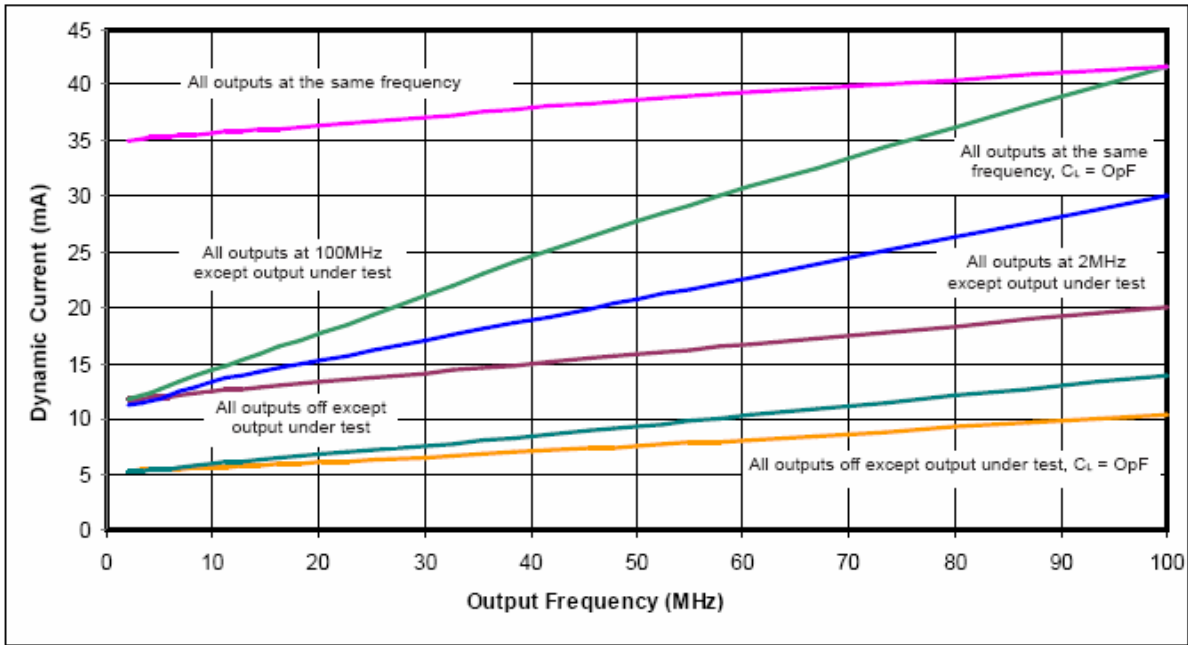


Figure 10: CLK\_A, CLK\_B, CLK\_C, CLK\_D Clock Output

# FS6370



$V_{DD} = 5.0V$ ; Reference Frequency = 27.00MHz; VCO Frequency = 200MHz,  $C_L = 17pF$  except where noted



$V_{DD} = 3.3V$ ; Reference Frequency = 27.00MHz; VCO Frequency = 100MHz,  $C_L = 17pF$  except where noted

Figure 11: Dynamic Current vs. Output Frequency

# FS6370

Table 13: AC Timing Specifications

| Parameter                                       | Symbol             | Conditions/Description   | Clock (MHz) | Min. | Typ. | Max. | Units   |
|---|--------------------|--|-------------|------|------|------|---------|
| <b>Overall</b>                                  |                    |  |             |      |      |      |         |
| EEPROM Write Cycle Time                         | $T_{wc}$           |  |             |      |      | 4    | ms      |
| Output Frequency *                              | $f_o$              | $V_{DD} = 5.5 V$   |             | 0.8  |      | 150  | MHz     |
|   |                    | $V_{DD} = 3.6 V$   |             | 0.8  |      | 100  |         |
| VCO Frequency *                                 | $f_{VCO}$          | $V_{DD} = 5.5 V$   |             | 40   |      | 230  | MHz     |
|   |                    | $V_{DD} = 3.6 V$   |             | 40   |      | 170  |         |
| VCO Gain *                                      | $A_{VCO}$          |  |             |      | 400  |      | MHz/V   |
| Loop Filter Time Constant *                     |                    | LFTC bit = 0   |             |      | 7    |      | $\mu s$ |
|   |                    | LFTC bit = 1   |             |      | 20   |      |         |
| Rise Time *                                     | $t_r$              | $V_o = 0.5 V$ to $4.5 V$ ; $C_L = 15pF$  |             |      | 2.0  |      | ns      |
|   |                    | $V_o = 0.3 V$ to $3.0 V$ ; $C_L = 15pF$  |             |      |      | 2.1  |         |
| Fall Time *                                     | $t_f$              | $V_o = 4.5 V$ to $0.5 V$ ; $C_L = 15pF$  |             |      | 1.8  |      | ns      |
|   |                    | $V_o = 3.0 V$ to $0.3 V$ ; $C_L = 15pF$  |             |      |      | 1.9  |         |
| Tristate Enable Delay *                         | $t_{PZL}, t_{PZH}$ |  |             | 1    |      | 8    | ns      |
| Tristate Disable Delay *                        | $t_{PZL}, t_{PZH}$ |  |             | 1    |      | 8    | ns      |
| Clock Stabilization Time *                      | $t_{STB}$          | Output active from power-up, RUN mode via PD pin   |             |      | 100  |      | $\mu s$ |
|   |                    | After last register is written, register program mode  |             |      |      | 1    | ms      |
| <b>Divider Modulus</b>                          |                    |  |             |      |      |      |         |
| Feedback Divider                                | $N_F$              | See also <b>Error! Reference source not found.</b>   |             | 8    |      | 2047 |         |
| Reference Divider                               | $N_R$              |  |             | 1    |      | 255  |         |
| Post Divider                                    | $N_P$              | See also <b>Error! Reference source not found.</b>   |             | 1    |      | 50   |         |
| <b>Clock Output (PLL A clock via CLK_A pin)</b> |                    |  |             |      |      |      |         |
| Duty Cycle *                                    |                    | Ratio of pulse width (as measured from rising edge to next falling edge at 2.5V) to one clock period   | 100         | 45   |      | 55   | %       |
| Jitter, Long Term ( $\sigma_y(\tau)$ ) *        | $T_{j(LT)}$        | On rising edges 500 $\mu s$ apart at 2.5V relative to an ideal clock, $C_L=15pF$ , $f_{XIN}=14.318MHz$ , $N_F=220$ , $N_R=63$ , $NPX=50$ , no other PLLs active                                  | 100         |      | 45   |      | ps      |
|   |                    | On rising edges 500 $\mu s$ apart at 2.5V relative to an ideal clock, $C_L=15pF$ , $f_{XIN}=14.318MHz$ , $N_F=220$ , $N_R=63$ , $NPX=50$ , all other PLLs active (B=60MHz, C=40MHz, D=14.318MHz) | 50          |      | 165  |      |         |
| Jitter, Period (peak-peak) *                    | $t_{j(AP)}$        | From rising edge to the next rising edge at 2.5V, $C_L=15pF$ , $f_{XIN}=14.318MHz$ , $N_F=220$ , $N_R=63$ , $NPX=50$ , no other PLLs active  | 100         |      | 110  |      | ps      |
|   |                    | From rising edge to the next rising edge at 2.5V, $C_L=15pF$ , $f_{XIN}=14.318MHz$ , $N_F=220$ , $N_R=63$ , $NPX=50$ , all other PLLs active (B=60MHz, C=40MHz, D=14.318MHz)                     | 50          |      | 390  |      |         |
| <b>Clock Output (PLL B clock via CLK_B pin)</b> |                    |  |             |      |      |      |         |
| Duty Cycle *                                    |                    | Ratio of pulse width (as measured from rising edge to next falling edge at 2.5V) to one clock period   | 100         | 45   |      | 55   | %       |
| Jitter, Long Term ( $\sigma_y(\tau)$ ) *        | $T_{j(LT)}$        | On rising edges 500 $\mu s$ apart at 2.5V relative to an ideal clock, $C_L=15pF$ , $f_{XIN}=14.318MHz$ , $N_F=220$ , $N_R=63$ , $NPX=50$ , no other PLLs active                                  | 100         |      | 45   |      | ps      |
|   |                    | On rising edges 500 $\mu s$ apart at 2.5V relative to an ideal clock, $C_L=15pF$ , $f_{XIN}=14.318MHz$ , $N_F=220$ , $N_R=63$ , $NPX=50$ , all other PLLs active (A=50MHz, C=40MHz, D=14.318MHz) | 60          |      | 75   |      |         |
| Jitter, Period (peak-peak) *                    | $t_{j(AP)}$        | From rising edge to the next rising edge at 2.5V, $C_L=15pF$ , $f_{XIN}=14.318MHz$ , $N_F=220$ , $N_R=63$ , $NPX=50$ , no other PLLs active  | 100         |      | 120  |      | ps      |
|   |                    | From rising edge to the next rising edge at 2.5V, $C_L=15pF$ , $f_{XIN}=14.318MHz$ , $N_F=220$ , $N_R=63$ , $NPX=50$ , all other PLLs active (A=50MHz, C=40MHz, D=14.318MHz)                     | 60          |      | 400  |      |         |

# FS6370

Table 13: AC Timing Specifications (Continued)

| Parameter  | Symbol      | Conditions/Description   | Clock (MHz) | Min. | Typ. | Max. | Units |
|--|-------------|--|-------------|------|------|------|-------|
| <b>Clock Output (PLL C clock via CLK_C pin)</b>        |             |  |             |      |      |      |       |
| Duty Cycle*  |             | Ratio of pulse width (as measured from rising edge to next falling edge at 2.5V) to one clock period   | 100         | 45   |      | 55   | %     |
| Jitter, Long Term ( $\sigma_y(\tau)$ )*                | $T_{j(LT)}$ | On rising edges 500 $\mu$ s apart at 2.5V relative to an ideal clock, $C_L=15pF$ , $f_{XIN}=14.318MHz$ , $N_f=220$ , $N_R=63$ , $N_D=50$ , no other PLLs active                                  | 100         |      | 45   |      | ps    |
|  |             | On rising edges 500 $\mu$ s apart at 2.5V relative to an ideal clock, $C_L=15pF$ , $f_{XIN}=14.318MHz$ , $N_f=220$ , $N_R=63$ , $N_D=50$ , all other PLLs active (A=50MHz, B=60MHz, D=14.318MHz) | 40          |      | 105  |      |       |
| Jitter, Period (peak-peak)*                            | $t_{j(AP)}$ | From rising edge to the next rising edge at 2.5V, $C_L=15pF$ , $f_{XIN}=14.318MHz$ , $N_f=220$ , $N_R=63$ , $N_D=50$ , no other PLLs active  | 100         |      | 120  |      | ps    |
|  |             | From rising edge to the next rising edge at 2.5V, $C_L=15pF$ , $f_{XIN}=14.318MHz$ , $N_f=220$ , $N_R=63$ , $N_D=50$ , all other PLLs active (A=50MHz, B=60MHz, D=14.318MHz)                     | 40          |      | 440  |      |       |
| <b>Clock Output (Crystal Oscillator via CLK_D pin)</b> |             |  |             |      |      |      |       |
| Duty Cycle*  |             | Ratio of pulse width (as measured from rising edge to next falling edge at 2.5V) to one clock period   | 14.318      | 45   |      | 55   | %     |
| Jitter, Long Term ( $\sigma_y(\tau)$ )*                | $T_{j(LT)}$ | On rising edges 500 $\mu$ s apart at 2.5V relative to an ideal clock, $C_L=15pF$ , $f_{XIN}=14.318MHz$ , $N_f=220$ , $N_R=63$ , $N_D=50$ , no other PLLs active                                  | 14.318      |      | 20   |      | ps    |
|  |             | From rising edge to the next rising edge at 2.5V, $C_L=15pF$ , $f_{XIN}=14.318MHz$ , all other PLLs active (A=50MHz, B=60MHz, C=40MHz)   | 14.318      |      | 40   |      |       |
| Jitter, Period (peak-peak)*                            | $t_{j(AP)}$ | From rising edge to the next rising edge at 2.5V, $C_L=15pF$ , $f_{XIN}=14.318MHz$ , no other PLLs active  | 14.318      |      | 90   |      | ps    |
|  |             | From rising edge to the next rising edge at 2.5V, $C_L=15pF$ , $f_{XIN}=14.318MHz$ , all other PLLs active (A=50MHz, B=60MHz, C=40MHz)   | 14.318      |      | 450  |      |       |

Unless otherwise stated,  $V_{DD} = 5.0V \pm 10\%$ , no load on any output, and ambient temperature range  $T_A = 0^\circ C$  to  $70^\circ C$ . Parameters denoted with an asterisk ( \* ) represent nominal characterization data and are not currently production tested to any specific limits. Min. and Max. characterization data are  $\pm 3s$  from typical.

Table 14: Serial Interface Timing Specifications

| Parameter                            | Symbol       | Conditions/Description  | Min. | Max. | Units   |
|--------------------------------------|--------------|---|------|------|---------|
| Clock frequency                      | $f_{SCL}$    | SCL   | 0    | 100  | kHz     |
| Bus free time between STOP and START | $t_{BUF}$    |   | 4.7  |      | $\mu s$ |
| Set up time, START (repeated)        | $t_{su:STA}$ |   | 4.7  |      | $\mu s$ |
| Hold time, START                     | $t_{hd:STA}$ |   | 4.0  |      | $\mu s$ |
| Set up time, data input              | $t_{su:DAT}$ | SDA   | 250  |      | ns      |
| Hold time, data input                | $t_{hd:DAT}$ | SDA   | 0    |      | $\mu s$ |
| Output data valid from clock         | $t_{AA}$     | Minimum delay to bridge undefined region of the falling edge of SCL to avoid unintended START or STOP |      | 3.5  | $\mu s$ |
| Rise time, data and clock            | $t_R$        | SDA, SCL  |      | 1000 | ns      |
| Fall time, data and clock            | $t_F$        | SDA, SCL  |      | 300  | ns      |
| High time, clock                     | $t_{HI}$     | SCL   | 4.0  |      | $\mu s$ |
| Low time, clock                      | $t_{LO}$     | SCL   | 4.7  |      | $\mu s$ |
| Set up time, STOP                    | $t_{su:STO}$ |   | 4.0  |      | $\mu s$ |

# FS6370

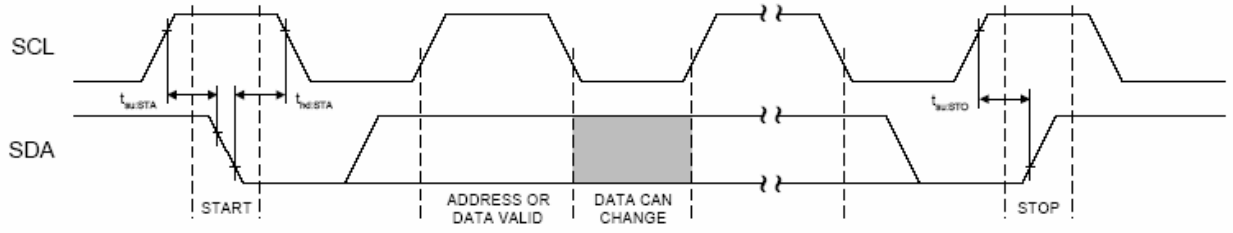


Figure 12: Bus Timing Data

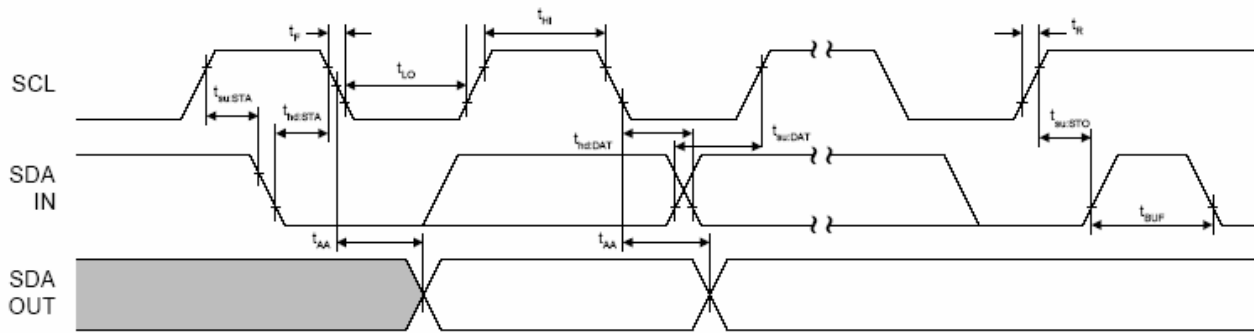


Figure 13: Data Transfer Sequence

# FS6370

## 11.0 Package Information for Both ‘Green’ and ‘Non-Green’

Table 15: 16-pin SOIC (0.150") Package Dimensions

|    | Dimension |        |             |       |
|----|-----------|--------|-------------|-------|
|    | Inches    |        | Millimeters |       |
|    | Min.      | Max.   | Min.        | Max.  |
| A  | 0.061     | 0.068  | 1.55        | 1.73  |
| A1 | 0.004     | 0.0098 | 0.102       | 0.249 |
| A2 | 0.055     | 0.061  | 1.40        | 1.55  |
| B  | 0.013     | 0.019  | 0.33        | 0.49  |
| C  | 0.0075    | 0.0098 | 0.191       | 0.249 |
| D  | 0.386     | 0.393  | 9.80        | 9.98  |
| E  | 0.150     | 0.157  | 3.81        | 3.99  |
| e  | 0.050 BSC |        | 1.27 BSC    |       |
| H  | 0.230     | 0.244  | 5.84        | 6.20  |
| h  | 0.010     | 0.016  | 0.25        | 0.41  |
| L  | 0.016     | 0.035  | 0.41        | 0.89  |
| ⊖  | 0°        | 8°     | 0°          | 8°    |

The drawing shows a 16-pin SOIC package. The top view shows 16 pins with dimensions A (total width), A1 (lead width), A2 (body width), B (lead width), C (lead thickness), D (total length), and e (pitch). The side view shows dimensions E (height), H (total height), and A (height). The lead detail view shows dimensions h (lead height), L (lead length), and ⊖ (lead angle). A note indicates 'ALL RADII: 0.005" TO 0.01"'. The package is labeled 'AMI SEMICONDUCTOR'.

Table 16: 16-pin SOIC (0.150") Package Characteristics

| Parameter   | Symbol        | Conditions/Description        | Typ. | Units |
|---|---------------|-------------------------------|------|-------|
| Thermal Impedance, Junction to Free-Air<br>16-pin 0.150" SOIC | $\Theta_{JA}$ | Air flow = 0 m/s              | 109  | °C/W  |
| Lead Inductance, Self   | $L_{11}$      | Corner lead                   | 4.0  | nH    |
|   |               | Center lead                   | 3.0  |       |
| Lead Inductance, Mutual                                       | $L_{12}$      | Any lead to any adjacent lead | 0.4  | nH    |
| Lead Capacitance, Bulk  | $C_{11}$      | Any lead to $V_{SS}$          | 0.5  | pF    |

## 12.0 Ordering Information

| Part Number    | Package  | Shipping Configuration | Temperature Range        |
|----------------|--|------------------------|--------------------------|
| FS6370-01G-XTD | 16-pin (0.150") SOIC<br>(green, ROHS or lead free packaging) | Tube/Tray              | 0°C to 70°C (Commercial) |
| FS6370-01G-XTP | 16-pin (0.150") SOIC<br>(green, ROHS or lead free packaging) | Tape & Reel            | 0°C to 70°C (Commercial) |



# FS6370

## 13.0 Demonstration Software

Windows 3.1x/95/98-based software is available from ON Semiconductor that illustrates the capabilities of the FS6370. The software can operate under Windows NT.

Contact your local sales representative for more information.

### 13.1 Software Requirements

- PC running MS Windows 3.1x or 95/98. Software also runs on Windows NT in a calculation mode only.
- 1.8MB available space on hard drive C.

### 13.2 Software Installation Instructions

At the appropriate disk drive prompt (A:\) unzip the compressed demo files to a directory of your choice. Run setup.exe to install the software.

### 13.3 Demo Program Operation

Launch the fs6370.exe program. Note that the parallel port can not be accessed if your machine is running Windows NT. A warning message will appear stating: "This version of the demo program cannot communicate with the FS6370 hardware when running on a Windows NT operating system. Do you want to continue anyway, using just the calculation features of this program?" Clicking OK starts the program for calculation only.

The FS6370 demonstration hardware is no longer available nor supported.

The opening screen is shown in Figure 14 .

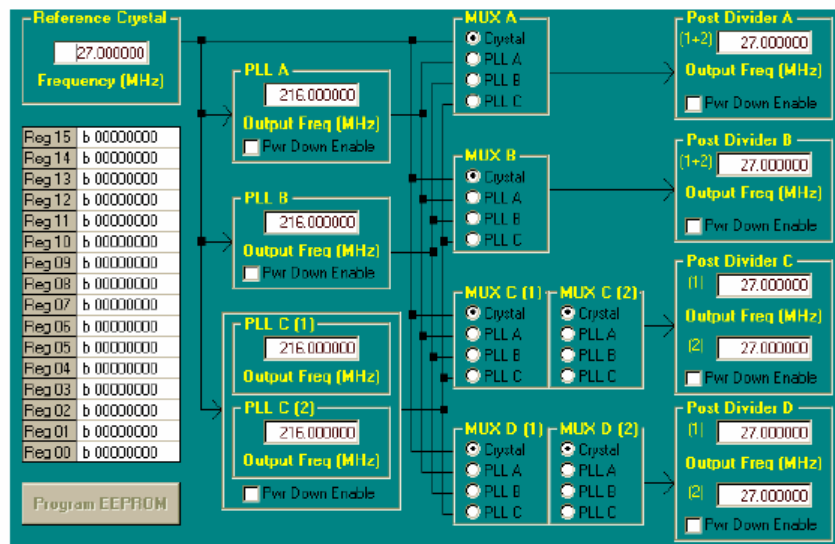


Figure 14: Opening Screen

# FS6370

## 13.3.1. Example Programming

Type a value for the crystal resonator frequency in MHz in the reference crystal box. This frequency provides the basis for all of the PLL calculations that follow.

Next, click on the PLL A box. A pop-up screen similar to Figure 15 should appear. Type in a desired output clock frequency in MHz, set the operating voltage (3.3 V or 5 V), and the desired maximum output frequency error. Pressing calculate solutions generates several possible divider and VCO-speed combinations.

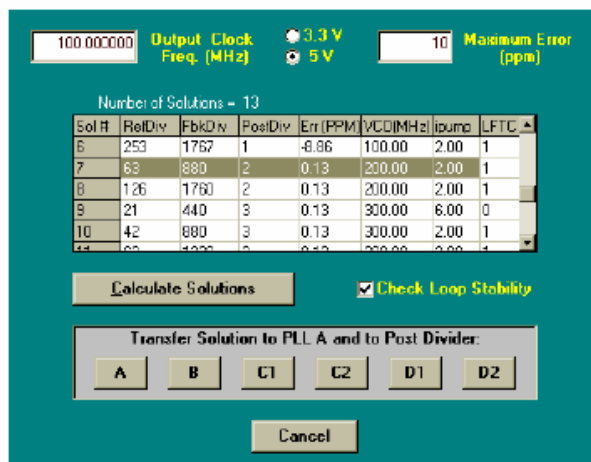


Figure 15: PLL Screen

For a 100 MHz output, the VCO should ideally operate at a higher frequency, and the reference and feedback dividers should be as small as possible. In this example, highlight solution #7. Notice the VCO operates at 200MHz with a post divider of 2 to obtain an optimal 50 percent duty cycle.

Now choose which mux and post divider to use (that is, choose an output pin for the 100 MHz output). Selecting A places the PostDiv value in solution #7 into post divider A and switches mux A to take the output of PLL A.

The PLL screen should disappear, and now the value in the PLL A box is the new VCO frequency chosen in solution #7. Note that mux A has been switched to PLL A and the post divider A has the chosen 100MHz output displayed.

Repeat the steps for PLL B.

PLL C supports two different output frequencies depending on the setting of the SEL\_CD pin. Both mux C and mux D are also affected by the logic level on the SEL\_CD pin, as are the post dividers C and D (see Section 4.2 for more detail).

# FS6370

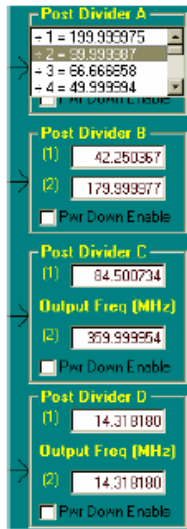


Figure 16: Post Divider Menu

Click on PLL C1 to open the PLL screen. Set a desired frequency, however, now choose the post divider B as the output divider. Notice the post divider box has split in two (as shown in Figure 16). The post divider B box now shows that the divider is dependent on the setting of the SEL\_CD pin for as long as mux B is the PLL C output.

Clicking on post divider A reveals a pull-down menu provided to permit adjustment of the post divider value independently of the PLL screen. A typical menu is shown in Figure 16. The range of possible post divider values is also given in Table 7.

The EEPROM settings are shown to the left in the screen shown in Figure 14. Clicking on a register location displays a screen shown in Figure 17. Individual bits can be poked, or the entire register value can be changed.

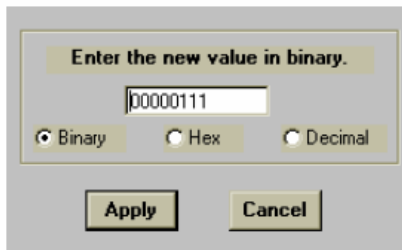



Figure 17: Register Screen

# FS6370

## 14.0 Revision History

---

| Revision | Date | Modification |
|----------|------|--------------|
|          |      |              |
|          |      |              |

ON Semiconductor and  are registered trademarks of Semiconductor Components Industries, LLC (SCILLC). SCILLC reserves the right to make changes without further notice to any products herein. SCILLC makes no warranty, representation or guarantee regarding the suitability of its products for any particular purpose, nor does SCILLC assume any liability arising out of the application or use of any product or circuit, and specifically disclaims any and all liability, including without limitation special, consequential or incidental damages. "Typical" parameters which may be provided in SCILLC data sheets and/or specifications can and do vary in different applications and actual performance may vary over time. All operating parameters, including "Typicals" must be validated for each customer application by customer's technical experts. SCILLC does not convey any license under its patent rights nor the rights of others. SCILLC products are not designed, intended, or authorized for use as components in systems intended for surgical implant into the body, or other applications intended to support or sustain life, or for any other application in which the failure of the SCILLC product could create a situation where personal injury or death may occur. Should Buyer purchase or use SCILLC products for any such unintended or unauthorized application, Buyer shall indemnify and hold SCILLC and its officers, employees, subsidiaries, affiliates, and distributors harmless against all claims, costs, damages, and expenses, and reasonable attorney fees arising out of, directly or indirectly, any claim of personal injury or death associated with such unintended or unauthorized use, even if such claim alleges that SCILLC was negligent regarding the design or manufacture of the part. SCILLC is an Equal Opportunity/Affirmative Action Employer. This literature is subject to all applicable copyright laws and is not for resale in any manner.

### PUBLICATION ORDERING INFORMATION

**LITERATURE FULFILLMENT:**

Literature Distribution Center for ON Semiconductor  
P.O. Box 5163, Denver, Colorado 80217 USA  
**Phone:** 303-675-2175 or 800-344-3860 Toll Free USA/Canada  
**Fax:** 303-675-2176 or 800-344-3867 Toll Free USA/Canada  
**Email:** [orderlit@onsemi.com](mailto:orderlit@onsemi.com)

**N. American Technical Support:** 800-282-9855  
Toll Free USA/Canada  
**Europe, Middle East and Africa Technical Support:**  
Phone: 421 33 790 2910  
**Japan Customer Focus Center**  
Phone: 81-3-5773-3850

ON Semiconductor Website: [www.onsemi.com](http://www.onsemi.com)  
Order Literature: <http://www.onsemi.com/orderlit>  
For additional information, please contact your local  
Sales Representative

## X-ON Electronics

Largest Supplier of Electrical and Electronic Components

*Click to view similar products for* [Clock Generators & Support Products](#) *category:*

*Click to view products by* [ON Semiconductor](#) *manufacturer:*

Other Similar products are found below :

[CV183-2TPAG](#) [950810CGLF](#) [9DBV0741AKILF](#) [9VRS4420DKLF](#) [CY25404ZXI226](#) [CY25422SXI-004](#) [MPC9893AE](#) [NB3H5150-01MNTXG](#) [PL602-20-K52TC](#) [PI6LC48P0101LIE](#) [82P33814ANLG](#) [840021AGLF](#) [ZL30244LFG7](#) [PI6LC48C21LE](#) [ZL30245LFG7](#) [PI6LC48P0405LIE](#) [PI6LC48P03LE](#) [MAX24505EXG+](#) [ZL30163GDG2](#) [5L1503L-000NVTG8](#) [ZL30673LFG7](#) [MAX24188ETK2](#) [ZL30152GGG2](#) [5L1503-000NVTG8](#) [PI6C557-01BZHIEX](#) [PI6LC48C21LIE](#) [CY2542QC002](#) [5P35023-106NLGI](#) [5X1503L-000NLGI8](#) [ZL30121GGG2V2](#) [ZL30282LDG1](#) [ZL30102QDG1](#) [ZL30159GGG2](#) [DS1070K](#) [ZL30145GGG2](#) [ZL30312GKG2](#) [MAX24405EXG2](#) [ZL30237GGG2](#) [SY100EL34LZG](#) [9FGV1002BQ506LTGI](#) [AD9518-4ABCPZ](#) [MX852BB0030](#) [PI6LC4840ZHE](#) [AD9516-0BCPZ-REEL7](#) [AD9574BCPZ-REEL7](#) [PL602-21TC-R](#) [ZL30105QDG1](#) [ZL30100QDG1](#) [ZL30142GGG2](#) [ZL30250LDG1](#)