



Is Now Part of



ON Semiconductor®

To learn more about ON Semiconductor, please visit our website at
www.onsemi.com

Please note: As part of the Fairchild Semiconductor integration, some of the Fairchild orderable part numbers will need to change in order to meet ON Semiconductor's system requirements. Since the ON Semiconductor product management systems do not have the ability to manage part nomenclature that utilizes an underscore (_), the underscore (_) in the Fairchild part numbers will be changed to a dash (-). This document may contain device numbers with an underscore (_). Please check the ON Semiconductor website to verify the updated device numbers. The most current and up-to-date ordering information can be found at www.onsemi.com. Please email any questions regarding the system integration to Fairchild_questions@onsemi.com.

ON Semiconductor and the ON Semiconductor logo are trademarks of Semiconductor Components Industries, LLC dba ON Semiconductor or its subsidiaries in the United States and/or other countries. ON Semiconductor owns the rights to a number of patents, trademarks, copyrights, trade secrets, and other intellectual property. A listing of ON Semiconductor's product/patent coverage may be accessed at www.onsemi.com/site/pdf/Patent-Marking.pdf. ON Semiconductor reserves the right to make changes without further notice to any products herein. ON Semiconductor makes no warranty, representation or guarantee regarding the suitability of its products for any particular purpose, nor does ON Semiconductor assume any liability arising out of the application or use of any product or circuit, and specifically disclaims any and all liability, including without limitation special, consequential or incidental damages. Buyer is responsible for its products and applications using ON Semiconductor products, including compliance with all laws, regulations and safety requirements or standards, regardless of any support or applications information provided by ON Semiconductor. "Typical" parameters which may be provided in ON Semiconductor data sheets and/or specifications can and do vary in different applications and actual performance may vary over time. All operating parameters, including "Typicals" must be validated for each customer application by customer's technical experts. ON Semiconductor does not convey any license under its patent rights nor the rights of others. ON Semiconductor products are not designed, intended, or authorized for use as a critical component in life support systems or any FDA Class 3 medical devices or medical devices with a same or similar classification in a foreign jurisdiction or any devices intended for implantation in the human body. Should Buyer purchase or use ON Semiconductor products for any such unintended or unauthorized application, Buyer shall indemnify and hold ON Semiconductor and its officers, employees, subsidiaries, affiliates, and distributors harmless against all claims, costs, damages, and expenses, and reasonable attorney fees arising out of, directly or indirectly, any claim of personal injury or death associated with such unintended or unauthorized use, even if such claim alleges that ON Semiconductor was negligent regarding the design or manufacture of the part. ON Semiconductor is an Equal Opportunity/Affirmative Action Employer. This literature is subject to all applicable copyright laws and is not for resale in any manner.

FUSB1500 — USB2.0 Full-Speed / Low-Speed Transceiver with Charger Detection

Features

- Complies with USB2.0 Specification
- Supports 12Mbps and 1.5Mbps USB2.0 Speeds
 - Single Ended (SE) Mode Signaling
 - Slew-Rate Controlled Differential Data Driver
 - Differential Input Receiver with Wide Common-Mode Range and High Input Sensitivity
 - Stable RCV Output during SE0 Condition
 - Two Single-Ended Receivers with Hysteresis
- Supports I/O Voltage: 1.65V to 3.6V

Applications

- Dual-Camera Applications for Cell Phones
- Dual-LCD Applications for Cell Phones, Digital Camera Displays, and Viewfinders

Description

The FUSB1500 is a USB2.0 FS/LS transceiver with resistive charger detection. It is compliant with the Universal Serial Bus Specification, Rev. 2.0 (USB2.0).

Ideal for portable electronic devices; such as mobile phones, digital still cameras, and personal digital assistants; it allows USB Application Specific ICs (ASICs) and Programmable Logic Devices (PLDs) with power supply voltages from 1.65V to 3.6V to interface with the physical layer of the Universal Serial Bus.

The FUSB1500 can be used as a USB device transceiver or a USB host transceiver. It can transmit and receive serial data at both full-speed (12Mbps) and low-speed (1.5Mbps) data rates.

The FUSB1500 supports the SE Mode controller interface.

IMPORTANT NOTE:

For additional performance information, please contact analogswitch@fairchildsemi.com.

Ordering Information

Part Number	Operating Temperature Range	Top Mark	Package	Packing Method
FUSB1500MHX	-40 to +85°C	FUSB 1500	16-Pin, Molded Leadless Package (MLP), JEDEC MO217 Equivalent, 3mm Square	Tape and Reel

Block Diagram

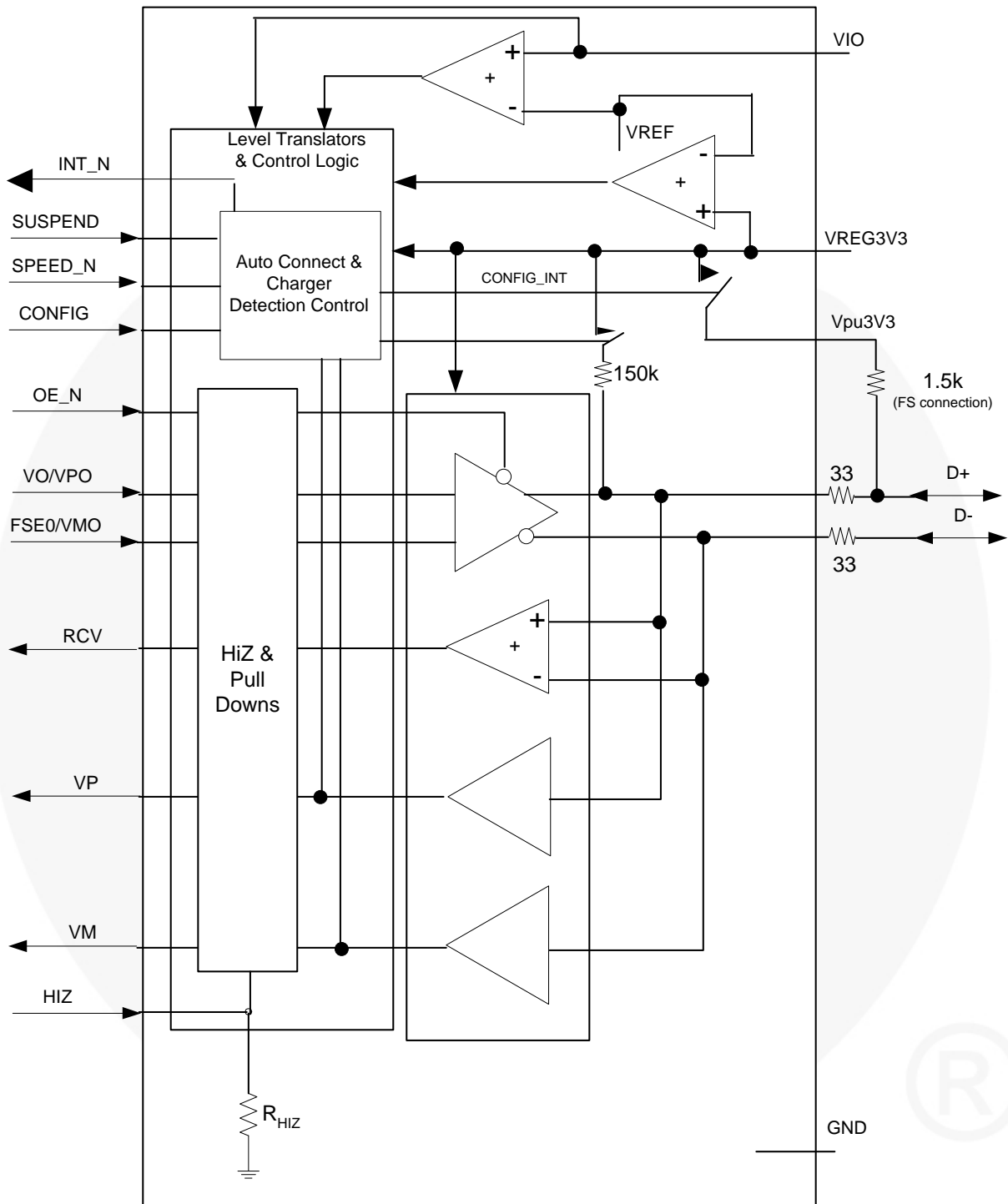


Figure 1. Functional Block Diagram

Pin Configuration

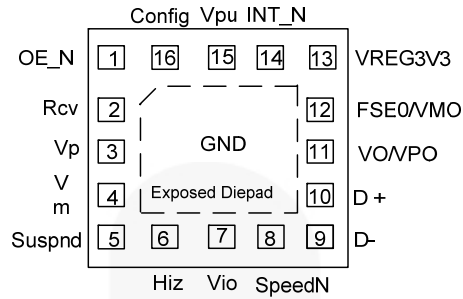


Figure 2. Pin Configuration (Top-Through View)

Pin Definitions

Pin #	Name	I/O	Description
1	OE_N	I	Output enable. Active LOW enables the transceiver to transmit data on the bus. When not active, the transceiver is in the receive mode (CMOS level is relative to V_{IO}).
2	RCV	O	Receive data output. Non-inverted CMOS level output for USB differential input (CMOS output level is relative to V_{IO}). Driven LOW when SUSPND mode is active; (SUSPND is only enabled per the specific extended control table – see Table 4); RCV output is stable and preserved during SE0 condition.
3	VP	O	Single-ended D+ receiver output VP (CMOS level relative to V_{IO}); used for external detection of SE0, error conditions, speed of connected device; driven HIGH when no supply is connected to V_{REG3V3} .
4	VM	O	Single-ended D- receiver output VM (CMOS level relative to V_{IO}); used for external detection of SE0, error conditions, speed of connected device; driven HIGH when no supply is connected to V_{REG3V3} .
5	SUSPND	I	Suspend. Enables a low-power state (CMOS level is relative to V_{IO}). While the FUSB1500 is suspended, it drives the RCV pin to logic “0” state. (Suspend is only enabled per the specific extended control table – see Table 4).
6	HiZ	I	High-Z input (CMOS level is relative to V_{IO}). HIGH selects the high-Z mode, which puts all the outputs, including VPU, in high impedance. There is a 100k Ω weak pull-down on this pin.
7	VIO		Supply voltage for digital I/O pins (1.65V to 3.6V). When not connected, the D+ and D- pins are in three-state. This supply bus is independent of VPU and VREG3V3.
8	SPEED_N	I	Speed selection input (CMOS level relative to V_{IO}); adjusts the slew rate of differential outputs D+ and D- according to the extended control table (see Table 4).
9	D-	AI/O	Data- bus connection.
10	D+	AI/O	Data+ bus connection; for FS peripheral mode, connect to VPU via 1.5k Ω .
11	VO/VPO	I	Driver data input (CMOS level is relative to V_{IO}); Schmitt-trigger input; VO is input pin for SE Mode.
12	FSE0/VMO	I	Driver data input (CMOS level is relative to V_{IO}); Schmitt-trigger input; FSE0 is input pin for SE Mode, see Table 2 and Table 3.
13	VREG3V3		Supply voltage input for 3.3V operation.
14	INT_N	O	This interrupt is active LOW. It is asserted when an SE0 is seen on the USB bus (SE0 detection circuit is only enabled per the specific extended control table). It is also referenced to V_{IO} .
15	VPU		Pull-up supply voltage (3.3V \pm 300mV); connect an external 1.5k Ω resistor on D+ (FS data rate) or D- (LS data rate). Internal switch is controlled by the CONFIG, SPEED_N, and SUSPND input pins (see Table 4).
16	CONFIG	I	USB connect or disconnect, software-control input. SPEED_N and SUSPND also gate the pull-up resistor (see Table 4).
Exposed Die Pad	GND	GND	GND supply bonded to exposed die pad to be connected to the PCB GND.

Absolute Maximum Ratings

Stresses exceeding the absolute maximum ratings may damage the device. The device may not function or be operable above the recommended operating conditions and stressing the parts to these levels is not recommended. In addition, extended exposure to stresses above the recommended operating conditions may affect device reliability. The absolute maximum ratings are stress ratings only.

Symbol	Parameter	Test Conditions	Min.	Max.	Units
V_{IO}	I/O Supply Voltage		-0.5	4.6	V
V_{PU} , V_{REG3V3}	Regulated Supply Voltage and Pull-up Supply		-0.5	4.6	V
I_{LU}	Latch-up Current	$V_{IN} = -1.8$ to $+5.4V$		150	mA
I_{IK}	DC Input Current	$V_{IN} < 0$		-50	mA
V_{IN}	DC Input Voltage ⁽¹⁾		-0.5	$V_{IO} + 0.5$	V
I_{OK}	DC Output Diode Current	$V_{OUT} > V_{REG3V3}$ or < 0		± 50	mA
V_{OUT}	DC Output Voltage ⁽¹⁾		-0.5	$V_{IO} + 0.5$	V
I_{OUT}	DC Output Source or Sink Current for D+, D- Pins	$V_{OUT} = 0$ to V_{REG3V3}		± 50	mA
	DC Output Source or Sink Current for RCV, VM/VP	$V_{OUT} = 0$ to V_{REG3V3}		± 15	
$I_{VREG3V3}$, I_{GND}	DC $V_{VREG3V3}$ or GND Current			± 100	mA
ESD	Human Body Model, JEDEC: JESD22-A114	Pins D+, D-, $I_{LI} < 3\mu A$	-10500	+10500	V
		V_{REG3V3} , V_{IO} , and GND; $I_{LI} < 3\mu A$;	-12000	+12000	
		All Other Pins, $I_{LI} < 1\mu A$	-6500	+6500	
	Machine Model, JESD22-A115		200		
	Charged Device Model, JEDEC: JESD-C101		+1500		
	IEC 61000-4-2	Air Gap		+15000	
Contact			+8000		
T_{STG}	Storage Temperature Range		-40	+125	°C
P_D	Power Dissipation	$I_{CC(VREG3V3)}$		48	mW
		I_{CCIO}		9	

Note:

1. Absolute maximum ratings for I/O must be observed.

Recommended Operating Conditions

The Recommended Operating Conditions table defines the conditions for actual device operation. Recommended operating conditions are specified to ensure optimal performance to the datasheet specifications. Fairchild does not recommend exceeding them or designing to absolute maximum ratings.

Symbol	Parameter	Test Conditions	Min.	Max.	Units
V_{REG3V3}	DC Supply Voltage		3.0	3.6	V
V_{IO}	I/O DC Voltage		1.65	3.60	V
V_{IN}	DC Input Voltage Range		0	V_{IO}	V
$V_{AI/O}$	DC Input Range for AI/Os	Pins D+ and D-	0	3.6	V
T_A	Operating Ambient Temperature		-40	+85	°C

Electrical Characteristics — Supply Pins DC Characteristics

Unless otherwise noted, values are over the recommended range of supply voltage and operating free air temperature. $V_{REG3V3} = 3.0V$ to $3.6V$ and $V_{IO} = 1.65V$ to $3.6V$.

Symbol	Parameter	Test Conditions	$T_A = -40^{\circ}C$ to $85^{\circ}C$			Units
			Min.	Typ.	Max.	
V_{REG3V3}	Regulated Supply Input ^(2,3)		3.0	3.3	3.6	V
$I_{VREG3V3}$	Operating Supply Current (V_{REG3V3}) ⁽⁴⁾	Transmitting and Receiving at 12Mbps; $C_{LOAD} = 50pF(D+, D-)$		4	8	mA
I_{CCIO}	I/O Operating Supply Current ⁽⁴⁾	Transmitting and Receiving at 12Mbps		1	2	mA
I_{IDLE}	Supply Current During FS Idle and SE0 (V_{REG3V3}) ⁽⁵⁾	IDLE: $V_{D+} \geq 3.0V$, $V_{D-} \leq 0.3V$; SE0: $V_{D+} \leq 0.3V$, $V_{D-} \leq 0.3V$			500	μA
$I_{CCIO(STATIC)}$	I/O Static Supply Current	IDLE, SUSPND, or SE0			20	μA
I_{SUSPND}	Suspend (V_{REG3V3}) Supply Current ⁽⁵⁾	SUSPND = H; OE_N = H or L; D+ = D- = Not Floating; VM = VP = Open			25	μA
$I_{DISABLE}$	Disable-Mode (V_{REG3V3}) Supply Current ⁽⁵⁾	VIO Not Connected, D+ = D- = Not Floating			25	μA
$I_{SHARING}$	I/O Sharing-Mode Supply Current	VREG3V3 Not Connected			20	μA
$I_{D\pm (SHARING)}$	Sharing-Mode Load Current on D+/D- Pins	VREG3V3 Not Connected, CONFIG = LOW, $V_{D\pm} = 3.6V$			10	μA
V_{REF}	V_{IO} Threshold-Detection Voltage	Supply Lost			0.5	V
		Supply Present	1.4			
V_{IO_hys}	V_{IO} Threshold-Detection Hysteresis Voltage ⁽⁴⁾	$V_{REG3V3} = 3.3V$		450		mV

Notes:

- I_{LOAD} includes the pull-up resistor current via the VPU pin.
- The minimum voltage in Suspend Mode is 2.7V.
- Not tested in production; value based on characterization.
- Excludes any current from load and V_{PU} or V_{SW} current to the 1.5k Ω and 15k Ω pull-up / pull-down resistors (200 μA typical).

Electrical Characteristics — Digital Pins DC Characteristics

Excludes D+ and D- pins. Unless otherwise noted, values are over the recommended range of supply voltage and operating free air temperature. $V_{REG3V3} = 3.0V$ to $3.6V$ and $V_{IO} = 1.65V$ to $3.6V$.

Symbol	Parameter	Test Conditions	T _A =-40°C to 85°C		Units
			Min.	Max.	
Input Levels					
V _{IL}	LOW-Level Input Voltage			0.3	V
V _{IH}	HIGH-Level Input Voltage		0.6 • V _{IO}		V
Output Levels					
V _{OL}	LOW-Level Output Voltage	I _{OL} = 2.0mA		0.4	V
		I _{OL} = 100μA		0.15	
V _{OH}	HIGH-Level Output Voltage	I _{OH} = 2.0mA	V _{IO} - 0.4		V
		I _{OH} = 100μA	V _{IO} - 0.15		
Leakage Current					
I _{LI}	Input Leakage Current, Excluding HIZ	V _{IO} = 1.65 to 3.60V	-1	+1	μA
Capacitance					
C _{IN} , C _{I/O}	Input Capacitance ⁽⁶⁾	Pin to GND		10	pF
Resistance					
R _{HIZ}	Pull-Down Resistance on HIZ Input Pin		100		kΩ
R _{CHRGPU}	Pull-Up Resistance for CHRGR Function		105	171	kΩ

Note:

6. Not tested in production; value based on characterization.

Electrical Characteristics — Analog I/O Pins DC Characteristics

Unless otherwise noted, values are over the recommended range of supply voltage and operating free air temperature. $V_{REG3V3} = 3.0V$ to $3.6V$ and $V_{IO} = 1.65V$ to $3.6V$.

Symbol	Parameter	Test Conditions	$T_A = -40^{\circ}C$ to $85^{\circ}C$		Units
			Min.	Max.	
Input Levels – Differential Receiver					
V_{DI}	Differential Input Sensitivity	$ V_{IN(D+)} - V_{IN(D-)} $	0.2		V
V_{CM}	Differential Common Mode Voltage		0.8	2.5	V
Input Levels – Single-Ended Receiver					
V_{IL}	LOW-Level Input Voltage			0.8	V
V_{IH}	HIGH-Level Input Voltage		2.0		V
V_{HYS}	Hysteresis Voltage ⁽⁷⁾		0.4	0.7	V
Output Levels					
V_{OL}	LOW-Level Output Voltage	$R_L = 1.5k\Omega$ to $3.6V$		0.3	V
V_{OH}	HIGH-Level Output Voltage ⁽⁸⁾	$R_L = 15k\Omega$ to GND	2.8	3.6	V
Leakage Current					
I_{OFF}	Input Leakage Current – Off State		-1	+1	μA
Capacitance					
C_{IO}	I/O Capacitance ⁽⁷⁾	Pin to GND		20	pF
Resistance					
Z_{DRV}	Driver Output Impedance ⁽⁹⁾	Steady State	34	44	Ω
Z_{IN}	Driver Input Impedance		10		$M\Omega$
R_{SW}	Switch Resistance	$I_{SW} = 0$ to $10mA$		15	Ω
V_{TERM}	Termination Voltage ^(10,11)	R_{PU} - Upstream Port	3.0	3.6	V

Notes:

7. Not tested in production; value based on characterization.
8. V_{OH} minimum = $V_{REG3V3} - 0.2V$.
9. Includes external $33\Omega \pm 1\%$ on both D+ and D- pins to comply with USB2.0.
10. This voltage is available at the VPU and VREG3V3 pins.
11. Minimum voltage is 2.7V in Suspend Mode.

Electrical Characteristics — A/I/O Pins AC Characteristics, Full Speed

Unless otherwise noted, values are over the recommended range of supply voltage and operating free air temperature. $V_{REG3V3} = 3.0V$ to $3.6V$ and $V_{IO} = 1.65V$ to $3.6V$.

Symbol	Parameter	Test Conditions	$T_A = -40^\circ C$ to $85^\circ C$			Units
			Min.	Typ. ⁽¹³⁾	Max.	
Driver Characteristics, FS Mode						
t_{FR}	FS Output Rise Time ^(13,14)	10% to 90% $ V_{OH} - V_{OL} $; $C_L = 50$ pF; <i>Figure 3</i>	4		20	ns
t_{FF}	FS Output Fall Time ^(13,14)	90% to 10% $ V_{OH} - V_{OL} $; $C_L = 50$ pF; <i>Figure 3</i>	4		20	
t_{FRFM}	FS Rise/Fall Time Match ^(13,14)	t_R/t_F Excludes First Transition from Idle State	90.0		111.1	%
V_{CRS}	Output Signal Crossover Voltage ^(13,14)	Excludes First Transition from Idle State	1.3	$V_{REG3V3}/2 \pm 200mV$	2.0	V
Driver Characteristics, LS Mode						
t_{LR}	LS Output Rise Time ^(13,14)	10% to 90% $ V_{OH} - V_{OL} $; $C_L = 50$ to $600pF$; <i>Figure 3</i>	75		300	ns
t_{LF}	LS Output Fall Time ^(13,14)	90% to 10% $ V_{OH} - V_{OL} $; $C_L = 50$ to $600pF$; <i>Figure 3</i>	75		300	
t_{LRFM}	LS Rise/Fall Time Match ^(13,14)	t_R/t_F Excludes First Transition from Idle State	80		125	%
V_{CRS}	Output Signal Crossover Voltage ^(13,14)	Excludes First Transition from Idle State	1.3		2.0	V
Driver Timing, FS Mode						
t_{PLH}	Propagation Delay, FSE0/VO/VPO/ VMO to D+/D-	Input Edge Rates = 2.5ns; <i>Figure 4</i>			20	ns
t_{PHL}					20	ns
t_{PHZ}	Driver Disable Delay, OE_N to D+/D-	<i>Figure 6 , Figure 8</i>			18	ns
t_{PLZ}					18	ns
t_{PZH}	Driver Enable Delay, OE_N to D+/D-	<i>Figure 6 , Figure 8</i>			18	ns
t_{PZL}					18	ns
Driver Timing, LS Mode^(12,13)						
Receiver Timing, FS and LS Mode						
t_{PLH}	Differential Receiver Propagation Delay, D+/D- to R_{CV} ⁽¹⁵⁾	$C_L = 15pF$, <i>Figure 5, Figure 9</i>			21	ns
t_{PHL}					21	ns
t_{PLH}	Single-Ended Receiver Propagation Delay, D+/D- to VP, VM	$C_L = 15pF$, <i>Figure 5, Figure 9</i>			18	ns
t_{PHL}					18	ns
SE0 Detection Timing⁽¹³⁾						
t_{PWSE0}	SE0 Pulse Width Detection for INT_N ⁽¹³⁾	Suspend, Config, Speed_N=011 VIO=VREG3V3= 3.6V		260		ns

Notes:

12. Edge rates of Low Speed (LS) mode dominate; consequently, there are no propagation delays specified for LS Mode.
13. Not production tested; guaranteed by characterization.
14. Typical conditions are at $25^\circ C$ and $3.3V$.
15. Excludes exiting Suspend or HiZ Mode.

Typical Performance Characteristics

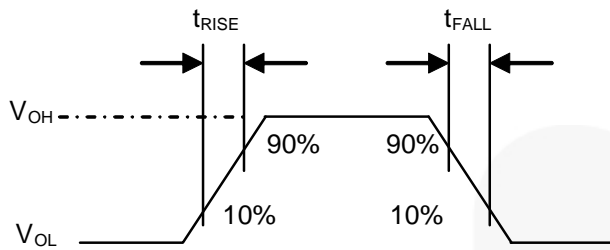


Figure 3. Rise and Fall Time

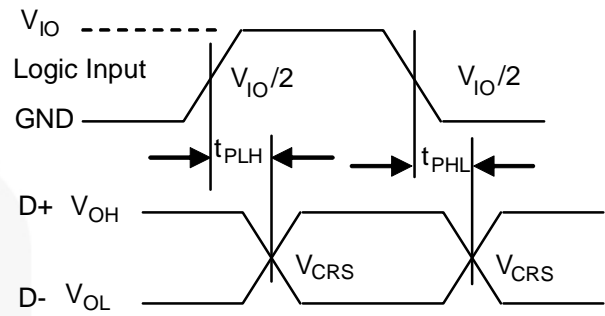


Figure 4. VO/FSE0/VPO/VMO to D+/D-

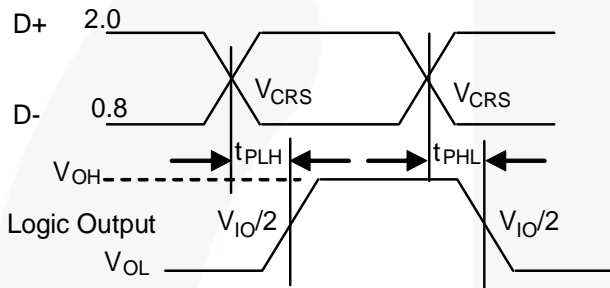


Figure 5. D+/D- to RCV, VP, and VM

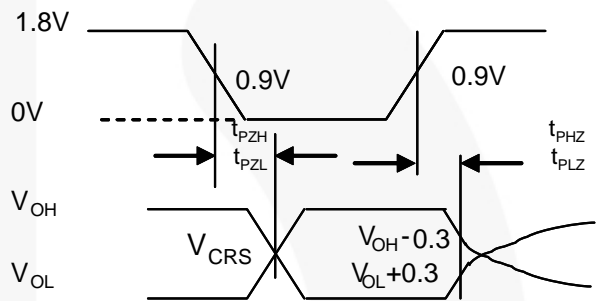
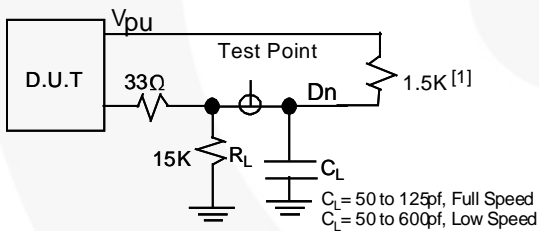


Figure 6. OE_N to D+/D-



[1] FS mode connect to D+; D+ and D- to be matched for R_L/C_L termination.

Figure 7. Load for D+/D-

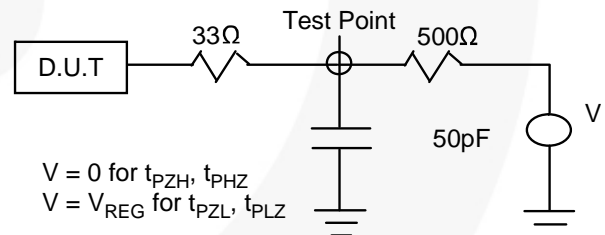


Figure 8. Load for Enable and Disable Time

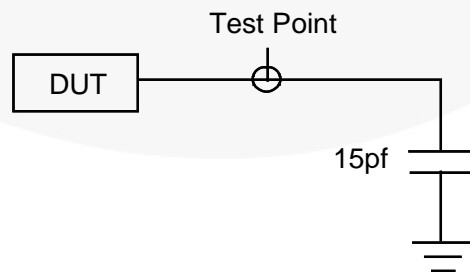


Figure 9. Load for VM, VP, and RCV

Functional Description

The FUSB1500 transceiver is designed to convert CMOS data into USB differential bus signal levels and to convert USB differential bus signals to CMOS data. The FUSB1500 supports the SE Mode interface from the controller and has an extended Control Mode that enables a simplified dedicated charger functionality via a weak pull-up resistance (nominally 125kΩ). This mode is described in Table 4.

To minimize EMI and noise, the outputs are edge-rate controlled with the rise and fall times defined for full-speed (12Mbps) and low-speed (1.5Mbps) data rates. The rise and fall times are balanced between the differential pins to minimize skew.

The FUSB1500 is defined as a self-powered device, or bus-powered where the regulation down to 3.3V is external to the FUSB1500, so it accepts the regulated 3.3V as its supply input. The V_{IO} rail supports I/Os of 1.65V to 3.6V.

If V_{IO} is lost, the pins go into the high-Z state. If V_{IO} is present, but the V_{REG3V3} power supply is lost, the high-Z detection circuit still functions.

USB Mode

Table 1 describes the specific pin functionality when USB Traffic Mode is selected. This is also referred to as normal mode. Table 2 and Table 3 describe the specific truth tables for driver and receiver operating functions.

Table 1. Function Table for USB Mode

OE_N	Hi-Z	D+, D-	RCV	VP/VM	Function
LOW	LOW	Driving & Receiving	Active	Active	Normal Driving (Differential Receiver Active)
HIGH	LOW	Receiving ⁽¹⁶⁾	Active	Active	Receiving
LOW	LOW	Driving	Inactive ⁽¹⁷⁾	Active ⁽¹⁸⁾	Driving during Suspend (Differential Receiver Inactive)

Notes:

- 16. Signal levels on the D+ and D- pins are determined by external connections and Table 4 (Extended Control Configurations).
- 17. When in Suspend Mode (see Table 4 for suspended configurations), the differential receiver is inactive and the RCV output is forced LOW. Out-of-suspend signaling (K) is detected via the single-ended receiver outputs VP and VM.
- 18. The states of VP and VM are functions of signal levels on D+/D- in normal mode.

Table 2. Driver Function (OE_N = L, HiZ= L or Floating) USB Transmit Mode

FSE0/VMO	VO/VPO	FUSB1500
		Data (D+, D-)
LOW	LOW	Differential Logic 0 (01)
LOW	HIGH	Differential Logic 1 (10)
HIGH	LOW	SE0 ⁽¹⁹⁾ (00)
HIGH	HIGH	SE0 ⁽¹⁹⁾ (00)

Note:

- 19. SE0 – Single-Ended Zero.

Table 3. Receiver Function (OE_N = H, HiZ= L or Floating) USB Receive Mode

D+, D-	RCV	VP ⁽²⁰⁾	VM ⁽²⁰⁾
Differential Logic 1	HIGH	HIGH	LOW
Differential Logic 0	LOW	LOW	HIGH
SE0	RCV ⁽²¹⁾	LOW	LOW
X-(Sharing Mode) ⁽²²⁾	LOW	HIGH	HIGH

Note:

- 20. VP = VM = HIGH indicates Sharing Mode.
- 21. Denotes the signal level on output RCV prior to the SE0 event. This level is stable during the SE0 event period.
- 22. Sharing mode is not a function of D+/D- but is entered when V_{IO} is present and V_{REG3V3} is disconnected.

Functional Description (Continued)

Extended Control Mode

This block of control has a multi-function role; it is used to signal a SE0 detect to the host via INT_N and uses a weak resistor pull-up method for charger detection.

Note that the signaling of SE0 via INT_N is only enabled for the state “011” and all SE0 events can still be decoded from the VP, VM, and RCV outputs.

When the three inputs (SUSPND, CONFIG, and SPEED_N) are not “011,” INT_N is not active; the SE0 detector (RCV = 0) is not active and its latch is set to HIGH. When the “011” is seen on the inputs, the FUSB1500/1501 is waiting for an SE0 event. When the SE0 event (deglitched) is detected, INT_N goes active

(HL transition). The host detects this INT_N signal and configures the inputs to the pattern “110” or “010” to keep the 1.5kΩ pull-up enabled. The INT_N signal is then de-asserted and the SE0 detector reset.

If a code other than “010” or “110” is written, the mode configuration is a function as described in Table 4 and the SE0 detector and INT_N are de-asserted to reset states.

When entering the state “111,” which enables the weak pull up resistor for charger detection, the D+/D- drivers are automatically configured to USB receive mode (equivalent to OE_N HIGH).

Figure 10 shows the extended control logic and Table 4 the truth table for the extended control.

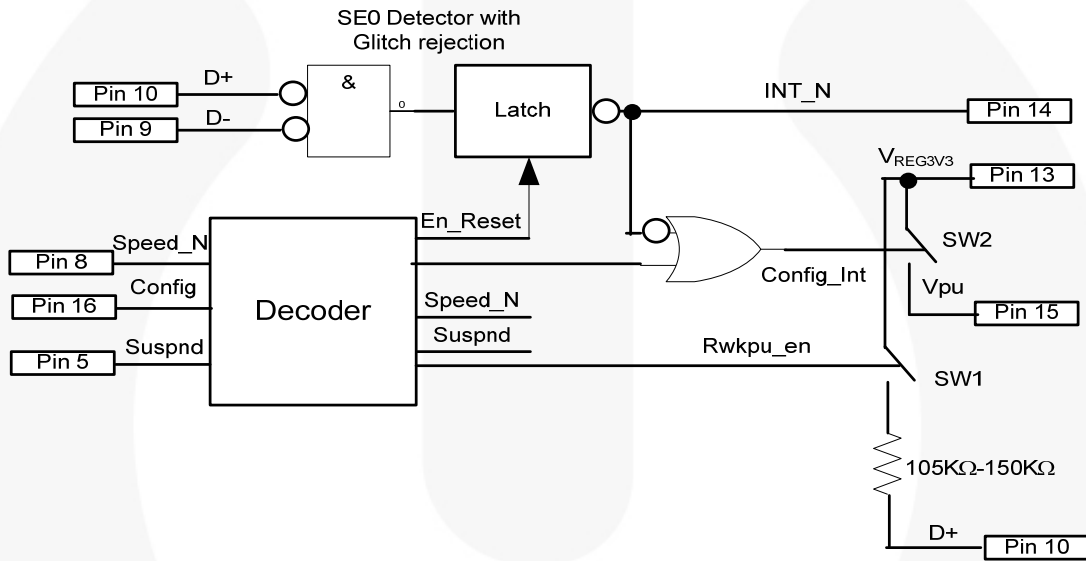


Figure 10. Extended Control Function

Table 4. Extended Control

Hi-Z	SUSPND	CONFIG	SPEED_N	Function		
0	0	0	0	No 1.5kΩ Pull-up	FS	USB Mode, Default State
0	0	1	0	1.5kΩ Pull-up	FS	USB Mode
0	0	0	1	No 1.5kΩ Pull-up	LS	USB Mode
0	0	1	1	Pull-up On After Detecting SE0	FS	Suspend, Conditional Pull-up
0	1	0	0	No 1.5kΩ Pull-up	FS	Suspend
0	1	1	0	1.5kΩ Pull-up	FS	Suspend
0	1	0	1	No 1.5kΩ Pull-up	LS	Suspend
0	1	1	1	No 1.5kΩ Pull-up, 125kΩ Pull-up Connected		USB Rx Mode & RWPU On
1	X	X	X	VP, VM, D+, D-, RCV High Impedance, SW1 and SW2 Open		Hi-Z Mode

Functional Description (Continued)

Power Supply Configurations and Options

The three modes of power-supply operation are:

- **Normal Mode** – The VIO and VREG3V3 pins are connected. VIO is an independent voltage source (1.65 to 3.6V) that is a function of the external circuit configuration.
- **Disable Mode** – VIO is not connected; VREG3V3 is connected. In this mode, the D+, D- pins are three-state and the device enters low-power (suspended) state upon detection of VIO lost.
- **Hi-Z Mode** – When the Hi-Z pin is pulled HIGH, with VREG3V3 powered, the RCV/VP/VM interface can be used to access the Baseband for production test programming. VP/VM/RCV are in high impedance states.

- **Sharing Mode** – VIO is the only supply connected. In this mode, the D+ and D- pins are three-state and the FUSB1500 allows external signals up to 3.6V to share the D+ and D- bus lines. Internally, the circuitry limits leakage from the D+ and D- pins (maximum 10μA) and VIO such that device is in low-power (suspended) state. The VP and VM pins are driven HIGH and RCV is forced LOW as an indication of this mode. Can be used for production test programming via D+/D-. to UART or Baseband processor. HiZ is to be Low or Floating to ensure VP/VM/RCV is signaled to processor.

A summary of the supply configurations is described in Table 5.

Table 5. Power Supply Mode Configuration Options

Pin	Hi-Z	Sharing	Disable	Normal
VREG3V3	3.3V Externally Supplied	Not Connected	Connected	3.3V Externally Supplied
VIO	1.65 - 3.6V Source	1.65-3.60V Source	Not Connected	1.65V- 3.60V Source
VPU	Three-State (Off)	Three-State (Off)	Three-State (Off)	Function of Mode Set-up
D+, D-	Three-State	Three-State	Three-State	Function of Mode Set-up
VP / VM	Three-State	HIGH	Invalid ⁽²³⁾	Function of Mode Set-up
RCV	Three-State	LOW	Invalid ⁽²³⁾	Function of Mode Set-up
VPO, VMO, SPEED_N, OE_N, SUSPND, CONFIG	Inputs	Inputs	Three-State	Function of Mode Set-up
HiZ	HIGH	LOW or Floating	Three-State	LOW or Floating
INT_N	HIGH	HIGH	Three-State	Function of Mode Set-up

Note:

23. Three-state or driven LOW.

Single Ended Zero Detection Timing

The SE0 detection logic is activated when entering the state "011" (SUSPND, CONFIG, and SPEED_N) and the logic waits to detect an SE0 event. Since the FUSB1500 can also be used as an LS host device, it is important to ensure that the t_{LST} time for the USB2.0 specification is met. t_{LST} is the minimum time to not interpret LS differential signaling as an SE0 and is 210ns in duration. Similarly for FS differential signaling, there is a time period, t_{FST} time, of 14ns.

Seeing an SE0 for greater than t_{LST} results in the INT_N pin toggling LOW. The FUSB1500 is designed for 260ns (typical).

Exiting HiZ or Suspend Mode Timing

As the RCV path is required to maintain the previous state through an SE0 event, there is the possibility when exiting HiZ or Suspend Mode to have the previous result stored. The transition through the SE0 decode logic is such that software should ignore RCV for at least 100ns when exiting HiZ mode to ensure the correct D+/D- state is available on the RCV output.

Hi-Z and Sharing Mode for Production Test

When in production test, to gain access to the processor or UART, the D+/D- pins can be used (Sharing Mode) or the RCV/VP/VM interface of the host side of the FUSB1500 (Hi-Z). If sharing the D+/D- pins then VREG3V3 is unpowered and the processor is signaled this mode via the VP/VM outputs being pulled High and the RCV pin is pulled Low.

If the RCV/VP/VM interface is to be used by production test then Hi-Z is pulled High, with VREG3V3 remaining powered.

Figure 11 indicates the production test scenarios.

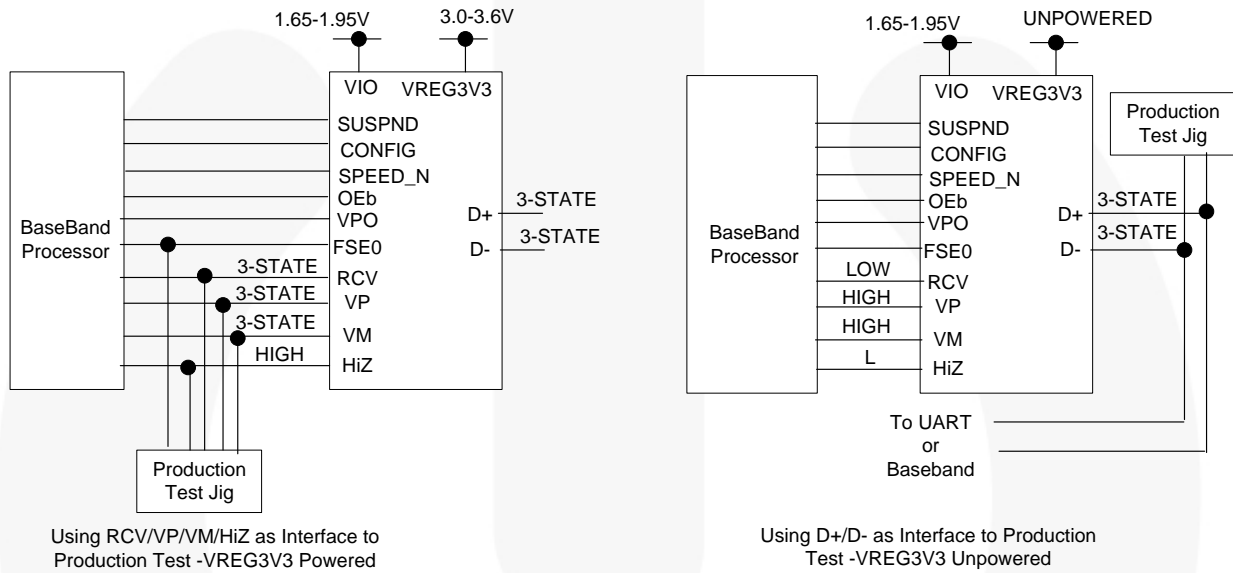
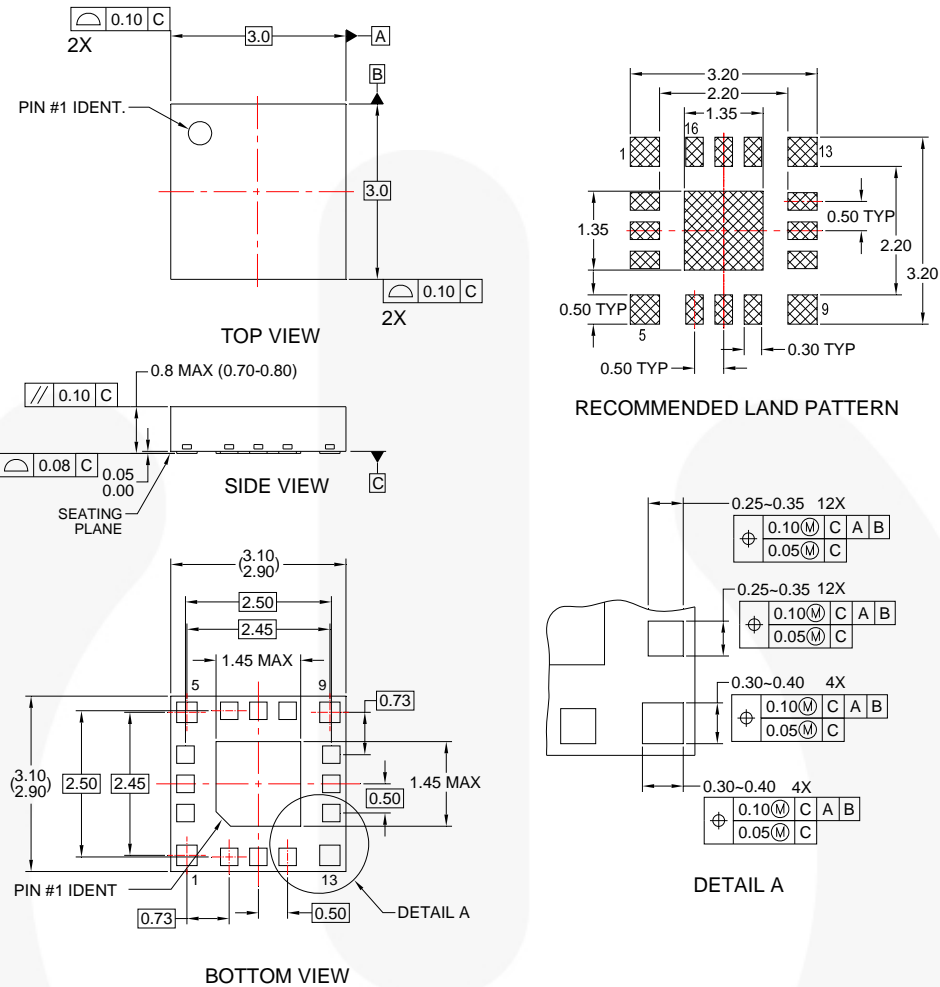


Figure 11. Production Test Using Hi-Z or Sharing Mode

Physical Dimensions



NOTES:

- A. SIMILAR TO JEDEC REGISTRATION MO-217,
- B. DIMENSIONS ARE IN MILLIMETERS.
- C. DIMENSIONS AND TOLERANCES PER ASME Y14.5M, 1994
- D. LANDPATTERN RECOMMENDATION IS PER FSC INTERNAL DESIGN
- E. DRAWING FILENAME: MLP16HBrev4

Figure 12. 16-Pin, Molded Leadless Package (MLP), JEDEC MO217 Equivalent, 3mm Square

Package drawings are provided as a service to customers considering Fairchild components. Drawings may change in any manner without notice. Please note the revision and/or date on the drawing and contact a Fairchild Semiconductor representative to verify or obtain the most recent revision. Package specifications do not expand the terms of Fairchild's worldwide terms and conditions, specifically the warranty therein, which covers Fairchild products.

Always visit Fairchild Semiconductor's online packaging area for the most recent package drawings:
<http://www.fairchildsemi.com/packaging/>.




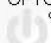
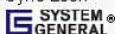
Tape and Reel Specifications

Please visit Fairchild Semiconductor's online packaging area for the most recent tape and reel specifications:
http://www.fairchildsemi.com/packaging/3x3MLP_Pack_TNR_16L.pdf.



TRADEMARKS

The following includes registered and unregistered trademarks and service marks, owned by Fairchild Semiconductor and/or its global subsidiaries, and is not intended to be an exhaustive list of all such trademarks.

- | | | | |
|---|---|---|---|
| AccuPower™ | F-PFS™ | Power-SPM™ | The Power Franchise® |
| Auto-SPM™ | FRFET® | PowerTrench® | The Right Technology for Your Success™ |
| AX-CAP™ | Global Power Resource™ | PowerXS™ | the power franchise |
| Build it Now™ | Green FPST™ | Programmable Active Droop™ | TinyBoost™ |
| CorePLUS™ | Green FPST™ e-Series™ | QFET® | TinyBuck™ |
| CorePOWER™ | Gmax™ | QS™ | TinyCalc™ |
| CROSSVOLT™ | GTO™ | Quiet Series™ | TinyLogic® |
| CTL™ | IntelliMAX™ | RapidConfigure™ | TINYOPTO™ |
| Current Transfer Logic™ | ISOPLANAR™ |  | TinyPower™ |
| DEUXPEED® | MegaBuck™ | Saving our world, 1mW/W/kW at a time™ | TinyPWM™ |
| Dual Core™ | MICROCOUPLER™ | SignalWise™ | TinyWire™ |
| EcoSPARK® | MicroFET™ | SmartMax™ | TriFault Detect™ |
| EfficientMax™ | MicroPak™ | SMART START™ | TRUECURRENT® |
| ESBC™ | MicroPak2™ | SPM® | µSerDes™ |
|  | MillerDrive™ | STEALTH™ |  |
| Fairchild® | MotionMax™ | SuperFET® | UHC |
| Fairchild Semiconductor® | Motion-SPM™ | SuperSOT™-3 | Ultra FRFET™ |
| FACT Quiet Series™ | mWSaver™ | SuperSOT™-8 | UniFET™ |
| FACT® | OptoHIT™ | SuperSOT™-8 | VCX™ |
| FAST® | OPTOLOGIC® | SupreMOS® | VisualMax™ |
| FastvCore™ | OPTOPLANAR® | SyncFET™ | XS™ |
| FETBench™ |  | Sync-Lock™ | |
| FlashWriter® | PDP-SPM™ |  | |
| FPS™ | | | |

* Trademarks of System General Corporation, used under license by Fairchild Semiconductor.

DISCLAIMER

FAIRCHILD SEMICONDUCTOR RESERVES THE RIGHT TO MAKE CHANGES WITHOUT FURTHER NOTICE TO ANY PRODUCTS HEREIN TO IMPROVE RELIABILITY, FUNCTION, OR DESIGN. FAIRCHILD DOES NOT ASSUME ANY LIABILITY ARISING OUT OF THE APPLICATION OR USE OF ANY PRODUCT OR CIRCUIT DESCRIBED HEREIN; NEITHER DOES IT CONVEY ANY LICENSE UNDER ITS PATENT RIGHTS, NOR THE RIGHTS OF OTHERS. THESE SPECIFICATIONS DO NOT EXPAND THE TERMS OF FAIRCHILD'S WORLDWIDE TERMS AND CONDITIONS, SPECIFICALLY THE WARRANTY THEREIN, WHICH COVERS THESE PRODUCTS.

LIFE SUPPORT POLICY

FAIRCHILD'S PRODUCTS ARE NOT AUTHORIZED FOR USE AS CRITICAL COMPONENTS IN LIFE SUPPORT DEVICES OR SYSTEMS WITHOUT THE EXPRESS WRITTEN APPROVAL OF FAIRCHILD SEMICONDUCTOR CORPORATION.

As used herein:

- Life support devices or systems are devices or systems which, (a) are intended for surgical implant into the body or (b) support or sustain life, and (c) whose failure to perform when properly used in accordance with instructions for use provided in the labeling, can be reasonably expected to result in a significant injury of the user.
- A critical component in any component of a life support, device, or system whose failure to perform can be reasonably expected to cause the failure of the life support device or system, or to affect its safety or effectiveness.

ANTI-COUNTERFEITING POLICY

Fairchild Semiconductor Corporation's Anti-Counterfeiting Policy. Fairchild's Anti-Counterfeiting Policy is also stated on our external website, www.fairchildsemi.com, under Sales Support.

Counterfeiting of semiconductor parts is a growing problem in the industry. All manufacturers of semiconductor products are experiencing counterfeiting of their parts. Customers who inadvertently purchase counterfeit parts experience many problems such as loss of brand reputation, substandard performance, failed applications, and increased cost of production and manufacturing delays. Fairchild is taking strong measures to protect ourselves and our customers from the proliferation of counterfeit parts. Fairchild strongly encourages customers to purchase Fairchild parts either directly from Fairchild or from Authorized Fairchild Distributors who are listed by country on our web page cited above. Products customers buy either from Fairchild directly or from Authorized Fairchild Distributors are genuine parts, have full traceability, meet Fairchild's quality standards for handling and storage and provide access to Fairchild's full range of up-to-date technical and product information. Fairchild and our Authorized Distributors will stand behind all warranties and will appropriately address any warranty issues that may arise. Fairchild will not provide any warranty coverage or other assistance for parts bought from Unauthorized Sources. Fairchild is committed to combat this global problem and encourage our customers to do their part in stopping this practice by buying direct or from authorized distributors.

PRODUCT STATUS DEFINITIONS

Definition of Terms

Datasheet Identification	Product Status	Definition
Advance Information	Formative / In Design	Datasheet contains the design specifications for product development. Specifications may change in any manner without notice.
Preliminary	First Production	Datasheet contains preliminary data; supplementary data will be published at a later date. Fairchild Semiconductor reserves the right to make changes at any time without notice to improve design.
No Identification Needed	Full Production	Datasheet contains final specifications. Fairchild Semiconductor reserves the right to make changes at any time without notice to improve the design.
Obsolete	Not In Production	Datasheet contains specifications on a product that is discontinued by Fairchild Semiconductor. The datasheet is for reference information only.

Rev. I53

ON Semiconductor and  are trademarks of Semiconductor Components Industries, LLC dba ON Semiconductor or its subsidiaries in the United States and/or other countries. ON Semiconductor owns the rights to a number of patents, trademarks, copyrights, trade secrets, and other intellectual property. A listing of ON Semiconductor's product/patent coverage may be accessed at www.onsemi.com/site/pdf/Patent-Marking.pdf. ON Semiconductor reserves the right to make changes without further notice to any products herein. ON Semiconductor makes no warranty, representation or guarantee regarding the suitability of its products for any particular purpose, nor does ON Semiconductor assume any liability arising out of the application or use of any product or circuit, and specifically disclaims any and all liability, including without limitation special, consequential or incidental damages. Buyer is responsible for its products and applications using ON Semiconductor products, including compliance with all laws, regulations and safety requirements or standards, regardless of any support or applications information provided by ON Semiconductor. "Typical" parameters which may be provided in ON Semiconductor data sheets and/or specifications can and do vary in different applications and actual performance may vary over time. All operating parameters, including "Typicals" must be validated for each customer application by customer's technical experts. ON Semiconductor does not convey any license under its patent rights nor the rights of others. ON Semiconductor products are not designed, intended, or authorized for use as a critical component in life support systems or any FDA Class 3 medical devices or medical devices with a same or similar classification in a foreign jurisdiction or any devices intended for implantation in the human body. Should Buyer purchase or use ON Semiconductor products for any such unintended or unauthorized application, Buyer shall indemnify and hold ON Semiconductor and its officers, employees, subsidiaries, affiliates, and distributors harmless against all claims, costs, damages, and expenses, and reasonable attorney fees arising out of, directly or indirectly, any claim of personal injury or death associated with such unintended or unauthorized use, even if such claim alleges that ON Semiconductor was negligent regarding the design or manufacture of the part. ON Semiconductor is an Equal Opportunity/Affirmative Action Employer. This literature is subject to all applicable copyright laws and is not for resale in any manner.

PUBLICATION ORDERING INFORMATION

LITERATURE FULFILLMENT:

Literature Distribution Center for ON Semiconductor
19521 E. 32nd Pkwy, Aurora, Colorado 80011 USA
Phone: 303-675-2175 or 800-344-3860 Toll Free USA/Canada
Fax: 303-675-2176 or 800-344-3867 Toll Free USA/Canada
Email: orderlit@onsemi.com

N. American Technical Support: 800-282-9855 Toll Free
USA/Canada
Europe, Middle East and Africa Technical Support:
Phone: 421 33 790 2910
Japan Customer Focus Center
Phone: 81-3-5817-1050

ON Semiconductor Website: www.onsemi.com
Order Literature: <http://www.onsemi.com/orderlit>
For additional information, please contact your local
Sales Representative

X-ON Electronics

Largest Supplier of Electrical and Electronic Components

Click to view similar products for [Bus Transceivers](#) category:

Click to view products by [ON Semiconductor](#) manufacturer:

Other Similar products are found below :

[74LS645N](#) [PI74LVCC3245AS](#) [5962-8683401DA](#) [5962-8968201LA](#) [5962-8953501KA](#) [5962-86834012A](#) [5962-7802002MFA](#)
[TC74VCX164245\(EL,F](#) [MC74LCX245MNTWG](#) [TC7WPB8306L8X,LF\(S](#) [MM74HC245AMTCX](#) [74LVX245MTC](#) [74ALVC16245MTDX](#)
[74LCXR162245MTX](#) [74LVXC3245MTCX](#) [74VHC245M](#) [74VHC245MX](#) [JM38510/65553BRA](#) [FXL2TD245L10X](#) [74LVC1T45GM,115](#)
[74LVC245ADTR2G](#) [TC74AC245P\(F\)](#) [SNJ54LS245FK](#) [74LVT245BBT20-13](#) [74AHC245D.112](#) [74AHCT245D.112](#)
[SN74LVCH16952ADGGR](#) [CY74FCT16245TPVCT](#) [74AHCT245PW.118](#) [74LV245DB.118](#) [74LV245D.112](#) [74LV245PW.112](#)
[74LVC2245APW.112](#) [74LVCH245AD.112](#) [SN75138NSR](#) [AP54RHC506ELT-R](#) [AP54RHC506BLT-R](#) [74LVCR162245ZQLR](#)
[SN74LVCR16245AZQLR](#) [MC100EP16MNR4G](#) [MC100LVEP16MNR4G](#) [714100R](#) [74HCT643N](#) [MC100EP16DTR2G](#) [5962-9221403MRA](#)
[74ALVC164245PAG](#) [74FCT16245ATPAG](#) [74FCT16245ATPVG](#) [74FCT16245ETPAG](#) [74FCT245CTSOG](#)