



ON Semiconductor®

<http://onsemi.com>

LB1845

Monolithic Digital IC PWM Current Controlling Stepping Motor Driver

Overview

The LB1845 is a PWM current control type stepping motor driver that uses a bipolar drive scheme. It is particularly suitable for driving carriage and paper feed stepping motors in printers and similar products.

Features

- PWM current control (fixed off time scheme)
- Digital load current selection function
- Sustained output voltage: 45V
- Built-in thermal shutdown circuit

Specifications

Absolute Maximum Ratings at $T_a = 25^\circ\text{C}$

Parameter	Symbol	Conditions	Ratings	Unit
Motor supply voltage	$V_{BB \text{ max}}$		45	V
Peak output current	$I_O \text{ peak}$	$t_W \leq 20\mu\text{s}$	1.75	A
Continuous output current	$I_O \text{ max}$		1.5	A
Logic block supply voltage	V_{CC}		7.0	V
Logic input voltage range	V_{IN}		-0.3 to V_{CC}	V
Emitter output voltage	V_E		1.0	V
Allowable power dissipation	Pd max1	Independent IC	3.0	W
	Pd max2	With an arbitrarily large heat sink	20.0	W
Operating temperature	T_{opr}		-20 to +85	$^\circ\text{C}$
Storage temperature	T_{stg}		-55 to +150	$^\circ\text{C}$

Stresses exceeding Maximum Ratings may damage the device. Maximum Ratings are stress ratings only. Functional operation above the Recommended Operating Conditions is not implied. Extended exposure to stresses above the Recommended Operating Conditions may affect device reliability.

LB1845

Recommended Operating Ranges at $T_a = 25^\circ\text{C}$

Parameter	Symbol	Conditions	Ratings	Unit
Motor supply voltage	V_{BB}		10 to 44.5	V
Logic block supply voltage	V_{CC}		4.75 to 5.25	V
Reference voltage	V_{REF}		1.5 to 7.5	V

Electrical Characteristics at $T_a = 25^\circ\text{C}$, $V_{BB} = 38\text{V}$, $V_{CC} = 5\text{V}$, $V_{REF} = 5\text{V}$

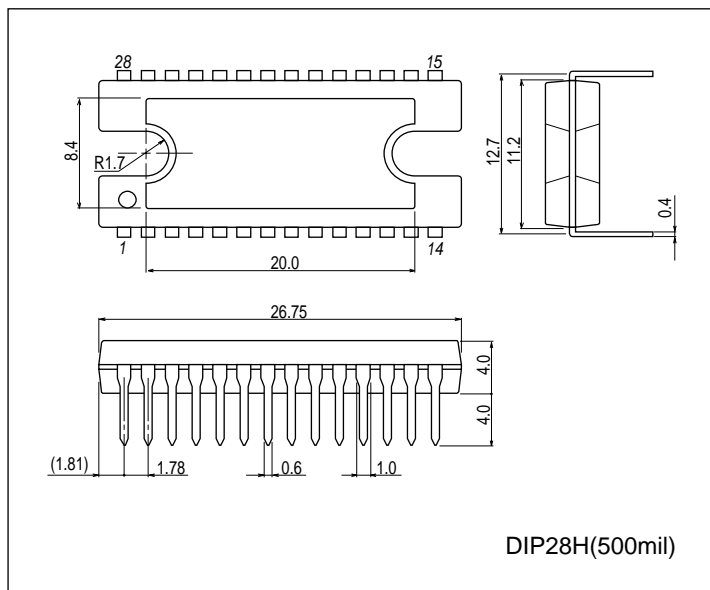
Parameter	Symbol	Conditions	Ratings			unit
			min	typ	max	
[Output Block]						
Output stage supply current	I_{BB} ON			12	16	mA
	I_{BB} OFF			0.7	0.9	
Output saturation voltage 1	$V_O(\text{sat})1$	$I_O = +1.0\text{A Sink}$		1.2	1.4	V
	$V_O(\text{sat})2$	$I_O = +1.5\text{A Sink}$		1.4	1.7	
	$V_O(\text{sat})3$	$I_O = -1.0\text{A Source}$		1.1	1.3	
	$V_O(\text{sat})4$	$I_O = -1.5\text{A Source}$		1.3	1.6	
Output leakage current	$I_O(\text{leak})1$	$V_O = V_{BB}$ Sink			50	μA
	$I_O(\text{leak})2$	$V_O = 0\text{V}$ Source	-50			
Sustained output voltage	$V(\text{sus})$	*	45			V
[Logic Block]						
Logic supply current	I_{CC} ON	$I_O = 0.8\text{V}$, $I_1 = 0.8\text{V}$		19.5	25.3	mA
	I_{CC} OFF	$I_O = 2.4\text{V}$, $I_1 = 2.4\text{V}$		15.5	20.1	
Input voltage	V_{IH}		2.4			V
	V_{IL}				0.8	
Input current	I_{IH}	$V_{IH} = 2.4\text{V}$			10	μA
	I_{IL}	$V_{IL} = 0.8\text{V}$	-10			
Current control threshold voltage	V_{REF}/V_{SENSE}	$I_O = 0.8\text{V}$, $I_1 = 0.8\text{V}$	9.5	10	10.5	
		$I_O = 2.4\text{V}$, $I_1 = 0.8\text{V}$	13.5	15	16.5	
		$I_O = 0.8\text{V}$, $I_1 = 2.4\text{V}$	25.5	30	34.5	
Thermal shutdown temperature	T_S			170		$^\circ\text{C}$

* Note: Design guaranteed value.

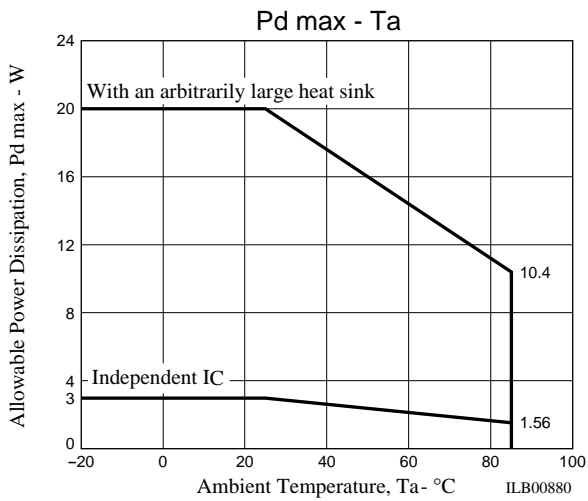
Package Dimensions

unit: mm (typ)

3147C



LB1845



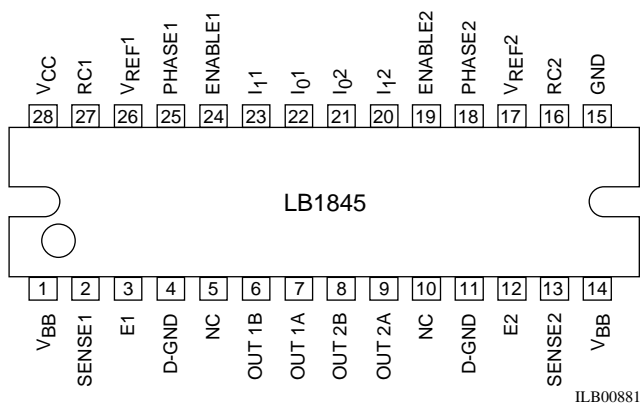
Truth Table

ENABLE	PHASE	OUTA	OUTB
L	H	H	L
L	L	L	H
H	-	OFF	OFF

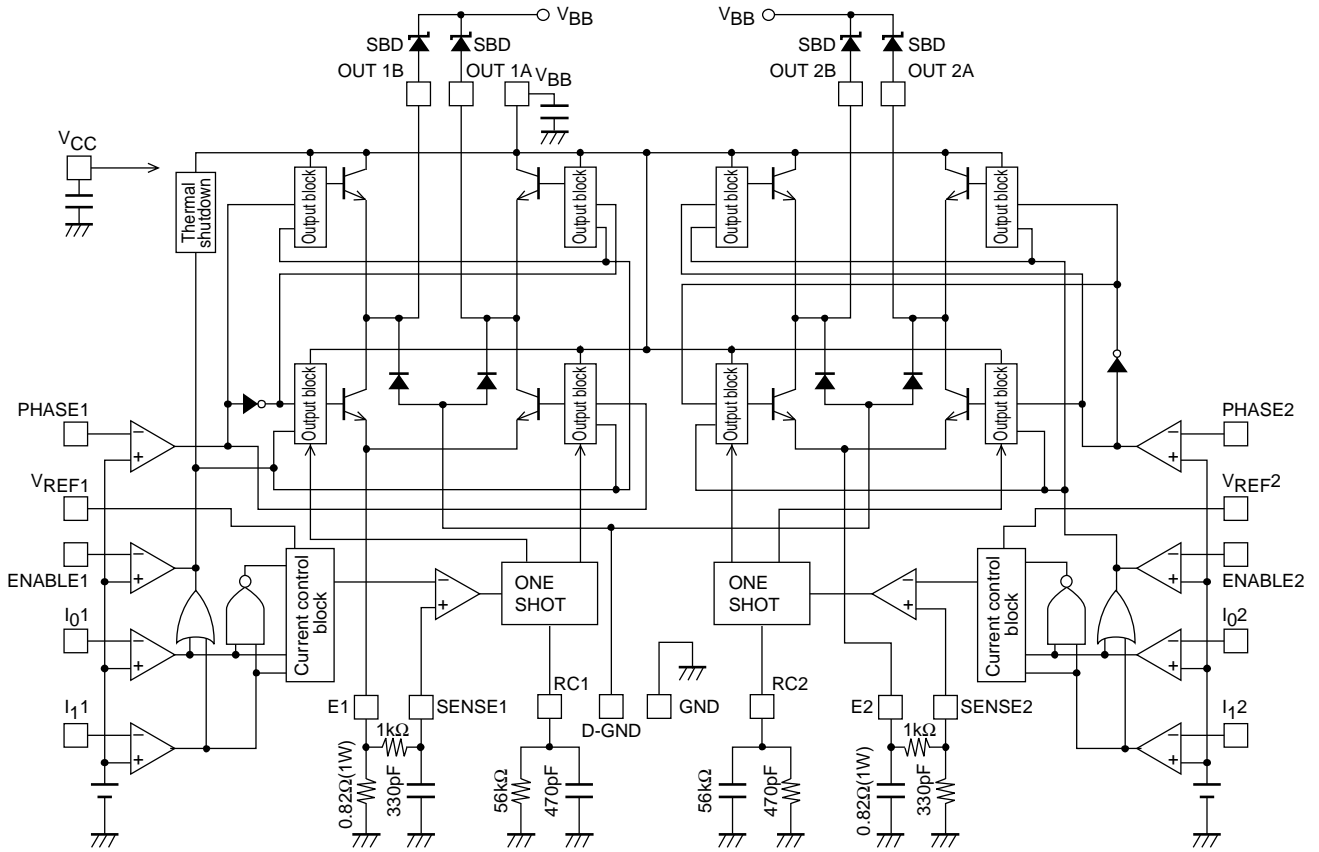
I ₀	I ₁	Output Current
L	L	$V_{REF}/(10 \times R_E) = I_{OUT}$
H	L	$V_{REF}/(15 \times R_E) = I_{OUT} \times 2/3$
L	H	$V_{REF}/(30 \times R_E) = I_{OUT} \times 1/3$
H	H	0

Note: Outputs is OFF when ENABLE is high or in the I₀ = I₁ = high state.

Pin Assignment

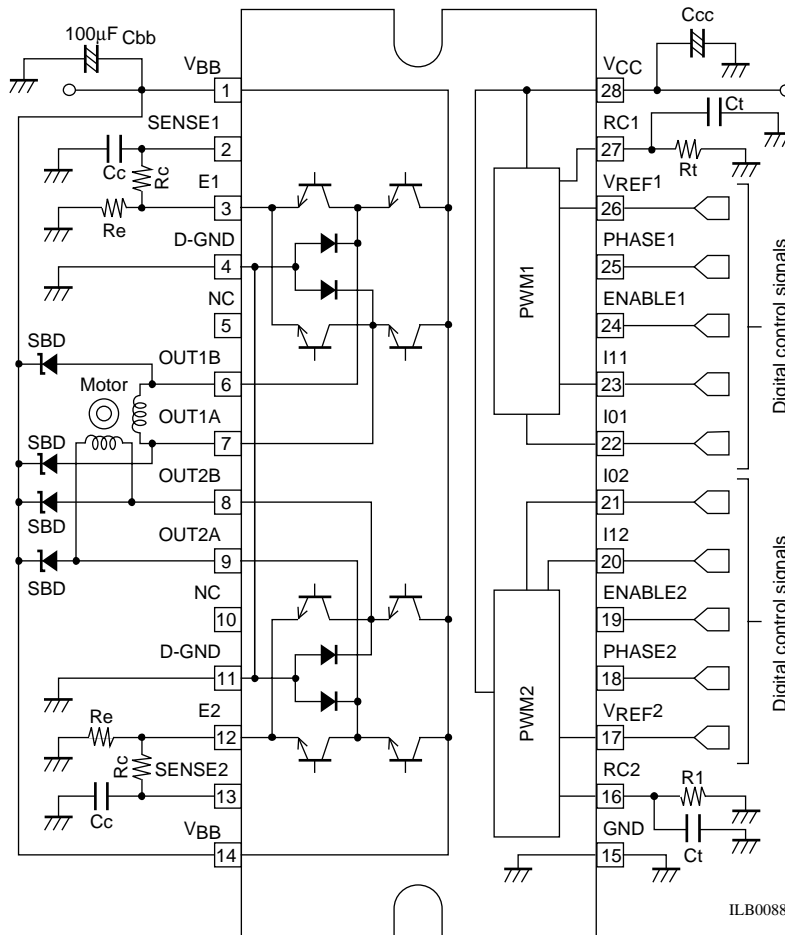


Block Diagram



ILB00882

Application Circuit Diagram



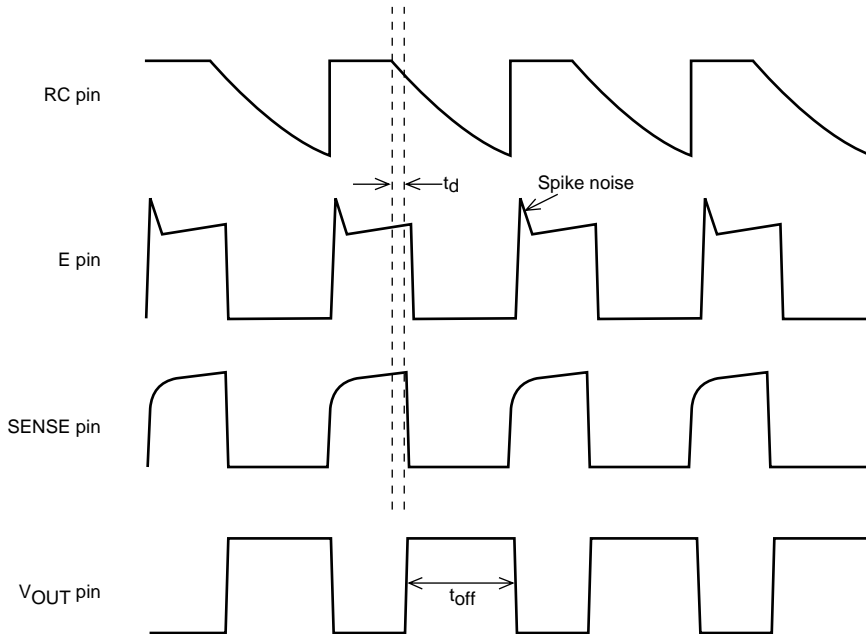
Off time setting values
 $t_{off} = C_t R_t$
 $V_{REF} = 5V$
 $R_t = 56k\Omega$
 $C_t = 470pF$
 $R_c = 1k\Omega$
 $C_c = 330pF$
 $C_{bb} = 100\mu F$

ILB00883

Pin Description

Pin No	Pin	Function
1, 14	V _{BB}	Output stage power-supply voltage
2 13	SENSE1 SENSE2	Set current detection pins. Connect these pins, fed back through noise filters, to E1 and E2.
3 12	E1 E2	The set current is controlled by the resistors R _e inserted between these pins and ground.
4, 11	D-GND	Internal diode anode connection
6 7 8 9	OUT1B OUT1A OUT2B OUT2A	Outputs
15	GND	Ground
27 16	RC1 RC2	Used to set the output off time for the switched output signal. The fixed off times are set by the capacitors and resistors connected to these pins. $t_{off} = CR$.
26 17	V _{REF1} V _{REF2}	Output current settings The output current is determined by the voltage (in the range 1.5 to 7.5V) input to these pins.
25 18	PHASE1 PHASE2	Output phase switching inputs. High-level input: OUTA = high, OUTB = low Low-level input: OUTA = low, OUTB = high
24 19	ENABLE1 ENABLE2	Output on/off settings High-level input: output off Low-level input: output on
22, 23 21, 20	I ₀₁ , I ₁₁ I ₀₂ , I ₁₂	Digital inputs that set the output current The output currents can be set to 1/3, 2/3, or full by setting these pins to appropriate combinations of high and low levels.
28	V _{CC}	Logic block power supply

Timing chart for pin switching operations during PWM drive



ILB00884

Figure 1 Switching Waveforms

t_{off} : Output off time. Determined by external capacitor and resistor C_t and R_t. ($t_{off} \approx C_t \times R_t$)

t_d : Delay time between the point the set current is sensed at the SENSE pin and the point the output turns off.

Usage Notes

1. External diode

Since this IC adopts a system based on lower side transistor switching drive, an external diode for the regenerative current that occurs during switching is required between V_{BB} and V_{OUT} . Use a Schottky barrier diode with a low feedthrough current.

2. Noise filters

Since spike noise (see Figure 1) occurs when switching to the on state due to the external diode's feedthrough current, applications must remove noise from the SENSE pin with a noise filter (C_c , R_c) between the E pin and the SENSE pin.

However, note that if the values of C_c and R_c are too large, the SENSE voltage rise will be slowed, and the current setting will be shifted towards a higher current level.

3. V_{REF} pin

It is possible to change the output current continuously by continuously changing the V_{REF} pin voltage. However, this voltage cannot be set to 0V. The V_{REF} pin input impedance is $26k\Omega$ ($\pm 30\%$) when V_{REF} is 5V. Since this pin is used to set the output current, applications must be designed so that noise does not appear on this pin's input.

4. GND pin

Since this IC switches large currents, care must be taken to avoid ground loops when the IC is mounted in the application. The section of the PCB that handles large currents should be designed with a low-impedance pattern, and must be separated from the small signal sections of the circuit. In particular, the ground for the sense resistor R_e must be as close as possible to the IC ground.

5. Operation in hold mode

There are cases where a current somewhat larger than the current setting may flow in hold mode (light load mode). Since this IC adopts a lower side switching, lower side sense system, the emitter voltage falls and the sense voltage goes to 0 when the switching state goes to off. The circuit then always turns the output on after the toff period has elapsed. At this time, due to the light load, the existence of the time t_d , and the fact that the output goes on even if the output current is higher than the set current, the output current will be somewhat higher than the set current.

Applications should set the current setting somewhat lower than required if this occurs.

6. Function for preventing the upper and lower outputs being on at the same time

This IC incorporates a built-in circuit that prevents the through currents that occur when the phase is switched. The table lists the output on and off delay times when PHASE and EANBLE are switched.

		Sink side	Source side
When PHASE is switched	On delay time	10 μ s	9 μ s
	Off delay time	1.5 μ s	3 μ s
When ENABLE is on	On delay time	9 μ s	9 μ s
	Off delay time	1.5 μ s	6.5 μ s

7. 1-2 phase excitation and the double 1-2 phase excitation control sequence

To reduce the vibration that occurs when the motor turns, this IC supports 1-2 phase excitation and double 1-2 phase excitation by using the output current setting digital input pins I_0 and I_1 without changing the V_{REF} pin voltage.

Tables 1 and 2 list that control sequence, and Figure 2 and Figure 3 present the composite vector diagram for this sequence.

2. Noise filters

Table 1 [1-2 phase excitation] 1/2 Step

ENABLE1 = ENABLE2 = 0

No	Phase A				Phase B			
	PH1	I ₁₁	I ₀₁	Current Value	PH2	I ₁₂	I ₀₂	Current Value
0	0	0	0	1	*	1	1	0
1	0	0	1	2/3	0	0	1	2/3
2	*	1	1	0	0	0	0	1
3	1	0	1	2/3	0	0	1	2/3
4	1	0	0	1	*	1	1	0
5	1	0	1	2/3	1	0	1	2/3
6	*	1	1	0	1	0	0	1
7	0	0	1	2/3	1	0	1	2/3

Table 2 [Double 1-2 phase excitation] about 1/4 Step

ENABLE1 = ENABLE2 = 0

No	Phase A				Phase B			
	PH1	I ₁₁	I ₀₁	Current Value	PH2	I ₁₂	I ₀₂	Current Value
0	0	0	0	1	*	1	1	0
1	0	0	0	1	0	1	0	1/3
2	0	0	1	2/3	0	0	1	2/3
3	0	1	0	1/3	0	0	0	1
4	*	1	1	0	0	0	0	1
5	1	1	0	1/3	0	0	0	1
6	1	0	1	2/3	0	0	1	2/3
7	1	0	0	1	0	1	0	1/3
8	1	0	0	1	*	1	1	0
9	1	0	0	1	1	1	0	1/3
10	1	0	1	2/3	1	0	1	2/3
11	1	1	0	1/3	1	0	0	1
12	*	1	1	0	1	0	0	1
13	0	1	0	1/3	1	0	0	1
14	0	0	1	2/3	1	0	1	2/3
15	0	0	0	1	1	1	0	1/3

Composite Vector Diagram

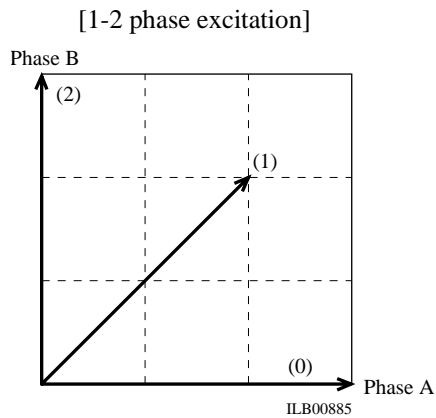


Figure 2 Composite Vector Diagram for the Sequence in Table 1 (1/4 cycle)

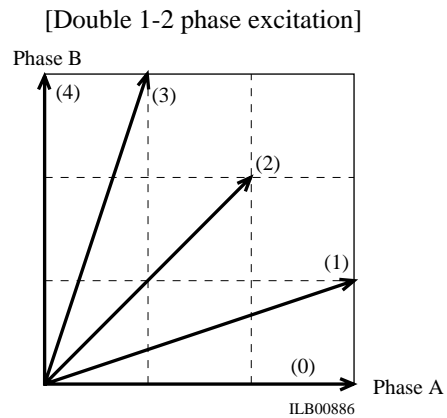
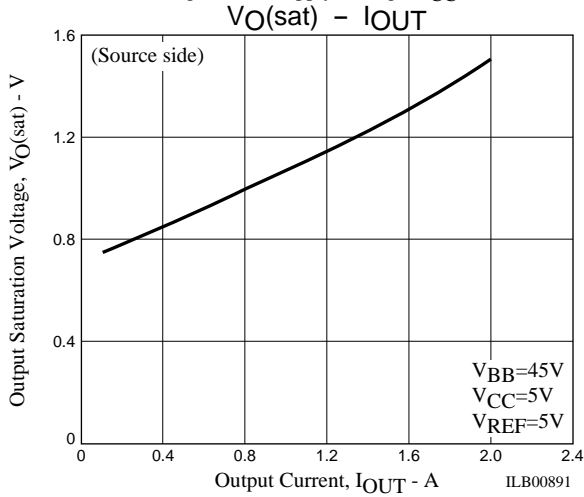
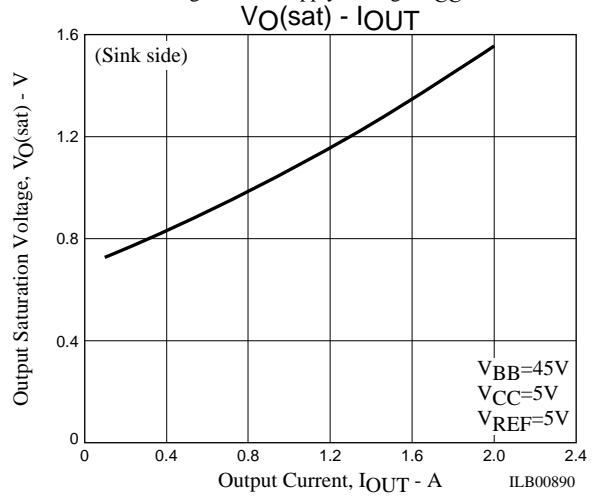
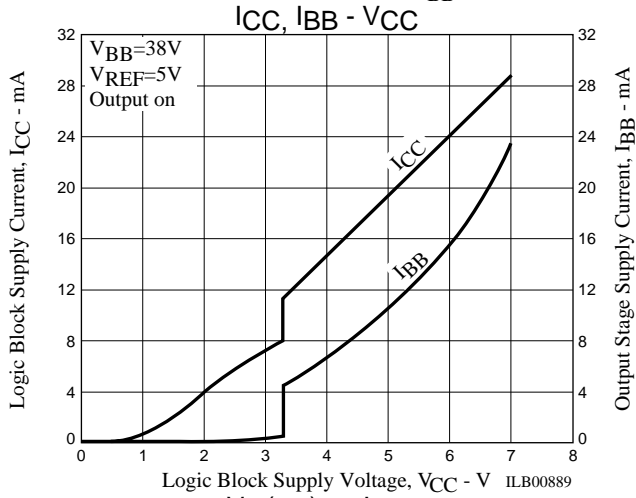
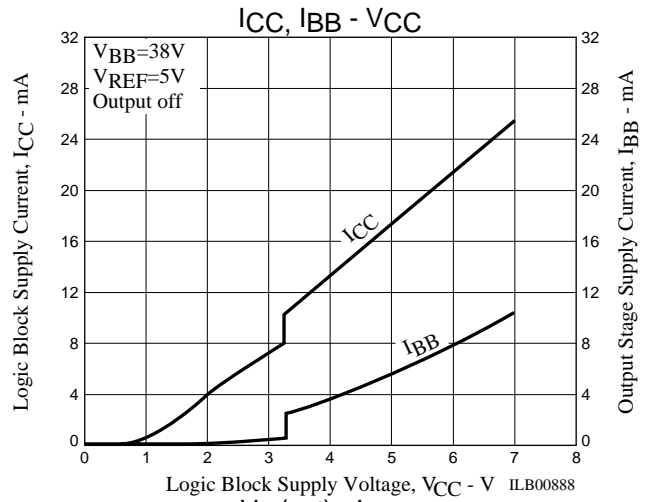
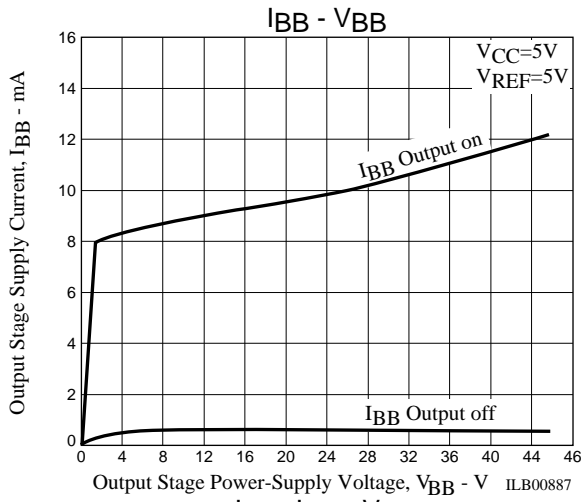


Figure 3 Composite Vector Diagram for the Sequence in Table 2 (1/4 cycle)



ON Semiconductor and the ON logo are registered trademarks of Semiconductor Components Industries, LLC (SCILLC). SCILLC owns the rights to a number of patents, trademarks, copyrights, trade secrets, and other intellectual property. A listing of SCILLC's product/patent coverage may be accessed at www.onsemi.com/site/pdf/Patent-Marking.pdf. SCILLC reserves the right to make changes without further notice to any products herein. SCILLC makes no warranty, representation or guarantee regarding the suitability of its products for any particular purpose, nor does SCILLC assume any liability arising out of the application or use of any product or circuit, and specifically disclaims any and all liability, including without limitation special, consequential or incidental damages. "Typical" parameters which may be provided in SCILLC data sheets and/or specifications can and do vary in different applications and actual performance may vary over time. All operating parameters, including "Typicals" must be validated for each customer application by customer's technical experts. SCILLC does not convey any license under its patent rights nor the rights of others. SCILLC products are not designed, intended, or authorized for use as components in systems intended for surgical implant into the body, or other applications intended to support or sustain life, or for any other application in which the failure of the SCILLC product could create a situation where personal injury or death may occur. Should Buyer purchase or use SCILLC products for any such unintended or unauthorized application, Buyer shall indemnify and hold SCILLC and its officers, employees, subsidiaries, affiliates, and distributors harmless against all claims, costs, damages, and expenses, and reasonable attorney fees arising out of, directly or indirectly, any claim of personal injury or death associated with such unintended or unauthorized use, even if such claim alleges that SCILLC was negligent regarding the design or manufacture of the part. SCILLC is an Equal Opportunity/Affirmative Action Employer. This literature is subject to all applicable copyright laws and is not for resale in any manner.

X-ON Electronics

Largest Supplier of Electrical and Electronic Components

Click to view similar products for [Motor/Motion/Ignition Controllers & Drivers](#) category:

Click to view products by [ON Semiconductor](#) manufacturer:

Other Similar products are found below :

[FSB50550TB2](#) [FSBF15CH60BTH](#) [MSVCPM2-63-12](#) [MSVGW45-14-2](#) [MSVGW54-14-3](#) [MSVGW54-14-5](#) [NTE7043](#) [LA6565VR-TLM-E](#)
[LB11650-E](#) [LB1837M-TLM-E](#) [LB1845DAZ-XE](#) [LC898300XA-MH](#) [SS30-TE-L-E](#) [26700](#) [LV8281VR-TLM-H](#) [BA5839FP-E2](#) [IRAM236-1067A](#) [LA6584JA-AH](#) [LB11847L-E](#) [NCV70501DW002R2G](#) [AH293-PL-B](#) [STK672-630CN-E](#) [TND315S-TL-2H](#) [FNA23060](#) [FSB50250AB](#)
[FNA41060](#) [MSVB54](#) [MSVBTC50E](#) [MSVCPM3-54-12](#) [MSVCPM3-63-12](#) [MSVCPM4-63-12](#) [MSVTA120](#) [FSB50550AB](#)
[NCV70501DW002G](#) [LC898301XA-MH](#) [LV8413GP-TE-L-E](#) [MSVGW45-14-3](#) [MSVGW45-14-4](#) [MSVGW45-14-5](#) [MSVGW54-14-4](#)
[STK984-091A-E](#) [MP6519GQ-Z](#) [LB11651-E](#) [IRSM515-025DA4](#) [LV8127T-TLM-H](#) [MC33812EKR2](#) [NCP81382MNTXG](#) [TDA21801](#)
[LB11851FA-BH](#) [NCV70627DQ001R2G](#)