

LB1863M, LB1869M

Two-Phase Brushless Motor Driver

Monolithic Digital IC

Overview

The LB1863M and LB1869M are 2-phase unipolar brushless motor drivers that are provided in a miniature flat package that contributes to end product miniaturization and supports automatic mounting. These products support the implementation of motor drive lock protection and automatic recovery circuits, and alarm specifications with a minimal number of external components.

Features

- Hall Elements can be Connected Directly to the IC itself
- 1.5-A Output Current Output Transistors Built in
- Rotation Detection Function that Provides a Low-level Output during Motor Drive and a High-level Output when the Motor is Stopped
- Motor Lock Protection and Automatic Recovery Functions Built in
- Thermal Shutdown Circuit
- Switching Noise can be Reduced with an External Ceramic Capacitor

Classification

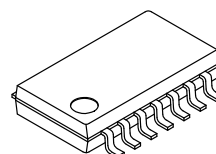
System Voltage	Package (MFP-14S)
12 V	LB1869M
24 V	LB1863M

NOTE: The LB1869M and LB1863M are pin compatible so that the same printed circuit board can be used for both 12 V and 24 V products.



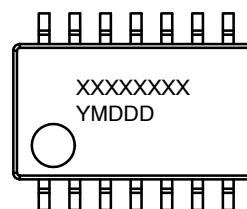
ON Semiconductor®

www.onsemi.com



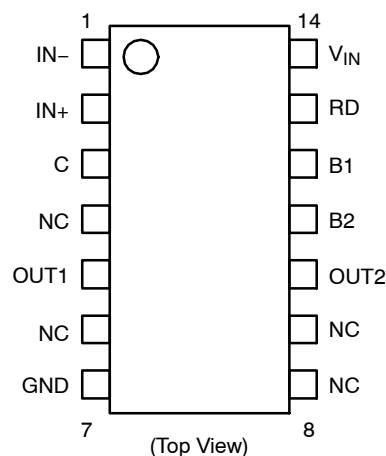
**SOIC14 W / MFP14S
CASE 751CB**

MARKING DIAGRAM



XXXX = Specific Device Code
Y = Year
M = Month
DDD = Additional Traceability Data

PIN ASSIGNMENT



ORDERING INFORMATION

See detailed ordering and shipping information on page 6 of this data sheet.

LB1863M, LB1869M

SPECIFICATIONS

ABSOLUTE MAXIMUM RATINGS ($T_A = 25^\circ\text{C}$)

Symbol	Parameter	Conditions	Ratings	Unit
$I_{CC\ max}$	Maximum input current	$t \leq 20\ ms$	200	mA
V_{OUT}	Output voltage	LB1863M LB1869M	-0.3 to +85 -0.3 to +60	V
I_{OUT}	Output current		1.5	A
I_{RD}	RD influx current		10	mA
V_{RD}	RD voltage		30	V
$P_d\ max$	Allowable power dissipation	When mounted (on a $20 \times 15 \times 1.5\text{-mm}^3$ glass-epoxy printed circuit board)	800	mW
T_{opr}	Operating temperature		-30 to +80	$^\circ\text{C}$
T_{stg}	Storage temperature		-55 to +150	$^\circ\text{C}$

Stresses exceeding those listed in the Maximum Ratings table may damage the device. If any of these limits are exceeded, device functionality should not be assumed, damage may occur and reliability may be affected.

ALLOWABLE OPERATING RANGES ($T_A = 25^\circ\text{C}$)

Symbol	Parameter	Conditions	Ratings	Unit
I_{CC}	Input Current Range		6.0 to 50	mA
V_{ICM}	Common-mode Input Voltage Range		0 to $V_{IN} - 1.5$	V

Functional operation above the stresses listed in the Recommended Operating Ranges is not implied. Extended exposure to stresses beyond the Recommended Operating Ranges limits may affect device reliability.

ELECTRICAL CHARACTERISTICS ($T_A = 25^\circ\text{C}$, $I_{CC} = 10\ mA$)

Symbol	Parameter	Conditions	Min	Typ	Max	Unit
V_{OR}	Output Voltage 1	LB1863M	80	-	-	V
		LB1869M	60	-	-	V
$V_{O(SUS)}$	Output Voltage 2	LB1863M: $I_O = 0.1\ A$	65	-	-	V
		LB1869M: $I_O = 0.1\ A$	40	-	-	V
$V_{O(sat)1}$	Output Saturation Voltage	$I_O = 0.5\ A$	-	0.95	1.2	V
$V_{O(sat)2}$		$I_O = 1.0\ A$	-	1.15	1.5	V
V_{IN}	Input Voltage	$I_{CC} = 7.0\ mA$	6.4	6.7	7.0	V
V_{OFF}	Amplifier Input Offset Voltage		-7	0	+7	mV
I_{BA}	Amplifier Input Bias Current		-250	-	-	nA
$V_{RD(sat)}$	RD Output Saturation Voltage	$I_{RD} = 5\ mA$	-	0.1	0.3	V
I_{C1}	Capacitor Discharge Current		2.1	3	3.9	μA
I_{C2}			0.31	0.44	0.59	μA
V_{TH1}	Comparator Input Threshold Voltage		0.77	$0.8\ V_{IN}$	0.83	V
V_{TH2}			0.42	$0.45\ V_{IN}$	0.48	V

Product parametric performance is indicated in the Electrical Characteristics for the listed test conditions, unless otherwise noted. Product performance may not be indicated by the Electrical Characteristics if operated under different conditions.

LB1863M, LB1869M

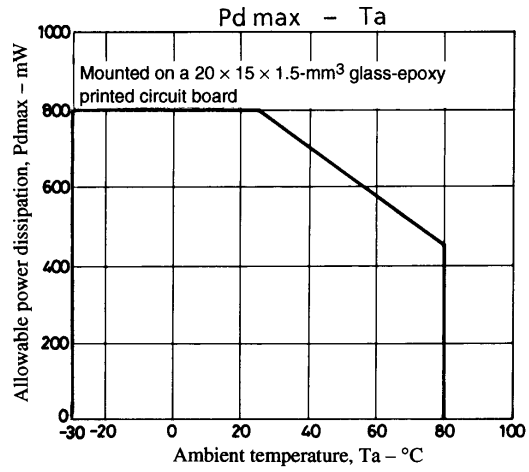
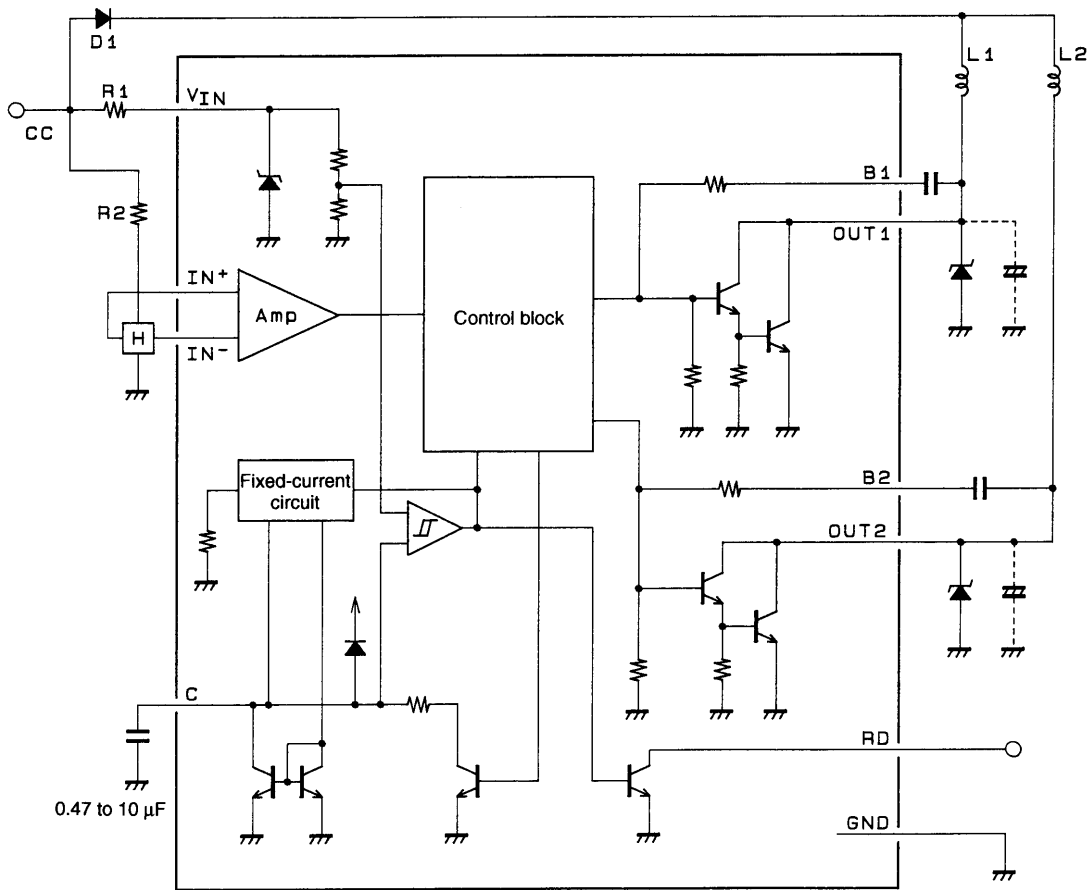


Figure 1. Pd max - TA

BLOCK DIAGRAM



A02886

Figure 2. Block Diagram

LB1863M, LB1869M

APPLICATION CIRCUIT

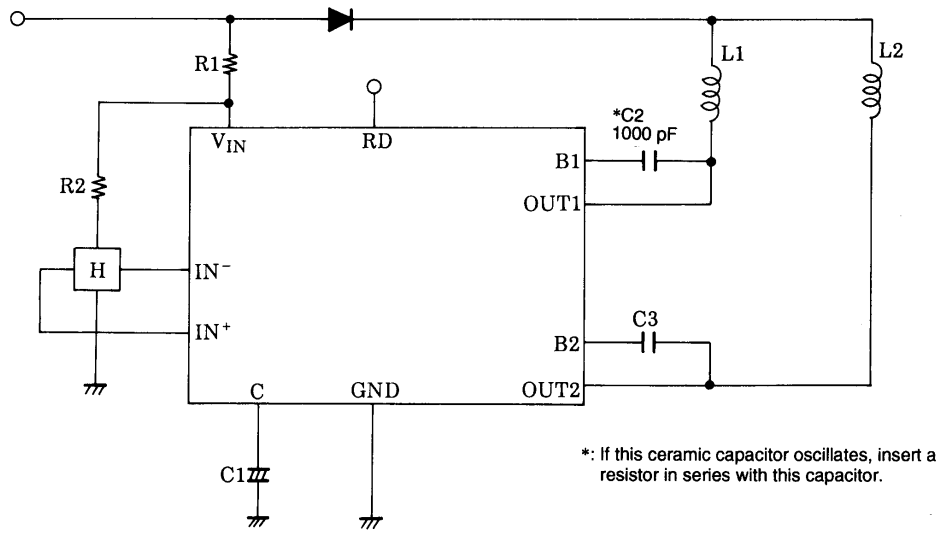


Figure 3. Sample Application Circuit

SAMPLE APPLICATION CIRCUIT OUTPUT WAVEFORMS

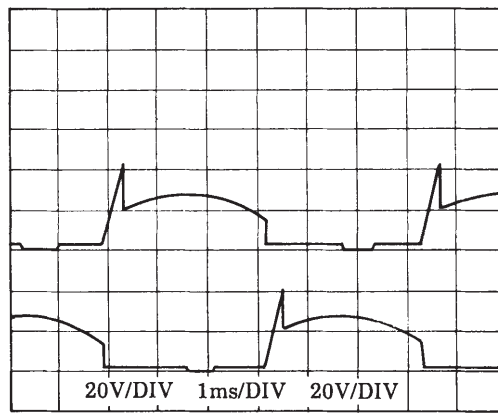


Figure 4. Output Waveforms

TRUTH TABLE

IN+	IN-	C	OUT1	OUT2	RD
H	L	L	H	L	L
L	H		L	H	
H	L	H	H	H	H
L	H		L	L	

DESIGN DOCUMENTATION

(See the Application Circuit Diagram)

1. Power-supply Voltage (V_{IN} Pin)

Since these miniature flat package products supply power to the Hall amplifier block and the control block from an internal parallel regulator, they operate with good stability with respect to kickback currents from the motor and variations in the power-supply voltage. They also provide an adequate ability to withstand surges. The resistor R1 between the V_{CC} and V_{IN} pins should be set up so that a current in the range $I_{CC} = 6$ to 50 mA flows into the V_{IN} pin in the fan motor power-supply voltage range.

V_{IN} has a typical value of 6.7 V when I_{CC} is 7 mA. The current flowing into V_{IN} can be calculated with the following formula.

$$I_{CC} = \frac{V_{CC} - V_{IN}}{R1} \quad (\text{eq. 1})$$

• Abnormal voltage considerations

The maximum allowable current for the V_{IN} pin is 200 mA. Therefore, the IC design allows it to withstand voltages up to the plus side abnormal voltage V_{surge} give by formula (2).

$$V_{surge} = V_{IN} + R1 \times 20 \text{ mA} \quad (\text{eq. 2})$$

2. Hall Input Pin Voltages (IN- and IN+ Pins)

The Hall element output voltages to the Hall element input pins must be in the range 0 to ($V_{IN} - 1.5$ V). The gain from the Hall input pins to the output pin is over 100 dB. The Hall input amplifier offset voltage is ± 7 mV. This means that the Hall element output must be set up taking this ± 7 mV offset into account.

3. Output Transistors (OUT1 and OUT2 Pins)

Output current: $I_O = 1.5$ A maximum

Output saturation voltage: $V_{Osat} = 1.15$ V/1.0 A (typical)

Applications should adopt one of the following three output protection techniques.

- ① If a capacitor is inserted between OUT and ground, use a capacitor with a value up to $C = 10 \mu\text{F}$, and design that value so that the kickback and reverse voltages do not exceed V_{OR} .
- ② If a Zener diode is added, determine a value for the Zener voltage that is lower than $V_{O(SUS)}$. If radio-frequency noise is a problem, insert a capacitor between B1 and B2.
- ③ If a capacitor is inserted between OUT and B1, set the capacitor value so that the kickback voltage is lower than $V_{O(SUS)}$. If oscillation occurs, insert a resistor in series with the capacitor.

4. Output Protection Function (C Pin)

This pin connects the capacitor that forms the automatic recovery circuit. If rotation stops due to, for example, a motor overload, the pin voltage rises and the output stops. The system automatically recovers from stopped to drive mode when the load is set to an appropriate level. The lock detection time can be set by changing the value of the capacitor.

For a 1- μF capacitor:

Lock detection time		About 2 seconds
Lock protection time (output on)		About 1 second
Lock protection time (output off)		About 6 seconds

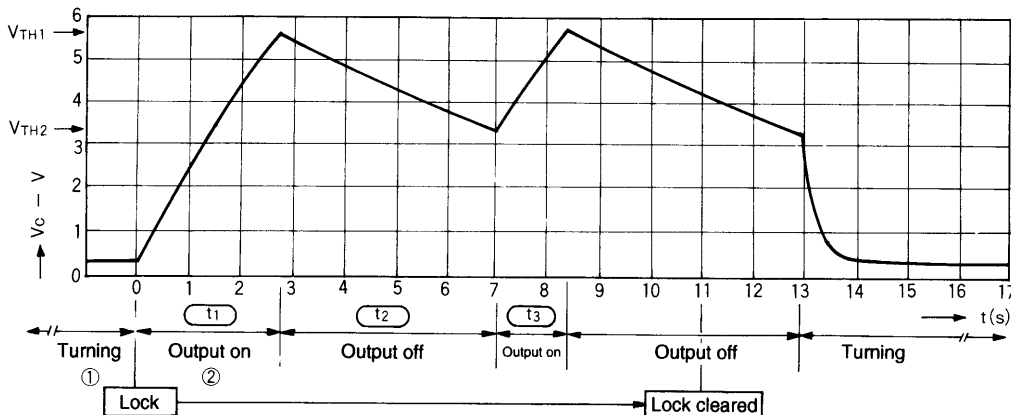


Figure 5. Automatic Recovery Circuit Pin C Voltage

LB1863M, LB1869M

- ① While the blades are turning, the capacitor is charged with a current of about 3 μA (typical), and C is discharged by pulses that correspond to the motor speed.
 - ② When the blades lock, the capacitor is no longer discharged, and the voltage across the capacitor increases. The output is turned off when that voltage reaches $0.8 \times V_{\text{IN}}$.
 - ③ When the output is turned off, the capacitor is discharged at a current of about 0.44 μA (typical). When the capacitor voltage falls under V_{TH2} , if the lock state is not yet cleared the capacitor continues discharging until V_{TH1} . (Note that the output is turned on at this time.) These operations, i.e. items ② and ③, are repeated with a ton:toff ratio of about 1:6 to protect the motor.
 - ④ If the lock state has been cleared when the capacitor voltage reaches V_{TH2} , motor rotation is started by turning the output on.
5. Rotation Detection Signal (RD Pin)
This is an open collector output, and outputs a low level in drive mode and a high level when the motor is stopped.
6. Radio-frequency Noise Reduction Function (B1 and B2 Pins)
These are base pins for Darlington pair outputs. Add capacitors of about 0.01 to 0.1 μF if radio-frequency noise is a problem.
7. Thermal Shutdown Function
Turns off the output in response to coil shorting or IC overheating.

ORDERING INFORMATION

Device	Package	Wire Bond	Shipping [†] (Qty / Packing)
LB1863M-MPB-E	SOIC14 W / MFP14S (225 mil) (Pb-Free)	Au wire	60 / Fan-Fold
LB1863M-MPB-H	SOIC14 W / MFP14S (225 mil) (Pb-Free / Halogen Free)	Au wire	60 / Fan-Fold
LB1863M-TLM-E	SOIC14 W / MFP14S (225 mil) (Pb-Free)	Au wire	1,000 / Tape & Reel
LB1863M-TLM-H	SOIC14 W / MFP14S (225 mil) (Pb-Free / Halogen Free)	Au wire	1,000 / Tape & Reel
LB1863M-W-AH	SOIC14 W / MFP14S (225 mil) (Pb-Free / Halogen Free)	Cu wire	1,000 / Tape & Reel
LB1869M * Discontinued	SOIC14 W / MFP14S (225 mil) (Pb-Free)	Au wire	- / -

[†]For information on tape and reel specifications, including part orientation and tape sizes, please refer to our Tape and Reel Packaging Specifications Brochure, [BRD8011/D](#).

MECHANICAL CASE OUTLINE

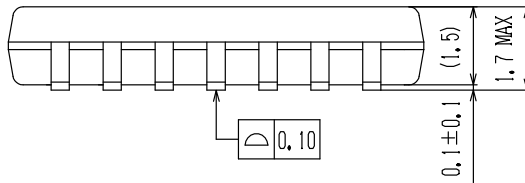
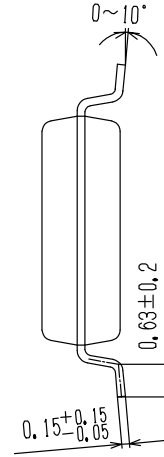
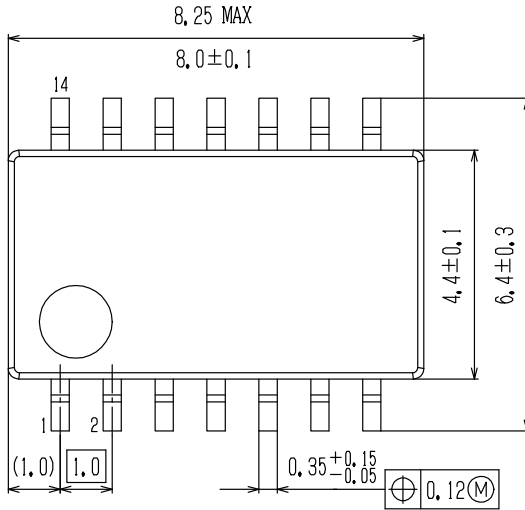
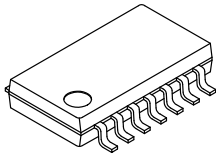
PACKAGE DIMENSIONS

ON Semiconductor®

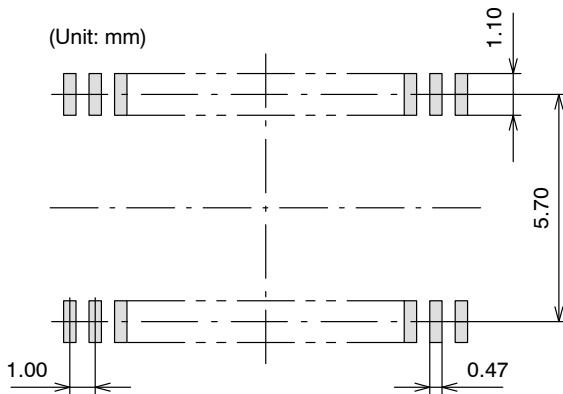


SOIC14 W / MFP14S (225 mil)
CASE 751CB
ISSUE A

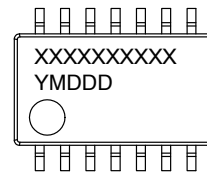
DATE 25 OCT 2013



SOLDERING FOOTPRINT*



GENERIC MARKING DIAGRAM*



XXXXX = Specific Device Code
Y = Year
M = Month
DDD = Additional Traceability Data

NOTE: The measurements are not to guarantee but for reference only.

*For additional information on our Pb-Free strategy and soldering details, please download the ON Semiconductor Soldering and Mounting Techniques Reference Manual, SOLDERRM/D.

*This information is generic. Please refer to device data sheet for actual part marking. Pb-Free indicator, "G" or microdot "▪", may or may not be present.

DOCUMENT NUMBER:	98AON67224E	Electronic versions are uncontrolled except when accessed directly from the Document Repository. Printed versions are uncontrolled except when stamped "CONTROLLED COPY" in red.
DESCRIPTION:	SOIC14 W / MFP14S (225 MIL)	PAGE 1 OF 1

ON Semiconductor and are trademarks of Semiconductor Components Industries, LLC dba ON Semiconductor or its subsidiaries in the United States and/or other countries. ON Semiconductor reserves the right to make changes without further notice to any products herein. ON Semiconductor makes no warranty, representation or guarantee regarding the suitability of its products for any particular purpose, nor does ON Semiconductor assume any liability arising out of the application or use of any product or circuit, and specifically disclaims any and all liability, including without limitation special, consequential or incidental damages. ON Semiconductor does not convey any license under its patent rights nor the rights of others.

onsemi, **Onsemi**, and other names, marks, and brands are registered and/or common law trademarks of Semiconductor Components Industries, LLC dba "**onsemi**" or its affiliates and/or subsidiaries in the United States and/or other countries. **onsemi** owns the rights to a number of patents, trademarks, copyrights, trade secrets, and other intellectual property. A listing of **onsemi**'s product/patent coverage may be accessed at www.onsemi.com/site/pdf/Patent-Marking.pdf. **onsemi** reserves the right to make changes at any time to any products or information herein, without notice. The information herein is provided "as-is" and **onsemi** makes no warranty, representation or guarantee regarding the accuracy of the information, product features, availability, functionality, or suitability of its products for any particular purpose, nor does **onsemi** assume any liability arising out of the application or use of any product or circuit, and specifically disclaims any and all liability, including without limitation special, consequential or incidental damages. Buyer is responsible for its products and applications using **onsemi** products, including compliance with all laws, regulations and safety requirements or standards, regardless of any support or applications information provided by **onsemi**. "Typical" parameters which may be provided in **onsemi** data sheets and/or specifications can and do vary in different applications and actual performance may vary over time. All operating parameters, including "Typicals" must be validated for each customer application by customer's technical experts. **onsemi** does not convey any license under any of its intellectual property rights nor the rights of others. **onsemi** products are not designed, intended, or authorized for use as a critical component in life support systems or any FDA Class 3 medical devices or medical devices with a same or similar classification in a foreign jurisdiction or any devices intended for implantation in the human body. Should Buyer purchase or use **onsemi** products for any such unintended or unauthorized application, Buyer shall indemnify and hold **onsemi** and its officers, employees, subsidiaries, affiliates, and distributors harmless against all claims, costs, damages, and expenses, and reasonable attorney fees arising out of, directly or indirectly, any claim of personal injury or death associated with such unintended or unauthorized use, even if such claim alleges that **onsemi** was negligent regarding the design or manufacture of the part. **onsemi** is an Equal Opportunity/Affirmative Action Employer. This literature is subject to all applicable copyright laws and is not for resale in any manner.

PUBLICATION ORDERING INFORMATION

LITERATURE FULFILLMENT:

Email Requests to: orderlit@onsemi.com

onsemi Website: www.onsemi.com

TECHNICAL SUPPORT

North American Technical Support:

Voice Mail: 1 800-282-9855 Toll Free USA/Canada

Phone: 011 421 33 790 2910

Europe, Middle East and Africa Technical Support:

Phone: 00421 33 790 2910

For additional information, please contact your local Sales Representative

X-ON Electronics

Largest Supplier of Electrical and Electronic Components

Click to view similar products for [Motor/Motion/Ignition Controllers & Drivers](#) category:

Click to view products by [ON Semiconductor](#) manufacturer:

Other Similar products are found below :

[FSB50550TB2](#) [FSBF15CH60BTH](#) [MSVCPM2-63-12](#) [MSVGW45-14-2](#) [MSVGW54-14-3](#) [MSVGW54-14-5](#) [NTE7043](#) [LA6565VR-TLM-E](#)
[LB11650-E](#) [LB1837M-TLM-E](#) [LB1845DAZ-XE](#) [LC898300XA-MH](#) [SS30-TE-L-E](#) [26700](#) [LV8281VR-TLM-H](#) [BA5839FP-E2](#) [IRAM236-1067A](#) [LA6584JA-AH](#) [LB11847L-E](#) [NCV70501DW002R2G](#) [AH293-PL-B](#) [STK672-630CN-E](#) [TND315S-TL-2H](#) [FNA23060](#) [FSB50250AB](#)
[FNA41060](#) [MSVB54](#) [MSVBTC50E](#) [MSVCPM3-54-12](#) [MSVCPM3-63-12](#) [MSVCPM4-63-12](#) [MSVTA120](#) [FSB50550AB](#)
[NCV70501DW002G](#) [LC898301XA-MH](#) [LV8413GP-TE-L-E](#) [MSVGW45-14-3](#) [MSVGW45-14-4](#) [MSVGW45-14-5](#) [MSVGW54-14-4](#)
[STK984-091A-E](#) [MP6519GQ-Z](#) [LB11651-E](#) [IRSM515-025DA4](#) [LV8127T-TLM-H](#) [MC33812EKR2](#) [NCP81382MNTXG](#) [TDA21801](#)
[LB11851FA-BH](#) [NCV70627DQ001R2G](#)