

**ON Semiconductor**[®]<http://onsemi.com>

LV5686PVC

Bi-CMOS LSI

Multi-Power Supply IC for Car Audio Systems

Overview

LV5686PVC is a multiple voltage regulator for Car Audio System. This IC has 3 voltage regulators, 5V output for a microcontroller, 9.85V output for illuminations, 9V output for audio control and 6 high side switches.

About protection circuits, it has Over-current-protection, Over-voltage-protection and Thermal-shut-down. This IC is most suitable for Car Audio System.

Features

- 3 system regulators
 - V_{DD} (MCU) : V_{OUT} 5V, I_{OUT} max 300mA, reverse current prevention.
 - Illumination : V_{OUT} 9.85V, I_{OUT} max 300mA
 - Audio : V_{OUT} 9.0V, I_{OUT} max 500mA
- 6 high side switches
 - AMP : I_{OUT} max 300mA, voltage difference between input and output: 1.0V
 - ANT : I_{OUT} max 300mA, voltage difference between input and output: 1.0V
 - EXT1 : I_{OUT} max 500mA, voltage difference between input and output: 1.0V
 - EXT2 : I_{OUT} max 500mA, voltage difference between input and output: 1.0V
 - EXT3 : I_{OUT} max 350mA, voltage difference between input and output: 0.5V
 - EXT4 : I_{OUT} max 500mA, voltage difference between input and output: 1.0V
- Over Current Protection
- BATT. Detection: under voltage1 (<6.5V), under voltage2 (<9.5V) and over voltage (>18V)
- Over Voltage Protection Typ 25V (shutdown except V_{DD})
- Thermal Shut Down Circuit Typ 175°C
- Applied P-LDMOS to Output stage

(Warning) The protector functions only improve the IC's tolerance and they do not guarantee the safety of the IC if used under the conditions out of safety range or ratings. Use of the IC such as use under overcurrent protection range, thermal shutdown state or V6IN OVS condition may degrade the IC's reliability and eventually damage the IC.

LV5686PVC

Specifications

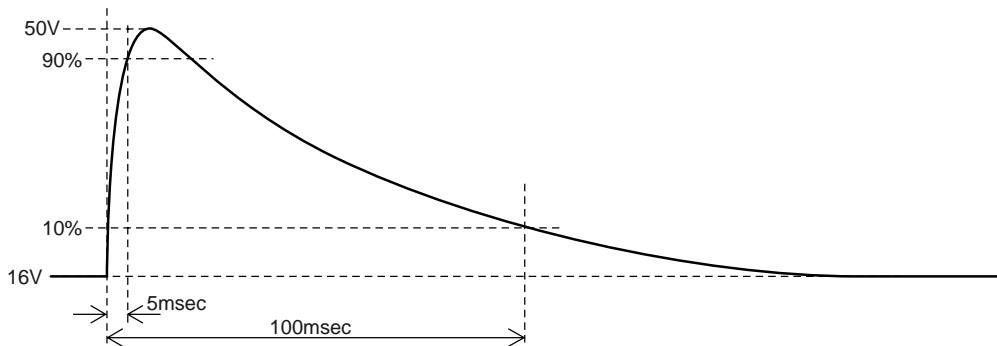
Absolute Maximum Ratings at $T_a = 25^\circ\text{C}$

Parameter	Conditions	Conditions	Ratings	Unit	
Maximum supply voltage	V_{CC} max		36	V	
Allowable power dissipation	P_d max	Independent IC	$T_a \leq 25^\circ\text{C}$	1.3	W
		Al heat sink *		5.3	W
		With an infinity heat sink		26.0	W
Peak supply voltage	V_{CC} peak	See below for the waveform applied.	50	V	
Operating ambient temperature	T_{opr}		-40 to +85	$^\circ\text{C}$	
Storage temperature	T_{stg}		-55 to +150	$^\circ\text{C}$	
Junction temperature	T_j max		150	$^\circ\text{C}$	

* : When the Aluminum heat sink (50mm × 50mm × 1.5mm) is used

Stresses exceeding Maximum Ratings may damage the device. Maximum Ratings are stress ratings only. Functional operation above the Recommended Operating Conditions is not implied. Extended exposure to stresses above the Recommended Operating Conditions may affect device reliability.

Waveform of surge test



Recommended Operating Range at $T_a = 25^\circ\text{C}$

Parameter	Conditions	Ratings	Unit
Operating supply voltage 1	$V_{DD}(5V)$	6.5 to 16	V
Operating supply voltage 2	AUDIO(9V)	11.5 to 16	V
Operating supply voltage 3	ILM(9.85V)	12.5 to 16	V
Operating supply voltage 4	AMP, ANT, EXT1, EXT2, EXT3, EXT4	7.5 to 16	V

LV5686PVC

Electrical Characteristics (1) at Ta = 25°C, VCC = 14.4V (*1)

Parameter	Symbol	Conditions	Ratings			Unit
			min	typ	max	
Quiescent current	I _{CC}	V _{DD} No Load, EN/CTRL1/2 = [L/L/L]		60	100	μA
EN (AUDIO, ILM, AMP, EXT1 control)						
[L] input voltage	V _{IL1}	All: OFF	0		0.3	V
[M] input voltage	V _{IM1}	AUDIO, ILM, EXT1: ON	1.1	1.65	2.1	V
[H] input voltage	V _{IM1}	All: ON	2.7	3.3	5.5	V
Input impedance	R _{IN1}	Input voltage ≤ 3.3V	280	400	520	kΩ
CTRL1 (EXT2, EXT4 control)						
[L] input voltage	V _{IL2}	All: OFF	0		0.3	V
[M] input voltage	V _{IM2}	EXT2: ON	1.1	1.65	2.1	V
[H] input voltage	V _{IM2}	All: ON	2.7	3.3	5.5	V
Input impedance	R _{IN2}	Input voltage ≤ 3.3V	280	400	520	kΩ
CTRL2 (ANT, EXT3 control)						
[L] input voltage	V _{IL3}	All: OFF	0		0.3	V
[M] input voltage	V _{IM3}	ANT: ON	1.1	1.65	2.1	V
[H] input voltage	V _{IM3}	All: ON	2.7	3.3	5.5	V
Input impedance	R _{IN3}	Input voltage ≤ 3.3V	280	400	520	kΩ
V_{DD} output 5V (reverse current prevention diode implemented)						
V _{DD} output voltage	V _{O1}	I _{O1} = 200mA	4.75	5.0	5.25	V
V _{DD} output current	I _{O1}	V _{O1} > 4.7V	300			mA
Line regulation	ΔV _{OLN1}	7.5V < V _{CC} < 16V, I _{O1} = 200mA		30	60	mV
Load regulation	ΔV _{OLD1}	1mA < I _{O1} < 200mA		70	140	mV
Dropout voltage	V _{DROP1}	I _{O1} = 150mA		1.25	1.5	V
Ripple rejection	R _{REJ1}	f = 120Hz, I _{O1} = 200mA	40	50		dB
V _{DD} reverse current	I _{rev}	V _{O1} = 5V, V _{CC} = 0V		10	100	μA
ILM output 9.85V-ON ; EN = [M], [H]						
ILM output voltage	V _{O2}	I _{O2} = 200mA	9.36	9.85	10.34	V
ILM output current	I _{O2}	V _{O2} > 9.2V	300			mA
Line regulation	ΔV _{OLN2}	12.5V < V _{CC} < 16V, I _{O2} = 200mA		30	60	mV
Load regulation	ΔV _{OLD2}	1mA < I _{O2} < 200mA		70	140	mV
Dropout voltage	V _{DROP2}	I _{O2} = 200mA		1.0	1.5	V
Ripple rejection	R _{REJ2}	f = 120Hz, I _{O2} = 200mA	40	50		dB

(*1) All the specification is defined based on the tests performed under the conditions where T_j and Ta(=25°C) are almost equal. These tests were performed with pulse load to minimize the increase of junction temperature (T_j).

LV5686PVC

Electrical Characteristics (2) at $T_a = 25^\circ\text{C}$, $V_{CC} = 14.4\text{V}$

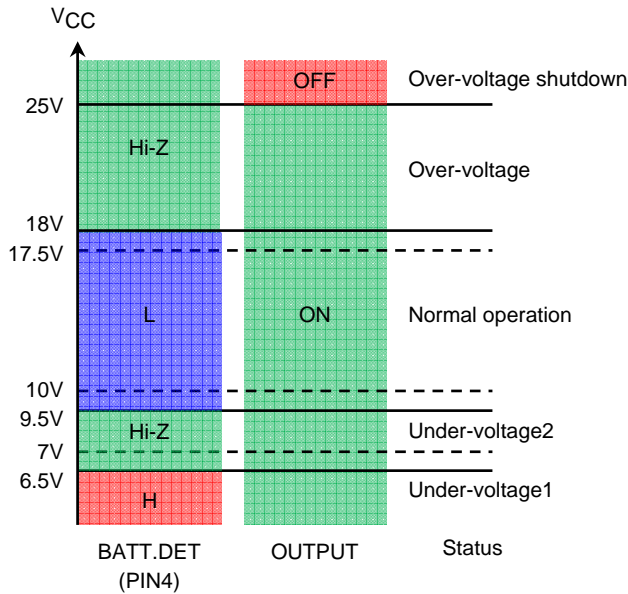
Parameter	Symbol	Conditions	Ratings			Unit
			min	typ	max	
AUDIO output 9.0V -ON ; EN = [M], [H]						
AUDIO output voltage	V_{O3}	$I_{O3} = 400\text{mA}$	8.55	9.0	9.45	V
AUDIO output current	I_{O3}	$V_{O3} > 8.5\text{V}$	500			mA
Line regulation	ΔV_{OLN3}	$11.5\text{V} < V_{CC} < 16\text{V}$, $I_{O3} = 400\text{mA}$		40	80	mV
Load regulation	ΔV_{OLD3}	$1\text{mA} < I_{O3} < 400\text{mA}$		70	140	mV
Dropout voltage	V_{DROP3}	$I_{O3} = 200\text{mA}$		0.6	1.0	V
Ripple rejection	R_{REJ3}	$f = 120\text{Hz}$, $I_{O3} = 200\text{mA}$	45	60		dB
AMP Remote-ON ; EN = [H]						
Output voltage	V_{O4}	$I_{O4} = 300\text{mA}$	$V_{CC}-1.8$	$V_{CC}-1.0$		V
Output current	I_{O4}	$V_{O4} \geq V_{CC}-1.8$	300			mA
ANT Remote-ON ; CTRL2 = [M], [H]						
Output voltage	V_{O5}	$I_{O5} = 300\text{mA}$	$V_{CC}-1.8$	$V_{CC}-1.0$		V
Output current	I_{O5}	$V_{O5} \geq V_{CC}-1.8$	300			mA
EXT1-ON ; EN = [M], [H]						
Output voltage	V_{O6}	$I_{O6} = 500\text{mA}$	$V_{CC}-1.8$	$V_{CC}-1.0$		V
Output current	I_{O6}	$V_{O6} \geq V_{CC}-1.8$	500			mA
EXT2-ON ; CTRL1 = [M], [H]						
Output voltage	V_{O7}	$I_{O7} = 500\text{mA}$	$V_{CC}-1.8$	$V_{CC}-1.0$		V
Output current	I_{O7}	$V_{O7} \geq V_{CC}-1.8$	500			mA
EXT3-ON ; CTRL2 = [H]						
Output voltage	V_{O8}	$I_{O8} = 350\text{mA}$	$V_{CC}-1.8$	$V_{CC}-1.0$		V
Output current	I_{O8}	$V_{O8} \geq V_{CC}-1.0$	350			mA
EXT4-ON ; CTRL1 = [H]						
Output voltage	V_{O9}	$I_{O9} = 500\text{mA}$	$V_{CC}-1.8$	$V_{CC}-1.0$		V
Output current	I_{O9}	$V_{O9} \geq V_{CC}-1.8$	500			mA

LV5686PVC

Electrical Characteristics (3) at $T_a = 25^\circ\text{C}$, $V_{CC} = 14.4\text{V}$

Parameter	Symbol	Conditions	Ratings			Unit
			min	typ	max	
BATT.DET output: V_{CC} voltage detection						
BATT.DET output voltage	V_{off}	$I_{OL} = 1\text{mA}$, undetected.		0.3	0.4	V
BATT.DET output voltage	V_{on}	$I_{OH} = -1\text{mA}$, Under-voltage1	$V_{DD}-0.4$	$V_{DD}-0.3$		V
Under-voltage detect threshold1	V_{thL1}	V_{CC} falling, BATT.DET: "Hi-Z" \rightarrow "Hi"	6.3	6.5	6.7	V
Under-voltage release threshold1	V_{thL1r}	V_{CC} rising	6.8	7.0	7.2	V
Under-voltage1 Hysteresis	V_{uv1hys}		0.4	0.5	0.6	V
Under-voltage detect threshold2	V_{thL2}	V_{CC} falling, BATT.DET: "Lo" \rightarrow "Hi-Z"	9.25	9.5	9.75	V
Under-voltage release threshold2	V_{thL2r}	V_{CC} rising	9.75	10	10.25	V
Under-voltage2 Hysteresis	V_{uv2hys}		0.4	0.5	0.6	V
Over-voltage detect threshold	V_{thH}	V_{CC} rising, BATT.DET: "Lo" \rightarrow "Hi-Z"	17	18	19	V
Over-voltage release threshold	V_{thHr}	V_{CC} falling	16.5	17.5	18.5	V
Over-voltage Hysteresis	V_{ovhys}		0.4	0.5	0.6	V
Overvoltage shutdown	V_{ovp}	no hysteresis	22.5	25	27.5	V

* V_{CC} voltage detection & over-voltage shutdown



LV5686PVC

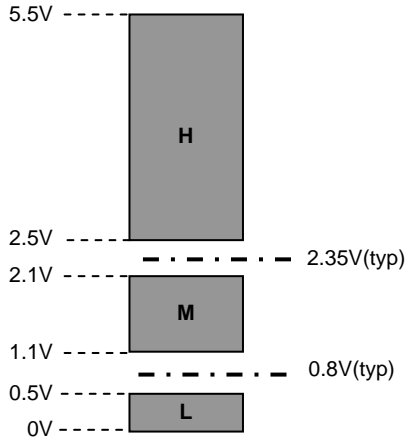
CTRL terminal truth table

EN	EXT1	AUDIO	ILM	AMP
L	OFF	OFF	OFF	OFF
M	ON	ON	ON	OFF
H	ON	ON	ON	ON

CTRL1	EXT2	EXT4
L	OFF	OFF
M	ON	OFF
H	ON	ON

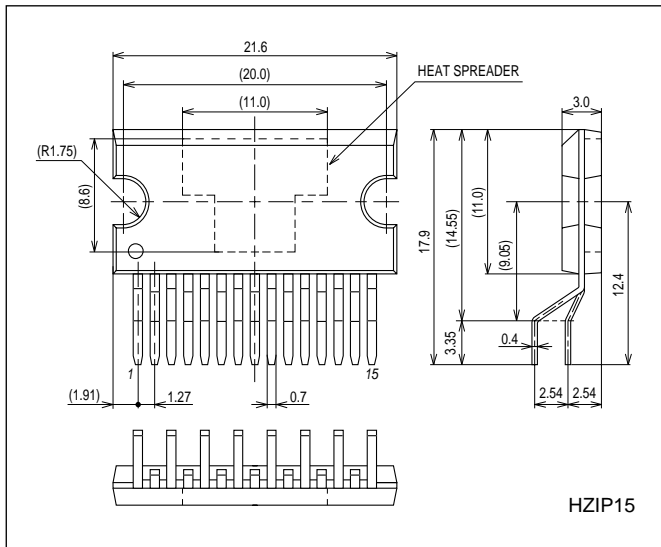
CTRL2	ANT	EXT3
L	OFF	OFF
M	ON	OFF
H	ON	ON

EN/CTRL1/CTRL2 voltage range and threshold

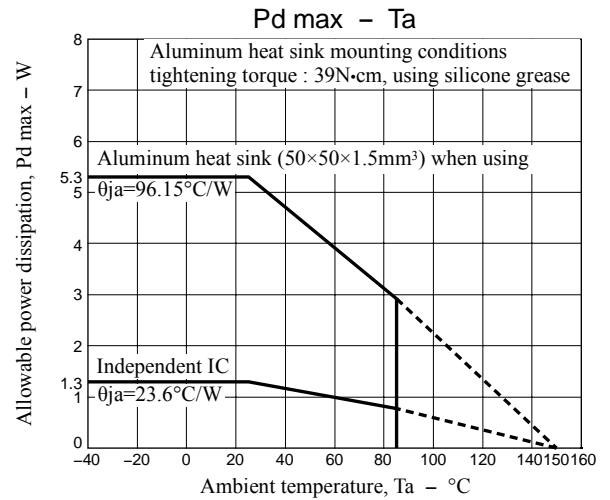


Package Dimensions

unit : mm (typ)
 3336

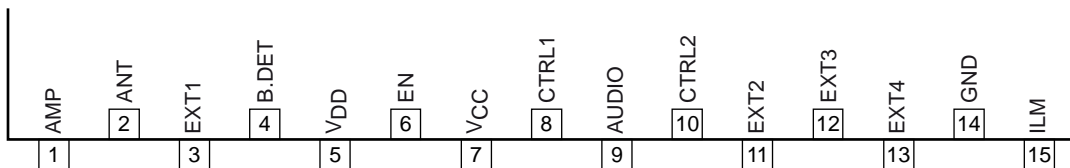


• Allowable power dissipation derating curve



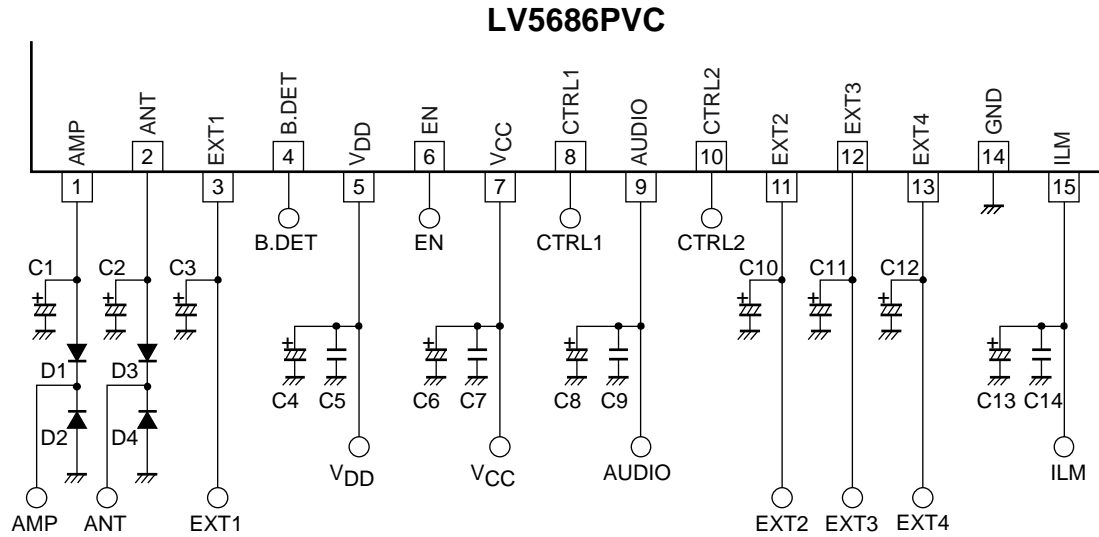
Pin assignment

LV5686PVC



LV5686PVC

Application Circuit Example



Peripheral parts

Part name	Description	Recommended value	Note
C1, C2, C3, C10, C11, C12	output stabilization capacitor for high-side switches	greater than 2.2 μ F	
C4, C8, C13	output stabilization capacitor	greater than 10 μ F (*1)	
C5, C9, C14	output stabilization capacitor	greater than 0.22 μ F (*1)	Ceramic capacitor
C6	Capacitor for bypass power supply	greater than 100 μ F	Make sure to implement close to V _{CC} and GND.
C7	Capacitor for oscillation protector	greater than 0.22 μ F	
D1, D2, D3, D4	Internal device protector diode	SB1003M3	(*2)

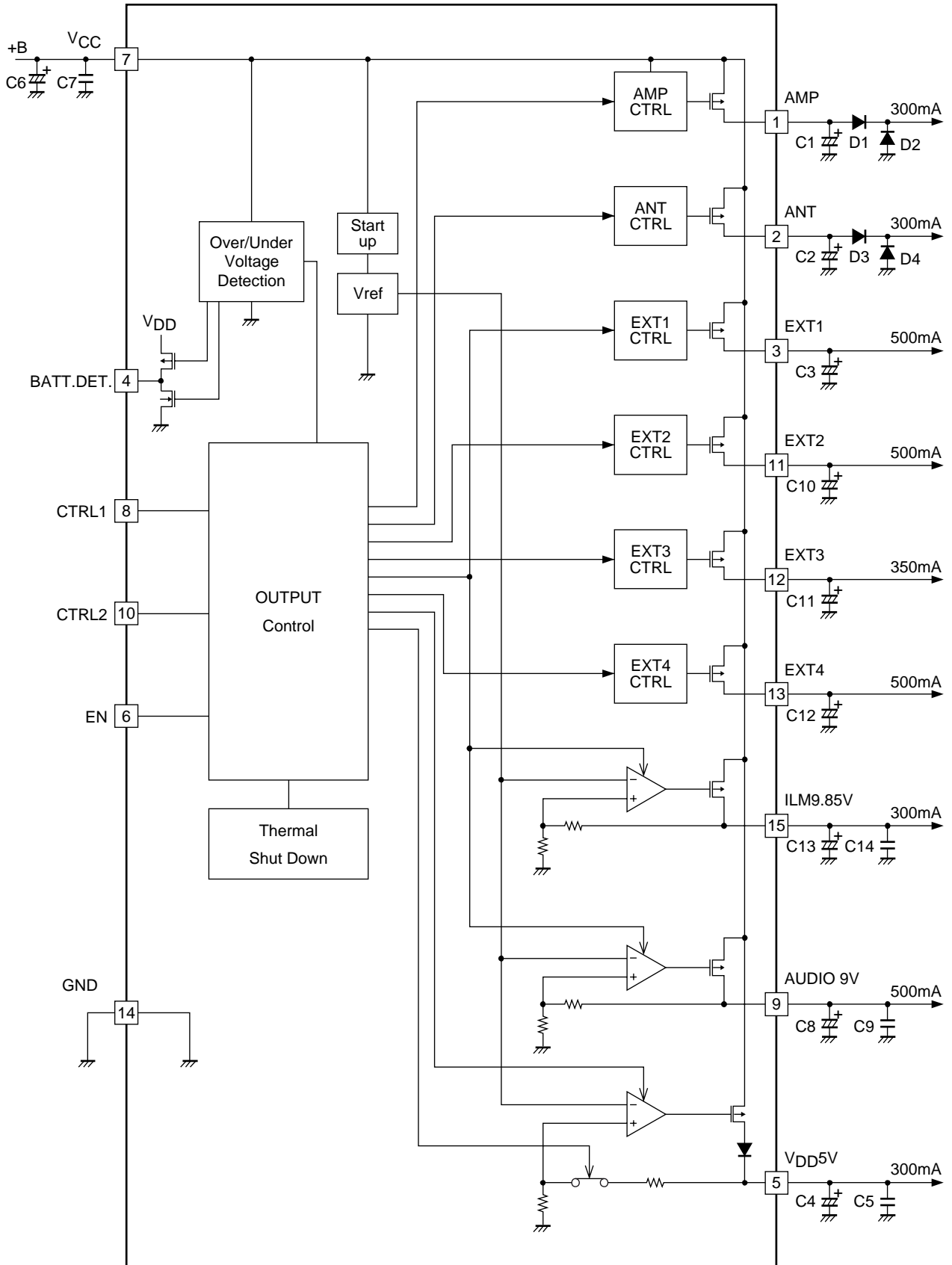
Note: Circuit diagram and the values are only tentative and subject to change.

(*1) Make sure that total capacitance of regulator output is greater than 10 μ F and meets the condition of ESR = 0.001 to 10 Ω , in which voltage/temperature dependence and unit differences are taken into consideration. Moreover, in case of electrolytic capacitor, high-frequency characteristics should be sufficiently good.

(*2) These parts are necessary if output voltage of high-side switches gets lower than GND or higher than V_{CC}. The same consideration is required on EXT1 through EXT4.

LV5686PVC

Block Diagram



LV5686PVC

Pin Function

Pin No.	Pin name	Description	Equivalent Circuit
1	AMP	AMP output When EN = H, AMP is ON $V_{CC}-1V/300mA$	
2	ANT	ANT output When CTRL2 = M or H, ANT is ON $V_{CC}-1V/300mA$	
3	EXT1	EXT1 output When EN = M or H, EXT1 is ON $V_{CC}-1V/500mA$	
4	BATT.DET	Battery voltage detector output L : $9.5V < V_{CC} < 18V$ HiZ : $6.5V < V_{CC} < 9.5V$ or $V_{CC} > 18V$ H (V_{DD}) : $V_{CC} < 6.5V$	

Continued on next page.

LV5686PVC

Continued from preceding page.

Pin No.	Pin name	Description	Equivalent Circuit
5	V _{DD}	V _{DD} output, 5.0V/0.3A	
6 8 10	EN CTRL1 CTRL2	Control input 3-value input	
7	V _{CC}	Power supply	
9	AUDIO	AUDIO output When EN = M or H, AUDIO is ON 9V/0.5A	
11	EXT2	EXT2 output When CTRL1 = M or H, EXT2 is ON V _{CC} -1V/500mA	

Continued on next page.

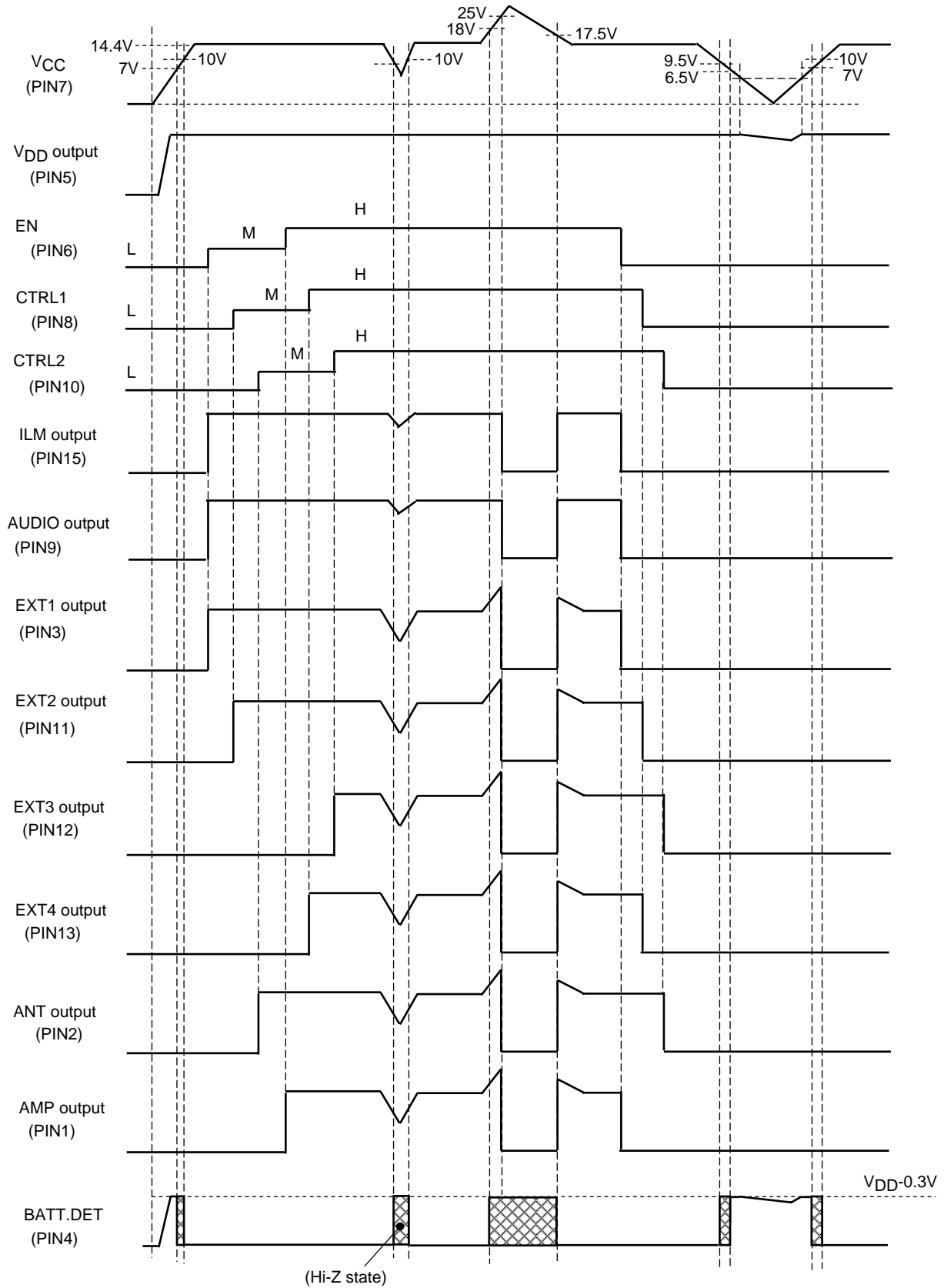
LV5686PVC

Continued from preceding page.

Pin No.	Pin name	Description	Equivalent Circuit
12	EXT3	EXT3 output When CTRL2 = H, EXT3 is ON $V_{CC}-0.5V/350mA$	
13	EXT4	EXT4 output When CTRL1 = H, EXT4 is ON $V_{CC}-1V/500mA$	
14	GND		
15	ILM	ILM output When EN = M or H, ILM is ON $9.85V/0.3A$	

LV5686PVC

Timing Chart



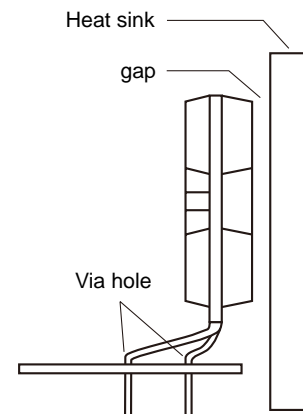
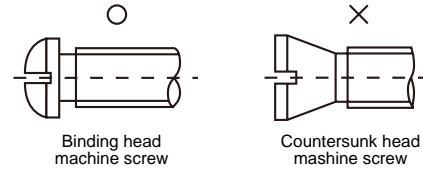
HZIP15 Heat sink attachment

Heat sinks are used to lower the semiconductor device junction temperature by leading the heat generated by the device to the outer environment and dissipating that heat.

- a. Unless otherwise specified, for power ICs with tabs and power ICs with attached heat sinks, solder must not be applied to the heat sink or tabs.

b. Heat sink attachment

- Use flat-head screws to attach heat sinks.
- Use also washer to protect the package.
- Use tightening torques in the ranges 39-59Ncm(4-6kgcm) .
- If tapping screws are used, do not use screws with a diameter larger than the holes in the semiconductor device itself.
- Do not make gap, dust, or other contaminants to get between the semiconductor device and the tab or heat sink.
- Take care a position of via hole .
- Do not allow dirt, dust, or other contaminants to get between the semiconductor device and the tab or heat sink.
- Verify that there are no press burrs or screw-hole burrs on the heat sink.
- Warping in heat sinks and printed circuit boards must be no more than 0.05 mm between screw holes, for either concave or convex warping.
- Twisting must be limited to under 0.05mm.
- Heat sink and semiconductor device are mounted in parallel.
Take care of electric or compressed air drivers
- The speed of these torque wrenches should never exceed 700 rpm, and should typically be about 400 rpm.



c. Silicone grease

- Spread the silicone grease evenly when mounting heat sinks.
- Our company recommends YG-6260 (Momentive Performance Materials Japan LLC)

d. Mount

- First mount the heat sink on the semiconductor device, and then mount that assembly on the printed circuit board.
- When attaching a heat sink after mounting a semiconductor device into the printed circuit board, when tightening up a heat sink with the screw, the mechanical stress which is impossible to the semiconductor device and the pin doesn't hang.

e. When mounting the semiconductor device to the heat sink using jigs, etc.,

- Take care not to allow the device to ride onto the jig or positioning dowel.
- Design the jig so that no unreasonable mechanical stress is applied to the semiconductor device.

f. Heat sink screw holes

- Be sure that chamfering and shear drop of heat sinks must not be larger than the diameter of screw head used.
- When using nuts, do not make the heat sink hole diameters larger than the diameter of the head of the screws used. A hole diameter about 15% larger than the diameter of the screw is desirable.
- When tap screws are used, be sure that the diameter of the holes in the heat sink are not too small. A diameter about 15% smaller than the diameter of the screw is desirable.

- g. There is a method to mount the semiconductor device to the heat sink by using a spring band. But this method is not recommended because of possible displacement due to fluctuation of the spring force with time or vibration.

ON Semiconductor and the ON logo are registered trademarks of Semiconductor Components Industries, LLC (SCILLC). SCILLC owns the rights to a number of patents, trademarks, copyrights, trade secrets, and other intellectual property. A listing of SCILLC's product/patent coverage may be accessed at www.onsemi.com/site/pdf/Patent-Marking.pdf. SCILLC reserves the right to make changes without further notice to any products herein. SCILLC makes no warranty, representation or guarantee regarding the suitability of its products for any particular purpose, nor does SCILLC assume any liability arising out of the application or use of any product or circuit, and specifically disclaims any and all liability, including without limitation special, consequential or incidental damages. "Typical" parameters which may be provided in SCILLC data sheets and/or specifications can and do vary in different applications and actual performance may vary over time. All operating parameters, including "Typicals" must be validated for each customer application by customer's technical experts. SCILLC does not convey any license under its patent rights nor the rights of others. SCILLC products are not designed, intended, or authorized for use as components in systems intended for surgical implant into the body, or other applications intended to support or sustain life, or for any other application in which the failure of the SCILLC product could create a situation where personal injury or death may occur. Should Buyer purchase or use SCILLC products for any such unintended or unauthorized application, Buyer shall indemnify and hold SCILLC and its officers, employees, subsidiaries, affiliates, and distributors harmless against all claims, costs, damages, and expenses, and reasonable attorney fees arising out of, directly or indirectly, any claim of personal injury or death associated with such unintended or unauthorized use, even if such claim alleges that SCILLC was negligent regarding the design or manufacture of the part. SCILLC is an Equal Opportunity/Affirmative Action Employer. This literature is subject to all applicable copyright laws and is not for resale in any manner.

X-ON Electronics

Largest Supplier of Electrical and Electronic Components

Click to view similar products for [Power Management Specialised - PMIC category:](#)

Click to view products by [ON Semiconductor manufacturer:](#)

Other Similar products are found below :

[LV5686PVC-XH](#) [FAN7710VN](#) [NCP391FCALT2G](#) [SLG7NT4081VTR](#) [SLG7NT4192VTR](#) [AP4313UKTR-G1](#) [AS3729B-BWLM](#)
[MB39C831QN-G-EFE2](#) [MAX4940MB](#) [LV56841PVD-XH](#) [MAX77686EWE+T](#) [AP4306BUKTR-G1](#) [MIC5164YMM](#) [PT8A3252WE](#)
[NCP392CSFCCT1G](#) [TEA1998TS/1H](#) [PT8A3284WE](#) [PI3VST01ZEEX](#) [PI5USB1458AZAEX](#) [PI5USB1468AZAEX](#) [MCP16502TAC-E/S8B](#)
[MCP16502TAE-E/S8B](#) [MCP16502TAA-E/S8B](#) [MCP16502TAB-E/S8B](#) [TCKE712BNL,RF](#) [ISL91211AIKZT7AR5874](#)
[ISL91211BIKZT7AR5878](#) [MAX17506EVKITBE#](#) [MCP16501TC-E/RMB](#) [ISL91212AIIZ-TR5770](#) [ISL91212BIIZ-TR5775](#) [CPX200D](#) [AX-](#)
[3005D-3](#) [TP-1303](#) [TP-1305](#) [TP-1603](#) [TP-2305](#) [TP-30102](#) [TP-4503N](#) [MIC5167YML-TR](#) [LPTM21-1AFTG237C](#) [MPS-3003L-3](#) [MPS-3005D](#)
[SPD-3606](#) [STLUX383A](#) [TP-60052](#) [ADN8834ACBZ-R7](#) [LM26480SQ-AA/NOPB](#) [LM81BIMTX-3/NOPB](#) [LM81CIMT-3/NOPB](#)