

# Single 2-Input OR Gate

## MC74VHC1G32, MC74VHC1GT32

The MC74VHC1G32 / MC74VHC1GT32 is a single 2-input OR Gate in tiny footprint packages. The MC74VHC1G32 has CMOS-level input thresholds while the MC74VHC1GT32 has TTL-level thresholds.

The input structures provide protection when voltages up to 5.5 V are applied, regardless of the supply voltage. This allows the device to be used to interface 5 V circuits to 3 V circuits. The output structures also provide protection when  $V_{CC} = 0$  V and when the output voltage exceeds  $V_{CC}$ . These input and output structures help prevent device destruction caused by supply voltage – input/output voltage mismatch, battery backup, hot insertion, etc.

### Features

- Designed for 2.0 V to 5.5 V  $V_{CC}$  Operation
- 3.7 ns  $t_{PD}$  at 5 V (typ)
- Inputs/Outputs Over-Voltage Tolerant up to 5.5 V
- $I_{OFF}$  Supports Partial Power Down Protection
- Source/Sink 8 mA at 3.0 V
- Available in SC-88A, SC-74A, TSOP-5, SOT-953 and UDFN6 Packages
- Chip Complexity < 100 FETs
- NLV Prefix for Automotive and Other Applications Requiring Unique Site and Control Change Requirements; AEC-Q100 Qualified and PPAP Capable
- These Devices are Pb-Free, Halogen Free/BFR Free and are RoHS Compliant

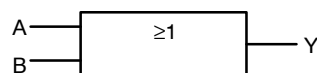


Figure 1. Logic Symbol

### MARKING DIAGRAMS

|  |                                    |  |
|--|------------------------------------|--|
|  | SC-88A<br>DF SUFFIX<br>CASE 419A   |  |
|  | SC-74A<br>DBV SUFFIX<br>CASE 318BQ |  |
|  | TSOP-5<br>DT SUFFIX<br>CASE 483    |  |
|  | SOT-953<br>P5 SUFFIX<br>CASE 527AE |  |
|  | UDFN6<br>1.45 x 1.0<br>CASE 517AQ  |  |
|  | UDFN6<br>1.2 x 1.0<br>CASE 517AA   |  |
|  | UDFN6<br>1.0 x 1.0<br>CASE 517BX   |  |

XX = Specific Device Code  
M = Date Code\*  
▪ = Pb-Free Package

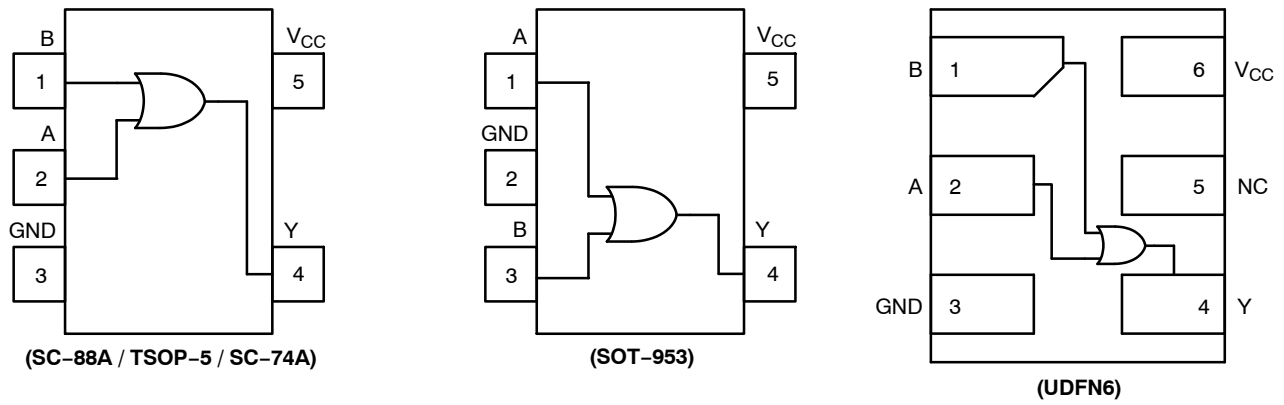
(Note: Microdot may be in either location)

\*Date Code orientation and/or position may vary depending upon manufacturing location.

### ORDERING INFORMATION

See detailed ordering, marking and shipping information in the package dimensions section on page 7 of this data sheet.

## MC74VHC1G32, MC74VHC1GT32



**Figure 2. Pinout (Top View)**

### PIN ASSIGNMENT

(SC-88A / TSOP-5 / SC-74A)

| Pin | Function        |
|-----|-----------------|
| 1   | B               |
| 2   | A               |
| 3   | GND             |
| 4   | Y               |
| 5   | V <sub>CC</sub> |

PIN ASSIGNMENT (SOT-953)

| Pin | Function        |
|-----|-----------------|
| 1   | A               |
| 2   | GND             |
| 3   | B               |
| 4   | Y               |
| 5   | V <sub>CC</sub> |

PIN ASSIGNMENT (UDFN)

| Pin | Function        |
|-----|-----------------|
| 1   | B               |
| 2   | A               |
| 3   | GND             |
| 4   | Y               |
| 5   | NC              |
| 6   | V <sub>CC</sub> |

### FUNCTION TABLE

| Input |   | Output |
|-------|---|--------|
| A     | B | Y      |
| L     | L | L      |
| L     | H | H      |
| H     | L | H      |
| H     | H | H      |

## MC74VHC1G32, MC74VHC1GT32

### MAXIMUM RATINGS

| Symbol                              | Characteristics  | Value   | Unit |
|-------------------------------------|--|---|------|
| V <sub>CC</sub>                     | DC Supply Voltage<br>TSOP-5, SC-88A (NLV)<br>SC-74A, SC-88A, UDFN6, SOT-953  | -0.5 to +7.0<br>-0.5 to +6.5                                  | V    |
| V <sub>IN</sub>                     | DC Input Voltage<br>TSOP-5, SC-88A (NLV)<br>SC-74A, SC-88A, UDFN6, SOT-953   | -0.5 to +7.0<br>-0.5 to +6.5                                  | V    |
| V <sub>OUT</sub>                    | DC Output Voltage<br>TSOP-5, SC-88A (NLV)<br>Active-Mode (High or Low State)<br>Tri-State Mode (Note 1)<br>Power-Down Mode (V <sub>CC</sub> = 0 V)           | -0.5 to V <sub>CC</sub> + 0.5<br>-0.5 to +7.0<br>-0.5 to +7.0 | V    |
|                                     | DC Output Voltage<br>SC-74A, SC-88A, UDFN6, SOT-953<br>Active-Mode (High or Low State)<br>Tri-State Mode (Note 1)<br>Power-Down Mode (V <sub>CC</sub> = 0 V) | -0.5 to V <sub>CC</sub> + 0.5<br>-0.5 to +6.5<br>-0.5 to +6.5 | V    |
| I <sub>IK</sub>                     | DC Input Diode Current<br>V <sub>IN</sub> < GND  | -20   | mA   |
| I <sub>OK</sub>                     | DC Output Diode Current<br>V <sub>OUT</sub> < GND  | -20   | mA   |
| I <sub>OUT</sub>                    | DC Output Source/Sink Current  | ±25   | mA   |
| I <sub>CC</sub> or I <sub>GND</sub> | DC Supply Current per Supply Pin or Ground Pin   | ±50   | mA   |
| T <sub>STG</sub>                    | Storage Temperature Range  | -65 to +150   | °C   |
| T <sub>L</sub>                      | Lead Temperature, 1 mm from Case for 10 s  | 260   | °C   |
| T <sub>J</sub>                      | Junction Temperature Under Bias  | +150  | °C   |
| θ <sub>JA</sub>                     | Thermal Resistance (Note 2)<br>SC-88A<br>SC-74A<br>SOT-953<br>UDFN6  | 377<br>320<br>254<br>154                                      | °C/W |
| P <sub>D</sub>                      | Power Dissipation in Still Air<br>SC-88A<br>SC-74A<br>SOT-953<br>UDFN6   | 332<br>390<br>491<br>812                                      | mW   |
| MSL                                 | Moisture Sensitivity   | Level 1   | -    |
| F <sub>R</sub>                      | Flammability Rating<br>Oxygen Index: 28 to 34  | UL 94 V-0 @ 0.125 in  | -    |
| V <sub>ESD</sub>                    | ESD Withstand Voltage (Note 3)<br>Human Body Model<br>Charged Device Model   | 2000<br>1000  | V    |
| I <sub>Latchup</sub>                | Latchup Performance (Note 4)   | ±100  | mA   |

Stresses exceeding those listed in the Maximum Ratings table may damage the device. If any of these limits are exceeded, device functionality should not be assumed, damage may occur and reliability may be affected.

1. Applicable to devices with outputs that may be tri-stated.
2. Measured with minimum pad spacing on an FR4 board, using 10mm-by-1inch, 2 ounce copper trace no air flow per JESD51-7.
3. HBM tested to ANSI/ESDA/JEDEC JS-001-2017. CDM tested to EIA/JESD22-C101-F. JEDEC recommends that ESD qualification to EIA/JESD22-A115-A (Machine Model) be discontinued per JEDEC/JEP172A.
4. Tested to EIA/JESD78 Class II.

# MC74VHC1G32, MC74VHC1GT32

## RECOMMENDED OPERATING CONDITIONS

| Symbol                          | Characteristics  | Min              | Max                 | Unit |
|---------------------------------|--|------------------|---------------------|------|
| V <sub>CC</sub>                 | Positive DC Supply Voltage   | 2.0              | 5.5                 | V    |
| V <sub>IN</sub>                 | DC Input Voltage   | 0                | 5.5                 | V    |
| V <sub>OUT</sub>                | DC Output Voltage TSOP-5, SC-88A (NLV)   | 0                | V <sub>CC</sub>     | V    |
|                                 | DC Output Voltage SC-74A, SC-88A, UDFN6, SOT-953<br>Active-Mode (High or Low State)<br>Tri-State Mode (Note 1)<br>Power-Down Mode (V <sub>CC</sub> = 0 V)                                      | 0                | V <sub>CC</sub>     |      |
|                                 |  | 0                | 5.5                 |      |
| T <sub>A</sub>                  | Operating Temperature Range  | -55              | +125                | °C   |
| t <sub>r</sub> , t <sub>f</sub> | Input Rise and Fall Time TSOP-5, SC-88A (NLV)<br>V <sub>CC</sub> = 3.0 V to 3.6 V<br>V <sub>CC</sub> = 4.5 V to 5.5 V  | 0<br>0           | 100<br>20           | ns/V |
|                                 | Input Rise and Fall Time SC-74A, SC-88A, UDFN6, SOT-953<br>V <sub>CC</sub> = 2.0 V<br>V <sub>CC</sub> = 2.3 V to 2.7 V<br>V <sub>CC</sub> = 3.0 V to 3.6 V<br>V <sub>CC</sub> = 4.5 V to 5.5 V | 0<br>0<br>0<br>0 | 20<br>20<br>10<br>5 |      |

Functional operation above the stresses listed in the Recommended Operating Ranges is not implied. Extended exposure to stresses beyond the Recommended Operating Ranges limits may affect device reliability.

## DC ELECTRICAL CHARACTERISTICS (MC74VHC1G32)

| Symbol           | Parameter                 | Test Conditions  | V <sub>CC</sub><br>(V) | T <sub>A</sub> = 25°C |     |      | -40°C ≤ T <sub>A</sub> ≤ 85°C |      | -55°C ≤ T <sub>A</sub> ≤ 125°C |      | Unit |
|------------------|---------------------------|--|------------------------|-----------------------|-----|------|-------------------------------|------|--------------------------------|------|------|
|                  |                           |  |                        | Min                   | Typ | Max  | Min                           | Max  | Min                            | Max  |      |
| V <sub>IH</sub>  | High-Level Input Voltage  |  | 2.0                    | 1.5                   |     |      | 1.5                           |      | 1.5                            |      | V    |
|                  |                           |  | 3.0                    | 2.1                   |     |      | 2.1                           |      | 2.1                            |      |      |
|                  |                           |  | 4.5                    | 3.15                  |     |      | 3.15                          |      | 3.15                           |      |      |
|                  |                           |  | 5.5                    | 3.85                  |     |      | 3.85                          |      | 3.85                           |      |      |
| V <sub>IL</sub>  | Low-Level Input Voltage   |  | 2.0                    |                       |     | 0.5  |                               | 0.5  |                                | 0.5  | V    |
|                  |                           |  | 3.0                    |                       |     | 0.9  |                               | 0.9  |                                | 0.9  |      |
|                  |                           |  | 4.5                    |                       |     | 1.35 |                               | 1.35 |                                | 1.35 |      |
|                  |                           |  | 5.5                    |                       |     | 1.65 |                               | 1.65 |                                | 1.65 |      |
| V <sub>OH</sub>  | High-Level Output Voltage | V <sub>IN</sub> = V <sub>IH</sub> or V <sub>IL</sub><br>I <sub>OH</sub> = -50 μA<br>I <sub>OH</sub> = -50 μA<br>I <sub>OH</sub> = -50 μA<br>I <sub>OH</sub> = -4 mA<br>I <sub>OH</sub> = -8 mA | 2.0                    | 1.9                   | 2.0 |      | 1.9                           |      | 1.9                            |      | V    |
|                  |                           |  | 3.0                    | 2.9                   | 3.0 |      | 2.9                           |      | 2.9                            |      |      |
|                  |                           |  | 4.5                    | 4.4                   | 4.5 |      | 4.4                           |      | 4.4                            |      |      |
|                  |                           |  | 3.0                    | 2.58                  |     |      | 2.48                          |      | 2.34                           |      |      |
|                  |                           |  | 4.5                    | 3.94                  |     |      | 3.80                          |      | 3.66                           |      |      |
| V <sub>OL</sub>  | Low-Level Output Voltage  | V <sub>IN</sub> = V <sub>IH</sub> or V <sub>IL</sub><br>I <sub>OL</sub> = 50 μA<br>I <sub>OL</sub> = 50 μA<br>I <sub>OL</sub> = 50 μA<br>I <sub>OL</sub> = 4 mA<br>I <sub>OL</sub> = 8 mA      | 2.0                    |                       | 0.0 | 0.1  |                               | 0.1  |                                | 0.1  | V    |
|                  |                           |  | 3.0                    |                       | 0.0 | 0.1  |                               | 0.1  |                                | 0.1  |      |
|                  |                           |  | 4.5                    |                       | 0.0 | 0.1  |                               | 0.1  |                                | 0.1  |      |
|                  |                           |  | 3.0                    |                       |     | 0.36 |                               | 0.44 |                                | 0.52 |      |
|                  |                           |  | 4.5                    |                       |     | 0.36 |                               | 0.44 |                                | 0.52 |      |
| I <sub>IN</sub>  | Input Leakage Current     | V <sub>IN</sub> = 5.5 V or GND   | 2.0 to 5.5             |                       |     | ±0.1 |                               | ±1.0 |                                | ±1.0 | μA   |
| I <sub>OFF</sub> | Power Off Leakage Current | V <sub>IN</sub> = 5.5 V or V <sub>OUT</sub> = 5.5 V  | 0                      |                       |     | 1.0  |                               | 10   |                                | 10   | μA   |
| I <sub>CC</sub>  | Quiescent Supply Current  | V <sub>IN</sub> = V <sub>CC</sub> or GND   | 5.5                    |                       |     | 1.0  |                               | 20   |                                | 40   | μA   |

# MC74VHC1G32, MC74VHC1GT32

## DC ELECTRICAL CHARACTERISTICS (MC74VHC1GT32)

| Symbol           | Parameter  | Test Conditions  | V <sub>CC</sub> (V) | T <sub>A</sub> = 25°C |     |      | -40°C ≤ T <sub>A</sub> ≤ 85°C |      | -55°C ≤ T <sub>A</sub> ≤ 125°C |      | Unit |
|------------------|--|--|---------------------|-----------------------|-----|------|-------------------------------|------|--------------------------------|------|------|
|                  |  |  |                     | Min                   | Typ | Max  | Min                           | Max  | Min                            | Max  |      |
| V <sub>IH</sub>  | High-Level Input Voltage                           |  | 2.0                 | 1.0                   |     |      | 1.0                           |      | 1.0                            |      | V    |
|                  |  |  | 3.0                 | 1.4                   |     |      | 1.4                           |      | 1.4                            |      |      |
|                  |  |  | 4.5                 | 2.0                   |     |      | 2.0                           |      | 2.0                            |      |      |
|                  |  |  | 5.5                 | 2.0                   |     |      | 2.0                           |      | 2.0                            |      |      |
| V <sub>IL</sub>  | Low-Level Input Voltage                            |  | 2.0                 |                       |     | 0.28 |                               | 0.28 |                                | 0.28 | V    |
|                  |  |  | 3.0                 |                       |     | 0.45 |                               | 0.45 |                                | 0.45 |      |
|                  |  |  | 4.5                 |                       |     | 0.8  |                               | 0.8  |                                | 0.8  |      |
|                  |  |  | 5.5                 |                       |     | 0.8  |                               | 0.8  |                                | 0.8  |      |
| V <sub>OH</sub>  | High-Level Output Voltage                          | V <sub>IN</sub> = V <sub>IH</sub> or V <sub>IL</sub><br>I <sub>OH</sub> = -50 μA<br>I <sub>OH</sub> = -50 μA<br>I <sub>OH</sub> = -50 μA<br>I <sub>OH</sub> = -4 mA<br>I <sub>OH</sub> = -8 mA | 2.0                 | 1.9                   | 2.0 |      | 1.9                           |      | 1.9                            |      | V    |
|                  |  |  | 3.0                 | 2.9                   | 3.0 |      | 2.9                           |      | 2.9                            |      |      |
|                  |  |  | 4.5                 | 4.4                   | 4.5 |      | 4.4                           |      | 4.4                            |      |      |
|                  |  |  | 3.0                 | 2.58                  |     |      | 2.48                          |      | 2.34                           |      |      |
|                  |  |  | 4.5                 | 3.94                  |     |      | 3.80                          |      | 3.66                           |      |      |
| V <sub>OL</sub>  | Low-Level Output Voltage                           | V <sub>IN</sub> = V <sub>IH</sub> or V <sub>IL</sub><br>I <sub>OL</sub> = 50 μA<br>I <sub>OL</sub> = 50 μA<br>I <sub>OL</sub> = 50 μA<br>I <sub>OL</sub> = 4 mA<br>I <sub>OL</sub> = 8 mA      | 2.0                 |                       | 0.0 | 0.1  |                               | 0.1  |                                | 0.1  | V    |
|                  |  |  | 3.0                 |                       | 0.0 | 0.1  |                               | 0.1  |                                | 0.1  |      |
|                  |  |  | 4.5                 |                       | 0.0 | 0.1  |                               | 0.1  |                                | 0.1  |      |
|                  |  |  | 3.0                 |                       |     | 0.36 |                               | 0.44 |                                | 0.52 |      |
|                  |  |  | 4.5                 |                       |     | 0.36 |                               | 0.44 |                                | 0.52 |      |
| I <sub>IN</sub>  | Input Leakage Current                              | V <sub>IN</sub> = 5.5 V or GND   | 2.0 to 5.5          |                       |     | ±0.1 |                               | ±1.0 |                                | ±1.0 | μA   |
| I <sub>OFF</sub> | Power Off Leakage Current                          | V <sub>IN</sub> = 5.5 V or V <sub>OUT</sub> = 5.5 V  | 0                   |                       |     | 1.0  |                               | 10   |                                | 10   | μA   |
| I <sub>CC</sub>  | Quiescent Supply Current                           | V <sub>IN</sub> = V <sub>CC</sub> or GND   | 5.5                 |                       |     | 1.0  |                               | 20   |                                | 40   | μA   |
| I <sub>CCT</sub> | Increase in Quiescent Supply Current per Input Pin | One Input: V <sub>IN</sub> = 3.4 V; Other Input at V <sub>CC</sub> or GND  | 5.5                 |                       |     | 1.35 |                               | 1.5  |                                | 1.65 | mA   |

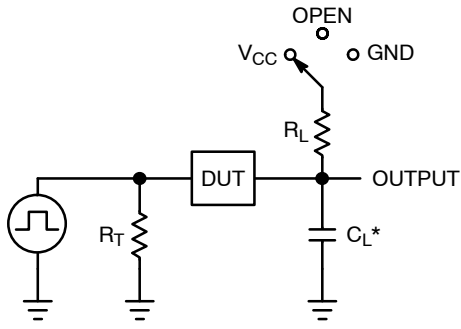
## AC ELECTRICAL CHARACTERISTICS

| Symbol                                 | Parameter                                   | Conditions                     | V <sub>CC</sub> (V) | T <sub>A</sub> = 25°C |     |      | -40°C ≤ T <sub>A</sub> ≤ 85°C |      | -55°C ≤ T <sub>A</sub> ≤ 125°C |      | Unit |
|--|---|--------------------------------|---------------------|-----------------------|-----|------|-------------------------------|------|--------------------------------|------|------|
|  |   |                                |                     | Min                   | Typ | Max  | Min                           | Max  | Min                            | Max  |      |
| t <sub>PLH</sub> ,<br>t <sub>PHL</sub> | Propagation Delay, A to Y (Figures 3 and 4) | C <sub>L</sub> = 15 pF         | 3.0 to 3.6          |                       | 4.8 | 7.9  |                               | 9.5  |                                | 11.5 | ns   |
|  |   | C <sub>L</sub> = 50 pF         |                     |                       | 6.1 | 11.4 |                               | 13.0 |                                | 15.5 |      |
|  |   | C <sub>L</sub> = 15 pF         | 4.5 to 5.5          |                       | 3.7 | 5.5  |                               | 6.5  |                                | 8.0  |      |
|  |   | C <sub>L</sub> = 50 pF         |                     |                       | 4.4 | 7.5  |                               | 8.5  |                                | 10.0 |      |
| C <sub>IN</sub>                        | Input Capacitance                           |                                |                     |                       | 4.0 | 10   |                               | 10   |                                | 10   | pF   |
| C <sub>OUT</sub>                       | Output Capacitance                          | Output in High Impedance State |                     |                       | 6.0 |      |                               |      |                                |      | pF   |

|                 |  |   |    |
|-----------------|--|---|----|
| C <sub>PD</sub> | Power Dissipation Capacitance (Note 5) | <b>Typical @ 25°C, V<sub>CC</sub> = 5.0 V</b> | pF |
|                 |  | 8.0   |    |

5. C<sub>PD</sub> is defined as the value of the internal equivalent capacitance which is calculated from the operating current consumption without load. Average operating current can be obtained by the equation: I<sub>CC(OPR)</sub> = C<sub>PD</sub> • V<sub>CC</sub> • f<sub>in</sub> + I<sub>CC</sub>. C<sub>PD</sub> is used to determine the no-load dynamic power consumption; P<sub>D</sub> = C<sub>PD</sub> • V<sub>CC</sub><sup>2</sup> • f<sub>in</sub> + I<sub>CC</sub> • V<sub>CC</sub>.

# MC74VHC1G32, MC74VHC1GT32



$C_L$  includes probe and jig capacitance  
 $R_T$  is  $Z_{OUT}$  of pulse generator (typically 50  $\Omega$ )  
 $f = 1$  MHz

**Figure 3. Test Circuit**

| Test                | Switch Position | $C_L$ , pF                   | $R_L$ , $\Omega$ |
|---------------------|-----------------|------------------------------|------------------|
| $t_{PLH} / t_{PHL}$ | Open            | See AC Characteristics Table | X                |
| $t_{PLZ} / t_{PZL}$ | $V_{CC}$        |                              | 1 k              |
| $t_{PHZ} / t_{PZH}$ | GND             |                              | 1 k              |

X = Don't Care



**Figure 4. Switching Waveforms**

| $V_{CC}$ , V | $V_{mi}$ , V | $V_{mo}$ , V          |   | $V_Y$ , V |
|--------------|--------------|-----------------------|---|-----------|
|              |              | $t_{PLH}$ , $t_{PHL}$ | $t_{PZL}$ , $t_{PLZ}$ , $t_{PZH}$ , $t_{PHZ}$ |           |
| 3.0 to 3.6   | $V_{CC}/2$   | $V_{CC}/2$            | $V_{CC}/2$                                    | 0.3       |
| 4.5 to 5.5   | $V_{CC}/2$   | $V_{CC}/2$            | $V_{CC}/2$                                    | 0.3       |

# MC74VHC1G32, MC74VHC1GT32

## ORDERING INFORMATION

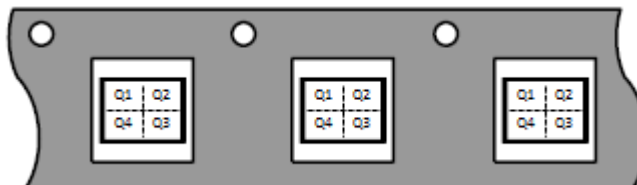
| Device                                 | Packages                | Specific Device Code | Pin 1 Orientation<br>(See below) | Shipping†          |
|--|-------------------------|----------------------|----------------------------------|--------------------|
| MC74VHC1G32DFT1G                       | SC-88A                  | V4                   | Q2                               | 3000 / Tape & Reel |
| MC74VHC1G32DFT2G                       | SC-88A                  | V4                   | Q4                               | 3000 / Tape & Reel |
| NLVVHC1G32DFT1G*                       | SC-88A                  | V4                   | Q2                               | 3000 / Tape & Reel |
| NLVVHC1G32DFT2G*                       | SC-88A                  | V4                   | Q4                               | 3000 / Tape & Reel |
| M74VHC1GT32DFT1G                       | SC-88A                  | VN                   | Q2                               | 3000 / Tape & Reel |
| M74VHC1GT32DFT2G                       | SC-88A                  | VN                   | Q4                               | 3000 / Tape & Reel |
| NLVVHC1GT32DFT2G*                      | SC-88A                  | VN                   | Q4                               | 3000 / Tape & Reel |
| NLVVHC1GT32DFT1G*                      | SC-88A                  | VN                   | Q2                               | 3000 / Tape & Reel |
| MC74VHC1G32DBVT1G                      | SC-74A                  | V4                   | Q4                               | 3000 / Tape & Reel |
| MC74VHC1GT32DBVT1G                     | SC-74A                  | VN                   | Q4                               | 3000 / Tape & Reel |
| MC74VHC1G32DTT1G                       | TSOP-5                  | V4                   | Q4                               | 3000 / Tape & Reel |
| NLVVHC1G32DTT1G*                       | TSOP-5                  | V4                   | Q4                               | 3000 / Tape & Reel |
| NLV74VHC1GT32DTT1G*                    | TSOP-5                  | VN                   | Q4                               | 3000 / Tape & Reel |
| M74VHC1GT32DTT1G*                      | TSOP-5                  | VN                   | Q4                               | 3000 / Tape & Reel |
| MC74VHC1G32P5T5G                       | SOT-953                 | F                    | Q2                               | 8000 / Tape & Reel |
| MC74VHC1GT32P5T5G                      | SOT-953                 | Q                    | Q2                               | 8000 / Tape & Reel |
| MC74VHC1G32MU1TCG                      | UDFN6, 1.45 x 1.0, 0.5P | 3 (Rotated 90° CW)   | Q4                               | 3000 / Tape & Reel |
| MC74VHC1GT32MU1TCG<br>(In Development) | UDFN6, 1.45 x 1.0, 0.5P | T (Rotated 180° CW)  | Q4                               | 3000 / Tape & Reel |
| MC74VHC1G32MU2TCG                      | UDFN6, 1.2 x 1.0, 0.4P  | 3                    | Q4                               | 3000 / Tape & Reel |
| MC74VHC1GT32MU2TCG<br>(In Development) | UDFN6, 1.2 x 1.0, 0.4P  | 5                    | Q4                               | 3000 / Tape & Reel |
| MC74VHC1G32MU3TCG                      | UDFN6, 1.0 x 1.0, 0.35P | F (Rotated 180° CW)  | Q4                               | 3000 / Tape & Reel |
| MC74VHC1GT32MU3TCG<br>(In Development) | UDFN6, 1.0 x 1.0, 0.35P | Q                    | Q4                               | 3000 / Tape & Reel |

†For information on tape and reel specifications, including part orientation and tape sizes, please refer to our Tape and Reel Packaging Specifications Brochure, BRD8011/D.

\*NLV Prefix for Automotive and Other Applications Requiring Unique Site and Control Change Requirements; AEC-Q100 Qualified and PPAP Capable.

### Pin 1 Orientation in Tape and Reel

Direction of Feed



# MECHANICAL CASE OUTLINE

## PACKAGE DIMENSIONS

ON Semiconductor®



SCALE 2:1

### SC-74A CASE 318BQ ISSUE B

DATE 18 JAN 2018



NOTES:

1. DIMENSIONING AND TOLERANCING PER ASME Y14.5M, 1994.
2. CONTROLLING DIMENSION: MILLIMETERS.
3. MAXIMUM LEAD THICKNESS INCLUDES LEAD FINISH THICKNESS. MINIMUM LEAD THICKNESS IS THE MINIMUM THICKNESS OF BASE MATERIAL.
4. DIMENSIONS A AND B DO NOT INCLUDE MOLD FLASH, PROTRUSIONS, OR GATE BURRS. MOLD FLASH, PROTRUSIONS, OR GATE BURRS SHALL NOT EXCEED 0.15 PER SIDE.

| DIM | MILLIMETERS |      |
|-----|-------------|------|
|     | MIN         | MAX  |
| A   | 0.90        | 1.10 |
| A1  | 0.01        | 0.10 |
| b   | 0.25        | 0.50 |
| c   | 0.10        | 0.26 |
| D   | 2.85        | 3.15 |
| E   | 2.50        | 3.00 |
| E1  | 1.35        | 1.65 |
| e   | 0.95 BSC    |      |
| L   | 0.20        | 0.60 |
| M   | 0°          | 10°  |

#### RECOMMENDED SOLDERING FOOTPRINT\*



#### GENERIC MARKING DIAGRAM\*



- XXX = Specific Device Code
- M = Date Code
- = Pb-Free Package

(Note: Microdot may be in either location)

\*This information is generic. Please refer to device data sheet for actual part marking. Pb-Free indicator, "G" or microdot "▪", may or may not be present. Some products may not follow the Generic Marking.

\*For additional information on our Pb-Free strategy and soldering details, please download the ON Semiconductor Soldering and Mounting Techniques Reference Manual, SOLDERRM/D.

|                         |                    |  |
|-------------------------|--------------------|--|
| <b>DOCUMENT NUMBER:</b> | <b>98AON66279G</b> | Electronic versions are uncontrolled except when accessed directly from the Document Repository. Printed versions are uncontrolled except when stamped "CONTROLLED COPY" in red. |
| <b>DESCRIPTION:</b>     | <b>SC-74A</b>      | <b>PAGE 1 OF 1</b>   |

ON Semiconductor and are trademarks of Semiconductor Components Industries, LLC dba ON Semiconductor or its subsidiaries in the United States and/or other countries. ON Semiconductor reserves the right to make changes without further notice to any products herein. ON Semiconductor makes no warranty, representation or guarantee regarding the suitability of its products for any particular purpose, nor does ON Semiconductor assume any liability arising out of the application or use of any product or circuit, and specifically disclaims any and all liability, including without limitation special, consequential or incidental damages. ON Semiconductor does not convey any license under its patent rights nor the rights of others.



# MECHANICAL CASE OUTLINE

## PACKAGE DIMENSIONS

ON Semiconductor®



SCALE 2:1

SC-88A (SC-70-5/SOT-353)  
CASE 419A-02  
ISSUE L

DATE 17 JAN 2013



### SOLDER FOOTPRINT



NOTES:

1. DIMENSIONING AND TOLERANCING PER ANSI Y14.5M, 1982.
2. CONTROLLING DIMENSION: INCH.
3. 419A-01 OBSOLETE. NEW STANDARD 419A-02.
4. DIMENSIONS A AND B DO NOT INCLUDE MOLD FLASH, PROTRUSIONS, OR GATE BURRS.

| DIM | INCHES    |       | MILLIMETERS |      |
|-----|-----------|-------|-------------|------|
|     | MIN       | MAX   | MIN         | MAX  |
| A   | 0.071     | 0.087 | 1.80        | 2.20 |
| B   | 0.045     | 0.053 | 1.15        | 1.35 |
| C   | 0.031     | 0.043 | 0.80        | 1.10 |
| D   | 0.004     | 0.012 | 0.10        | 0.30 |
| G   | 0.026 BSC |       | 0.65 BSC    |      |
| H   | ---       | 0.004 | ---         | 0.10 |
| J   | 0.004     | 0.010 | 0.10        | 0.25 |
| K   | 0.004     | 0.012 | 0.10        | 0.30 |
| N   | 0.008 REF |       | 0.20 REF    |      |
| S   | 0.079     | 0.087 | 2.00        | 2.20 |

### GENERIC MARKING DIAGRAM\*



- XXX = Specific Device Code
- M = Date Code
- = Pb-Free Package

(Note: Microdot may be in either location)

\*This information is generic. Please refer to device data sheet for actual part marking. Pb-Free indicator, "G" or microdot "▪", may or may not be present. Some products may not follow the Generic Marking.

- |  |  |  |  |  |
|--|--|--|--|--|
| <p>STYLE 1:<br/>PIN 1. BASE<br/>2. EMITTER<br/>3. BASE<br/>4. COLLECTOR<br/>5. COLLECTOR</p>                   | <p>STYLE 2:<br/>PIN 1. ANODE<br/>2. EMITTER<br/>3. BASE<br/>4. COLLECTOR<br/>5. CATHODE</p>  | <p>STYLE 3:<br/>PIN 1. ANODE 1<br/>2. N/C<br/>3. ANODE 2<br/>4. CATHODE 2<br/>5. CATHODE 1</p> | <p>STYLE 4:<br/>PIN 1. SOURCE 1<br/>2. DRAIN 1/2<br/>3. SOURCE 1<br/>4. GATE 1<br/>5. GATE 2</p> | <p>STYLE 5:<br/>PIN 1. CATHODE<br/>2. COMMON ANODE<br/>3. CATHODE 2<br/>4. CATHODE 3<br/>5. CATHODE 4</p>  |
| <p>STYLE 6:<br/>PIN 1. EMITTER 2<br/>2. BASE 2<br/>3. EMITTER 1<br/>4. COLLECTOR<br/>5. COLLECTOR 2/BASE 1</p> | <p>STYLE 7:<br/>PIN 1. BASE<br/>2. EMITTER<br/>3. BASE<br/>4. COLLECTOR<br/>5. COLLECTOR</p> | <p>STYLE 8:<br/>PIN 1. CATHODE<br/>2. COLLECTOR<br/>3. N/C<br/>4. BASE<br/>5. EMITTER</p>      | <p>STYLE 9:<br/>PIN 1. ANODE<br/>2. CATHODE<br/>3. ANODE<br/>4. ANODE<br/>5. ANODE</p>           | <p>Note: Please refer to datasheet for style callout. If style type is not called out in the datasheet refer to the device datasheet pinout or pin assignment.</p> |

|                  |                          |  |
|------------------|--------------------------|--|
| DOCUMENT NUMBER: | 98ASB42984B              | Electronic versions are uncontrolled except when accessed directly from the Document Repository. Printed versions are uncontrolled except when stamped "CONTROLLED COPY" in red. |
| DESCRIPTION:     | SC-88A (SC-70-5/SOT-353) | PAGE 1 OF 1  |

ON Semiconductor and ON are trademarks of Semiconductor Components Industries, LLC dba ON Semiconductor or its subsidiaries in the United States and/or other countries. ON Semiconductor reserves the right to make changes without further notice to any products herein. ON Semiconductor makes no warranty, representation or guarantee regarding the suitability of its products for any particular purpose, nor does ON Semiconductor assume any liability arising out of the application or use of any product or circuit, and specifically disclaims any and all liability, including without limitation special, consequential or incidental damages. ON Semiconductor does not convey any license under its patent rights nor the rights of others.

# MECHANICAL CASE OUTLINE

## PACKAGE DIMENSIONS

ON Semiconductor®



SCALE 2:1

### TSOP-5 CASE 483 ISSUE N

DATE 12 AUG 2020



NOTES:

1. DIMENSIONING AND TOLERANCING PER ASME Y14.5M, 1994.
2. CONTROLLING DIMENSION: MILLIMETERS.
3. MAXIMUM LEAD THICKNESS INCLUDES LEAD FINISH THICKNESS. MINIMUM LEAD THICKNESS IS THE MINIMUM THICKNESS OF BASE MATERIAL.
4. DIMENSIONS A AND B DO NOT INCLUDE MOLD FLASH, PROTRUSIONS, OR GATE BURRS. MOLD FLASH, PROTRUSIONS, OR GATE BURRS SHALL NOT EXCEED 0.15 PER SIDE. DIMENSION A.
5. OPTIONAL CONSTRUCTION: AN ADDITIONAL TRIMMED LEAD IS ALLOWED IN THIS LOCATION. TRIMMED LEAD NOT TO EXTEND MORE THAN 0.2 FROM BODY.

| DIM | MILLIMETERS |      |
|-----|-------------|------|
|     | MIN         | MAX  |
| A   | 2.85        | 3.15 |
| B   | 1.35        | 1.65 |
| C   | 0.90        | 1.10 |
| D   | 0.25        | 0.50 |
| G   | 0.95 BSC    |      |
| H   | 0.01        | 0.10 |
| J   | 0.10        | 0.26 |
| K   | 0.20        | 0.60 |
| M   | 0°          | 10°  |
| S   | 2.50        | 3.00 |

#### SOLDERING FOOTPRINT\*



\*For additional information on our Pb-Free strategy and soldering details, please download the ON Semiconductor Soldering and Mounting Techniques Reference Manual, SOLDERRM/D.

#### GENERIC MARKING DIAGRAM\*



- XXX = Specific Device Code    XXX = Specific Device Code  
 A = Assembly Location        M = Date Code  
 Y = Year                        ▪ = Pb-Free Package  
 W = Work Week  
 ▪ = Pb-Free Package

(Note: Microdot may be in either location)

\*This information is generic. Please refer to device data sheet for actual part marking. Pb-Free indicator, "G" or microdot "▪", may or may not be present.

|                  |             |  |
|------------------|-------------|--|
| DOCUMENT NUMBER: | 98ARB18753C | Electronic versions are uncontrolled except when accessed directly from the Document Repository. Printed versions are uncontrolled except when stamped "CONTROLLED COPY" in red. |
| DESCRIPTION:     | TSOP-5      | PAGE 1 OF 1  |

ON Semiconductor and ON are trademarks of Semiconductor Components Industries, LLC dba ON Semiconductor or its subsidiaries in the United States and/or other countries. ON Semiconductor reserves the right to make changes without further notice to any products herein. ON Semiconductor makes no warranty, representation or guarantee regarding the suitability of its products for any particular purpose, nor does ON Semiconductor assume any liability arising out of the application or use of any product or circuit, and specifically disclaims any and all liability, including without limitation special, consequential or incidental damages. ON Semiconductor does not convey any license under its patent rights nor the rights of others.

# MECHANICAL CASE OUTLINE

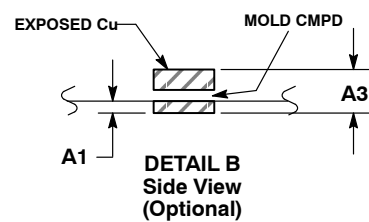
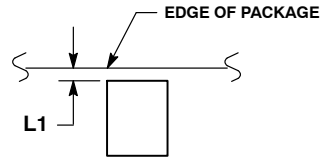
## PACKAGE DIMENSIONS

ON Semiconductor®



### UDFN6, 1.2x1.0, 0.4P CASE 517AA-01 ISSUE D

DATE 03 SEP 2010



**NOTES:**

1. DIMENSIONING AND TOLERANCING PER ASME Y14.5M, 1994.
2. CONTROLLING DIMENSION: MILLIMETERS.
3. DIMENSION b APPLIES TO PLATED TERMINAL AND IS MEASURED BETWEEN 0.25 AND 0.30 mm FROM TERMINAL.
4. COPLANARITY APPLIES TO THE EXPOSED PAD AS WELL AS THE TERMINALS.

| MILLIMETERS |       |      |
|-------------|-------|------|
| DIM         | MIN   | MAX  |
| A           | 0.45  | 0.55 |
| A1          | 0.00  | 0.05 |
| A3          | 0.127 | REF  |
| b           | 0.15  | 0.25 |
| D           | 1.20  | BSC  |
| E           | 1.00  | BSC  |
| e           | 0.40  | BSC  |
| L           | 0.30  | 0.40 |
| L1          | 0.00  | 0.15 |
| L2          | 0.40  | 0.50 |

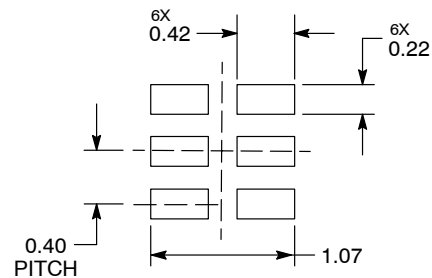
**GENERIC MARKING DIAGRAM\***



X = Specific Device Code  
M = Date Code

\*This information is generic. Please refer to device data sheet for actual part marking. Pb-Free indicator, "G" or microdot "▪", may or may not be present.

**MOUNTING FOOTPRINT\***



DIMENSIONS: MILLIMETERS

\*For additional information on our Pb-Free strategy and soldering details, please download the ON Semiconductor Soldering and Mounting Techniques Reference Manual, SOLDERRM/D.

|                         |                                  |  |
|-------------------------|----------------------------------|--|
| <b>DOCUMENT NUMBER:</b> | <b>98AON22068D</b>               | Electronic versions are uncontrolled except when accessed directly from the Document Repository. Printed versions are uncontrolled except when stamped "CONTROLLED COPY" in red. |
| <b>DESCRIPTION:</b>     | <b>6 PIN UDFN, 1.2X1.0, 0.4P</b> | <b>PAGE 1 OF 1</b>   |

ON Semiconductor and ON are trademarks of Semiconductor Components Industries, LLC dba ON Semiconductor or its subsidiaries in the United States and/or other countries. ON Semiconductor reserves the right to make changes without further notice to any products herein. ON Semiconductor makes no warranty, representation or guarantee regarding the suitability of its products for any particular purpose, nor does ON Semiconductor assume any liability arising out of the application or use of any product or circuit, and specifically disclaims any and all liability, including without limitation special, consequential or incidental damages. ON Semiconductor does not convey any license under its patent rights nor the rights of others.

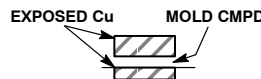
# MECHANICAL CASE OUTLINE PACKAGE DIMENSIONS



SCALE 4:1

UDFN6, 1.45x1.0, 0.5P  
CASE 517AQ  
ISSUE O

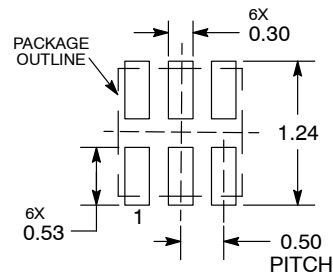
DATE 15 MAY 2008



- NOTES:
1. DIMENSIONING AND TOLERANCING PER ASME Y14.5M, 1994.
  2. CONTROLLING DIMENSION: MILLIMETERS.
  3. DIMENSION b APPLIES TO PLATED TERMINAL AND IS MEASURED BETWEEN 0.15 AND 0.30 mm FROM THE TERMINAL TIP.

| MILLIMETERS |          |      |
|-------------|----------|------|
| DIM         | MIN      | MAX  |
| A           | 0.45     | 0.55 |
| A1          | 0.00     | 0.05 |
| A2          | 0.07 REF |      |
| b           | 0.20     | 0.30 |
| D           | 1.45 BSC |      |
| E           | 1.00 BSC |      |
| e           | 0.50 BSC |      |
| L           | 0.30     | 0.40 |
| L1          | ---      | 0.15 |

### MOUNTING FOOTPRINT



DIMENSIONS: MILLIMETERS

\*For additional information on our Pb-Free strategy and soldering details, please download the ON Semiconductor Soldering and Mounting Techniques Reference Manual, SOLDERRM/D.

### GENERIC MARKING DIAGRAM\*



X = Specific Device Code  
M = Date Code

\*This information is generic. Please refer to device data sheet for actual part marking. Pb-Free indicator, "G" or microdot "▪", may or may not be present.

|                         |                              |  |
|-------------------------|------------------------------|--|
| <b>DOCUMENT NUMBER:</b> | <b>98AON30313E</b>           | Electronic versions are uncontrolled except when accessed directly from the Document Repository. Printed versions are uncontrolled except when stamped "CONTROLLED COPY" in red. |
| <b>DESCRIPTION:</b>     | <b>UDFN6, 1.45x1.0, 0.5P</b> | <b>PAGE 1 OF 1</b>   |

onsemi and ONsemi are trademarks of Semiconductor Components Industries, LLC dba onsemi or its subsidiaries in the United States and/or other countries. onsemi reserves the right to make changes without further notice to any products herein. onsemi makes no warranty, representation or guarantee regarding the suitability of its products for any particular purpose, nor does onsemi assume any liability arising out of the application or use of any product or circuit, and specifically disclaims any and all liability, including without limitation special, consequential or incidental damages. onsemi does not convey any license under its patent rights nor the rights of others.

# MECHANICAL CASE OUTLINE PACKAGE DIMENSIONS



UDFN6, 1x1, 0.35P  
CASE 517BX  
ISSUE O

SCALE 4:1

DATE 18 MAY 2011

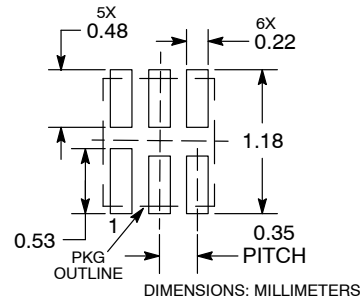


NOTES:

1. DIMENSIONING AND TOLERANCING PER ASME Y14.5M, 1994.
2. CONTROLLING DIMENSION: MILLIMETERS.
3. DIMENSION b APPLIES TO PLATED TERMINAL AND IS MEASURED BETWEEN 0.15 AND 0.20 MM FROM TERMINAL TIP.
4. PACKAGE DIMENSIONS EXCLUSIVE OF BURRS AND MOLD FLASH.

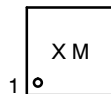
| MILLIMETERS |      |      |
|-------------|------|------|
| DIM         | MIN  | MAX  |
| A           | 0.45 | 0.55 |
| A1          | 0.00 | 0.05 |
| A3          | 0.13 | REF  |
| b           | 0.12 | 0.22 |
| D           | 1.00 | BSC  |
| E           | 1.00 | BSC  |
| e           | 0.35 | BSC  |
| L           | 0.25 | 0.35 |
| L1          | 0.30 | 0.40 |

**RECOMMENDED  
SOLDERING FOOTPRINT\***



\*For additional information on our Pb-Free strategy and soldering details, please download the ON Semiconductor Soldering and Mounting Techniques Reference Manual, SOLDERRM/D.

**GENERIC  
MARKING DIAGRAM\***



X = Specific Device Code  
M = Date Code

\*This information is generic. Please refer to device data sheet for actual part marking. Pb-Free indicator, "G" or microdot "▪", may or may not be present. Some products may not follow the Generic Marking.

|                         |                          |  |
|-------------------------|--------------------------|--|
| <b>DOCUMENT NUMBER:</b> | <b>98AON56787E</b>       | Electronic versions are uncontrolled except when accessed directly from the Document Repository. Printed versions are uncontrolled except when stamped "CONTROLLED COPY" in red. |
| <b>DESCRIPTION:</b>     | <b>UDFN6, 1x1, 0.35P</b> | <b>PAGE 1 OF 1</b>   |

onsemi and ONSEMI are trademarks of Semiconductor Components Industries, LLC dba onsemi or its subsidiaries in the United States and/or other countries. onsemi reserves the right to make changes without further notice to any products herein. onsemi makes no warranty, representation or guarantee regarding the suitability of its products for any particular purpose, nor does onsemi assume any liability arising out of the application or use of any product or circuit, and specifically disclaims any and all liability, including without limitation special, consequential or incidental damages. onsemi does not convey any license under its patent rights nor the rights of others.

# MECHANICAL CASE OUTLINE PACKAGE DIMENSIONS

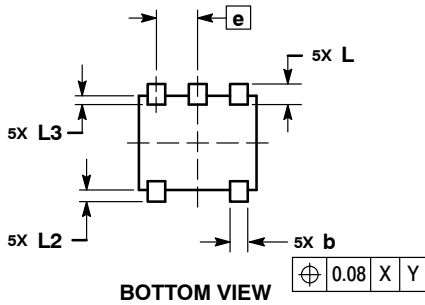
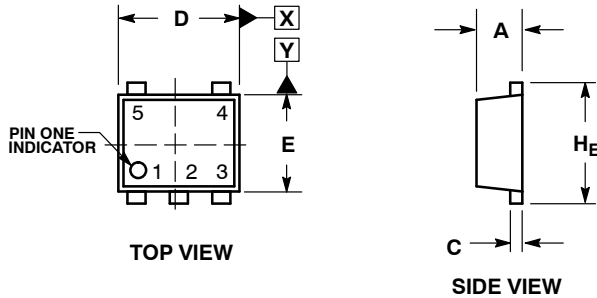
ON Semiconductor®



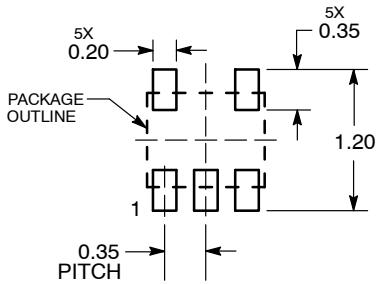
SCALE 4:1

**SOT-953**  
CASE 527AE  
ISSUE E

DATE 02 AUG 2011



### SOLDERING FOOTPRINT\*



DIMENSIONS: MILLIMETERS

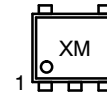
\*For additional information on our Pb-Free strategy and soldering details, please download the ON Semiconductor Soldering and Mounting Techniques Reference Manual, SOLDERRM/D.

### NOTES:

1. DIMENSIONING AND TOLERANCING PER ASME Y14.5M, 1994.
2. CONTROLLING DIMENSION: MILLIMETERS
3. MAXIMUM LEAD THICKNESS INCLUDES LEAD FINISH. MINIMUM LEAD THICKNESS IS THE MINIMUM THICKNESS OF THE BASE MATERIAL.
4. DIMENSIONS D AND E DO NOT INCLUDE MOLD FLASH, PROTRUSIONS, OR GATE BURRS.

| DIM | MILLIMETERS |      |      |
|-----|-------------|------|------|
|     | MIN         | NOM  | MAX  |
| A   | 0.34        | 0.37 | 0.40 |
| b   | 0.10        | 0.15 | 0.20 |
| C   | 0.07        | 0.12 | 0.17 |
| D   | 0.95        | 1.00 | 1.05 |
| E   | 0.75        | 0.80 | 0.85 |
| e   | 0.35 BSC    |      |      |
| HE  | 0.95        | 1.00 | 1.05 |
| L   | 0.175 REF   |      |      |
| L2  | 0.05        | 0.10 | 0.15 |
| L3  | ---         | ---  | 0.15 |

### GENERIC MARKING DIAGRAM\*



X = Specific Device Code  
M = Month Code

\*This information is generic. Please refer to device data sheet for actual part marking.  
Pb-Free indicator, "G" or microdot "▪", may or may not be present.

|                         |                    |  |
|-------------------------|--------------------|--|
| <b>DOCUMENT NUMBER:</b> | <b>98AON26457D</b> | Electronic versions are uncontrolled except when accessed directly from the Document Repository. Printed versions are uncontrolled except when stamped "CONTROLLED COPY" in red. |
| <b>DESCRIPTION:</b>     | <b>SOT-953</b>     | <b>PAGE 1 OF 1</b>   |

ON Semiconductor and are trademarks of Semiconductor Components Industries, LLC dba ON Semiconductor or its subsidiaries in the United States and/or other countries. ON Semiconductor reserves the right to make changes without further notice to any products herein. ON Semiconductor makes no warranty, representation or guarantee regarding the suitability of its products for any particular purpose, nor does ON Semiconductor assume any liability arising out of the application or use of any product or circuit, and specifically disclaims any and all liability, including without limitation special, consequential or incidental damages. ON Semiconductor does not convey any license under its patent rights nor the rights of others.

**onsemi**, **Onsemi**, and other names, marks, and brands are registered and/or common law trademarks of Semiconductor Components Industries, LLC dba "**onsemi**" or its affiliates and/or subsidiaries in the United States and/or other countries. **onsemi** owns the rights to a number of patents, trademarks, copyrights, trade secrets, and other intellectual property. A listing of **onsemi**'s product/patent coverage may be accessed at [www.onsemi.com/site/pdf/Patent-Marking.pdf](http://www.onsemi.com/site/pdf/Patent-Marking.pdf). **onsemi** reserves the right to make changes at any time to any products or information herein, without notice. The information herein is provided "as-is" and **onsemi** makes no warranty, representation or guarantee regarding the accuracy of the information, product features, availability, functionality, or suitability of its products for any particular purpose, nor does **onsemi** assume any liability arising out of the application or use of any product or circuit, and specifically disclaims any and all liability, including without limitation special, consequential or incidental damages. Buyer is responsible for its products and applications using **onsemi** products, including compliance with all laws, regulations and safety requirements or standards, regardless of any support or applications information provided by **onsemi**. "Typical" parameters which may be provided in **onsemi** data sheets and/or specifications can and do vary in different applications and actual performance may vary over time. All operating parameters, including "Typicals" must be validated for each customer application by customer's technical experts. **onsemi** does not convey any license under any of its intellectual property rights nor the rights of others. **onsemi** products are not designed, intended, or authorized for use as a critical component in life support systems or any FDA Class 3 medical devices or medical devices with a same or similar classification in a foreign jurisdiction or any devices intended for implantation in the human body. Should Buyer purchase or use **onsemi** products for any such unintended or unauthorized application, Buyer shall indemnify and hold **onsemi** and its officers, employees, subsidiaries, affiliates, and distributors harmless against all claims, costs, damages, and expenses, and reasonable attorney fees arising out of, directly or indirectly, any claim of personal injury or death associated with such unintended or unauthorized use, even if such claim alleges that **onsemi** was negligent regarding the design or manufacture of the part. **onsemi** is an Equal Opportunity/Affirmative Action Employer. This literature is subject to all applicable copyright laws and is not for resale in any manner.

## PUBLICATION ORDERING INFORMATION

### LITERATURE FULFILLMENT:

Email Requests to: [orderlit@onsemi.com](mailto:orderlit@onsemi.com)

**onsemi Website:** [www.onsemi.com](http://www.onsemi.com)

### TECHNICAL SUPPORT

**North American Technical Support:**

Voice Mail: 1 800-282-9855 Toll Free USA/Canada

Phone: 011 421 33 790 2910

**Europe, Middle East and Africa Technical Support:**

Phone: 00421 33 790 2910

For additional information, please contact your local Sales Representative

## X-ON Electronics

Largest Supplier of Electrical and Electronic Components

*Click to view similar products for [Logic Gates](#) category:*

*Click to view products by [ON Semiconductor](#) manufacturer:*

Other Similar products are found below :

[74HC85N](#) [NLU1G32AMUTCG](#) [CD4068BE](#) [NL17SG32P5T5G](#) [NL17SG86DFT2G](#) [NLV14001UBDR2G](#) [NLX1G11AMUTCG](#)  
[NLX1G97MUTCG](#) [74LS38](#) [74LVC32ADTR2G](#) [MC74HCT20ADTR2G](#) [NLV17SZ00DFT2G](#) [NLV17SZ02DFT2G](#) [NLV74HC02ADR2G](#)  
[74HC32S14-13](#) [74LS133](#) [74LVC1G32Z-7](#) [M38510/30402BDA](#) [74LVC1G86Z-7](#) [74LVC2G08RA3-7](#) [NLV74HC08ADTR2G](#)  
[NLV74HC14ADR2G](#) [NLV74HC20ADR2G](#) [NLX2G86MUTCG](#) [5962-8973601DA](#) [74LVC2G02HD4-7](#) [NLU1G00AMUTCG](#)  
[74LVC2G32RA3-7](#) [74LVC2G00HD4-7](#) [NL17SG02P5T5G](#) [74LVC2G00HK3-7](#) [74LVC2G86HK3-7](#) [NLX1G99DMUTWG](#)  
[NLVVHC1G00DFT2G](#) [NLVHC1G08DFT2G](#) [NLV7SZ57DFT2G](#) [NLV74VHC04DTR2G](#) [NLV27WZ86USG](#) [NLV27WZ00USG](#)  
[NLU1G86CMUTCG](#) [NLU1G08CMUTCG](#) [NL17SZ32P5T5G](#) [NL17SZ00P5T5G](#) [NL17SH02P5T5G](#) [74AUP2G00RA3-7](#)  
[NLV74HC02ADTR2G](#) [NLX1G332CMUTCG](#) [NL17SG86P5T5G](#) [NL17SZ05P5T5G](#) [NLV74VHC00DTR2G](#)