

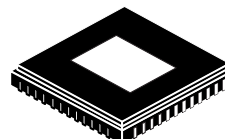
# MT9V131

## 1/4-Inch SOC VGA CMOS Digital Image Sensor



ON Semiconductor®

[www.onsemi.com](http://www.onsemi.com)



CLCC48 11.43 × 11.43  
CASE 848AQ

Table 1. KEY PERFORMANCE PARAMETERS

Parameter		Typical Value
Optical Format		1/4-inch (4:3)
Active Imager Size		3.58 mm (H) × 2.69 mm (V) 4.48 mm (Diagonal)
Active Pixels		640 (H) × 480 (V) (VGA)
Pixel Size		5.6 μm × 5.6 μm
Color Filter Array		RGB Bayer Pattern
Shutter Type		Electronic Rolling Shutter (ERS)
Maximum Data Rate Master Clock		12–13.5 Mp/s 24–27 MHz
Frame Rate	VGA (640 × 480)	15 fps at 12 MHz (default), programmable up to 30 fps at 27 MHz
	CIF (352 × 288)	Programmable up to 60 fps
	QVGA (320 × 240)	Programmable up to 90 fps
ADC Resolution		10-bit, on-chip
Responsivity		1.9 V/lux–sec (550 nm)
Dynamic Range		60 dB
SNR <sub>MAX</sub>		45 dB
Supply Voltage		2.8 V +0.25 V
Power Consumption		<80 mW at 2.8 V, 15 fps at 12 MHz
Operating Temperature		–20°C to +70°C
Packaging		48-Pin CLCC

### Features

- System-on-a-Chip (SOC) – Completely Integrated Camera System
- Ultra Low-power, Cost Effective CMOS Image Sensor
- Superior Low-light Performance
- Up to 30 fps Progressive Scan at 27 MHz for High-quality Video at VGA Resolution
- On-chip Image Flow Processor (IFP) Performs Sophisticated Processing: Color Recovery and Correction, Sharpening, Gamma, Lens Shading Correction, On-the-fly Defect Correction, 2X Fixed Zoom
- Image Decimation to Arbitrary Size with Smooth, Continuous Zoom and Pan
- Automatic Exposure, White Balance and Black Compensation, Flicker Avoidance, Color Saturation, and Defect Identification and Correction, Auto Frame Rate, Back Light Compensation
- Xenon and LED – Type Flash Support
- Two-wire Serial Programming Interface
- Progressive ITU\_R BT.656 (YCbCr), YUV, 565RGB, 555RGB, and 444RGB Output Data Formats

### ORDERING INFORMATION

See detailed ordering and shipping information on page 2 of this data sheet.

### Applications

- Security
- Biometrics
- Toys

# MT9V131

## ORDERING INFORMATION

**Table 2. AVAILABLE PART NUMBERS**

Part Number	Product Description	Orderable Product Attribute Description †
MT9V131C12STC-DR	VGA 1/4" SOC	Dry Pack without Protective Film
MT9V131C12STC-TR	VGA 1/4" SOC	Tape & Reel without Protective Film

†For information on tape and reel specifications, including part orientation and tape sizes, please refer to our Tape and Reel Packaging Specification Brochure, BRD8011/D.

See the ON Semiconductor Device Nomenclature document ([TND310/D](#)) for a full description of the naming convention used for image sensors. For reference

documentation, including information on evaluation kits, please visit our web site at [www.onsemi.com](http://www.onsemi.com).

## GENERAL DESCRIPTION

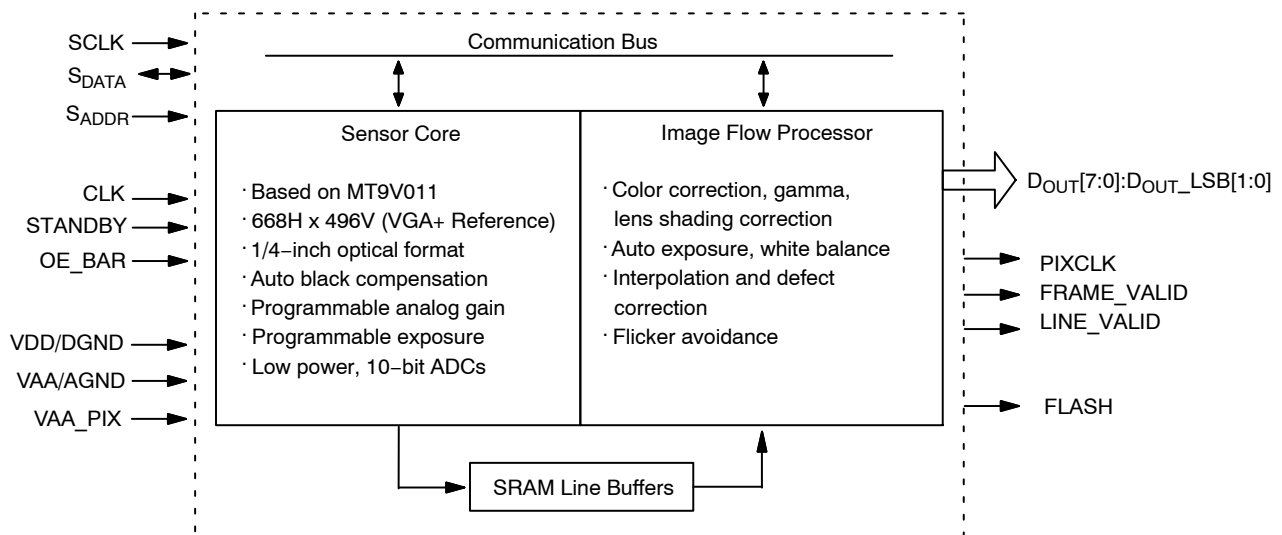
The ON Semiconductor MT9V131 is a 1/4-inch VGA-format CMOS active-pixel digital image sensor, the result of combining the MT9V011 image sensor core with ON Semiconductor's third-generation digital image flow processor technology. The MT9V131 has an active imaging pixel array of 649 × 489, capturing high-quality color images at VGA resolution.

The sensor is a complete camera-on-a-chip solution and is designed specifically to meet the demands of products such as surveillance cameras. It incorporates sophisticated camera functions on-chip and is programmable through a simple two-wire serial interface.

This SOC VGA CMOS image sensor features ON Semiconductor's breakthrough, low-noise CMOS imaging technology that achieves CCD image quality (based on signal-to-noise ratio and low-light sensitivity) while maintaining the inherent size, cost, and integration advantages of CMOS.

The MT9V131 is a fully-automatic, single-chip camera, requiring only a power supply, lens, and clock source for basic operation. Output video is streamed through a parallel 8-bit DOUT port, as shown in Figure 1. The output pixel clock is used to latch the data, while FRAME\_VALID (FV) and LINE\_VALID (LV) signals indicate the active video. The sensor can be put in an ultra-low power sleep mode by asserting the STANDBY pin. Output signals can also be tri-stated by de-asserting the OE\_BAR pin. The MT9V131 internal registers can be configured using a two-wire serial interface.

The MT9V131 can be programmed to output progressive scan images up to 30 fps in an 8-bit ITU\_R BT.656 (YCbCr) formerly CCIR656, YUV, 565RGB, 555RGB, or 444RGB formats. 10-bit raw Bayer data output can also be selected. The FV and LV signals are output on dedicated pins, along with a pixel clock (PIXCLK) that is synchronous with valid data.



**Figure 1. Chip Block Diagram**

The MT9V131 can accept an input clock of up to 27 MHz, delivering 30 fps. With power-on defaults (see Appendix B for recommended defaults), the camera is configured to deliver 15 fps at 12 MHz and automatically slows down the

frame rate in low-light conditions to achieve longer exposures and better image quality.

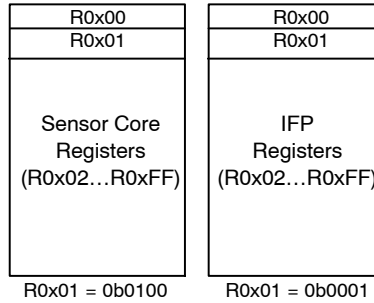
Internally, the MT9V131 consists of a sensor core and an image flow processor (IFP). The sensor core functions to

# MT9V131

capture raw Bayer-encoded images that are input into the IFP as shown in Figure 1. The IFP processes the incoming stream to create interpolated, color-corrected output and controls the sensor core to maintain the desirable exposure and color balance.

Sensor core and IFP registers are grouped into two separate address spaces, as shown in Figure 2. The internal

registers can be accessed through the two-wire serial interface. Selecting the desired address space can be accomplished by programming register R0x01, which remains present in both register sets.

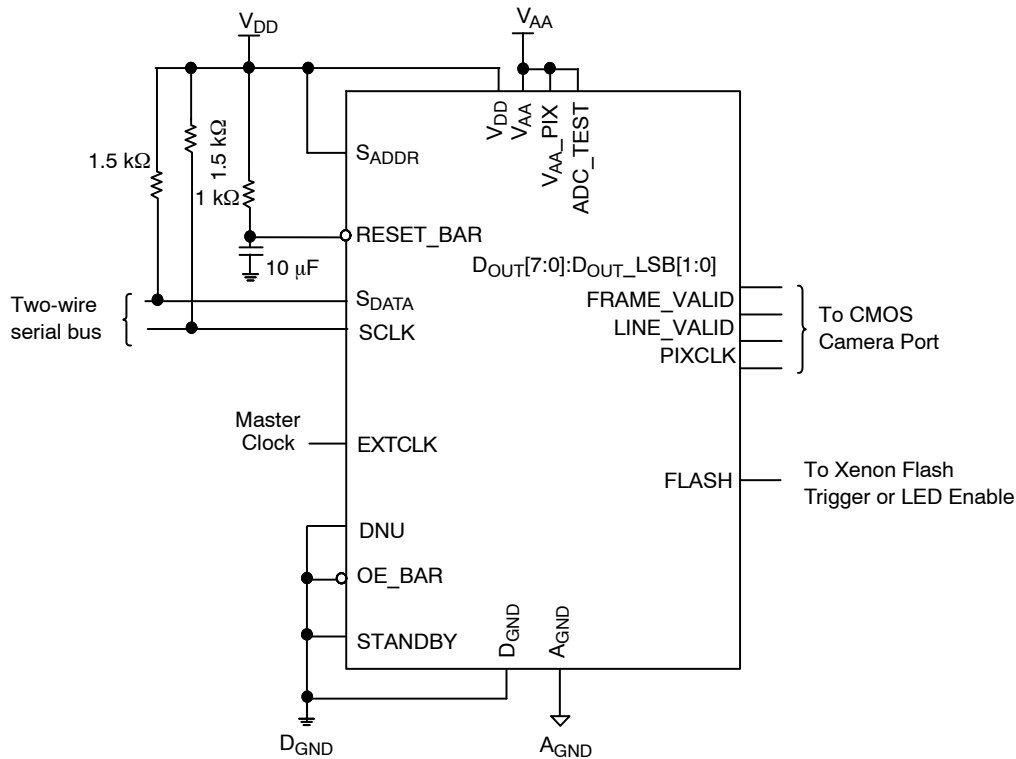


NOTE: Program R0x01 to select the desired space (0b0100 = sensor core registers, 0b0001 = IFP/SOC registers).

**Figure 2. Internal Register Grouping**

Figure 3 shows MT9V131 typical connections. For low-noise operation, the MT9V131 requires separate supplies for analog and digital power. Incoming digital and analog ground conductors can be tied together right next to

the die. Both power supply rails should be decoupled to ground using capacitors. The use of inductance filters is not recommended.



NOTE: ON Semiconductor recommends a 1.5 kΩ resistor value, but it may be greater for slower two-wire speed.

**Figure 3. Typical Configuration (Connection)**

# MT9V131

## PIN ASSIGNMENT

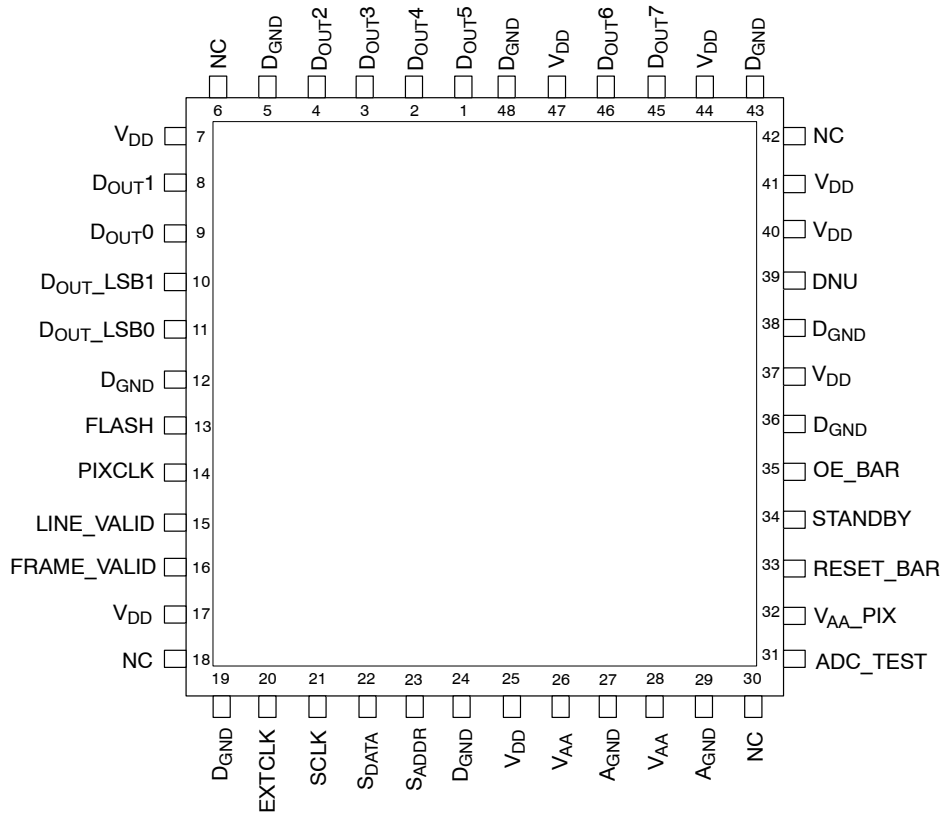


Figure 4. 48-Pin CLCC Pinout Diagram

Table 3. PIN DESCRIPTION FOR THE CLCC PACKAGE

Pin Number	Pin Name	Type	Description
20	EXTCLK	Input	Master clock into sensor. Default is 12 MHz (27 MHz maximum)
21	SCLK	Input	Serial clock
23	SADDR	Input	Serial interface address select: R0xB8 when HIGH (default). R0x90 when LOW
31	ADC_TEST	Input	Tie to Vaa_PIX (factory use only)
33	RESET_BAR	Input	Asynchronous reset of sensor when LOW. All registers assume factory defaults
34	STANDBY	Input	When HIGH, puts the imager in ultra-low power standby mode.
35	OE_BAR	Input	Output_Enable pin. When HIGH, tri-state all outputs except SDATA (tie LOW for normal operation)
39	DNU	Input	Tie to digital ground
22	SDATA	I/O	Serial data I/O
13	FLASH	Output	Flash strobe
14	PIXCLK	Output	Pixel clock out. Pixel data output are valid during rising edge of this clock. IFP R0x08 [9] inverts polarity Frequency = Master clock
15	LINE_VALID	Output	Active HIGH during line of selectable valid pixel data
16	FRAME_VALID	Output	Active HIGH during frame of valid pixel data
45	DOUT7	Output	ITU_R BT.656/RGB data bit 7 (MSB)
46	DOUT6	Output	ITU_R BT.656/RGB data bit 6
1	DOUT5	Output	ITU_R BT.656/RGB data bit 5

**Table 3. PIN DESCRIPTION FOR THE CLCC PACKAGE** (continued)

Pin Number	Pin Name	Type	Description
2	DOUT4	Output	ITU_R BT.656/RGB data bit 4
3	DOUT3	Output	ITU_R BT.656/RGB data bit 3
4	DOUT2	Output	ITU_R BT.656/RGB data bit 2
8	DOUT1	Output	ITU_R BT.656/RGB data bit 1
9	DOUT0	Output	ITU_R BT.656/RGB data bit 0 (LSB)
10	DOUT_LSB1	Output	Raw Bayer 10-bit output
11	DOUT_LSB0	Output	Raw Bayer 10-bit output (LSB)
7, 17, 25, 37, 40, 41, 44, 47	VDD	Supply	Digital power (2.8 V)
26, 28	VAA	Supply	Analog power (2.8 V)
32	VAA_PIX	Supply	Pixel array power (2.8 V)
27, 29	AGND	Supply	Analog ground
5, 12, 19, 24, 36, 38, 43, 48	DGND	Supply	Digital ground
6, 18, 30, 42	NC	-	No connect

## IMAGE FLOW PROCESSOR

### Overview of Architecture

The IFP consists of a color processing pipeline and a measurement and control logic block, as shown in Figure 5. The stream of raw data from the sensor enters the pipeline and undergoes a number of transformations. Image stream processing starts from conditioning the black level and applying a digital gain. The lens shading block compensates for signal loss caused by the lens. Next, the data is interpolated to recover missing color components for each pixel and defective pixels are corrected. The resulting interpolated RGB data passes through the current color correction matrix (CCM), gamma, and saturation corrections and is formatted for final output.

The measurement and control logic continuously accumulates statistics about image brightness and color. Indoor 50/60 Hz flicker is detected and automatically updated when possible. Based on these measurements, the IFP calculates updated values for exposure time and sensor analog gains, which are sent to the sensor core through the communication bus.

Color correction is achieved through a linear transformation of the image with a  $3 \times 3$  color correction

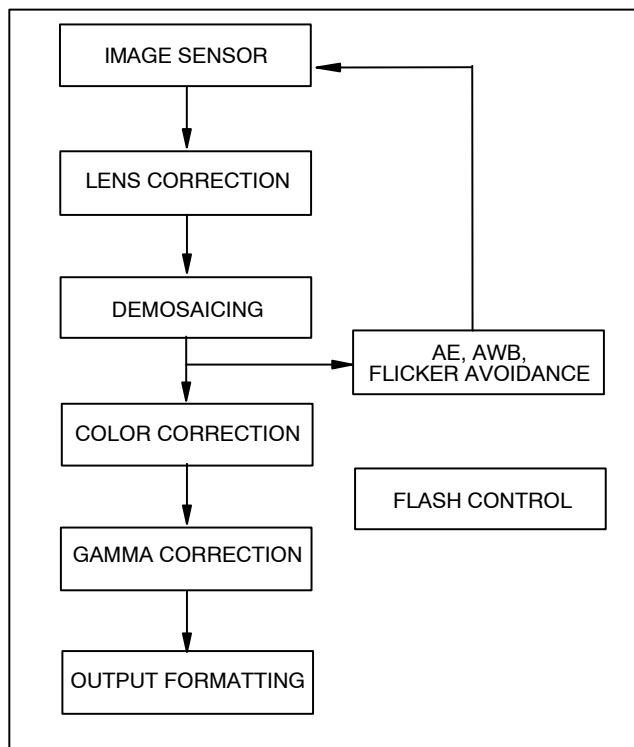
matrix. Color saturation can be adjusted in the range from zero (black and white) to 1.25 (125% of full color saturation).

Gamma correction compensates for nonlinear dependence of the display device output versus driving signal (monitor brightness versus CRT voltage).

### Output and Formatting

Processed video can be output in the form of a progressive ITU\_R BT.656 or RGB stream. The ITU\_R BT.656 (default) stream contains 4:2:2 data with optional embedded synchronization codes. This kind of output is typically suitable for subsequent display by standard video equipment. For JPEG/MPEG compression, YUV/encoding is suitable. RGB functionality is provided to support LCD devices. The MT9V131 can be configured to output 16-bit RGB (565RGB) and 15-bit RGB (555RGB), as well as two types of 12-bit RGB (444RGB). The user can configure internal registers to swap odd and even bytes, chrominance channels, and luminance and chrominance components to facilitate interfacing to application processors.

## MT9V131



**Figure 5. Image Flow Processor Block Diagram**

The MT9V131 features smooth, continuous zoom and pan. This functionality is available when the IFP output is downsized in the decimation block. The decimation block can downsize the original VGA image to any integer size, including QVGA, QQVGA, CIF, and QCIF with no loss to the field of view. The user can program the desired size of the output image in terms of horizontal and vertical pixel count. In addition, the user can program the size of a region for downsizing. Continuous zoom is achieved every time the region of interest is less than the entire VGA image. The maximum zoom factor is equal to the ratio of VGA to the size of the region of interest. For example, an image rendered on a  $160 \times 120$  display can be zoomed by  $640/160 = 480/120 = 4$  times. Continuous pan is achieved by adjusting the starting coordinates of the region of interest.

Also, a fixed 2X up-zoom is implemented by means of windowing down the sensor core. In this mode, the IFP receives a QVGA-sized input data and outputs a VGA-size image. The sub-window can be panned both vertically and horizontally by programming sensor core registers.

The MT9V131 supports both LED and xenon-type flash light sources using a dedicated output pad. For xenon devices, the signal generates a strobe to fire when the imager's shutter is fully open. For LED, the signal can be asserted or de-asserted asynchronously. Flash modes are configured and engaged over the two-wire serial interface using IFP R0x98.

## MT9V131

### OUTPUT DATA ORDERING

In YCbCr the first and second bytes can be swapped. Luma/chroma bytes can be swapped as well. R and B channels are bit-wise swapped when chroma swap is

enabled. See IFP R0x3A for channel swapping configuration.

**Table 4. YUV/YCbCr OUTPUT DATA ORDERING**

Mode	1st Byte	2nd Byte	3rd Byte	4th Byte
Default (no Swap)	$Cb_i$	$Y_i$	$Cr_i$	$Y_{i+1}$
Swapped CrCb	$Cr_i$	$Y_i$	$Cb_i$	$Y_{i+1}$
Swapped YC	$Y_i$	$Cb_i$	$Y_{i+1}$	$Cr_i$
Swapped CrCb, YC	$Y_i$	$Cr_i$	$Y_{i+1}$	$Cb_i$

**Table 5. RGB OUTPUT DATA ORDERING IN DEFAULT MODE**

Mode (Swap Disabled)	Byte	D7	D6	D5	D4	D3	D2	D1	D0
565RGB	First	R7	R6	R5	R4	R3	G7	G6	G5
	Second	G4	G3	G2	B7	B6	B5	B4	B3
555RGB	First	0	R7	R6	R5	R4	R3	G7	G6
	Second	G4	G3	G2	B7	B6	B5	B4	B3
444×RGB	First	R7	R6	R5	R4	G7	G6	G5	G4
	Second	B7	B6	B5	B4	0	0	0	0
×444RGB	First	0	0	0	0	R7	R6	R5	R4
	Second	G7	G6	G5	G4	B7	B6	B5	B4

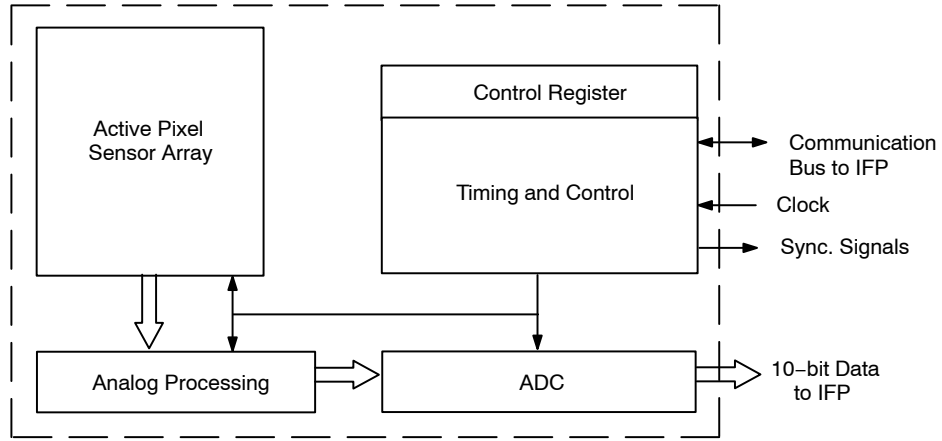
A bypass mode is available whereby raw Bayer 10-bits data is output as two bytes. See IFP R0×08[7].

**Table 6. BYTE ORDERING IN 8 + 2 BYPASS MODE**

Byte Ordering									
8 + 2 Bypass	First	D9	D8	D7	D6	D5	D4	D3	D2
	Second	0	0	0	0	0	0	D1	D0

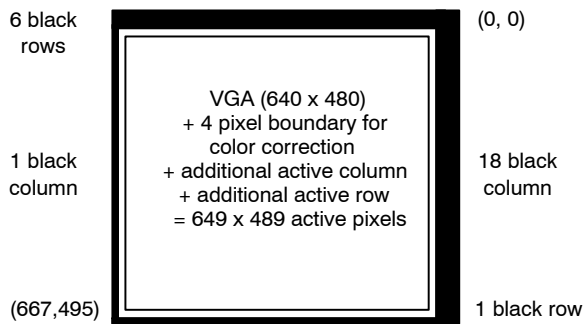
**SENSOR CORE OVERVIEW**

The sensor consists of a pixel array of  $668 \times 496$  total, analog readout chain, 10-bit ADC with programmable gain and black offset, and timing and control.



**Figure 6. Sensor Core Block Diagram**

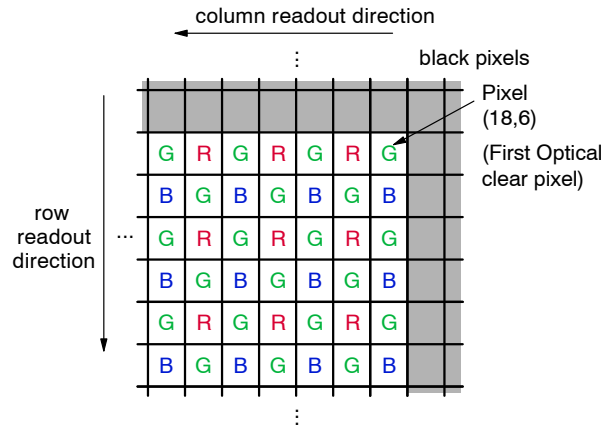
The sensor core’s pixel array is configured as 668 columns by 496 rows (shown in Figure 7). The first 18 columns and the first 6 rows of pixels are optically black and can be used to monitor the black level. The last column and the last row of pixels are also optically black. The black row data is used internally for the automatic black level adjustment. There are 649 columns by 489 rows of optically active pixels, which provides a four-pixel boundary around the VGA ( $640 \times 480$ ) image to avoid boundary affects during color interpolation and correction. The additional active column and additional active row are used to allow horizontally and vertically mirrored readout to also start on the same color pixel, as shown in Figure 7.



**Figure 7. Pixel Array Description**

The sensor core uses the RGB Bayer color pattern (shown in Figure 8). Even-numbered rows contain green and red color pixels, and odd-numbered rows contain blue and green

color pixels. Even-numbered columns contain green and blue color pixels; odd- numbered columns contain red and green color pixels.



**Figure 8. Pixel Color Pattern Detail (Top Right Corner)**

The sensor core image data is read-out in a progressive scan. Valid image data is surrounded by horizontal and vertical blanking, as shown in Figure 9. The amount of horizontal and vertical blanking is programmable through the sensor core registers R0x05 and R0x06, respectively. LINE\_VALID is HIGH during the shaded region of the figure. See “Appendix A – Sensor Timing” for the description of FRAME\_VALID timing.



# MT9V131

$P_{0,0}$ $P_{0,1}$ $P_{0,2}$ ..... $P_{0,n-1}$ $P_{0,n}$ $P_{1,0}$ $P_{1,1}$ $P_{1,2}$ ..... $P_{1,n-1}$ $P_{1,n}$	00 00 00 ..... 00 00 00 00 00 00 ..... 00 00 00
VALID IMAGE	HORIZONTAL BLANKING
$P_{m-1,0}$ $P_{m-1,1}$ ..... $P_{m-1,n-1}$ $P_{m-1,n}$ $P_{m,0}$ $P_{m,1}$ ..... $P_{m,n-1}$ $P_{m,n}$	00 00 00 ..... 00 00 00 00 00 00 ..... 00 00 00
VERTICAL BLANKING	VERTICAL/HORIZONTAL BLANKING
00 00 00 ..... 00 00 00 00 00 00 ..... 00 00 00	00 00 00 ..... 00 00 00 00 00 00 ..... 00 00 00

- NOTES: 1. Do not change these registers. Contact ON Semiconductor support for settings different from defaults.  
 2. IFP controls these registers when AE, AWB, or flicker avoidance are enabled.

**Figure 9. Spatial Illustration of Image Readout**

## ELECTRICAL SPECIFICATIONS

The recommended operating temperature ranges from  $-20^{\circ}\text{C}$  to  $+70^{\circ}\text{C}$ . The sensor image quality may degrade above  $+40^{\circ}\text{C}$ .

**Table 7. DC ELECTRICAL CHARACTERISTICS** ( $V_{DD} = V_{AA} = 2.8 \pm 0.25 \text{ V}$ ;  $T_A = 25^{\circ}\text{C}$ )

Definition	Symbol	Condition	Min	Typ	Max	Unit
Input High Voltage	$V_{IH}$		$V_{DD} - 0.25$		$V_{DD} + 0.25$	V
Input Low Voltage	$V_{IL}$		-0.3		0.8	V
Input Leakage Current	$I_{IN}$	No pull-up resistor; $V_{IN} = V_{DD}$ or DGND	-5.0		5.0	$\mu\text{A}$
Output High Voltage	$V_{OH}$		$V_{DD} - 0.2$			V
Output Low Voltage	$V_{OL}$				0.2	V
Output High Current	$I_{OH}$				15.0	mA
Output Low Current	$I_{OL}$				20.0	mA
Tri-state Output Leakage Current	$I_{OZ}$				5.0	$\mu\text{A}$
Analog Operating Supply Current	$I_{AA}$	Default settings, $C_{LOAD} = 10\text{pF}$ CLKIN = 12 MHz CLKIN = 27 MHz	10.0 10.0	20.0 20.0	25.0 25.0	mA
Digital Operating Supply Current	$I_{DD}$	Default settings, $C_{LOAD} = 10\text{pF}$ CLKIN = 12 MHz CLKIN = 27 MHz	5.0 10.0	8.0 15.0	20.0 20.0	mA
Analog Standby Supply Current	$I_{AA}$ Standby	STDBY = $V_{DD}$	0.0	2.5	5.0	$\mu\text{A}$
Digital Standby Supply Current	$I_{DD}$ Standby	STDBY = $V_{DD}$	0.0	2.5	5.0	$\mu\text{A}$

- To place the chip in standby mode, first raise STANDBY to  $V_{DD}$ , then wait two master clock cycles before turning off the master clock. Two master clock cycles are required to place the analog circuitry into standby, low-power mode.
- To place the chip in standby mode, first raise STANDBY to  $V_{DD}$ , then wait two master clock cycles before turning off the master clock. Two master clock cycles are required to place the analog circuitry into standby, low-power mode.

# MT9V131

**Table 8. AC ELECTRICAL CHARACTERISTICS** ( $V_{DD} = V_{AA} = 2.8 \pm 0.25 \text{ V}$ ;  $T_A = 25^\circ\text{C}$ )

Definition		Symbol	Condition	Min	Typ	Max	Unit
Input Clock Frequency		$f_{\text{CLKIN}}$		10	12	27	MHz
Clock Duty Cycle (Note 1)			50:50	45	50	55	%
Input Clock Rise Time		$t_R$		1	2	5	ns
Input Clock Fall Time		$t_F$		1	2	5	ns
CLKIN to PIXCLK Propagation Delay (Note 3)	LOW-to-HIGH	$t_{\text{PLH}_P}$	$C_{\text{LOAD}} = 10 \text{ pF}$	6	12	14	ns
	HIGH-to-LOW	$t_{\text{PHL}_P}$		6	10	14	ns
PIXCLK to DOUT[7:0] at 27 MHz (Note 2)	Setup Time	$t_{\text{DSETUP}}$	$C_{\text{LOAD}} = 10 \text{ pF}$	11	18	–	ns
	Hold Time	$t_{\text{DHOLD}}$		11	18	–	ns
PIXCLK to FRAME_VALID and LINE_VALID Propagation Delay	LOW-to-HIGH	$t_{\text{PLH}_{\text{FL}}}$	$C_{\text{LOAD}} = 10 \text{ pF}$	4	9.0	13	ns
	HIGH-to-LOW	$t_{\text{PHL}_{\text{FL}}}$		4	7.5	13	ns
Output Rise Time		$t_{\text{OUT}_R}$	$C_{\text{LOAD}} = 10 \text{ pF}$	5	7.0	15	ns
Output Fall Time		$t_{\text{OUT}_F}$	$C_{\text{LOAD}} = 10 \text{ pF}$	5	9.0	15	ns

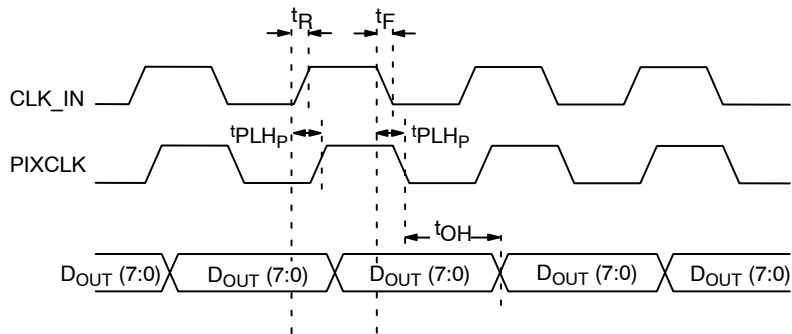
- For 30 fps operation with a 27 MHz clock, the user must have a precise duty cycle equal to 50%. With a slower frame rate and a slower clock, the clock duty cycle can be relaxed.
- Typical is 1/2 of CLKIN period.
- PIXCLK can be programmed to be inverted or non-inverted.

## PROPAGATION DELAYS

### Propagation Delays for PIXCLK and Data Out Signals

The output PIXCLK delay, relative to the master clock (CLKIN), is typically 10–12 ns. Note that the data outputs change on the rising edge of the master clock (CLKIN) as

shown in in Figure 10. PIXCLK by default is inverted from CLKIN but can be programmed to be non-inverted.



NOTE: Default condition of the IPA register R0x08[9] = 0.

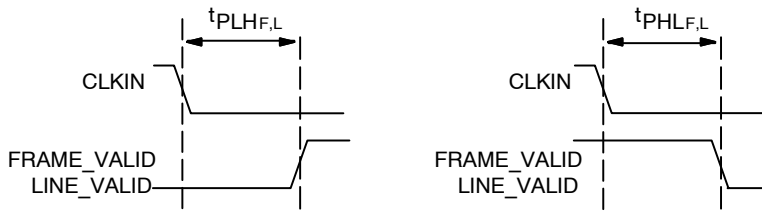
**Figure 10. Propagation Delays for PIXCLK and Data Out Signals**

### Propagation Delays for FRAME\_VALID and LINE\_VALID Signals

The LINE\_VALID and FRAME\_VALID signals change on the same clock edge as the data output. The LINE\_VALID goes HIGH on the same falling master clock

edge as the output of the first valid pixel's data and returns LOW on the same master clock falling edge as the end of the output of the last valid pixel's data. The default timing of PIXCLK with respect to LINE\_VALID and FRAME\_VALID is shown in Figure 11.

# MT9V131

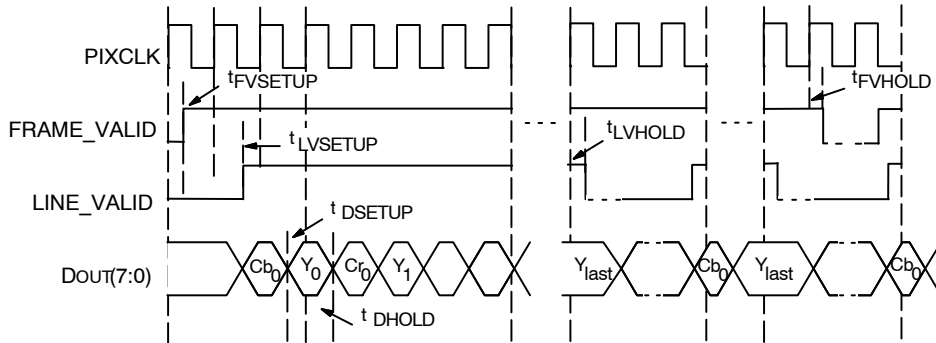


**Figure 11. Propagation Delays for FRAME\_VALID and LINE\_VALID Signals**

## Output Data Timing

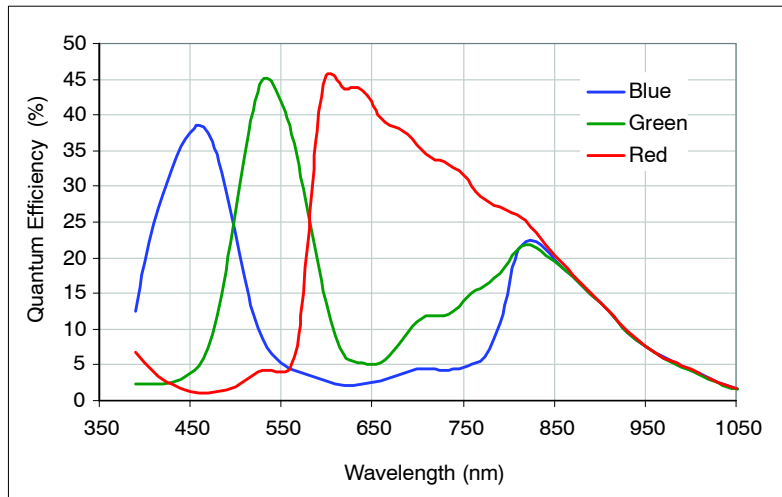
As shown in Figure 12, FRAME\_VALID goes HIGH 6 pixel clocks prior to the time that the first LINE\_VALID

goes HIGH. It returns LOW at a time corresponding to 6 pixel clocks after the last LINE\_VALID goes LOW.



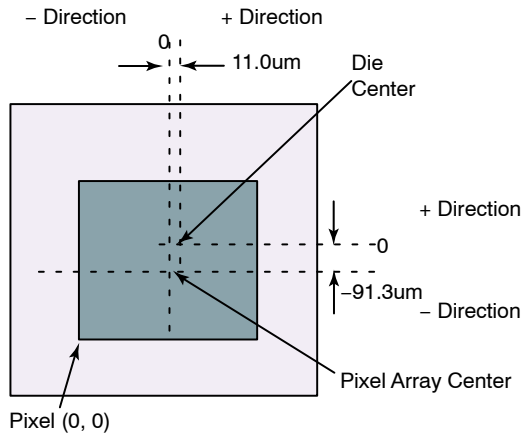
- NOTES:
1. PIXCLK = 27 MHz (MAX)
  2.  $t_{FVSETUP}$  = / setup time for FRAME\_VALID before falling edge of PIXCLK / = 18 ns
  3.  $t_{FVHOLD}$  = / hold time for FRAME\_VALID after falling edge of PIXCLK / = 18 ns
  4.  $t_{LVSETUP}$  = / setup time for LINE\_VALID before falling edge of PIXCLK / = 18 ns
  5.  $t_{LVHOLD}$  = / hold time for LINE\_VALID after falling edge of PIXCLK / = 18 ns
  6.  $t_{DSETUP}$  = / setup time for DOUT before falling edge of PIXCLK / = 18 ns
  7.  $t_{DHOLD}$  = / hold time for DOUT after falling edge of PIXCLK / = 18 ns
    - Frame start: FF00 00A0
    - Line start: FF00 0080
    - Line end: FF00 0090
    - Frame end: FF00 00B0
  8. Drawing shown has R0x08[9] = 1

**Figure 12. Data Output Timing Diagram**



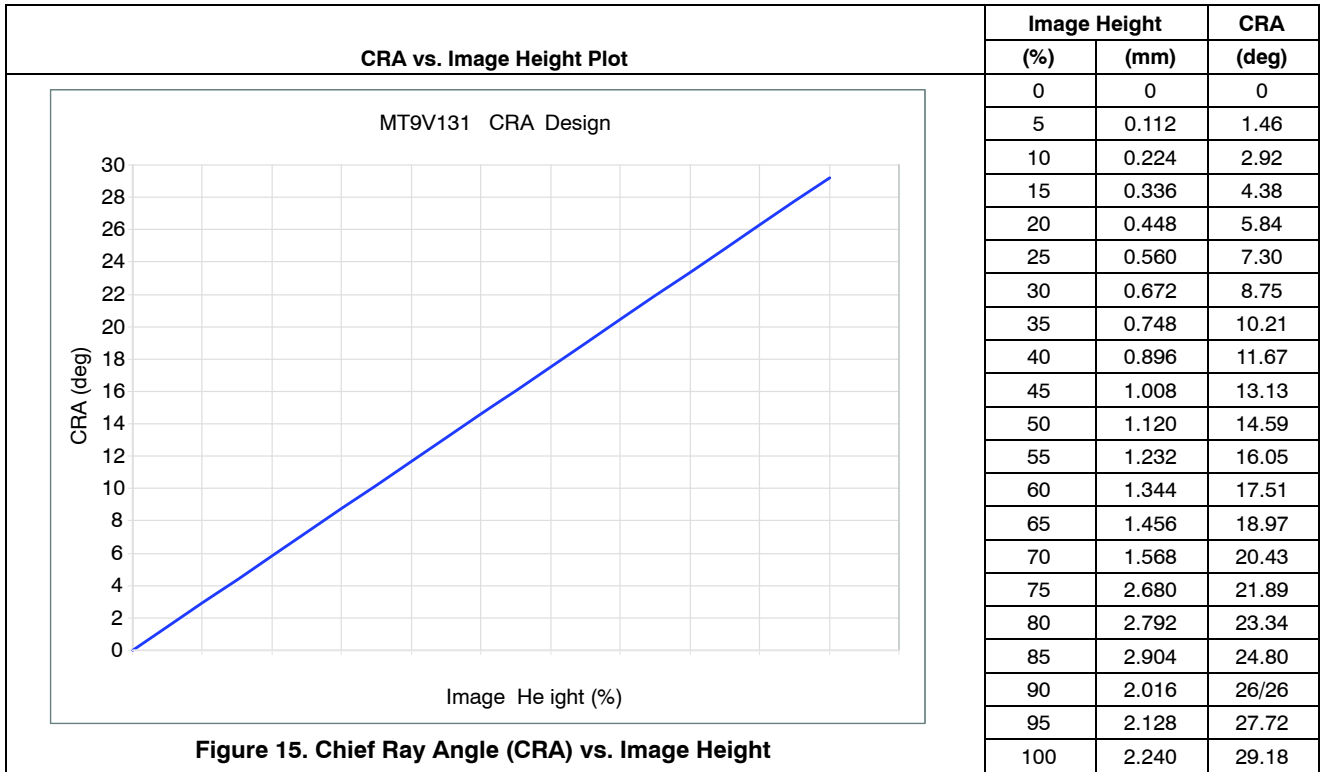
**Figure 13. Typical Spectral Characteristics**

# MT9V131



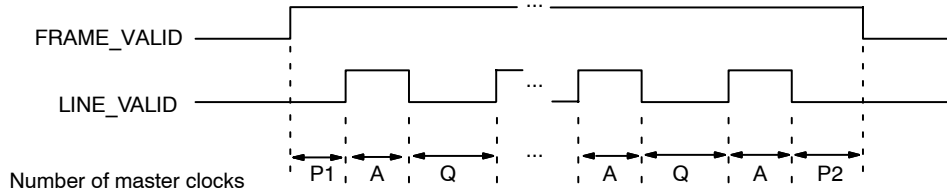
NOTE: Not to scale.

**Figure 14. Die Center – Image Center Offset**



**Figure 15. Chief Ray Angle (CRA) vs. Image Height**

APPENDIX A – SENSOR TIMING



NOTE: The signals in Figure 16 are defined in Table 9.

Figure 16. Row Timing and FRAME\_VALID/LINE\_VALID Signals

Table 9. FRAME TIME

Parameter	Name	Equation (Master Clocks)	Default Timing At 12 MHz
A	Active Data Time	$(R0x04 - 7) \times 2$	= 1,280 pixel clocks = 1,280 master clocks = 106.7 $\mu$ s
P1	Frame Start Blanking	$(R0x05 + 112) \times 2$	= 300 pixel clocks = 300 master clocks = 25.0 $\mu$ s
P2	Frame End Blanking	14 CLKS	= 14 pixel clocks = 14 master clocks = 1.17 $\mu$ s
Q	Horizontal Blanking	$(R0x05 + 121) \times 2$ (MIN R0x05 value = 9)	= 318 pixel clocks = 318 master clocks = 26.5 $\mu$ s
A + Q	Row Time	$(R0x04 + R0x05 + 114) \times 2$	= 1,598 pixel clocks = 1,598 master clocks = 133.2 $\mu$ s
V	Vertical Blanking	$(R0x06 + 9) \times (A + Q) + (Q - P1 - P2)$	= 20,778 pixel clocks = 20,778 master clocks = 1.73 ms
Nrows $\times$ (A + Q)	Frame Valid Time	$(R0x03 - 7) \times (A + Q) - (Q - P1 - P2)$	= 767,036 pixel clocks = 767,036 master clocks = 63.92 ms
F	Total Frame Time	$(R0x03 + R0x06 + 2) \times (A + Q)$	= 787,814 pixel clocks = 787,814 master clocks = 65.65 ms

1. In order to avoid flicker, frame time is 65.65 ms.

Sensor timing is shown above in terms of master clock cycle. The vertical blanking and total frame time equations assume that the number of integration rows (bits 11 through 0 of R0x09) is less than the number of active row plus

blanking rows ( $R0x03 + 1 + R0x06 + 1$ ). If this is not the case, the number of integration rows must be used instead to determine the frame time, as shown in Table 10.

Table 10. FRAME TIME – LARGER THAN ONE FRAME

Parameter	Name	Equation (Master Clocks)	Default Timing
V'	Vertical Blanking (Long Integration Time)	$(R0x09 - R0x03) \times (A + Q)$	–
F'	Total Frame Time (Long Integration Time)	$(R0x09 + 1) \times (A + Q)$	–

## SERIAL BUS DESCRIPTION

Registers are written to and read from the MT9V131 through the two-wire serial interface bus. The sensor is a serial interface slave and is controlled by the serial clock (SCLK), which is driven by the serial interface master. Data is transferred into and out of the MT9V131 through the serial data (SDATA) line. The SDATA line is pulled up to 2.8 V off-chip by a 1.5 K $\Omega$  resistor. Either the slave or master device can pull the SDATA line down—the serial interface protocol determines which device is allowed to pull the SDATA line down at any given time. The registers are 16 bits wide and can be accessed through 16-bit or 8-bit two-wire serial bus sequences.

### Protocol

The two-wire serial interface defines several different transmission codes, as follows:

- a start bit
- the slave device eight-bit address. SADDR is used to select between two different addresses in case of conflict with another device. If SADDR is LOW, the slave address is 0x90; if SADDR is HIGH, the slave address is 0xB8.
- an acknowledge or a no-acknowledge bit
- an 8-bit message
- a stop bit

### Sequence

A typical read or write sequence begins by the master sending a start bit. After the start bit, the master sends the slave device's 8-bit address. The last bit of the address determines if the request will be a read or a write, where a "0" indicates a write and a "1" indicates a read. The slave device acknowledges its address by sending an acknowledge bit back to the master.

If the request was a write, the master then transfers the 8-bit register address to which a write should take place. The slave sends an acknowledge bit to indicate that the register address has been received. The master then transfers the data 8 bits at a time, with the slave sending an acknowledge bit after each 8 bits. The MT9V131 uses 16-bit data for its internal registers, thus requiring two 8-bit transfers to write to one register. After 16 bits are transferred, the register address is automatically incremented, so that the next 16 bits are written to the next register address. The master stops writing by sending a start or stop bit.

A typical read sequence is executed as follows. First the master sends the write-mode slave address and 8-bit register address, just as in the write request. The master then sends a start bit and the read-mode slave address. The master then

clocks out the register data 8 bits at a time. The master sends an acknowledge bit after each 8-bit transfer. The register address is auto-incremented after every 16 bits is transferred. The data transfer is stopped when the master sends a no-acknowledge bit.

The MT9V131 allows for 8-bit data transfers through the two-wire serial interface by writing (or reading) the most significant 8 bits to the register and then writing (or reading) the least significant 8 bits to R0x7F (127).

### Bus Idle State

The bus is idle when both the data and clock lines are HIGH. Control of the bus is initiated with a start bit, and the bus is released with a stop bit. Only the master can generate the start and stop bits.

### Start Bit

The start bit is defined as a HIGH-to-LOW transition of the data line while the clock line is HIGH.

### Stop Bit

The stop bit is defined as a LOW-to-HIGH transition of the data line while the clock line is HIGH.

### Slave Address

The 8-bit address of a two-wire serial interface device consists of 7 bits of address and 1 bit of direction. A "0" in the least significant bit (LSB) of the address indicates write mode, and a "1" indicates read mode. The write address of the sensor is 0xB8, while the read address is 0xB9; this only applies when SADDR is set HIGH.

### Data Bit Transfer

One data bit is transferred during each clock pulse. The serial interface clock pulse is provided by the master. The data must be stable during the HIGH period of the serial clock - it can only change when the two-wire serial interface clock is LOW. Data is transferred 8 bits at a time, followed by an acknowledge bit.

### Acknowledge Bit

The master generates the acknowledge clock pulse. The transmitter (which is the master when writing, or the slave when reading) releases the data line, and the receiver indicates an acknowledge bit by pulling the data line LOW during the acknowledge clock pulse.

### No-Acknowledge Bit

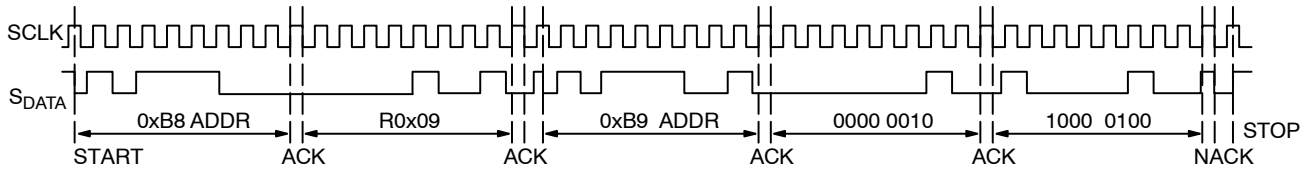
The no-acknowledge bit is generated when the data line is not pulled down by the receiver during the acknowledge clock pulse. A no-acknowledge bit is used to terminate a read sequence.

**TWO-WIRE SERIAL INTERFACE SAMPLE WRITE AND READ SEQUENCES (WITH SADDR = 1)**

**16-Bit Write Sequence**

A typical write sequence for writing 16 bits to a register is shown in Figure 17. A start bit given by the master, followed by the write address, starts the sequence. The image sensor will then give an acknowledge bit and expects the register address to come first, followed by the 16-bit data. After each 8-bits, the image sensor will give an

acknowledge bit. All 16 bits must be written before the register will be updated. After 16 bits are transferred, the register address is automatically incremented, so that the next 16 bits are written to the next register. The master stops writing by sending a start or stop bit.

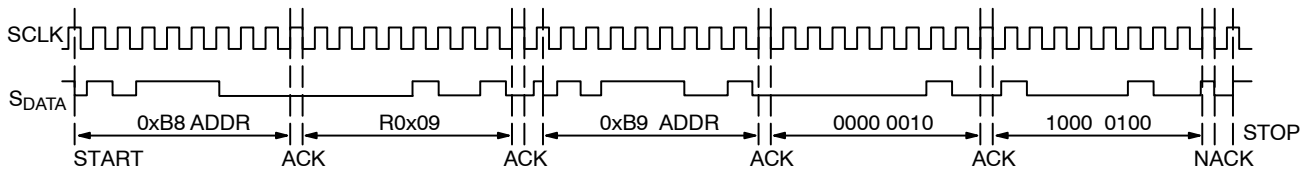


**Figure 17. Timing Diagram Showing a Write to R0x09 with Value 0x0284**

**16-Bit Read Sequence**

A typical read sequence is shown in Figure 18. First the master has to write the register address, as in a write sequence. Then a start bit and the read address specifies that a read is about to happen from the register. The master then

clocks out the register data 8 bits at a time. The master sends an acknowledge bit after each 8-bit transfer. The register address is auto-incremented after every 16 bits is transferred. The data transfer is stopped when the master sends a no-acknowledge bit.



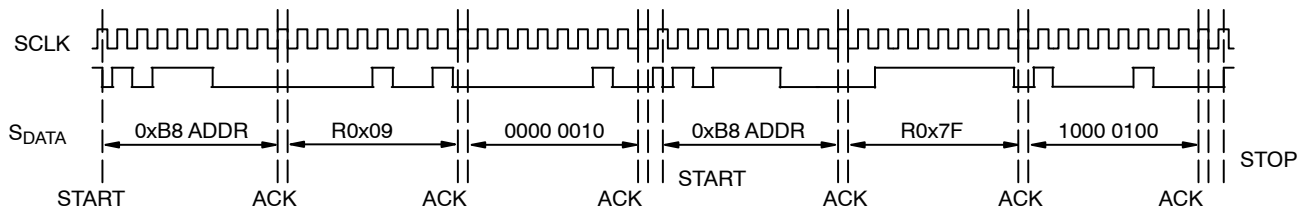
**Figure 18. Timing Diagram Showing a Read from R0x09; Returned Value 0x0284**

**8-Bit Write Sequence**

All registers in the camera are treated and accessed as 16-bit, even when some registers do not have all 16-bits used. However, certain hosts only support 8-bit serial communication access. The camera provides a special accommodation for these hosts.

first writing the upper 8 bits to the desired register and then writing the lower 8 bits to the special register address (R0x7F). The register is not updated until all 16 bits have been written. It is not possible to just update half of a register. In Figure 19, a typical sequence for 8-bit writing is shown. The second byte is written to the special register (R0x7F).

To be able to write one byte at a time to the register a special register address is added. The 8-bit write is done by



**Figure 19. Timing Diagram Showing a Byte-wise Write to R0x09 with Value 0x0284**

**8-Bit Read Sequence**

To read 1 byte at a time, the same special register address is used for the lower byte. The upper 8 bits are read from the desired register. By following this with a read from the

special register (R0x7F) the lower 8 bits are accessed, as shown in Figure 20 The master sets the no-acknowledge bits.

# MT9V131

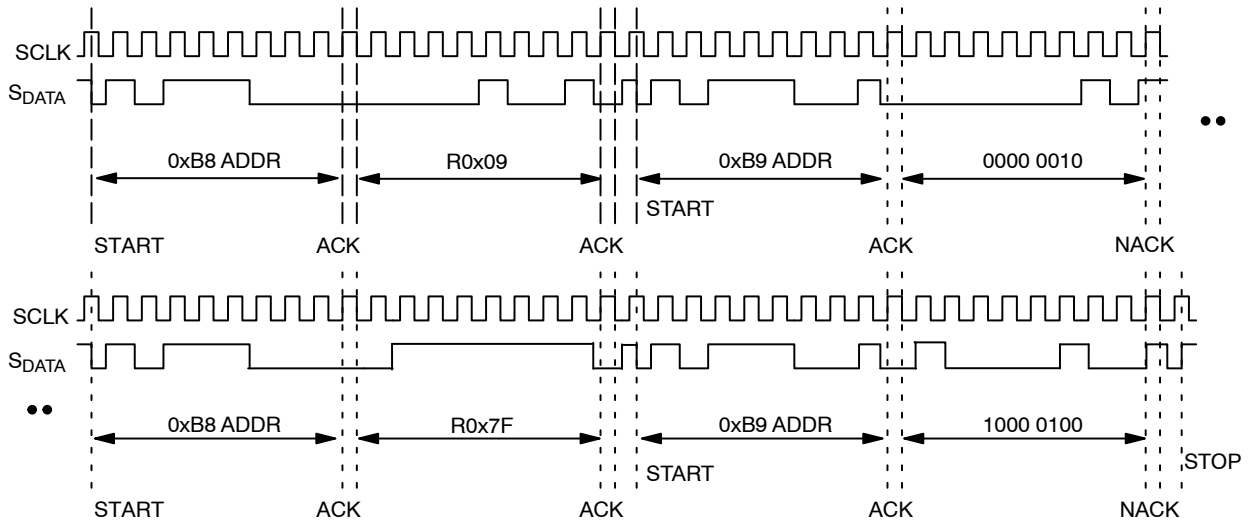


Figure 20. Timing Diagram Showing a Bytewise Read from R0x09; Returned Value 0x0284

## Two-Wire Serial Bus Timing

The two-wire serial interface operation requires a certain minimum of master clock cycles between transitions. These are specified below in master clock cycles.

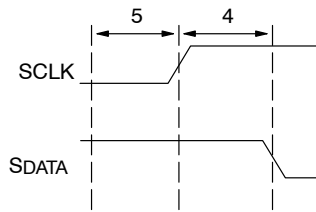
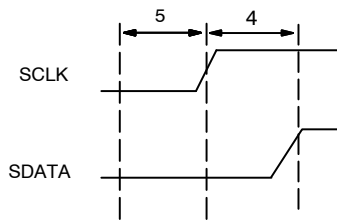


Figure 21. Serial Host Interface Start Condition Timing

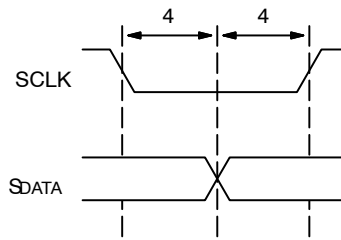


NOTE: All timing are in units of master clock cycle.

Figure 22. Serial Host Interface Stop Condition Timing

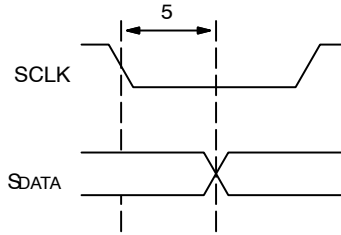


# MT9V131



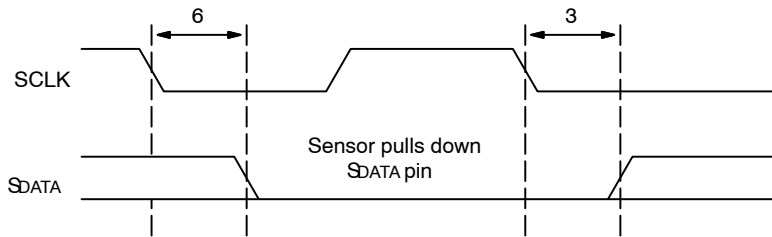
NOTE: SDATA is driven by an off-chip transmitter.

**Figure 23. Serial Host Interface Data Timing for WRITE**

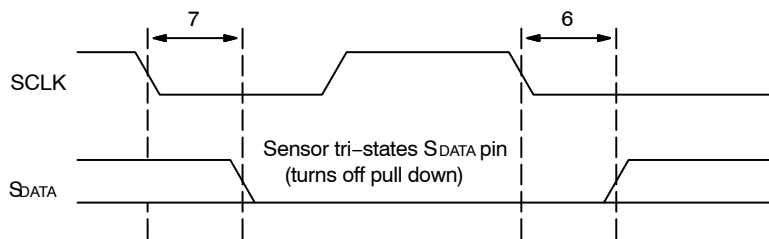


NOTE: SDATA is pulled LOW by the sensor, or allowed to be pulled HIGH by a pull-up resistor off-chip.

**Figure 24. Serial Host Interface Data Timing for READ**



**Figure 25. Acknowledge Signal Timing After an 8-Bit WRITE to the Sensor**



NOTE: After a READ, the master receiver must pull down SDATA to acknowledge receipt of data bits. When read sequence is complete, the master must generate a "No Acknowledge" by leaving SDATA to float HIGH. On the following cycle, a start or stop bit may be used.

**Figure 26. Acknowledge Signal Timing After an 8-Bit READ from the Sensor**

**APPENDIX B – OVERVIEW OF PROGRAMMING**

**Default Sensor Configuration**

In its default configuration, the sensor outputs up to 15 fps at 12 MHz master clock frequency. Auto exposure, automatic white balance, 60 Hz flicker avoidance, defect correction, and automatic noise suppression in low-light conditions are enabled. The frame rate is controlled by AE

and can be slowed down to 5 fps in low light. Lens shading correction is disabled. Gamma correction uses gamma = 0.6. Image data are output in progressive YCbCr ITU\_R.BT.656 VGA format, with Y, Cb, and Cr values ranging from 16 to 240.

**Table 11. NON-DEFAULT REGISTER SETTINGS OPTIMIZING 15 FPS AT 12 MHZ OPERATION**

Core:	R0x5 = 0x2E, R0x7[4] = 0, R0x21 = 0xE401, R0x2F = 0xF7B6
IFP:	R0x33 = 0x1411, R0x38 = 0x878, R0x39 = 0x122, R0x3B = 0x42C, R0x3E = 0xFFF, R0x40 = 0x0E10, R0x41 = 0x1417, R0x42 = 0x1213, R0x43 = 0x1112, R0x44 = 0x7110, R0x45 = 0x7473

1. Non-default register settings required for an optimal 30 fps, 27 MHz operation are shown in Table 12.

**Table 12. NON-DEFAULT REGISTER SETTINGS OPTIMIZING 30 FPS AT 27 MHZ OPERATION**

Core:	R0x05 = 0x84, R0x06 = 0xA, R0x07[4] = 0, R0x21 = 0xE401
IFP:	R0x33 = 0x1411, R0x39 = 0x122, R0x3B = 0x42C, R0x3E = 0xFFF, R0x59 = 0x1F8, R0x5A = 0x25D, R0x 5C = 0x201E, R0x5D = 0x2725, R0x64 = 0x117D

1. To obtain register settings for other frame rates and clock speeds, contact a ON Semiconductor FAE.

**Auto Exposure**

Target image brightness and accuracy of AE are set by IFP R0x2E[7:0] and R0x2E[15:8], respectively. For example, to overexpose images, set IFP R0x2E[7:0] = 0x78. To change image brightness on LCD in RGB preview mode, use IFP R0x34[15:8]. AE logic can be programmed to keep the

frame rate constant or vary it within certain range, by writing to IFP R0x37[9:5] one of the values tabulated in Table 13. Current and time-averaged luma values can be read in IFP R0x4C and R0x4D, respectively.

**Table 13. RELATION BETWEEN IFP R0X37[9:5] SETTING AND FRAME RATE RANGE**

Minimum Frame Rate	Maximum Frame Rate = 15 fps	Maximum Frame Rate = 30 fps
30 fps	N/A	4
15 fps	8	8
7.5 fps	16	16
5 fps	24	24

The speed of AE is set using IFP R0x2F. The speed should be higher for preview modes and lower for video output to avoid sudden changes in brightness between frames.

Auto exposure is disabled by setting IFP R0x06[14] = 0. When AE, AWB, and flicker avoidance are all disabled (IFP R0x06[14] = 0, IFP R0x06[1] = 0, and IFP R8[11] = 0), exposure and analog gains can be adjusted manually (see core registers R0x09, R0x0C, and R0x2B through R0x2E).

**Automatic White Balance**

AWB can be disabled by setting IFP R0x06[1] = 0. Use IFP R0x25[2:0] and R0x25[6:3] to speed up AWB response. Note that speeding AWB up may result in color oscillation. If necessary, AWB range can be restricted by changing the

upper limit in IFP R0x25[14:8] and lower limit in IFP R0x25[6:0].

**Flicker Avoidance**

Use IFP R0x5B to choose automatic/manual, 50 Hz/60 Hz flicker avoidance and IFP R0x08[11] = 0 to disable this feature.

**Flash**

For flash programming, see IFP R0x98 description.

**Decimation, Zoom, and Pan**

For output decimation programming, see IFP R0xA5 description. Table 14 provides some examples.

**Table 14. DECIMATION, ZOOM, AND PAN**

IFP Registers	CIF Output (Correct Aspect Ratio)	QVGA Output 2:1 Zoom	QVGA Output 1:1 Zoom
R0xA5	26	160	0
R0xA6	586	320	640
R0xA7	352	320	320
R0xA8	0	120	0
R0xA9	480	240	480
R0xAA	288	240	240

1. For fixed 2x upsize zoom, set core R0x1E[0] = 1.

**Interpolation**

Use IFP R0x05[2:0] to adjust image sharpness. By default, sharpness is automatically reduced in low-light conditions (see IFP R0x5[3]). For 565RGB 16-bit capture, set IFP R0x06[12] = 0 and IFP R0x05[3] = 0 to avoid contouring.

**Special Effects**

To switch from color to gray scale output, set IFP R0x08[5] = 1.

**Image Mirroring**

To mirror images horizontally, set core R0x20[14] = 1 and IFP R0x08[0] = 1. To flip images vertically, set core R0x20[15] = 1 and IFP R0x08[1] = 1.

**Test Pattern**

See IFP R0x48 and IFP R0x35[5:3] description.

**Gamma Correction**

See Table 15 and Table 16 for register settings required to setup non-default gamma correction. Note that these settings determine output signal range. Use YCbCr settings with ITU\_R BTU-compatible devices. Use YUV settings for JPEG capture and RGB preview; switching to YUV mode requires setting IFP R0x34 = 0 and IFP R0x35 = 0xFF01.

**Table 15. YCbCr SETTINGS**

Gamma	0.45	0.5	0.55	0.6 (Default)	0.7	1.0
IFP R0x53	0x3224	0x2A1D	0x2318	0x1E14	0x150D	0x804
IFP R0x54	0x5D44	0x543B	0x4C34	0x452D	0x3923	0x2010
IFP R0x55	0x987F	0x9277	0x8C70	0x8669	0x785D	0x6040
IFP R0x56	0xC0AE	0xBDA9	0xBAA4	0xB7A0	0xB097	0xA080
IFP R0x57	0xE0D0	0xE0CF	0xE0CD	0xE0CC	0xE0C9	0xE0C0

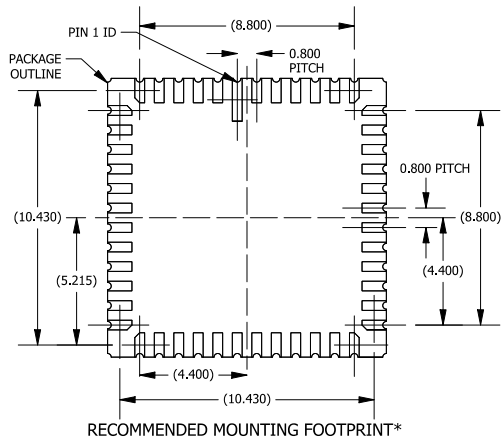
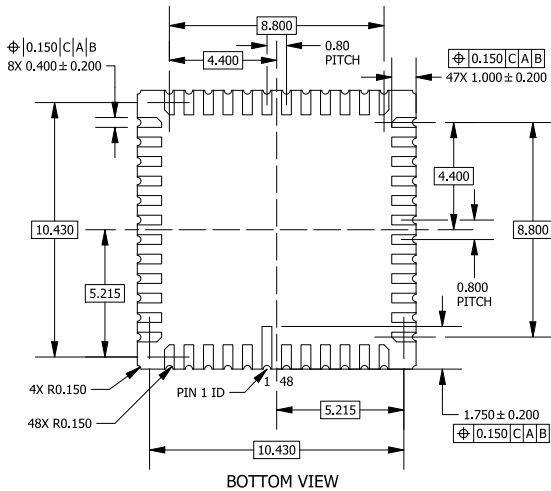
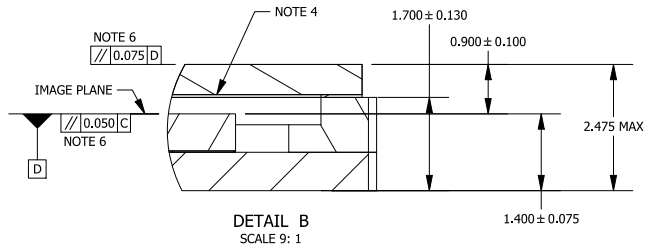
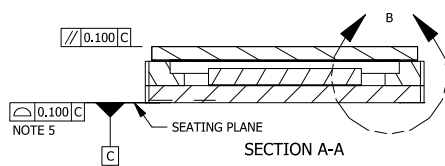
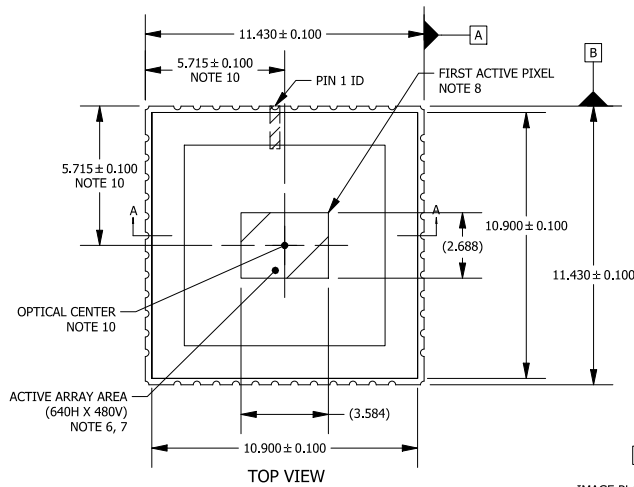
**Table 16. YUV SETTINGS**

Gamma	0.45	0.5	0.55	0.6	0.7	1.0
IFP R0x53	0x3829	0x3021	0x281B	0x2216	0x180F	0x0904
IFP R0x54	0x3021	0x6043	0x573B	0x4F34	0x4128	0x2412
IFP R0x55	0xAD90	0xA687	0x9F7F	0x9877	0x8C69	0x6C48
IFP R0x56	0xDAC5	0xD6C0	0xD3BA	0xCFB5	0xC8AB	0xB591
IFP R0x57	0xFECC	0xFEEB	0xFEE9	0xFEE7	0xFEE4	0xFED9



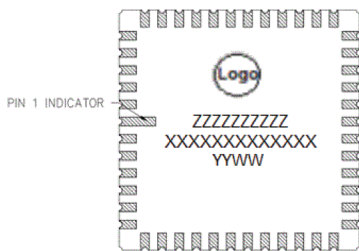
**CLCC48 11.43x11.43**  
**CASE 848AQ**  
**ISSUE A**

DATE 25 MAR 2020



\*FOR ADDITIONAL INFORMATION ON OUR Pb-FREE STRATEGY AND SOLDERING DETAILS, PLEASE DOWNLOAD THE ON SEMICONDUCTOR SOLDERING AND MOUNTING TECHNIQUES REFERENCE MANUAL, SOLDERRM/D.

**GENERIC MARKING DIAGRAM\***



ZZZ = Lot Traceability  
XXXX = Specific Device Code  
YY = Year  
WW = Work Week

\*This information is generic. Please refer to device data sheet for actual part marking. Pb-Free indicator, "G" or microdot "•", may or may not be present. Some products may not follow the Generic Marking.

NOTES:

1. DIMENSIONING AND TOLERANCING PER ASME Y14.5M, 1994.
2. CONTROLLING DIMENSION: MILLIMETERS [mm].
3. GLASS: 0.550 THICKNESS; REFRACTIVE INDEX = 1.52.
4. AIR GAP BETWEEN GLASS AND PIXEL ARRAY: 0.350 THICKNESS.
5. COPLANARITY APPLIES TO THE PLATED LAND PADS.
6. PARALLELISM APPLIES ONLY TO THE ACTIVE ARRAY.
7. MAXIMUM ROTATION OF ACTIVE ARRAY RELATIVE TO DATUMS A AND B IS ± 1°.
8. REFER TO THE DEVICE DATA SHEET FOR TOTAL PIXEL ARRAY DEFINITIONS.
9. PACKAGE CENTER (X, Y) = (0.000, 0.000).
10. OPTICAL CENTER RELATIVE TO PACKAGE CENTER (X, Y) = (0.000, 0.000).

<b>DOCUMENT NUMBER:</b>	<b>98AON94049F</b>	Electronic versions are uncontrolled except when accessed directly from the Document Repository. Printed versions are uncontrolled except when stamped "CONTROLLED COPY" in red.
<b>DESCRIPTION:</b>	<b>CLCC48 11.43x11.43</b>	<b>PAGE 1 OF 1</b>

ON Semiconductor and ON are trademarks of Semiconductor Components Industries, LLC dba ON Semiconductor or its subsidiaries in the United States and/or other countries. ON Semiconductor reserves the right to make changes without further notice to any products herein. ON Semiconductor makes no warranty, representation or guarantee regarding the suitability of its products for any particular purpose, nor does ON Semiconductor assume any liability arising out of the application or use of any product or circuit, and specifically disclaims any and all liability, including without limitation special, consequential or incidental damages. ON Semiconductor does not convey any license under its patent rights nor the rights of others.

**onsemi**, **Onsemi**, and other names, marks, and brands are registered and/or common law trademarks of Semiconductor Components Industries, LLC dba "**onsemi**" or its affiliates and/or subsidiaries in the United States and/or other countries. **onsemi** owns the rights to a number of patents, trademarks, copyrights, trade secrets, and other intellectual property. A listing of **onsemi**'s product/patent coverage may be accessed at [www.onsemi.com/site/pdf/Patent-Marking.pdf](http://www.onsemi.com/site/pdf/Patent-Marking.pdf). **onsemi** reserves the right to make changes at any time to any products or information herein, without notice. The information herein is provided "as-is" and **onsemi** makes no warranty, representation or guarantee regarding the accuracy of the information, product features, availability, functionality, or suitability of its products for any particular purpose, nor does **onsemi** assume any liability arising out of the application or use of any product or circuit, and specifically disclaims any and all liability, including without limitation special, consequential or incidental damages. Buyer is responsible for its products and applications using **onsemi** products, including compliance with all laws, regulations and safety requirements or standards, regardless of any support or applications information provided by **onsemi**. "Typical" parameters which may be provided in **onsemi** data sheets and/or specifications can and do vary in different applications and actual performance may vary over time. All operating parameters, including "Typicals" must be validated for each customer application by customer's technical experts. **onsemi** does not convey any license under any of its intellectual property rights nor the rights of others. **onsemi** products are not designed, intended, or authorized for use as a critical component in life support systems or any FDA Class 3 medical devices or medical devices with a same or similar classification in a foreign jurisdiction or any devices intended for implantation in the human body. Should Buyer purchase or use **onsemi** products for any such unintended or unauthorized application, Buyer shall indemnify and hold **onsemi** and its officers, employees, subsidiaries, affiliates, and distributors harmless against all claims, costs, damages, and expenses, and reasonable attorney fees arising out of, directly or indirectly, any claim of personal injury or death associated with such unintended or unauthorized use, even if such claim alleges that **onsemi** was negligent regarding the design or manufacture of the part. **onsemi** is an Equal Opportunity/Affirmative Action Employer. This literature is subject to all applicable copyright laws and is not for resale in any manner.

## PUBLICATION ORDERING INFORMATION

### LITERATURE FULFILLMENT:

Email Requests to: [orderlit@onsemi.com](mailto:orderlit@onsemi.com)

**onsemi Website:** [www.onsemi.com](http://www.onsemi.com)

### TECHNICAL SUPPORT

**North American Technical Support:**

Voice Mail: 1 800-282-9855 Toll Free USA/Canada

Phone: 011 421 33 790 2910

**Europe, Middle East and Africa Technical Support:**

Phone: 00421 33 790 2910

For additional information, please contact your local Sales Representative

## X-ON Electronics

Largest Supplier of Electrical and Electronic Components

*Click to view similar products for [Image Sensors](#) category:*

*Click to view products by [ON Semiconductor](#) manufacturer:*

Other Similar products are found below :

[KAF-16803-ABA-DD-BA](#) [KAF-4320-AAA-JP-B1](#) [KAF-16200-ABA-CD-B2](#) [KAF-50100-AAA-JD-BA](#) [KAI-0340-FBA-CB-AA-SINGLE](#)  
[KAI-11002-ABA-CD-B1](#) [KAI-2020-ABA-CD-BA](#) [KAI-2093-ABA-CB-B2](#) [KAI-2020-ABA-CP-BA](#) [KAI-01150-FBA-FD-BA](#) [KAF-8300-](#)  
[AXC-CD-AA](#) [KAI-11002-ABA-CD-B2](#) [KAF-3200-ABA-CD-B2](#) [AR0331SRSC00SUCA0-DPBR](#) [EKL3104](#) [MT9V138C12STC-DP1](#) [KAI-](#)  
[08051-AXA-JP-BA](#) [KLI-8023-RAA-ED-AA](#) [KAF-0402-ABA-CP-B2](#) [KLI-8023-AAA-ED-AA](#) [KAF-16200-FXA-CD-B2](#) [KAI-04050-AAA-](#)  
[JP-BA](#) [NOM02A4-AG01G](#) [NOM02A4-AR03G](#) [KAF-1603-AAA-CP-B2](#) [KAF-1001-AAA-CP-B1](#) [NOIV1SE2000A-QDC](#) [KAI-1003-AAA-](#)  
[CR-B2](#) [KAI-0340-FBA-CB-AA-DUAL](#) [KAF-0402-ABA-CD-B1](#) [KAI-01050-FBA-JD-BA](#) [AR0237IRSH12SHRA0-DR](#) [NOIV1SE5000A-](#)  
[QDC](#) [OV02659-A47A](#) [AR0132AT6M00XPEA0-DRBR](#) [DR2X2K7\\_INVAR\\_RGB\\_V6](#) [DR2X4K7\\_INVAR\\_RGB\\_V6](#) [NOIP1SE1300A-QDI](#)  
[AR0132AT6C00XPEA0-DRBR1](#) [AR0140AT3C00XUEA0-DPBR2](#) [AR0144CSSC00SUKA0-CPBR1](#) [AR0144CSSC00SUKA0-CPBR2](#)  
[AR0230CSSC00SUEA0-DPBR2](#) [AR0238CSSC12SHRA0-DP2](#) [AR0330CM1C00SHAA0-DP2](#) [AR0330CM1C00SHAA0DR](#)  
[AR0330CM1C00SHAA0-DP1](#) [AR0330CS1C12SPKA0-CP2](#) [AR0521SR2M09SURA0-DP1](#) [AR0522SRSC09SURA0-DP1](#)