

5 kV_{RMS}, 4.5-A/9-A Isolated Dual Channel Gate Driver

NCP51563

The NCP51563 are isolated dual-channel gate drivers with 4.5-A/9-A source and sink peak current respectively. They are designed for fast switching to drive power MOSFETs, and SiC MOSFET power switches. The NCP51563 offers short and matched propagation delays.

Two independent and 5 kV_{RMS} internal galvanic isolation from input to each output and internal functional isolation between the two output drivers allows a working voltage of up to 1850 V_{DC}. This driver can be used in any possible configurations of two low side, two high-side switches or a half-bridge driver with programmable dead time.

An ENA/DIS pin shutdowns both outputs simultaneously when set low or high for ENABLE or DISABLE mode respectively.

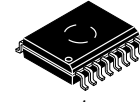
The NCP51563 offers other important protection functions such as independent under-voltage lockout for both gate drivers and a Dead Time adjustment function.

Features

- Flexible: Dual Low-Side, Dual High-Side or Half-Bridge Gate Driver
- 4.5-A Peak Source, 9-A Peak Sink Output Current Capability
- Independent UVLO Protections for Both Output Drivers
- Output Supply Voltage from 6.5 V to 30 V with 5-V and 8-V for MOSFET, 13-V and 17-V UVLO for SiC, Thresholds
- Common Mode Transient Immunity CMTI > 200 V/ns
- Propagation Delay Typical 36 ns with
 - ◆ 5 ns Max Delay Matching per Channel
 - ◆ 5 ns Max Pulse-Width Distortion
- User Programmable Input Logic
 - ◆ Single or Dual-input Modes via ANB
 - ◆ ENABLE or DISABLE Mode
- User Programmable Dead-Time
- Isolation & Safety
 - ◆ 5 kV_{RMS} Isolation for 1 Minute (per UL1577 Requirements)
 - ◆ 8000 V_{PK} Reinforced Isolation Voltage (per VDE0884-11 Requirements)
 - ◆ CQC Certification per GB4943.1-2011
 - ◆ SGS FIMO Certification per IEC 62386-1
- These are Pb-Free Devices

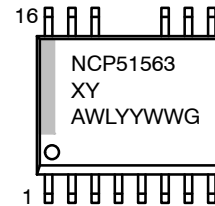
Typical Applications

- Motor Drives
- Isolated Converters in DC-DC and AC-DC Power Supply
- Server, Telecom, and Industrial Infrastructures
- UPS and Solar Inverters



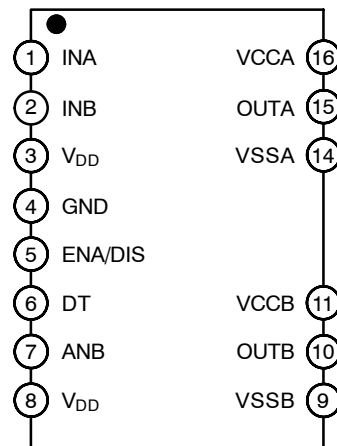
1
SOIC-16 WB LESS PINS 12 & 13
CASE 752AJ

MARKING DIAGRAM



NCP51563 = Specific Device Code
 X = A or B or C or D for UVLO Option
 Y = A or B for ENABLE/DISABLE
 A = Assembly Location
 WL = Wafer Lot
 YY = Year
 WW = Work Week
 G = Pb-Free Package

PIN CONNECTIONS

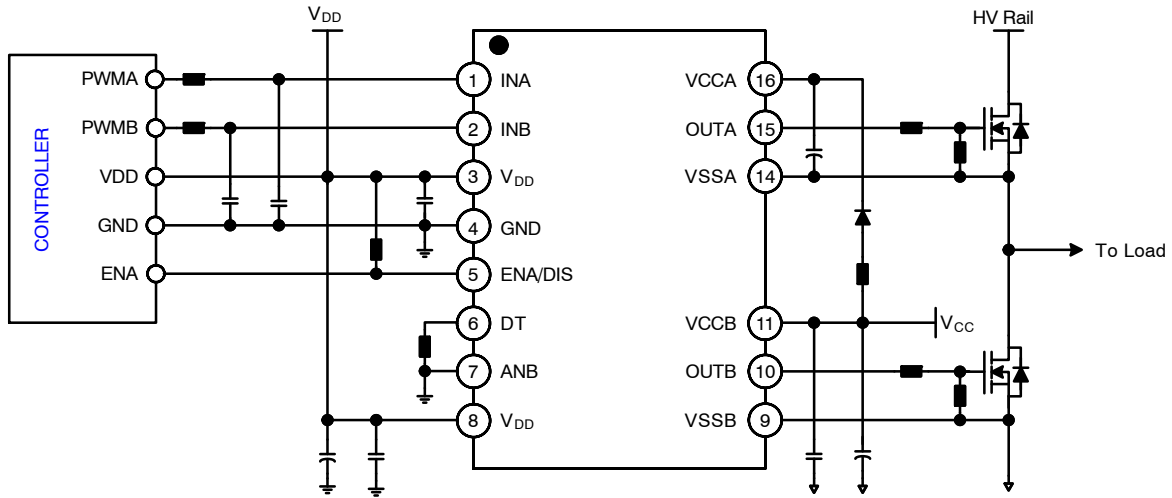


ORDERING INFORMATION

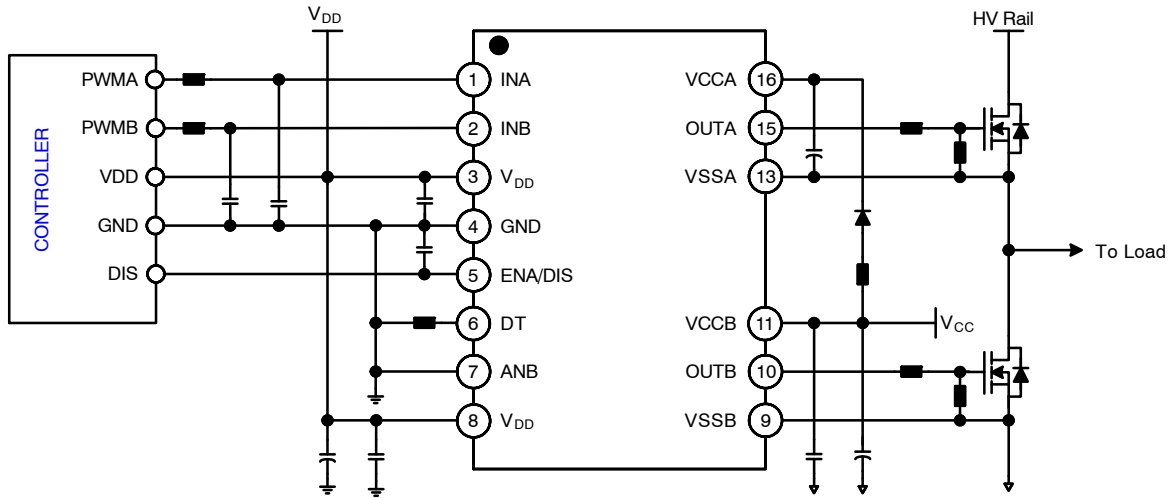
See detailed ordering and shipping information on page 30 of this data sheet.

NCP51563

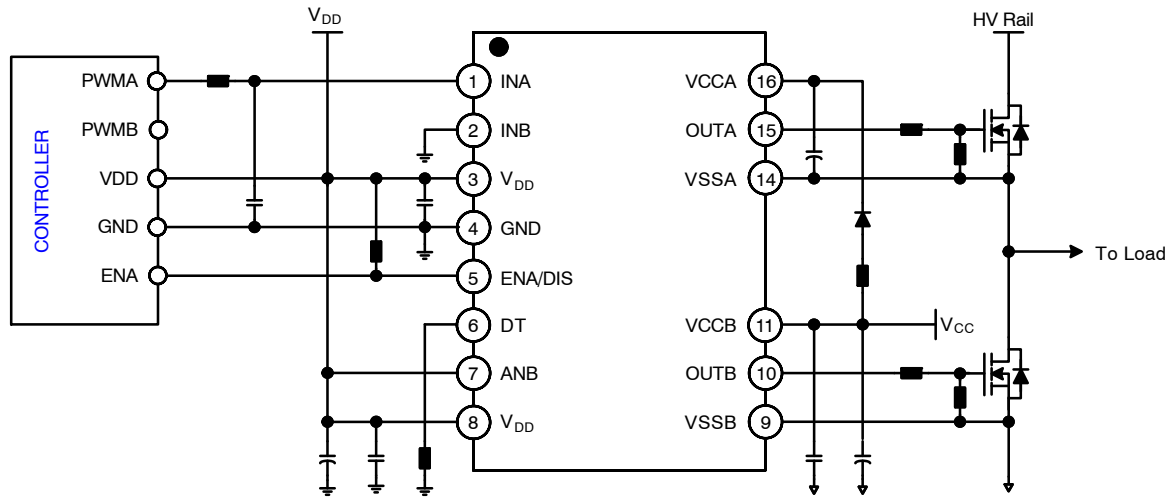
TYPICAL APPLICATION CIRCUIT



(a) High and Low Side MOSFET Gate Drive for ENABLE Version



(b) High and Low Side MOSFET Gate Drive for DISABLE Version



(c) High and Low Side MOSFET Gate Drive with PWM Controller for ENABLE Version

Figure 1. Typical Application Schematic

NCP51563

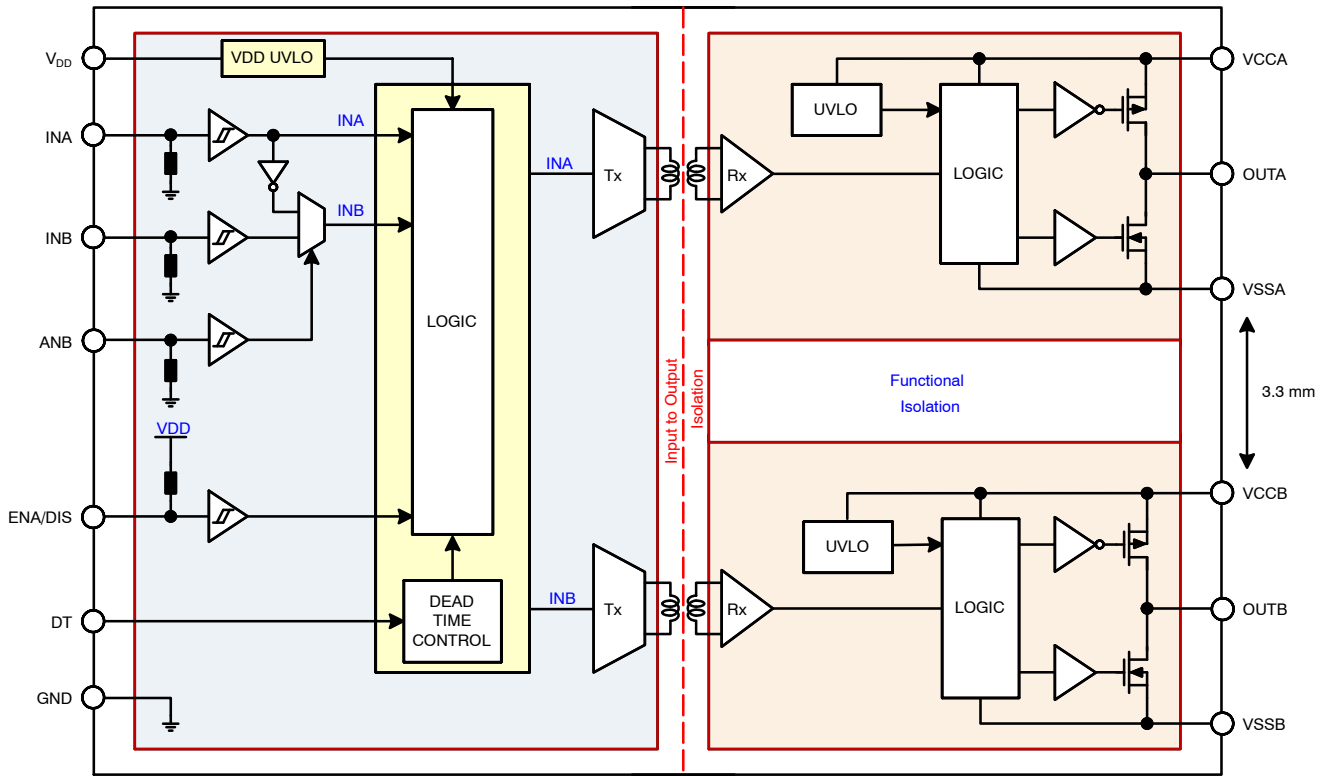
FUNCTIONAL TABLE

| INPUT | | | | | UVLO | | | GATE DRIVE OUTPUT | |
|------------------|---------|-----|-----|-----|-------------------------------|-------------------------------|-------------------------------|-------------------|------------|
| ENA/DIS (Note 3) | | ANB | INA | INB | Input Side (V _{DD}) | Output Side | | OUTA | OUTB |
| ENABLE | DISABLE | | | | | Channel A (V _{CCA}) | Channel B (V _{CCB}) | | |
| X | X | X | X | X | Active | X | X | L | L |
| X | X | X | X | X | X | Active | Active | L | L |
| H | L | L | X | L | Inactive | Active | Inactive | L | L |
| H | L | L | X | H | Inactive | Active | Inactive | L | H |
| H | L | L | L | X | Inactive | Inactive | Active | L | L |
| H | L | L | H | X | Inactive | Inactive | Active | H | L |
| L | H | L | X | X | Inactive | Inactive | Inactive | L | L |
| H | L | L | L | L | Inactive | Inactive | Inactive | L | L |
| H | L | L | L | H | Inactive | Inactive | Inactive | L | H |
| H | L | L | H | H | Inactive | Inactive | Inactive | L (Note 5) | L (Note 5) |
| | | | | | Inactive | Inactive | Inactive | H (Note 6) | H (Note 6) |
| H | L | H | L | X | Inactive | Active | Inactive | L | H |
| H | L | H | H | X | Inactive | Active | Inactive | L | L |
| H | L | H | L | X | Inactive | Inactive | Active | L | L |
| H | L | H | H | X | Inactive | Inactive | Active | H | L |
| L | H | H | X | X | Inactive | Inactive | Inactive | L | L |
| H | L | H | L | X | Inactive | Inactive | Inactive | L | H |
| H | L | H | H | X | Inactive | Inactive | Inactive | H | L |

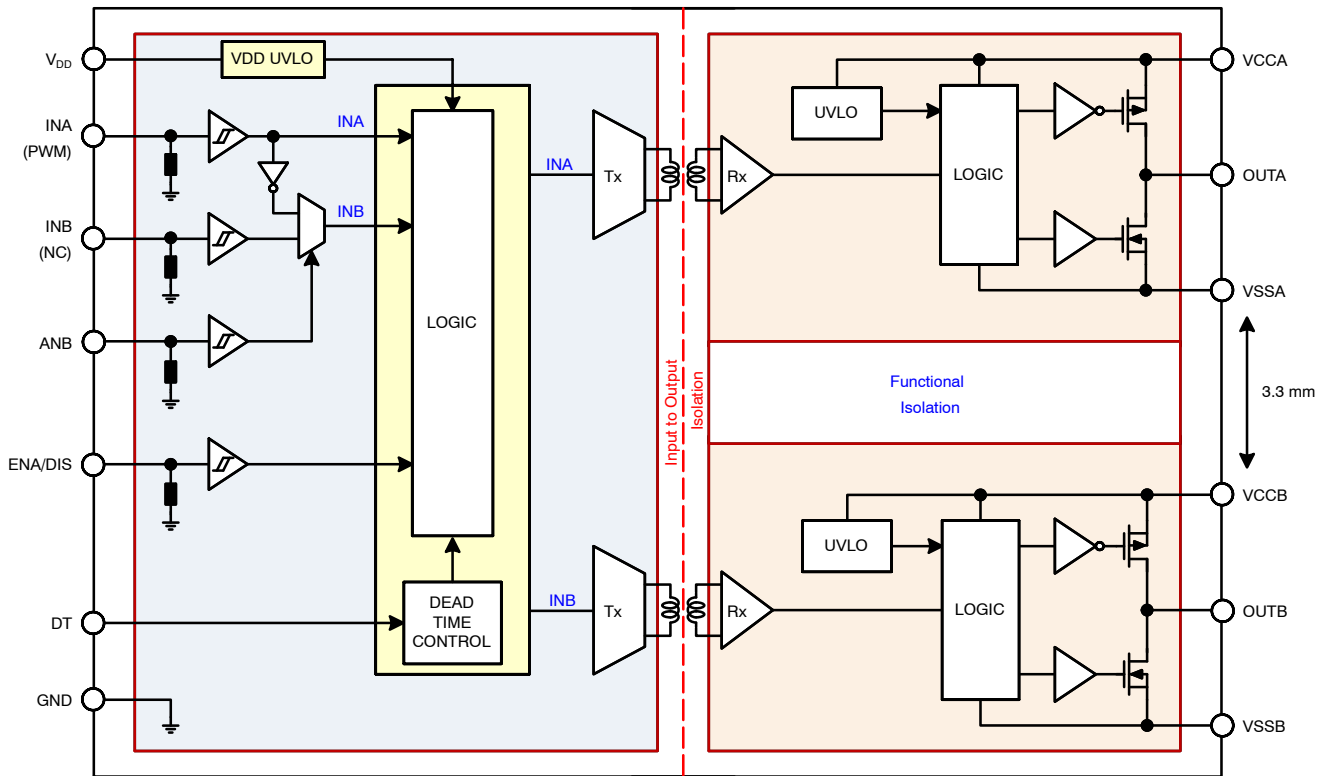
1. "L" means that LOW, "H" means that HIGH and X: Any Status
2. Inactive means that V_{DD}, V_{CCA}, and V_{CCB} are above UVLO threshold voltage (Normal operation)
Active means that UVLO disables the gate driver output stage.
3. Disables both gate drive output when the ENA/DIS pin is LOW in ENABLE version, which is default is HIGH, if this pin is open.
Enables both gate drive output when the ENA/DIS pin is LOW in DISABLE version, which is default is LOW, if this pin is open.
4. When the ANB pin is HIGH, OUTA and OUTB are complementary outputs from PWM input signal on the INA pin regardless the INB signal.
5. DT pin is left open or programmed with R_{DT}.
6. DT pin pulled to V_{DD}.

NCP51563

FUNCTIONAL BLOCK DIAGRAM



(a) For Only ENABLE (NCP51563xA) Version



(b) For Only DISABLE (NCP51563xB) Version

Figure 2. Simplified Block Diagram

NCP51563

PIN CONNECTIONS

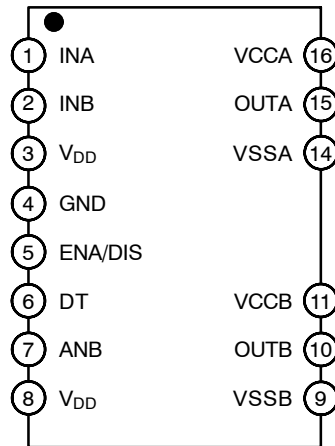


Figure 3. Pin Connections – SOIC–16 WB (Top View)

PIN FUNCTION DESCRIPTION

| Pin No. | Pin Name | I/O | Description |
|---------|------------------|--------|--|
| 1 | INA | Input | Logic Input for Channel A with internal pull–down resistor to GND |
| 2 | INB | Input | Logic Input for Channel B with internal pull–down resistor to GND. |
| 3, 8 | V _{DD} | Power | Input–side Supply Voltage. It is recommended to place a bypass capacitor from V _{DD} to GND. |
| 4 | GND | Power | Ground Input–side. (all signals on input–side are referenced to this pin) |
| 5 | ENA/DIS | Input | Logic Input High Enables Both Output Channels with Internal pull–up resistor for an ENABLE version. Conversely, Logic Input High disables Both Output Channels with Internal pull–down resistor for the DISABLE version. |
| 6 | DT | Input | Input for programmable Dead–Time It provides three kind of operating modes according to the DT pin voltage as below. <i>Mode–A</i> : Cross–conduction both channel outputs is not allowed even though dead–time is less than maximum 20 ns when the DT pin is floating. <i>Mode–B</i> : Dead–time is adjusted according to an external resistance (R _{DT}). t_{DT} (in ns) = 10 x R _{DT} (in kΩ) Recommended dead–time resistor (R _{DT}) values are between 1 kΩ and 300 kΩ. <i>MODE–C</i> : Cross–conduction both channel outputs is allowed when the DT pin pulled to V _{DD} . |
| 7 | ANB | Input | Logic Input to change the input signal configuration with internal pull*down resistor to GND. OUTA and OUTB work as complementary outputs from INA PWM input signal regardless of the INB signal when the ANB pin is high. It is recommended to tie this pin to GND or floating (not recommended) if the ANB pin is not used to achieve better noise immunity. The ANB pin has a typical 3.3 μs internal filter to improve noise immunity but we recommend to tie to GND, if the ANB pin is not used. |
| 9 | VSSB | Power | Ground for Channel B |
| 10 | OUTB | Output | Output for Channel B |
| 11 | V _{CCB} | Power | Supply Voltage for Output Channel B. It is recommended to place a bypass capacitor from V _{CCB} to VSSB. |
| 14 | VSSA | Power | Ground for Channel A |
| 15 | OUTA | Output | Output of Channel A |
| 16 | V _{CCA} | Power | Supply Voltage for Output Channel A. It is recommended to place a bypass capacitor from V _{CCA} to VSSA. |

NCP51563

SAFETY AND INSULATION RATINGS

| Symbol | Parameter | Min | Typ | Max | Unit | |
|-------------------|---|------------------------|-----------|-------|-----------------|--|
| | Installation Classifications per DIN VDE 0110/1.89 Table 1 Rated Mains Voltage | <150 V _{RMS} | – | I–IV | – | |
| | | <300 V _{RMS} | – | I–IV | – | |
| | | <450 V _{RMS} | – | I–IV | – | |
| | | <600 V _{RMS} | – | I–IV | – | |
| | | <1000 V _{RMS} | – | I–III | – | |
| CTI | Comparative Tracking Index (DIN IEC 112/VDE 0303 Part 1) | 600 | – | – | | |
| | Climatic Classification | – | 40/125/21 | – | | |
| | Pollution Degree (DIN VDE 0110/1.89) | – | 2 | – | | |
| V _{PR} | Input–to–Output Test Voltage, Method b, V _{IORM} × 1.875 = V _{PR} , 100% Production Test with t _m = 1 s, Partial Discharge < 5 pC | 2250 | – | – | V _{PK} | |
| V _{IORM} | Maximum Repetitive Peak Isolation Voltage | 1200 | – | – | V _{PK} | |
| V _{IOWM} | Maximum Working Isolation Voltage | 1200 | – | – | V _{DC} | |
| V _{IOTM} | Maximum Transient Isolation Voltage | 8000 | – | – | V _{PK} | |
| E _{CR} | External Creepage | 8.0 | – | – | mm | |
| E _{CL} | External Clearance | 8.0 | – | – | mm | |
| DTI | Insulation Thickness | 17.3 | – | – | μm | |
| R _{IO} | Insulation Resistance at T _S , V _{IO} = 500 V | 10 ⁹ | – | – | Ω | |

UL1577

| | | | | | | |
|------|-----------------------------|---|------|---|---|------------------|
| VISO | Withstand Isolation Voltage | V _{TEST} = V _{ISO} = 5000 V _{RMS} , t = 60 s (Qualification), V _{TEST} = 1.2 × V _{ISO} = 6000 V _{RMS} , t = 1 s (100% Production) | 5000 | – | – | V _{RMS} |
|------|-----------------------------|---|------|---|---|------------------|

NCP51563

SAFETY LIMITING VALUE

| Symbol | Parameter | | Side | Min | Typ | Max | Unit |
|----------------|---------------------|---|----------------------|-----|-----|------|------|
| P _S | Safety Supply Power | Maximum Values in Failure; Input Power | P _{S,INPUT} | - | - | 88 | mW |
| | | Maximum Values in Failure; Output Power | P _{S,OUT} | - | - | 1412 | |
| | | Maximum Values in Failure; Total Power | P _{S,TOTAL} | - | - | 1500 | |
| T _S | Safety Temperature | Maximum Values in Failure; Case Temperature | | - | - | 150 | °C |

MAXIMUM RATINGS

| Symbol | Parameter | Min | Max | Unit | |
|---|---|----------------------|---|------|----|
| V _{DD} to GND | Power Supply Voltage – Input Side (Note 8) | -0.3 | 5.5 | V | |
| V _{CCA} – V _{VSSA} , V _{CCB} – V _{VSSB} | Power Supply Voltage – Driver Side (Note 9) | -0.3 | 33 | V | |
| OUTA to V _{VSSA} , OUTB to V _{VSSB} | Driver Output Voltage (Note 9) | -0.3 | V _{CCA} + 0.3, V _{CCB} + 0.3 | V | |
| OUTA to V _{VSSA} , OUTB to V _{VSSB} , Transient for 200 ns (Note 10) | | -2 | V _{CCA} + 0.3, V _{CCB} + 0.3 | V | |
| INA, INB, and ANB | Input Signal Voltages (Note 8) | -0.3 | 20 | V | |
| INA, INB Transient for 50 ns (Note 10) | | -5 | 20 | V | |
| ENA/DIS | Input Signal Voltages (Note 8) | -0.3 | 5.5 | V | |
| ENA/DIS Transient for 50 ns (Note 10) | | -5 | 5.5 | V | |
| DT | Dead Time Control (Note 8) | -0.3 | V _{DD} + 0.3 | V | |
| V _{VSSA} –V _{VSSB} , V _{VSSB} –V _{VSSA} | Channel to Channel Voltage | 1850 | | V | |
| T _J | Junction Temperature | -40 | +150 | °C | |
| T _S | Storage Temperature | -65 | +150 | °C | |
| Electrostatic Discharge Capability | HBM (Note 11) | Human Body Model | - | ±2 | kV |
| | CDM (Note 11) | Charged Device Model | - | ±1 | kV |

Stresses exceeding those listed in the Maximum Ratings table may damage the device. If any of these limits are exceeded, device functionality should not be assumed, damage may occur and reliability may be affected.

7. Refer to ELECTRICAL CHARACTERISTICS, RECOMMENDED OPERATING RANGES and/or APPLICATION INFORMATION for Safe Operating parameters.
8. All voltage values are given with respect to GND pin.
9. All voltage values are given with respect to V_{VSSA} or V_{VSSB} pin.
10. This parameter verified by design and bench test, not tested in production.
11. This device series incorporates ESD protection and is tested by the following methods:
 ESD Human Body Model tested per AEC-Q100-002 (EIA/JESD22-A114)
 ESD Charged Device Model tested per AEC-Q100-011 (EIA/JESD22-C101)
 Latch up Current Maximum Rating: ≤100 mA per JEDEC standard: JESD78F.

NCP51563

RECOMMENDED OPERATING CONDITIONS

| Symbol | Rating | Min | Max | Unit | |
|-------------------------------------|---|-------------------|------|------|---|
| V _{DD} | Power Supply Voltage – Input Side | 3.0 | 5.0 | V | |
| V _{CCA} , V _{CCB} | Power Supply Voltage – Driver Side | 5-V UVLO Version | 6.5 | 30 | V |
| | | 8-V UVLO Version | 9.5 | 30 | V |
| | | 13-V UVLO Version | 14.5 | 30 | V |
| | | 17-V UVLO Version | 18.5 | 30 | V |
| V _{IN} | Logic Input Voltage at Pins INA, INB, and ANB | 0 | 18 | V | |
| V _{ENA/DIS} | Logic Input Voltage at Pin ENA/DIS | 0 | 5.0 | V | |
| T _A | Ambient Temperature | -40 | +125 | °C | |
| T _J | Junction Temperature | -40 | +125 | °C | |

Functional operation above the stresses listed in the Recommended Operating Ranges is not implied. Extended exposure to stresses beyond the Recommended Operating Ranges limits may affect device reliability.

THERMAL CHARACTERISTICS

| Symbol | Rating | Condition | Value | Unit |
|------------------|---|---|-------|------|
| R _{θJA} | <i>Thermal Characteristics</i> , (Note 13) Thermal Resistance Junction–Air 16–SOIC–WB | 100 mm ² , 1 oz Copper, 1 Surface Layer (1S0P) | 120 | °C/W |
| | | 100 mm ² , 2 oz Copper, 1 Surface Layer (1S0P) | 81 | |
| R _{qJC} | Thermal Resistance Junction–case | 100 mm ² , 1 oz Copper, 1 Surface Layer (1S0P) | 38 | °C/W |
| ψ _{JT} | Thermal Resistance Junction–to–top | | 18 | °C/W |
| ψ _{JB} | Thermal Resistance Junction–to–board | | 55 | °C/W |
| P _D | <i>Power Dissipation</i> (Note 13) 16–SOIC–WB | 100 mm ² , 1 oz Copper, 1 Surface Layer (1S0P) | 0.8 | W |
| | | 100 mm ² , 2 oz Copper, 1 Surface Layer (1S0P) | 1.5 | |

12. Refer to ELECTRICAL CHARACTERISTICS, RECOMMENDED OPERATING RANGES and/or APPLICATION INFORMATION for Safe Operating parameters.

13. JEDEC standard: JESD51–2, and JESD51–3.

ISOLATION CHARACTERISTICS

| Symbol | Parameter | Condition | Min | Typ | Max | Unit |
|----------------------------------|-----------------------------------|--|------------------|-----|-----|------------------|
| V _{ISO,INPUT TO OUTPUT} | Input to Output Isolation Voltage | T _A = 25°C, Relative Humidity < 50%, t = 1.0 minute, I _{I–O} 10 A, 50 Hz (Note 14, 15, 16) | 5000 | – | – | V _{RMS} |
| V _{ISO,OUTA TO OUTB} | OUTA to OUTB Isolation Voltage | Impulse Test > 10 ms (Note 14, 15) | 1850 | – | – | V _{DC} |
| R _{ISO} | Isolation Resistance | V _{I–O} = 500 V (Note 14) | 10 ¹¹ | – | – | Ω |

14. Device is considered a two–terminal device: pins 1 to 8 are shorted together and pins 9 to 16 are shorted together for input to output isolation test, and pins 9 to 11 are shorted together and pins 14 to 16 are shorted together for between channel isolation test.

15. 5,000 V_{RMS} for 1–minute duration is equivalent to 6,000 V_{RMS} for 1–second duration for input to output isolation test, and Impulse Test > 10 ms; sample tested for between channel isolation test.

16. The input–output isolation voltage is a dielectric voltage rating per UL1577. It should not be regarded as an input–output continuous voltage rating. For the continuous working voltage rating, refer to equipment–level safety specification or DIN VDE V 0884–11 Safety and Insulation Ratings Table.

NCP51563

ELECTRICAL CHARACTERISTICS ($V_{DD} = 5\text{ V}$, $V_{CCA} = V_{CCB} = 12\text{ V}$, or 20 V (Note 18) and $V_{SSA} = V_{SSB}$, for typical values $T_J = T_A = 25^\circ\text{C}$, for min/max values $T_J = -40^\circ\text{C}$ to $+125^\circ\text{C}$, unless otherwise specified. (Note 17))

| Symbol | Parameter | Condition | Min | Typ | Max | Unit |
|--------|-----------|-----------|-----|-----|-----|------|
|--------|-----------|-----------|-----|-----|-----|------|

PRIMARY POWER SUPPLY SECTION (V_{DD})

| | | | | | | |
|-------------|---|---|-----|------|------|---------------|
| I_{QVDD} | V_{DD} Quiescent Current | $V_{INA} = V_{INB} = 0\text{ V}$, $V_{ENABLE} = V_{DD}$ or $V_{DISABLE} = 0\text{ V}$ | 500 | 780 | 1000 | μA |
| | | $V_{INA} = V_{INB} = 5\text{ V}$, $V_{ENABLE} = 0\text{ V}$ or $V_{DISABLE} = V_{DD}$ | 500 | 820 | 1000 | μA |
| | | $V_{INA} = V_{INB} = 5\text{ V}$, $V_{ENABLE} = V_{DD}$ or $V_{DISABLE} = 0\text{ V}$ | 7 | 12 | 16 | mA |
| I_{VDD} | V_{DD} Operating Current | $f_{IN} = 500\text{ kHz}$, 50% duty cycle, $C_{OUT} = 100\text{ pF}$ | 5.0 | 7.15 | 9.0 | mA |
| V_{DDUV+} | V_{DD} Supply Under-Voltage Positive-Going Threshold | $V_{DD} = \text{Sweep}$ | 2.7 | 2.8 | 2.9 | V |
| V_{DDUV-} | V_{DD} Supply Under-Voltage Negative-Going Threshold | $V_{DD} = \text{Sweep}$ | 2.6 | 2.7 | 2.8 | V |
| V_{DDHYS} | V_{DD} Supply Under-Voltage Lockout Hysteresis | $V_{DD} = \text{Sweep}$ | – | 0.1 | – | V |

SECONDARY POWER SUPPLY SECTION (V_{CCA} AND V_{CCB})

| | | | | | | |
|----------------------------|---|---|-----|-----|-----|---------------|
| I_{QVCCA} I_{QVCCB} | V_{CCA} and V_{CCB} Quiescent Current | $V_{INA} = V_{INB} = 0\text{ V}$, per channel | 200 | 280 | 500 | μA |
| | | $V_{INA} = V_{INB} = 5\text{ V}$, per channel | 300 | 410 | 600 | μA |
| I_{VCCA} I_{VCCB} | V_{CCA} and V_{CCB} Operating Current | Current per channel ($f_{IN} = 500\text{ kHz}$, 50% duty cycle), $C_{OUT} = 100\text{ pF}$ | 2.0 | 3.0 | 5.5 | mA |

V_{CCA} AND V_{CCB} UVLO THRESHOLD (5-V UVLO VERSION)

| | | | | | | |
|------------------------------|--|--|-----|-----|-----|---------------|
| V_{CCAUV+} V_{CCBUV+} | V_{CCA} and V_{CCB} Supply Under-Voltage Positive-Going Threshold | | 5.7 | 6.0 | 6.3 | V |
| V_{CCAUV-} V_{CCBUV-} | V_{CCA} and V_{CCB} Supply Under-Voltage Negative-Going Threshold | | 5.4 | 5.7 | 6.0 | V |
| V_{CCHYS} | Under-Voltage Lockout Hysteresis | | – | 0.3 | – | V |
| t_{UVFLT} | Under-Voltage Debounce Time (Note 18) | | – | – | 10 | μs |

V_{CCA} AND V_{CCB} UVLO THRESHOLD (8-V UVLO VERSION)

| | | | | | | |
|------------------------------|--|--|-----|-----|-----|---------------|
| V_{CCAUV+} V_{CCBUV+} | V_{CCA} and V_{CCB} Supply Under-Voltage Positive-Going Threshold | | 8.3 | 8.7 | 9.2 | V |
| V_{CCAUV-} V_{CCBUV-} | V_{CCA} and V_{CCB} Supply Under-Voltage Negative-Going Threshold | | 7.8 | 8.2 | 8.7 | V |
| V_{CCHYS} | Under-Voltage Lockout Hysteresis | | – | 0.5 | – | V |
| t_{UVFLT} | Under-Voltage Debounce Time (Note 18) | | – | – | 10 | μs |

V_{CCA} AND V_{CCB} UVLO THRESHOLD (13-V UVLO VERSION)

| | | | | | | |
|------------------------------|--|--|----|----|----|---------------|
| V_{CCAUV+} V_{CCBUV+} | V_{CCA} and V_{CCB} Supply Under-Voltage Positive-Going Threshold | | 12 | 13 | 14 | V |
| V_{CCAUV-} V_{CCBUV-} | V_{CCA} and V_{CCB} Supply Under-Voltage Negative-Going Threshold | | 11 | 12 | 13 | V |
| V_{CCHYS} | Under-Voltage Lockout Hysteresis | | – | 1 | – | V |
| t_{UVFLT} | Under-Voltage Debounce Time (Note 18) | | – | – | 10 | μs |

NCP51563

ELECTRICAL CHARACTERISTICS ($V_{DD} = 5\text{ V}$, $V_{CCA} = V_{CCB} = 12\text{ V}$, or 20 V (Note 18) and $V_{SSA} = V_{SSB}$, for typical values $T_J = T_A = 25^\circ\text{C}$, for min/max values $T_J = -40^\circ\text{C}$ to $+125^\circ\text{C}$, unless otherwise specified. (Note 17)) (continued)

| Symbol | Parameter | Condition | Min | Typ | Max | Unit |
|--------|-----------|-----------|-----|-----|-----|------|
|--------|-----------|-----------|-----|-----|-----|------|

VCCA AND VCCB UVLO THRESHOLD (17-V UVLO VERSION)

| | | | | | | |
|------------------------------|---|--|----|----|----|---------------|
| V_{CCAUV+} V_{CCBUV+} | V_{CCA} and V_{CCB} Supply Under-Voltage Positive-Going Threshold | | 16 | 17 | 18 | V |
| V_{CCAUV-} V_{CCBUV-} | V_{CCA} and V_{CCB} Supply Under-Voltage Negative-Going Threshold | | 15 | 16 | 17 | V |
| V_{CCHYS} | Under-Voltage Lockout Hysteresis | | – | 1 | – | V |
| t_{UVFLT} | Under-Voltage Debounce Time (Note 18) | | – | – | 10 | μs |

LOGIC INPUT SECTION (INA, INB, AND ANB)

| | | | | | | |
|-------------|-------------------------------------|-----------------------|-----|-----|-----|---------------|
| V_{INH} | High Level Input Voltage | | 1.4 | 1.6 | 1.8 | V |
| V_{INL} | Low Level Input Voltage | | 0.9 | 1.1 | 1.3 | V |
| V_{INHYS} | Input Logic Hysteresis | | – | 0.5 | – | V |
| I_{IN+} | High Level Logic Input Bias Current | $V_{IN} = 5\text{ V}$ | 20 | 25 | 33 | μA |
| I_{IN-} | Low Level Logic Input Bias Current | $V_{IN} = 0\text{ V}$ | – | – | 1.0 | μA |

LOGIC INPUT SECTION (FOR ONLY ENABLE VERSION)

| | | | | | | |
|--------------|-------------------------|--|-----|-----|-----|---|
| V_{ENAH} | Enable High Voltage | | 1.4 | 1.6 | 1.8 | V |
| V_{ENAL} | Enable Low Voltage | | 0.9 | 1.1 | 1.3 | V |
| V_{ENAHYS} | Enable Logic Hysteresis | | – | 0.5 | – | V |

LOGIC INPUT SECTION (FOR ONLY DISABLE VERSION)

| | | | | | | |
|--------------|--------------------------|--|-----|-----|-----|---|
| V_{DISH} | Disable High Voltage | | 1.4 | 1.6 | 1.8 | V |
| V_{DISL} | Disable Low Voltage | | 0.9 | 1.1 | 1.3 | V |
| V_{DISHYS} | Disable Logic Hysteresis | | – | 0.5 | – | V |

DEAD-TIME AND OVERLAP SECTION

| | | | | | | |
|-----------------|--|-------------------------------|----------------------|---------------------|----------------------|----|
| $t_{DT,MIN}$ | Minimum Dead-Time | DT pin is left open | 0 | 10 | 29 | ns |
| t_{DT} | Dead-Time | $R_{DT} = 20\text{ k}\Omega$ | 145 | 200 | 245 | ns |
| | | $R_{DT} = 100\text{ k}\Omega$ | 800 | 1000 | 1200 | ns |
| Δt_{DT} | Dead-Time Mismatch between OUTB \rightarrow OUTA and OUTA \rightarrow OUTB | $R_{DT} = 20\text{ k}\Omega$ | –30 | – | 30 | ns |
| | | $R_{DT} = 100\text{ k}\Omega$ | –150 | – | 150 | ns |
| $V_{DT,SHORT}$ | DT Threshold Voltage for OUTA & OUTB Overlap | | $0.85 \times V_{DD}$ | $0.9 \times V_{DD}$ | $0.95 \times V_{DD}$ | V |

GATE DRIVE SECTION

| | | | | | | |
|------------------------|--|--|-----|-----|-----|----------|
| I_{OUTA+}, I_{OUTB+} | OUTA and OUTB Source Peak Current (Note 18) | $V_{INA} = V_{INB} = 5\text{ V}$, $PW \leq 5\text{ }\mu\text{s}$ $V_{CCA} = V_{CCB} = 12\text{ V}$ | 2.6 | 4.5 | – | A |
| I_{OUTA-}, I_{OUTB-} | OUTA and OUTB Sink Peak Current (Note 18) | $V_{INA} = V_{INB} = 0\text{ V}$, $PW \leq 5\text{ }\mu\text{s}$ $V_{CCA} = V_{CCB} = 12\text{ V}$ | 7.0 | 9.0 | – | A |
| R_{OH} | Output Resistance at High State | $I_{OUTH} = 100\text{ mA}$ | – | 1.4 | 2.7 | Ω |
| R_{OL} | Output Resistance at Low State | $I_{OUTL} = 100\text{ mA}$ | – | 0.5 | 1.0 | Ω |
| V_{OHA}, V_{OHB} | High Level Output Voltage ($V_{CCX} - V_{OUTX}$) | $I_{OUT} = 100\text{ mA}$ | – | – | 270 | mV |
| V_{OLA}, V_{OLB} | Low Level Output Voltage ($V_{OUTX} - V_{SSX}$) | $I_{OUT} = 100\text{ mA}$ | – | – | 100 | mV |

Product parametric performance is indicated in the Electrical Characteristics for the listed test conditions, unless otherwise noted. Product performance may not be indicated by the Electrical Characteristics if operated under different conditions.

17. Performance guaranteed over the indicated operating temperature range by design and/or characterization tested at $T_J = T_A = 25^\circ\text{C}$.

18. $V_{CCA} = V_{CCB} = 12\text{ V}$ is used for the test condition of 5-V and 8-V UVLO, $V_{CCA} = V_{CCB} = 20\text{ V}$ is used for 13-V and 17-V UVLO.

19. These parameters are verified by bench test only and not tested in production.

NCP51563

DYNAMIC ELECTRICAL CHARACTERISTICS ($V_{DD} = 5\text{ V}$, $V_{CCA} = V_{CCB} = 12\text{ V}$, or 20 V (Note 21) and $V_{SSA} = V_{SSB}$, for typical values $T_J = T_A = 25^\circ\text{C}$, for min/max values $T_J = -40^\circ\text{C}$ to $+125^\circ\text{C}$, unless otherwise specified. (Note 20))

| Symbol | Parameter | Condition | Min | Typ | Max | Unit |
|---|---|---|-----|-----|-----|---------------|
| t_{PDON} | Turn-On Propagation Delay from INx to OUTx | $V_{CCA} = V_{CCB} = 12\text{ V}$, $C_{LOAD} = 0\text{ nF}$ | 22 | 36 | 55 | ns |
| | | $V_{CCA} = V_{CCB} = 20\text{ V}$, $C_{LOAD} = 0\text{ nF}$ | 25 | 39 | 58 | ns |
| t_{PDOFF} | Turn-Off Propagation Delay from INx to OUTx | $V_{CCA} = V_{CCB} = 12\text{ V}$, $C_{LOAD} = 0\text{ nF}$ | 22 | 36 | 55 | ns |
| | | $V_{CCA} = V_{CCB} = 20\text{ V}$, $C_{LOAD} = 0\text{ nF}$ | 25 | 39 | 58 | ns |
| t_{PWD} | Pulse Width Distortion ($t_{PDON} - t_{PDOFF}$) | | -5 | - | 5 | ns |
| t_{DM} | Propagation Delay Mismatching between Channels | $f_{IN} = 100\text{ kHz}$ | -5 | - | 5 | ns |
| t_R | Turn-On Rise Time | $V_{CCA} = V_{CCB} = 12\text{ V}$, $C_{LOAD} = 1.8\text{ nF}$ | - | 9 | 16 | ns |
| | | $V_{CCA} = V_{CCB} = 20\text{ V}$, $C_{LOAD} = 1.8\text{ nF}$ | - | 11 | 19 | ns |
| t_F | Turn-Off Fall Time | $V_{CCA} = V_{CCB} = 12\text{ V}$, $C_{LOAD} = 1.8\text{ nF}$ | - | 8 | 16 | ns |
| | | $V_{CCA} = V_{CCB} = 20\text{ V}$, $C_{LOAD} = 1.8\text{ nF}$ | - | 10 | 19 | ns |
| $T_{ENABLE,OUT}$, $T_{DISABLE,OUT}$ | ENABLE or DISABLE to OUTx Turn-On/Off Propagation Delay | $V_{CCA} = V_{CCB} = 12\text{ V}$ | 22 | 36 | 55 | ns |
| | | $V_{CCA} = V_{CCB} = 20\text{ V}$ | 25 | 39 | 58 | ns |
| t_{PW} | Minimum Input Pulse Width that Change Output State | $C_{LOAD} = 0\text{ nF}$ | - | 15 | 30 | ns |
| $T_{FLT,ANB}$ | Glitch Filter on the ANB Pin | | 2.0 | 3.3 | 4.5 | μs |
| CMTI | Common Mode Transient Immunity (Note 22) | Slew rate of GND versus VSSA and VSSB. INA and INB both are tied to V_{DD} or GND. $V_{CM} = 1500\text{ V}$ | 200 | - | - | V/ns |

Product parametric performance is indicated in the Electrical Characteristics for the listed test conditions, unless otherwise noted. Product performance may not be indicated by the Electrical Characteristics if operated under different conditions.

20. Performance guaranteed over the indicated operating temperature range by design and/or characterization tested at $T_J = T_A = 25^\circ\text{C}$.

21. $V_{CCA} = V_{CCB} = 12\text{ V}$ is used for the test condition of 5-V and 8-V UVLO, $V_{CCA} = V_{CCB} = 20\text{ V}$ is used for 13-V and 17-V UVLO.

22. These parameters are verified by bench test only and not tested in production.

INSULATION CHARACTERISTICS CURVES

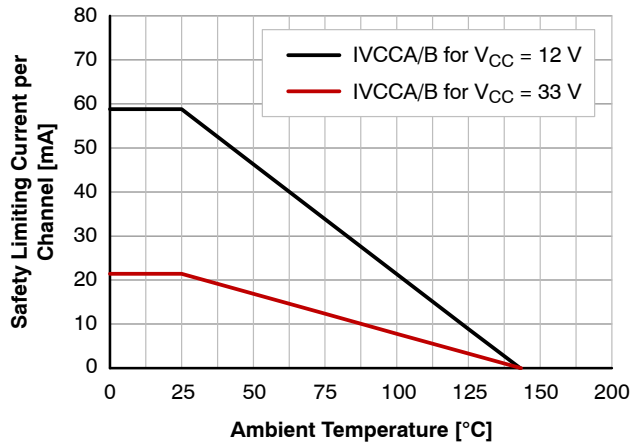


Figure 4. Thermal Derating Curve for Safety-Related Limiting Current (Current in Each Channel with Both Channels Running Simultaneously)

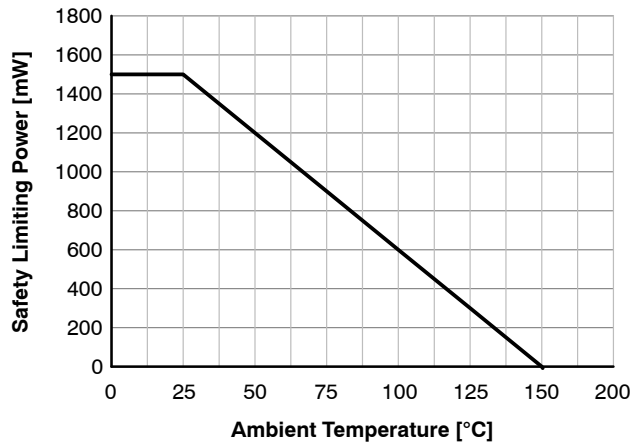


Figure 5. Thermal Derating Curve for Safety-Related Limiting Power

TYPICAL CHARACTERISTICS

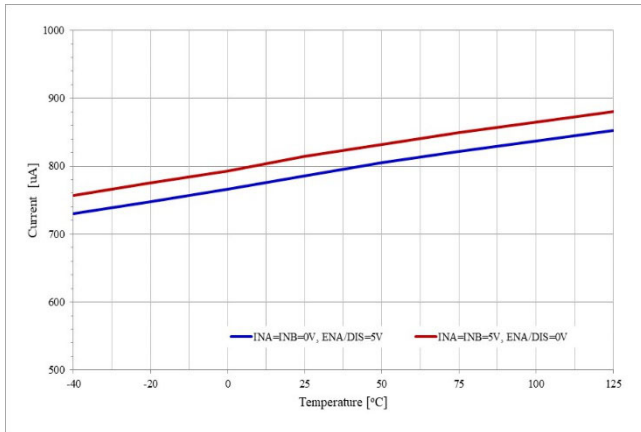


Figure 6. Quiescent V_{DD} Supply Current vs. Temperature ($V_{DD} = 5\text{ V}$, $I_{NA} = I_{NB} = 0\text{ V}$, $E_{NA}/D_{IS} = 5\text{ V}$ or , $I_{NA} = I_{NB} = 5\text{ V}$, $E_{NA}/D_{IS} = 0\text{ V}$ and No Load)

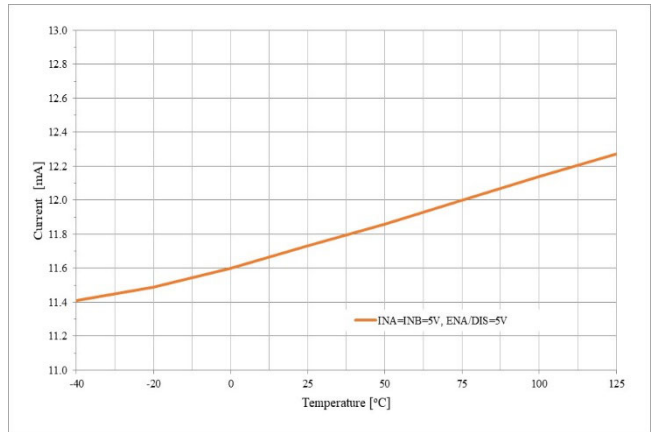


Figure 7. Quiescent V_{DD} Supply Current vs. Temperature ($V_{DD} = 5\text{ V}$, $I_{NA} = I_{NB} = E_{NA}/D_{IS} = 5\text{ V}$ and No Load)

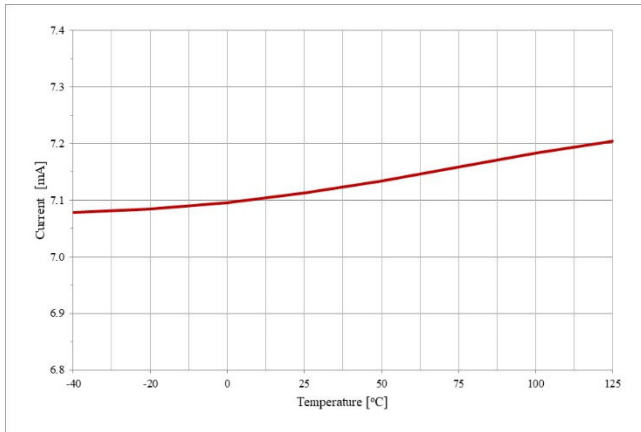


Figure 8. V_{DD} Operating Current vs. Temperature ($V_{DD} = 5\text{ V}$, No Load, and Switching Frequency = 500 kHz)

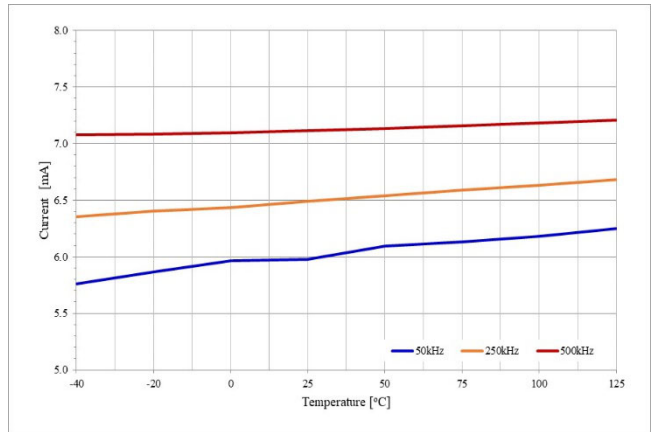


Figure 9. V_{DD} Operating Current vs. Temperature ($V_{DD} = 5\text{ V}$, No Load, and Different Switching Frequency)

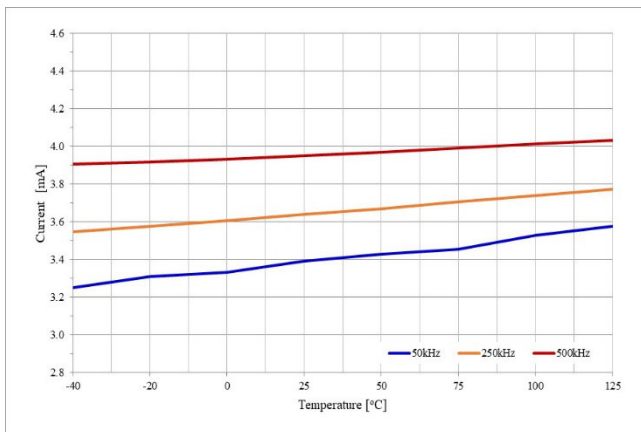


Figure 10. Per Channel V_{DD} Operating Current vs. Temperature ($V_{DD} = 5\text{ V}$, No Load, and Different Switching Frequency)

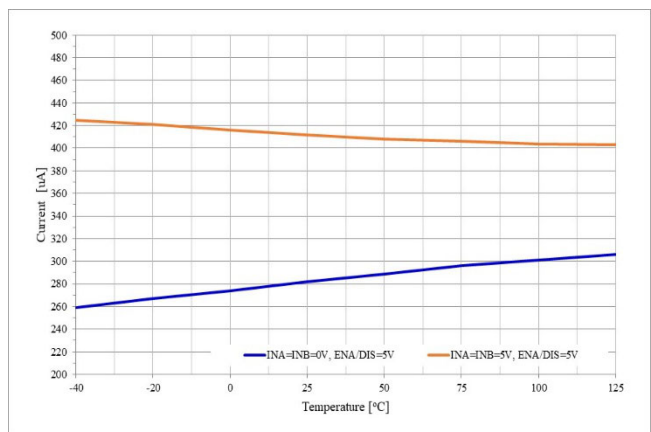


Figure 11. Per Channel Quiescent V_{CC} Supply Current vs. Temperature ($I_{NA} = I_{NB} = 0\text{ V}$ or 5 V , $E_{NA}/D_{IS} = 5\text{ V}$ and No Load)

TYPICAL CHARACTERISTICS (CONTINUED)

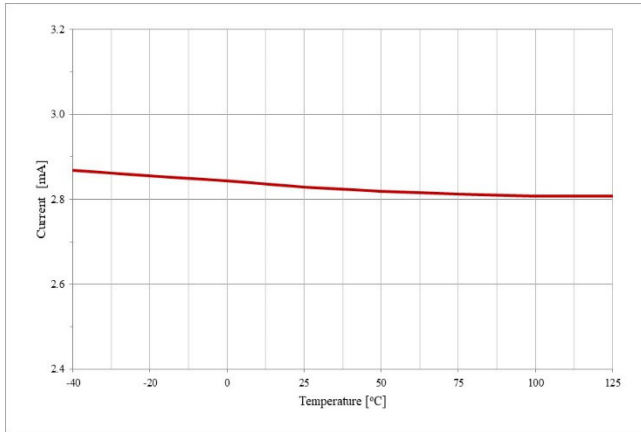


Figure 12. Per Channel V_{CC} Operating Current vs. Temperature (No Load and Switching Frequency = 500 kHz)

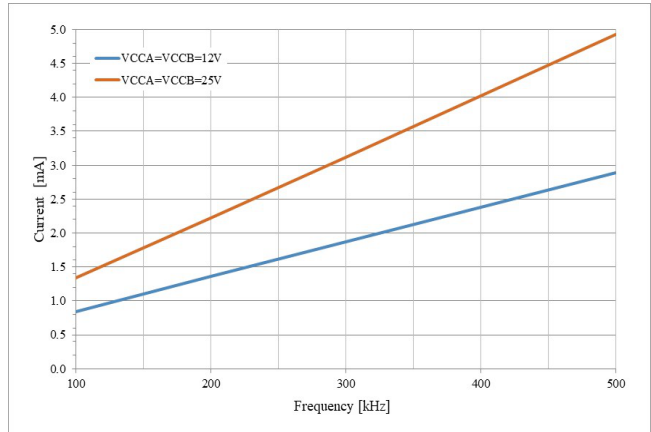


Figure 13. Per Channel Operating Current vs. Frequency (No Load, $V_{CCA} = V_{CCB} = 12$ V, or 25 V)

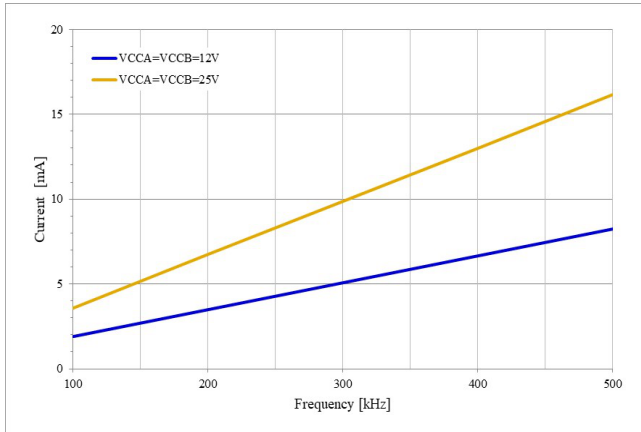


Figure 14. Per Channel Operating Current vs. Frequency ($C_{LOAD} = 1$ nF, $V_{CCA} = V_{CCB} = 12$ V, or 25 V)

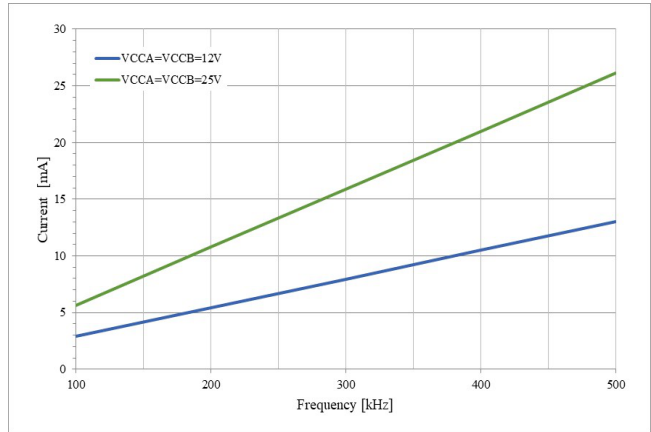


Figure 15. Per Channel Operating Current vs. Frequency ($C_{LOAD} = 1.8$ nF, $V_{CCA} = V_{CCB} = 12$ V, or 25 V)

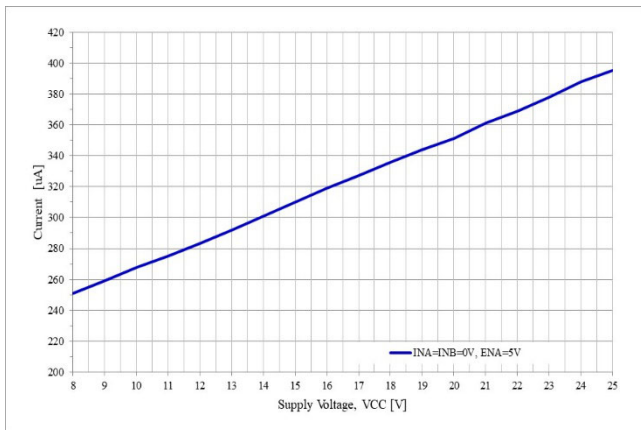


Figure 16. Per Channel V_{CC} Quiescent Current vs. V_{CC} Supply Voltage ($I_{NA} = I_{NB} = 0$ V, $EN_A = 5$ V)

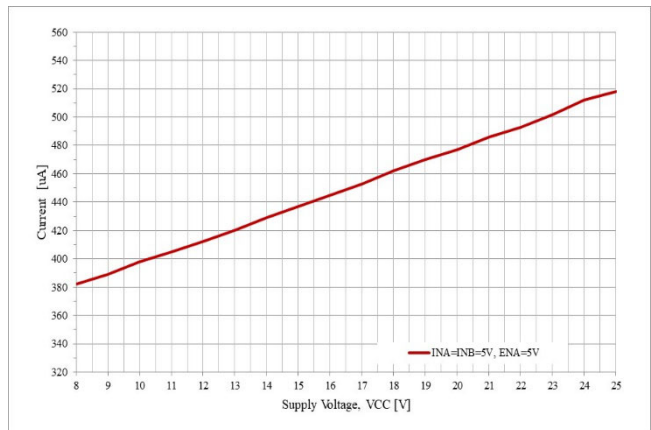


Figure 17. Per Channel V_{CC} Quiescent Current vs. V_{CC} Supply Voltage ($I_{NA} = I_{NB} = 5$ V, $EN_A = 5$ V)

TYPICAL CHARACTERISTICS (CONTINUED)

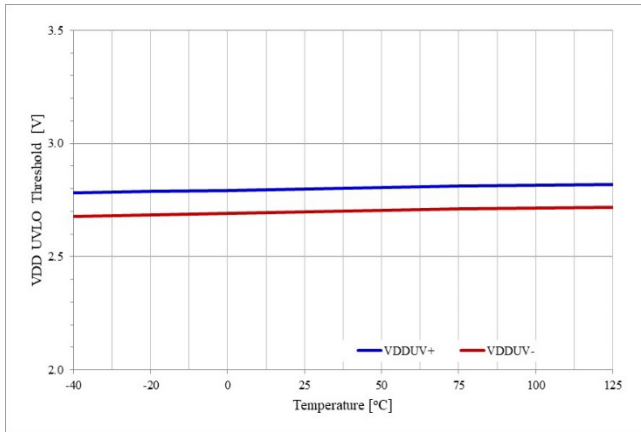


Figure 18. V_{DD} UVLO Threshold vs. Temperature

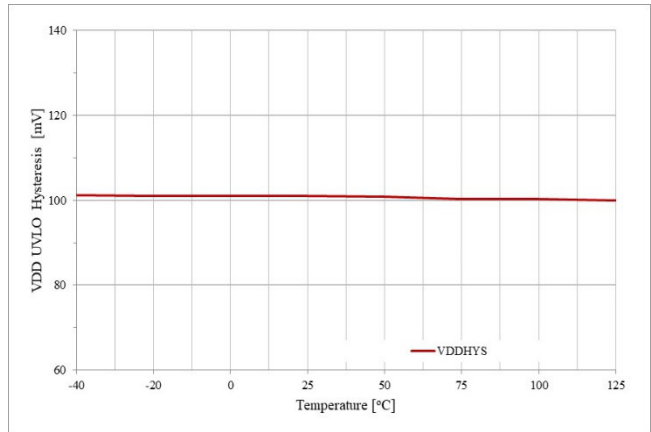


Figure 19. V_{DD} UVLO Hysteresis vs. Temperature

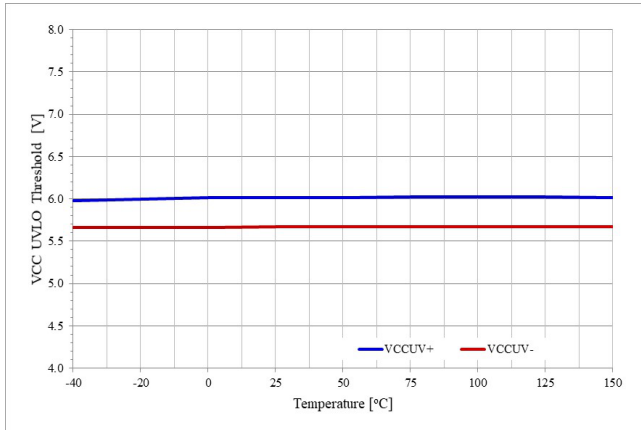


Figure 20. V_{CC} 5-V UVLO Threshold vs. Temperature

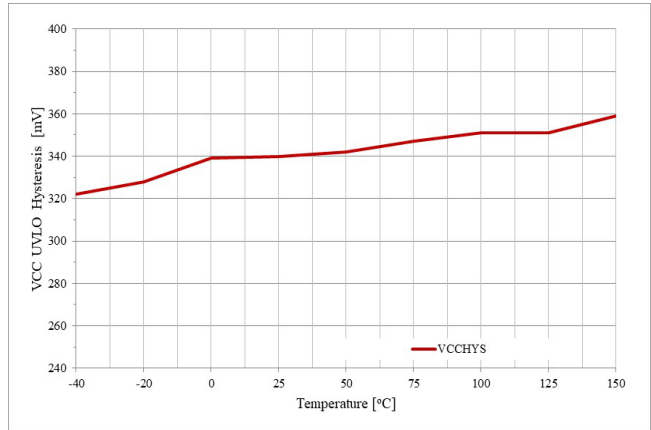


Figure 21. V_{CC} 5-V UVLO Hysteresis vs. Temperature

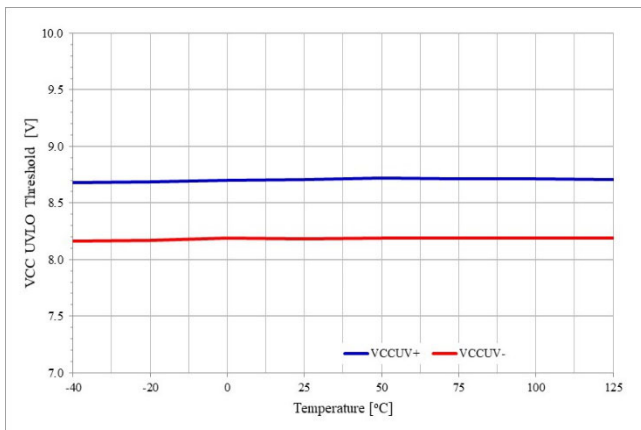


Figure 22. V_{CC} 8-V UVLO Threshold vs. Temperature

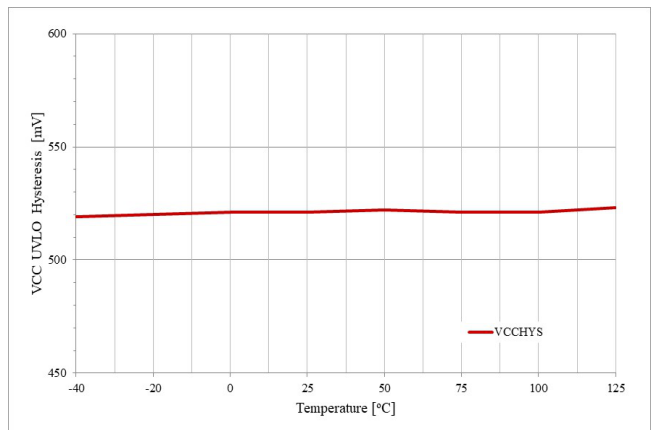


Figure 23. V_{CC} 8-V UVLO Hysteresis vs. Temperature

TYPICAL CHARACTERISTICS (CONTINUED)

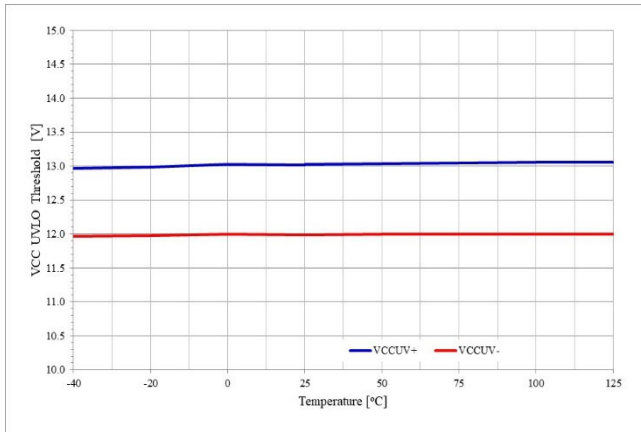


Figure 24. V_{CC} 13-V UVLO Threshold vs. Temperature

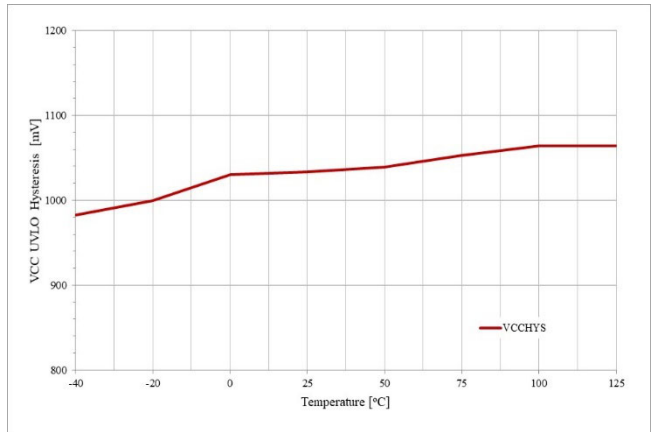


Figure 25. V_{CC} 13-V UVLO Hysteresis vs. Temperature

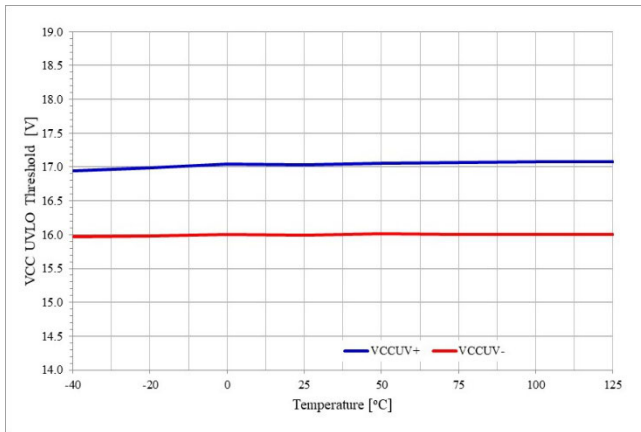


Figure 26. V_{CC} 17-V UVLO Threshold vs. Temperature

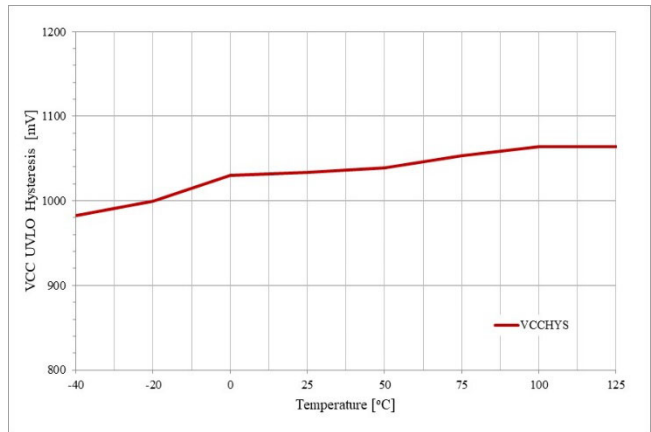


Figure 27. V_{CC} 17-V UVLO Hysteresis vs. Temperature

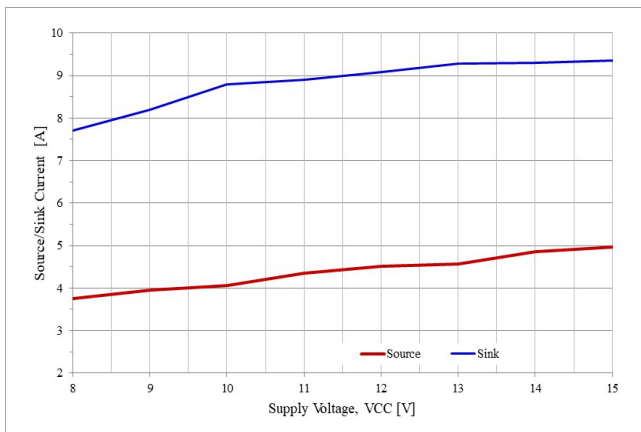


Figure 28. Output Current vs. V_{CC} Supply Voltage

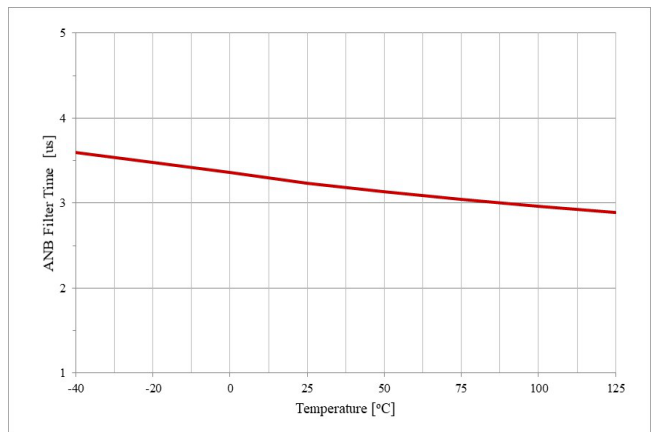


Figure 29. ANB Filter Time vs. Temperature

TYPICAL CHARACTERISTICS (CONTINUED)

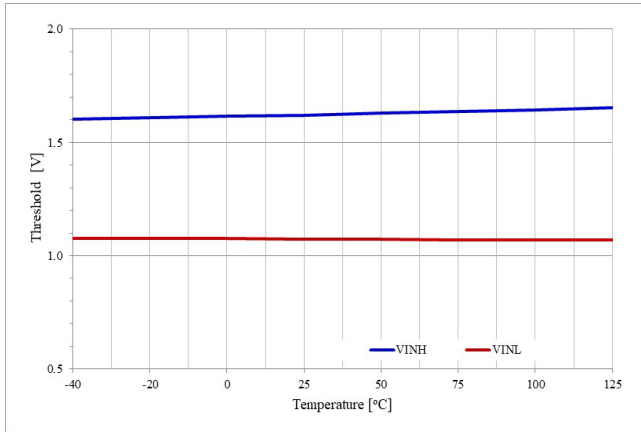


Figure 30. Input Logic Threshold vs. Temperature (INA, INB, and ANB)

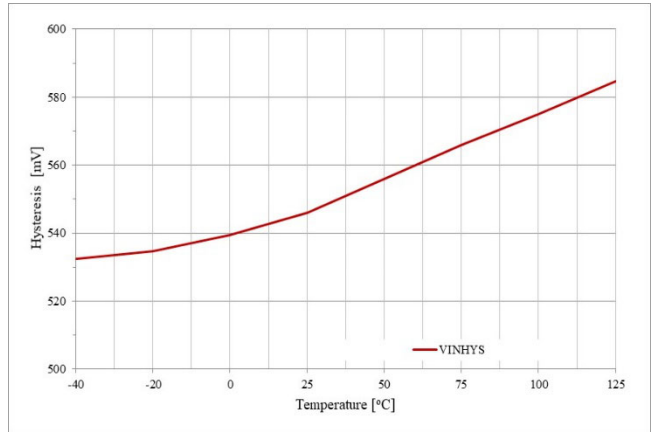


Figure 31. Input Logic Hysteresis vs. Temperature (INA, INB, and ANB)

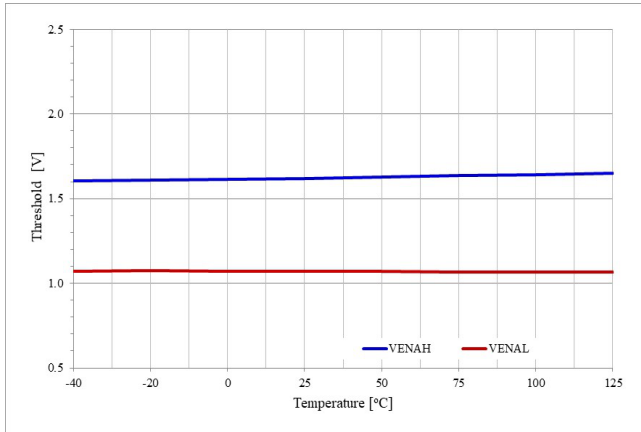


Figure 32. ENA/DIS Threshold vs. Temperature (ENABLE, and DISABLE)

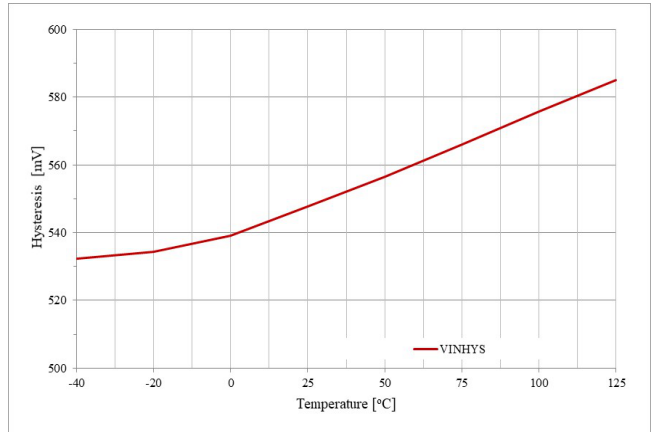


Figure 33. ENA/DIS Hysteresis vs. Temperature (ENABLE, and DISABLE)

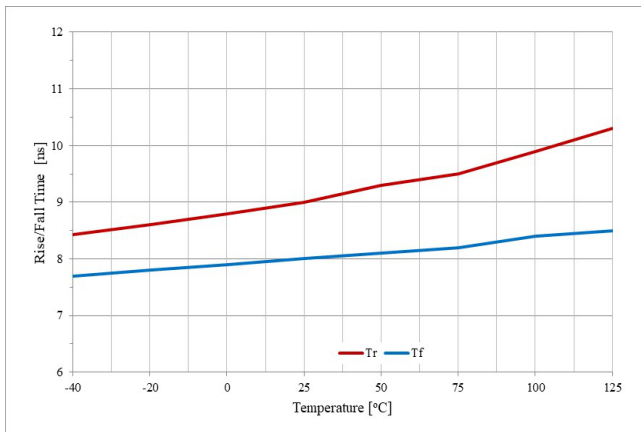


Figure 34. Rise/Fall Time vs. Temperature (C_{LOAD} = 1.8 nF)

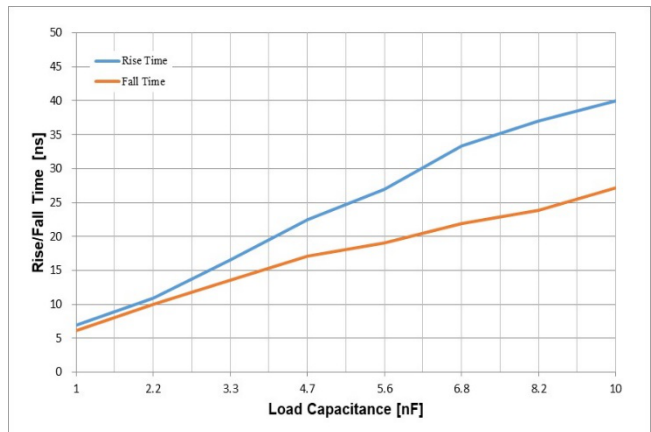


Figure 35. Rise/Fall Time vs. Temperature (V_{CCA} = V_{CCB} = 12 V, and Different Load)

TYPICAL CHARACTERISTICS (CONTINUED)

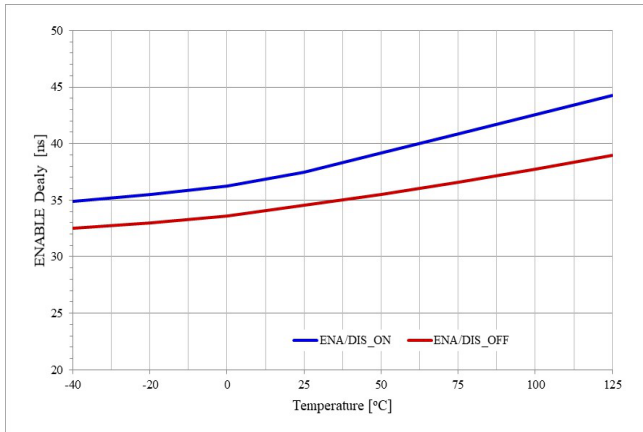


Figure 36. ENA/DIS Delay Time vs. Temperature

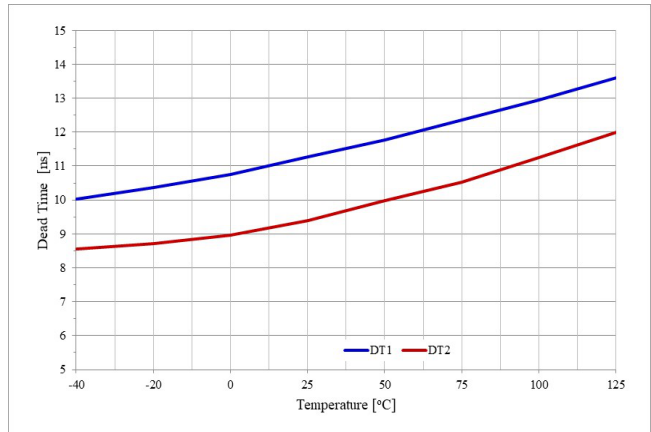


Figure 37. Dead Time vs. Temperature ($R_{DT} = \text{Open}$)

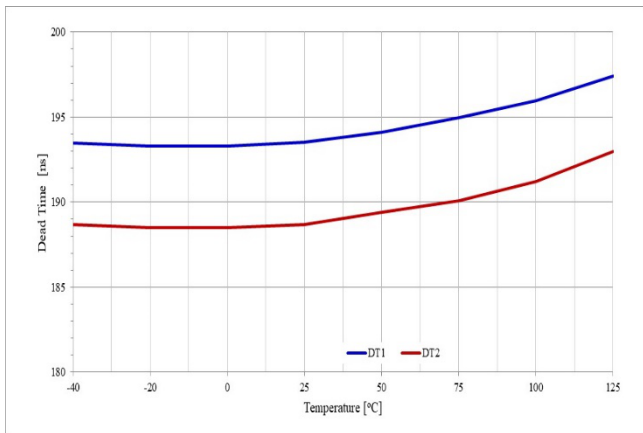


Figure 38. Dead Time vs. Temperature ($R_{DT} = 20 \text{ k}\Omega$)

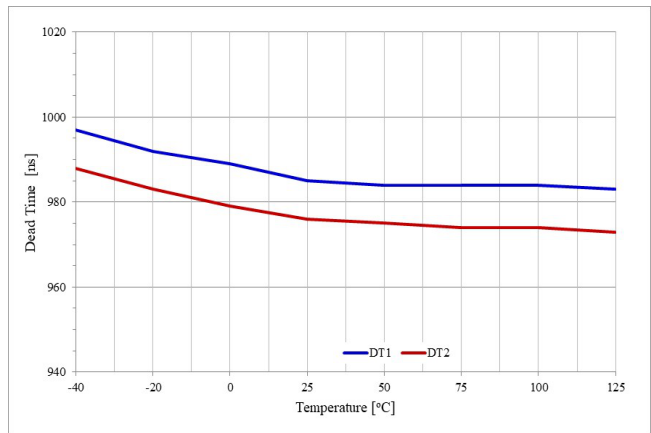


Figure 39. Dead Time vs. Temperature ($R_{DT} = 100 \text{ k}\Omega$)

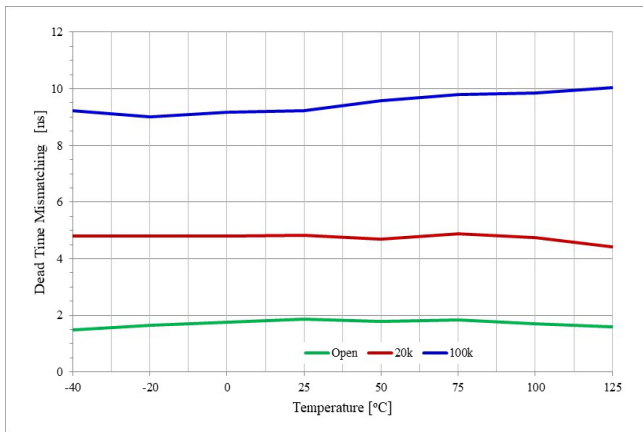


Figure 40. Dead Time Mismatching vs. Temperature

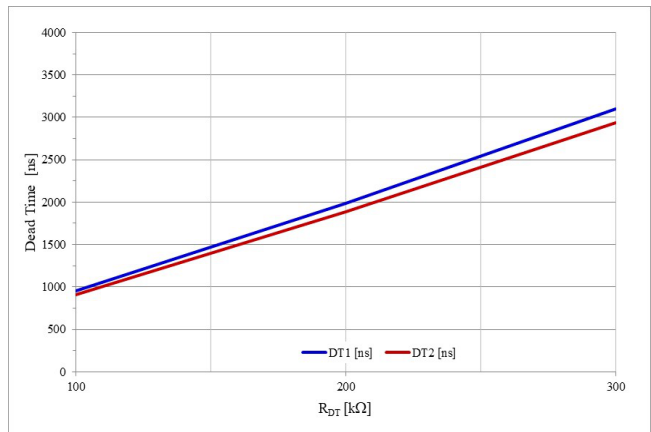


Figure 41. Dead Time vs. R_{DT}

TYPICAL CHARACTERISTICS (CONTINUED)

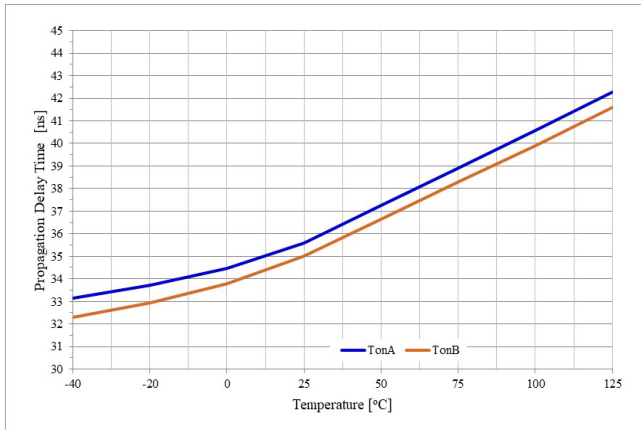


Figure 42. Turn-on Propagation Delay vs. Temperature

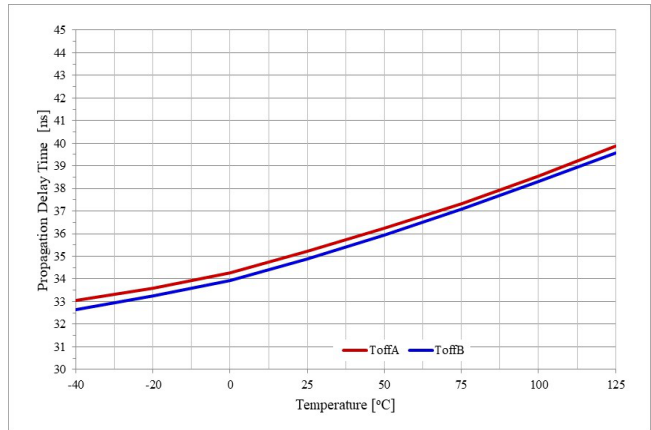


Figure 43. Turn-off Propagation Delay vs. Temperature

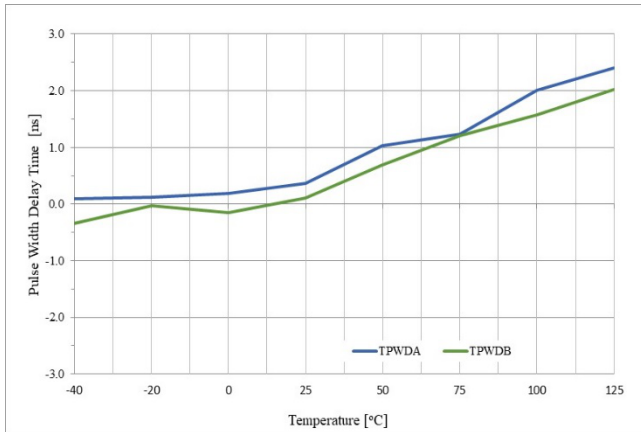


Figure 44. Pulse Width Distortion vs. Temperature

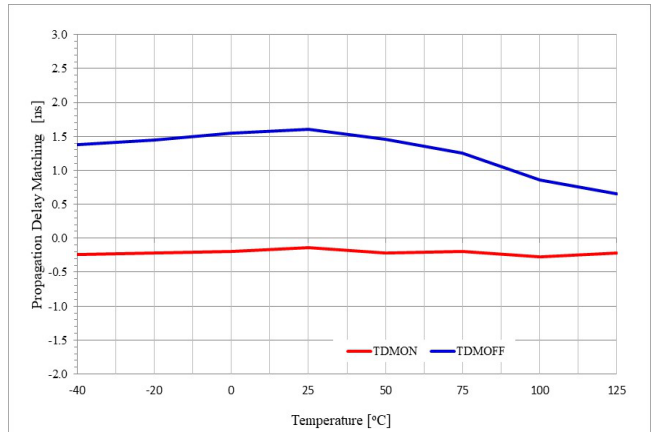


Figure 45. Propagation Delay Matching vs. Temperature

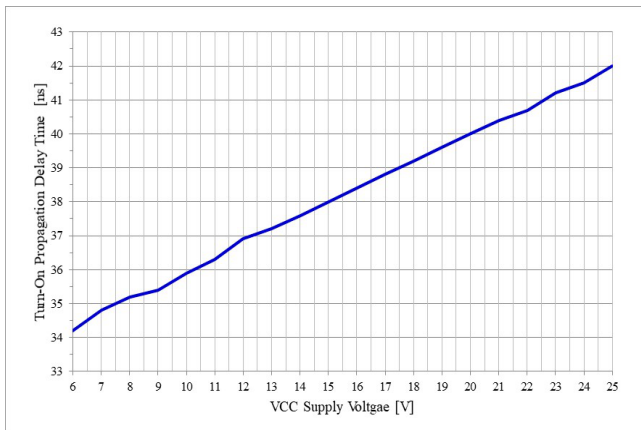


Figure 46. Turn-on Propagation Delay vs. V_{CC} Supply Voltage

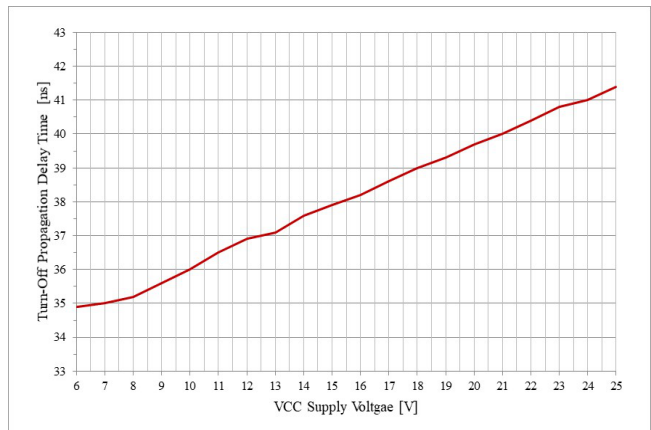


Figure 47. Turn-off Propagation Delay vs. V_{CC} Supply Voltage

PARAMETER MEASUREMENT DEFINITION

Switching Time Definitions

Figure 48 shows the switching time definitions of the turn-on (t_{PDON}) and turn-off (t_{PDOFF}) propagation delay time among the driver's two input signals INA, INB and two

output signals OUTA, OUTB. The typical values of the propagation delay (t_{PDON} , t_{PDOFF}), pulse width distortion (t_{PWD}) and delay matching between channels times are specified in the electrical characteristics table.

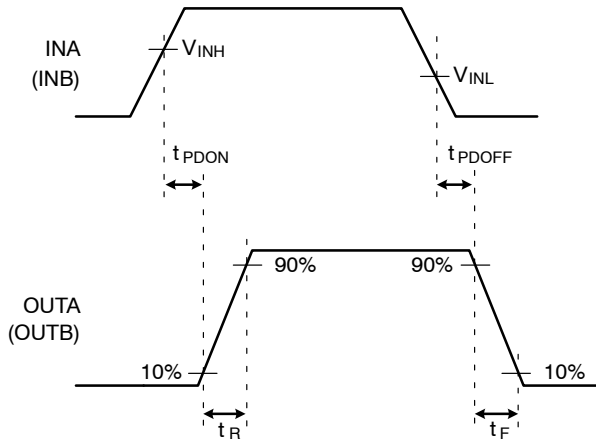


Figure 48. Switching Time Definitions

Enable and Disable Function

Figure 49 shows the response time according to an ENABLE or the DISABLE operating modes. If the ENA/DIS pin voltage goes to LOW state, i.e. $V_{ENA} \leq 1.1$ V shuts down both outputs simultaneously and Pull the ENA/DIS pin HIGH (or left open), i.e. $V_{ENA} \geq 1.6$ V to

operate normally in an ENABLE mode as shown in Figure 49 (a). Conversely, if the ENA/DIS pin voltage goes to HIGH state, i.e. $V_{DIS} \geq 1.6$ V shuts down both outputs simultaneously and Pull the ENA/DIS pin LOW (or left open), i.e. $V_{DIS} \leq 1.1$ V operate normally in the DISABLE mode as shown in Figure 49 (b).

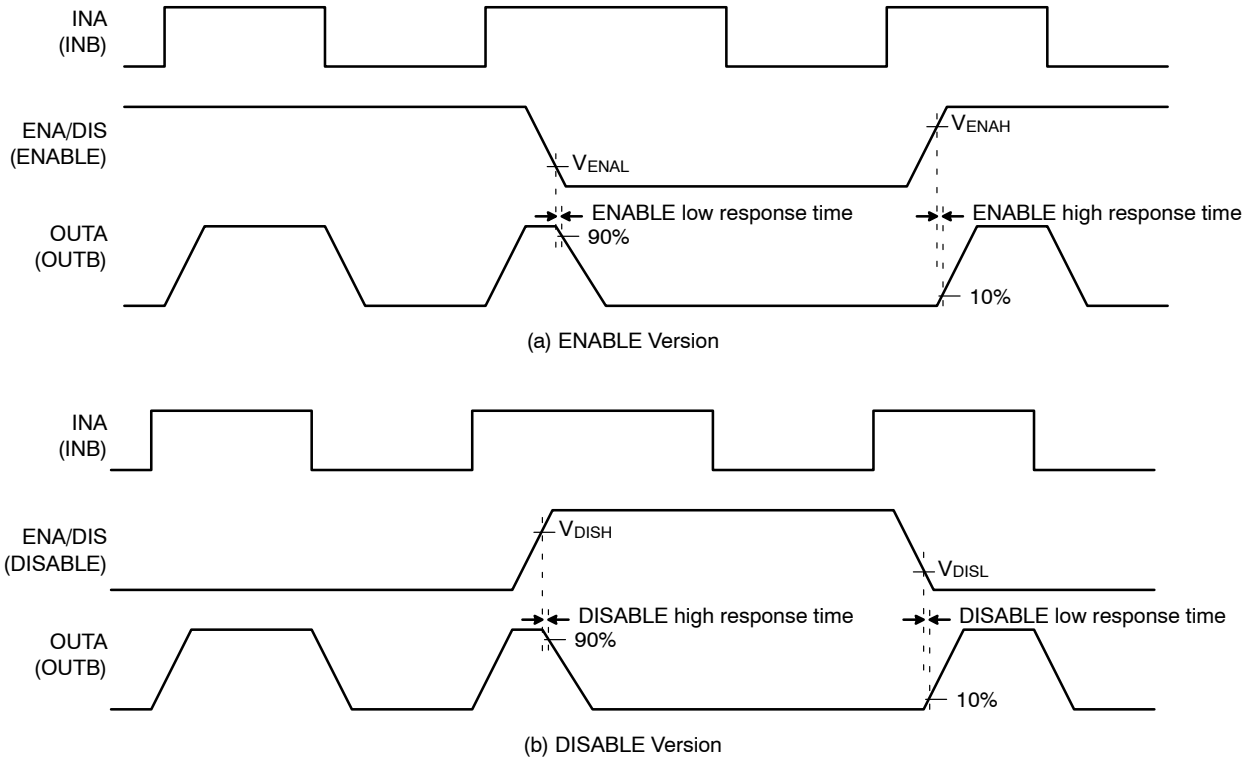


Figure 49. Timing Chart of Enable and Disable Function

Programmable Dead-Time

Dead time is automatically inserted whenever the dead time of the external two input signals (between INA and INB signals) is shorter than internal setting dead times (DT1 and

DT2). Otherwise, if the external input signal dead times are larger than internal dead-time, the dead time is not modified by the gate driver and internal dead-time definition as shown in Figure 50.

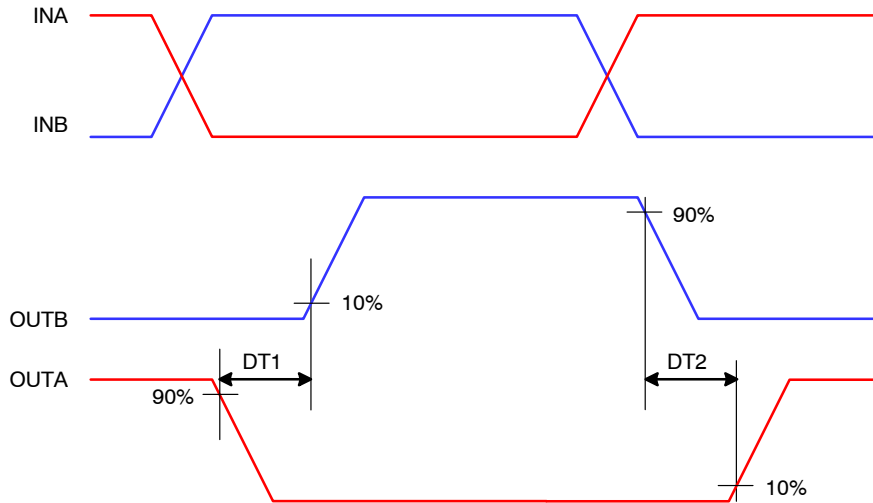
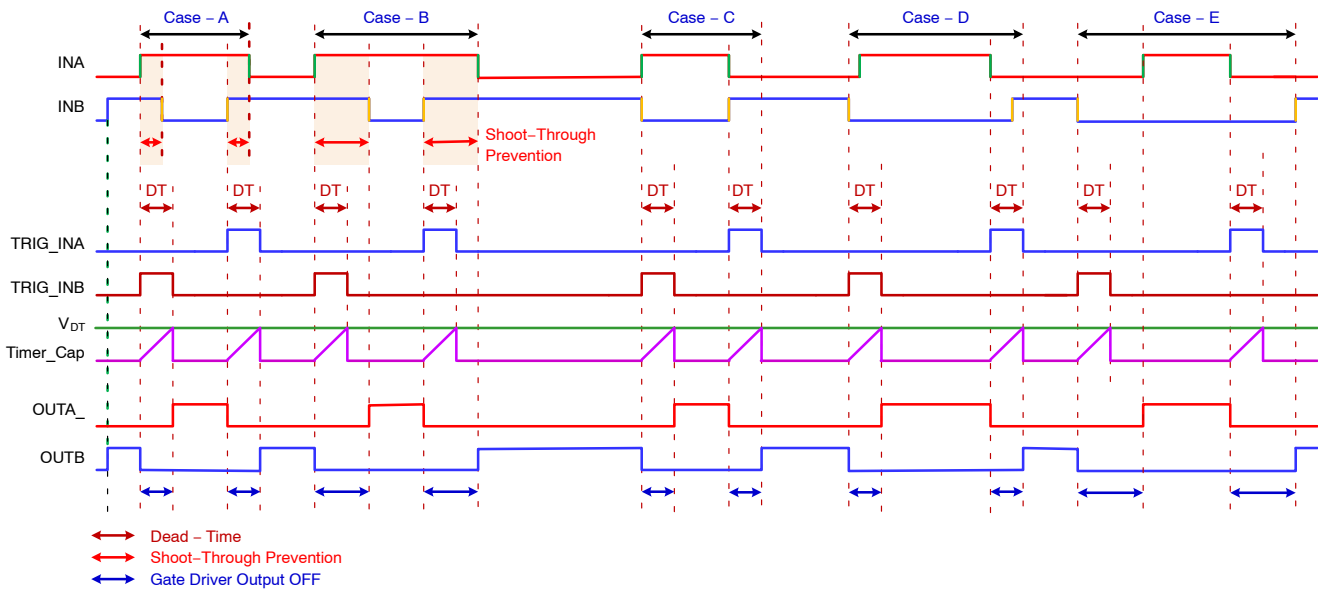


Figure 50. Internal Dead-Time Definitions

Figure 51 shows the definition of internal dead time and shoot-through prevention when input signals applied at same time.



- Case – A: Control signal edges overlapped, but inside the dead-time (Dead-Time)
- Case – B: Control signal edges overlapped, but outside the dead-time (Shoot-Through)
- Case – C: Control signal edges synchronous (Dead-Time)
- Case – D: Control signal edges not overlapped, but inside the dead-time (Dead-Time)
- Case – E: Control signal edges not overlapped, but outside the dead-time (Direct Drive)

Figure 51. Internal Dead-Time Definitions

Input to Output Operation Definitions

The NCP51563 provides important protection functions such as independent under-voltage lockout for both gate driver; enable or disable function and dead-time control function. Figure 52 shows an overall input to output timing diagram when shutdown mode via ENA/DIS pin in the

CASE-A, and Under-Voltage Lockout protection on the primary- and secondary-sides power supplies events in the CASE-B. The gate driver output (OUTA and OUTB) were turn-off when cross-conduction event at the dead time control mode in the CASE-C.

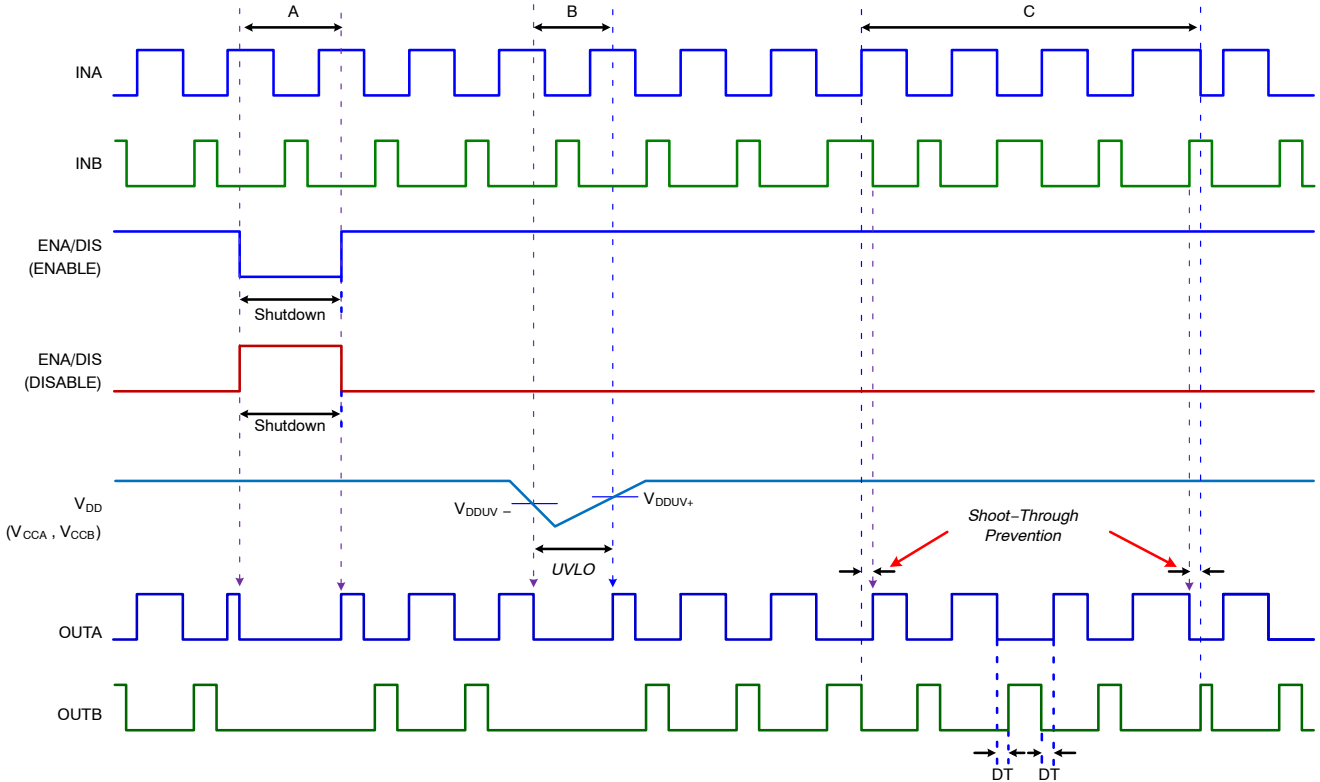


Figure 52. Overall Operating Waveforms Definitions at the Dead-Time Control Mode

Input and Output Logic Table

Table 1 shows an input to output logic table according to the dead time control modes and an enable or disable operation mode.

Table 1. INPUT AND OUTPUT LOGIC TABLE

| INPUT | | | | OUTPUT | | NOTE |
|-----------|-----------|----------------|----------------|--------|------|--|
| INA | INB | ENA/DIS | | OUTA | OUTB | |
| | | ENABLE | DISABLE | | | |
| L | L | H or Left open | L or Left open | L | L | Programmable dead time control with R _{DT} . |
| L | H | H or Left open | L or Left open | L | H | |
| H | L | H or Left open | L or Left open | H | L | |
| H | H | H or Left open | L or Left open | L | L | DT pin is left open Or programmed with R _{DT} . |
| H | H | H or Left open | L or Left open | H | H | DT pin pulled to V _{DD} . |
| Left open | Left open | H or Left open | L or Left open | L | L | |
| X | X | L | H | L | L | |

23. "X" means L, H or left open.

Input Signal Configuration

The NCP51563 allows to set the input signal configuration through the ANB pin for user convenience. There are four operating modes that allow to change the configuration of the input to output channels (e.g. single input – dual output, or dual input – dual output), and select

the shutdown function (e.g. Disable or Enable mode) as below Table 2. Unused input pins (e.g. INA, INB, and ANB) should be tied to GND to achieve better noise immunity.

In addition, the ANB pin has an internal filter time typically 3.3 μ s to achieve the noise immunity.

Table 2. INPUT SIGNAL CONFIGURATION LOGIC TABLE

| Mode | Functional Input Pin | | | | Input Configuration |
|------|----------------------|-----|-----|---------|---|
| | INA | INB | ANB | ENA/DIS | |
| 1 | INA | INB | L | DISABLE | Dual-Input, Dual-Output with disable mode (ENA/DIS = LOW) |
| 2 | INA | X | H | DISABLE | Single-Input (INA), Dual-Output with disable mode(ENA/DIS = LOW) |
| 3 | INA | INB | L | ENABLE | Dual-Input, Dual-Output with enable mode (ENA/DIS = HIGH) |
| 4 | INA | X | H | ENABLE | Single-Input (INA), Dual-Output with enable mode (ENA/DIS = HIGH) |

Figure 53 shows an operating timing chart of input to output and shutdown function according to the ANB and ENA/DIS pins setting. The ENA/DIS and ANB pins are only functional when V_{DD} stays above the specified UVLO threshold. It is recommended to tie these pins to Ground if the ENA/DIS and ANB pins are not used to achieve better noise immunity, and it is recommended to bypass using a 1 nF low ESR/ESL capacitor close to these pins for the DISABLE (e.g. NCP51563xB) mode.

When it is not possible to connect ANB to GND then external pull-down resistor few ten k Ω (e.g. 10~47 k Ω) is recommended to prevent unwanted ANB activation by external interference as despite its internal 3.3 μ s filter.

The OUTA and OUTB works as complementary outputs from PWM input signal on the INA pin regardless the INB signal when the ANB pin is HIGH.

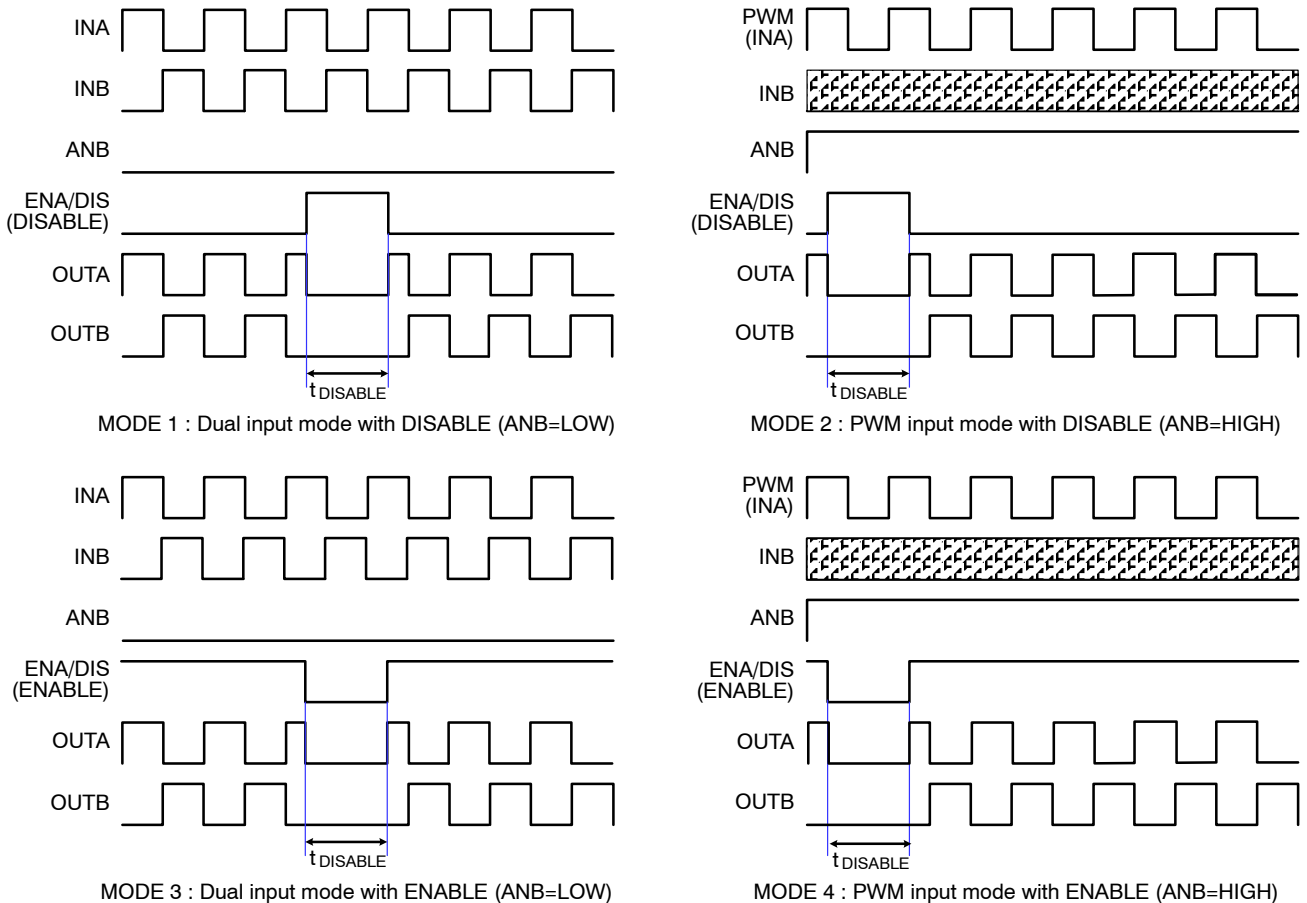


Figure 53. Timing Chart of ENABLE and DISABLE Modes

PROTECTION FUNCTION

The NCP51563 provides the protection features include enable or disable function, Cross Conduction Protection, and Under-Voltage Lockout (UVLO) of power supplies on primary-side (V_{DD}), and secondary-side both channels (V_{CCA} , and V_{CCB}).

Under-Voltage Lockout Protection V_{DD} and V_{CCx}

The NCP51561 provides the Under-Voltage Lockout (UVLO) protection function for V_{DD} in primary-side and both gate drive output for V_{CCA} and V_{CCB} in secondary-side as shown in Figure 54.

The gate driver is running when the V_{DD} supply voltage is greater than the specified under-voltage lockout threshold voltage (e.g. typically 2.8 V) and ENA/DIS pin is HIGH or LOW states for an ENABLE (e.g. NCP51561xA) or the DISABLE (e.g. NCP51561xB) mode respectively.

In addition, both gate output drivers have independent under voltage lockout protection (UVLO) function and each

channel supply voltages in secondary-side (e.g. V_{CCA} , and V_{CCB}) need to be greater than specified UVLO threshold level in secondary-side to let the output operate per input signal. The typical V_{CCx} UVLO threshold voltage levels for each option are per below Table 3.

Table 3. V_{CCx} UVLO OPTION TABLE

| Option | V_{CC} UVLO Level | Unit |
|--------|---------------------|------|
| 5-V | 6.0 | V |
| 8-V | 8.7 | V |
| 13-V | 13 | V |
| 17-V | 17 | V |

UVLO protection has an hysteresis to provide immunity to short V_{CC} drops that can occur.

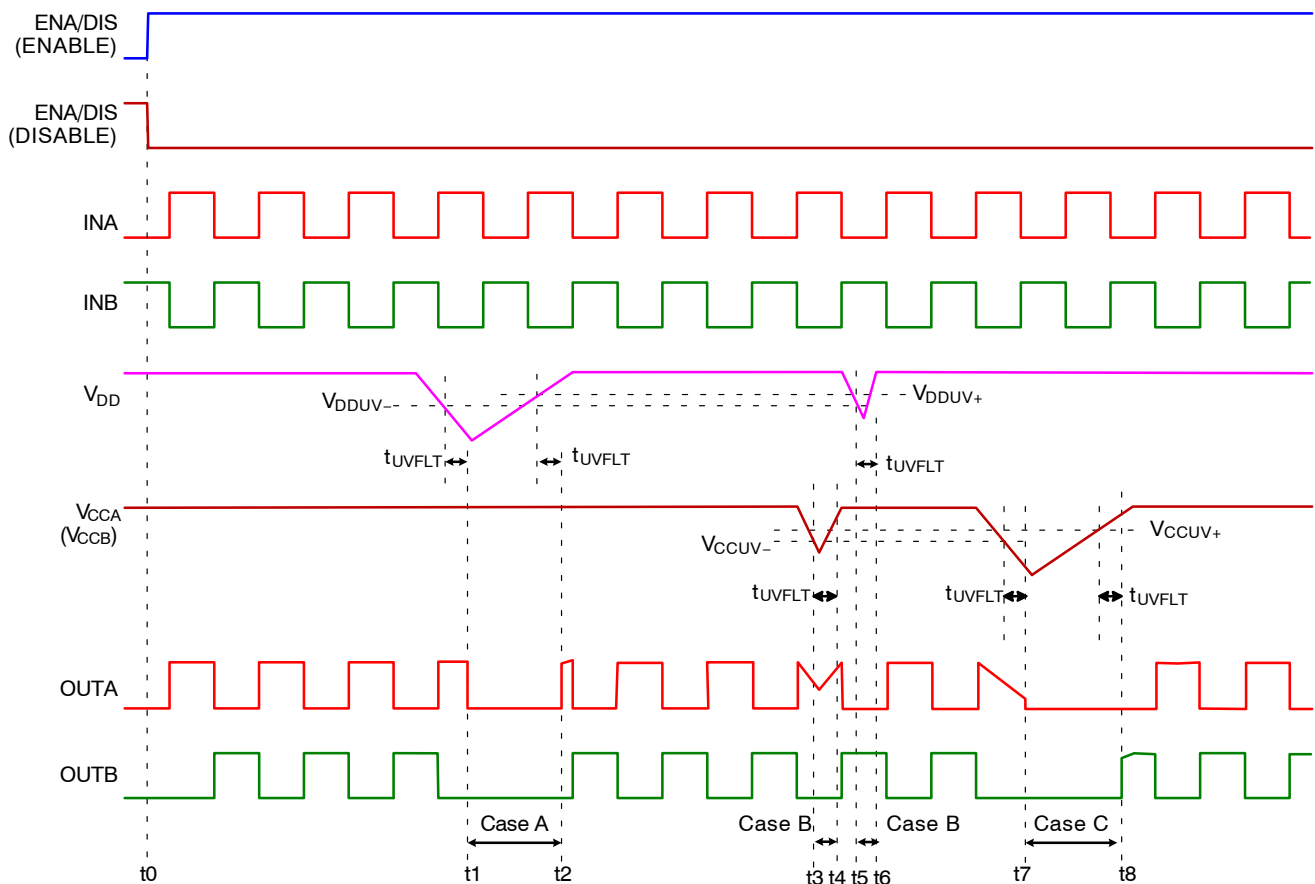


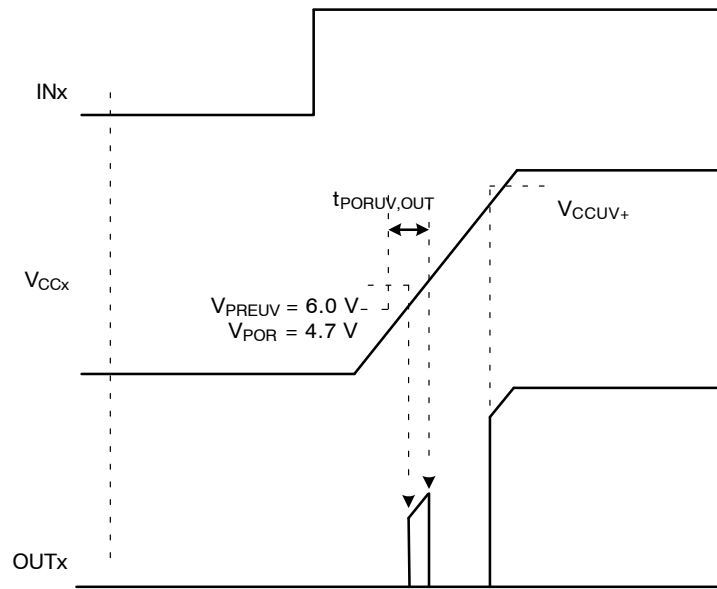
Figure 54. Timing Chart Under-Voltage Lockout Protection

NCP51563

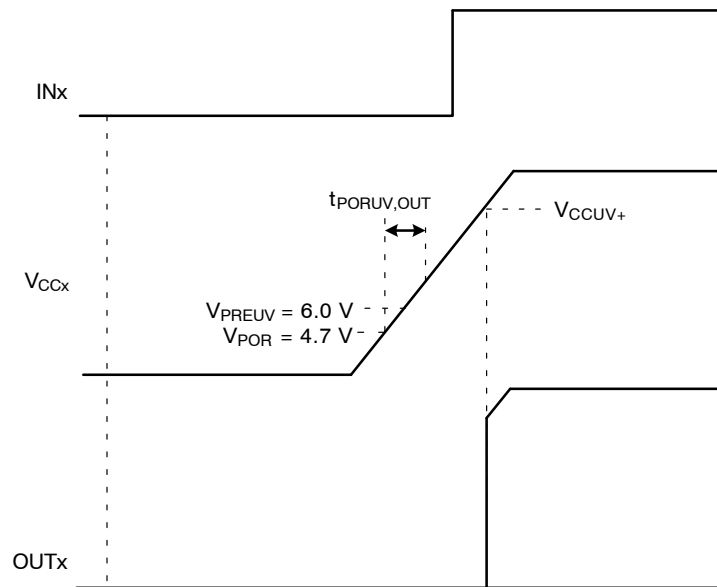
V_{CCX} Power-Up and IN_X Signal

To provide a variety of Under-Voltage Lockout (UVLO) thresholds NCP51563 has a power-up delay time during initial V_{CCX} start-up or after POR event.

In case IN_X pins are active when V_{CCX} is above 4.7 V, outputs would occur until settling time has elapsed as shown in Figure 55 (A). If IN_X are only active after settling time has expired, outputs won't be active until V_{CCX} cross NCP51561 specific V_{CCUV+} as shown in Figure 55 (B).



A. Power up with PWM signals during Preset



B. Power up without PWM signals during Preset

Figure 55. V_{CCX} Power-up

Cross-Conduction Prevention and Allowed Overlapped Operation

The cross conduction prevents both high- and low-side switches from conducting at the same time when the dead time (DT) control mode is in half-bridge type, as shown in Figure 56.

For full topologies flexibility, cross conduction can be allowed both high- and low-side switches conduct at the same time when the DT pin is pulled to V_{DD} for example, as shown in Figure 57.

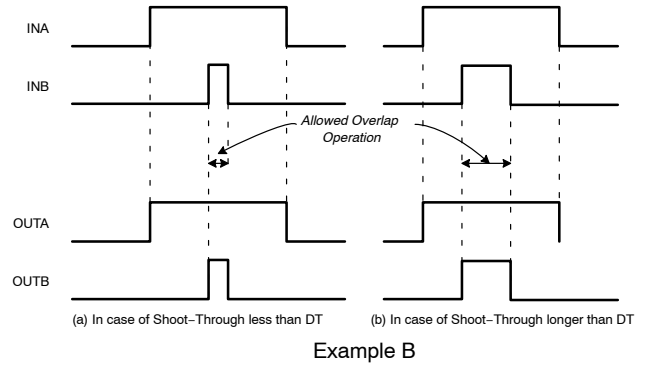
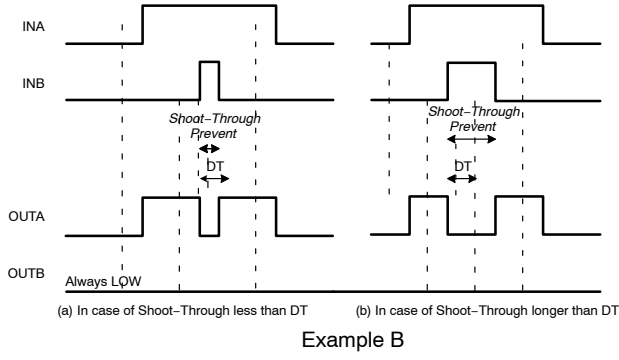
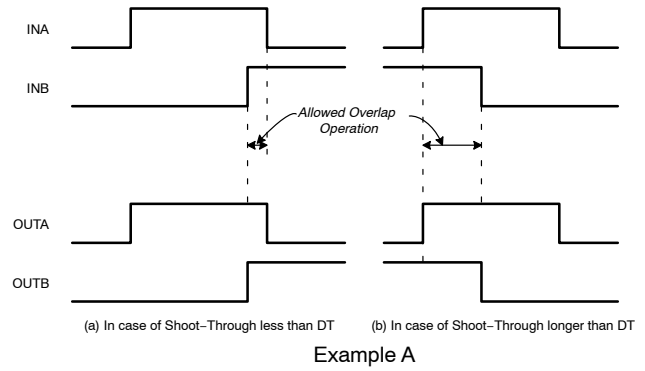
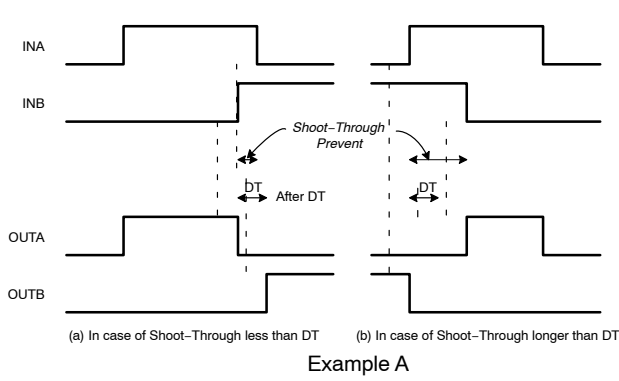


Figure 56. Concept of Shoot-Through Prevention

Figure 57. Concept of Allowed the Shoot-Through

Programmable Dead Time Control

Cross-conduction between both driver outputs (OUTA, and OUTB) is not allowed with minimum dead time (t_{DTMIN}) typically 10 ns when the DT pin is open in the *MODE-A*. External resistance (R_{DT}) controls dead time when the DT pin resistor between 1 k Ω and 300 k Ω in the

MODE-B. Overlap is not allowed when the dead time (DT) control mode is activated.

The dead time (DT) between both outputs is set according to: DT (in ns) = 10 x R_{DT} (in k Ω).

Overlap is allowed for both outputs when the DT pin is pulled to V_{DD} in the *MODE-C*, as shown in Figure 58.

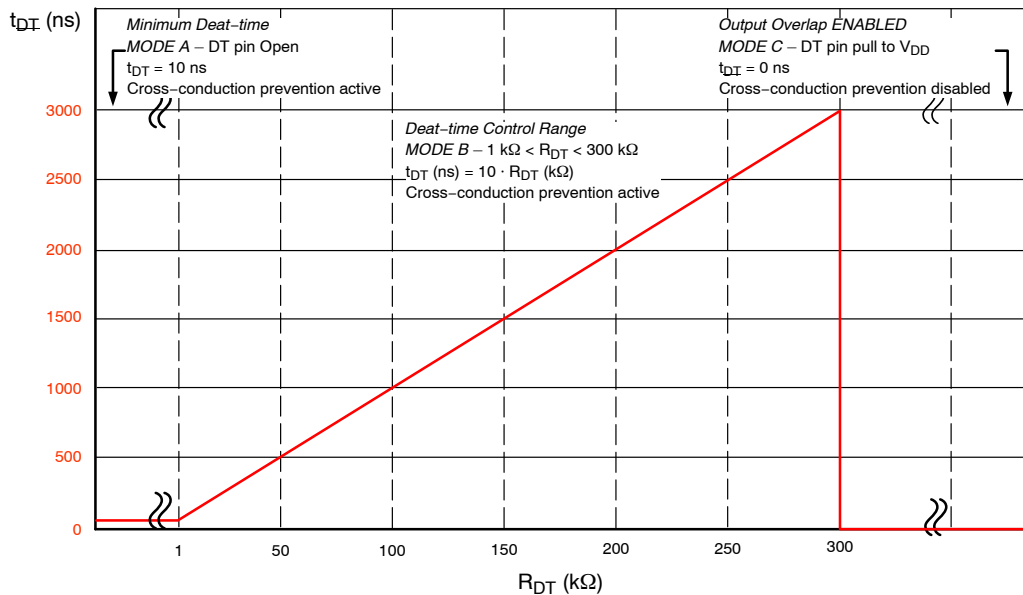


Figure 58. Timing Chart of Dead-Time Mode Control

Common Mode Transient Immunity Testing

Figure 59 is a simplified diagram of the Common Mode Transient Immunity (CMTI) testing configuration.

CMTI is the maximum sustainable common-mode voltage slew rate while maintaining the correct output.

CMTI applies to both rising and falling common-mode voltage edges. CMTI is tested with the transient generator connected between GND and V_{SSA} and V_{SSB} . ($V_{CM} = 1500\text{ V}$).

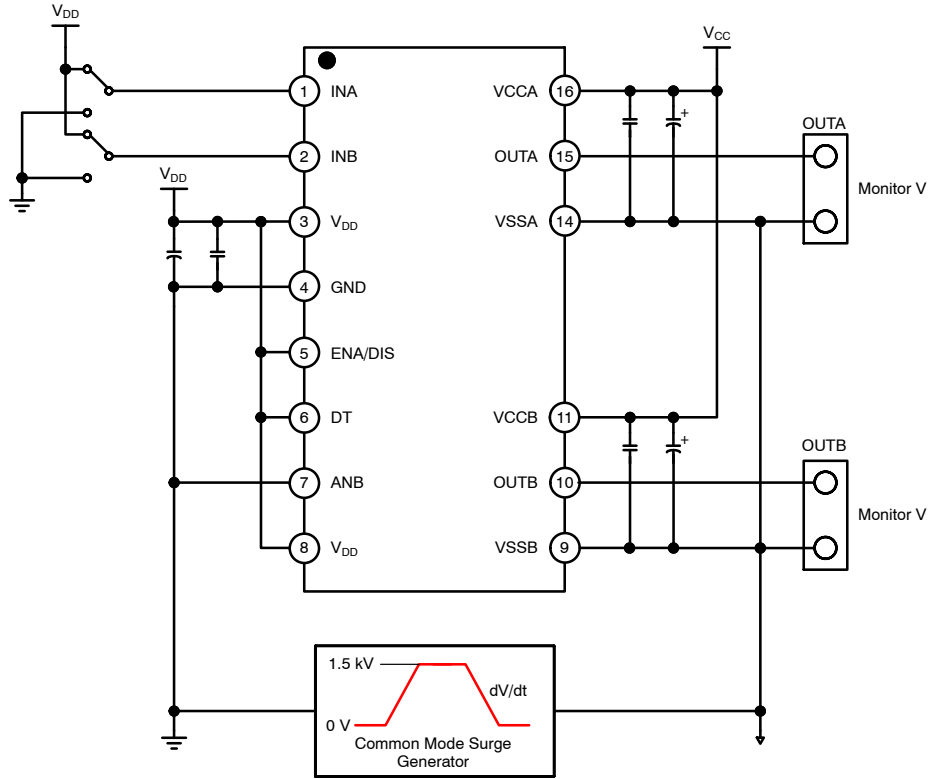


Figure 59. Common Mode Transient Immunity Test Circuit

APPLICATION INFORMATION

This section provides application guidelines when using the NCP51563.

Power Supply Recommendations

It is important to remember that during the Turn-On of switch the output current to the gate is drawn from the V_{CCA} and V_{CCB} supply pins. The V_{CCA} and V_{CCB} pins should be bypassed with a capacitor with a value of at least ten times the gate capacitance, and no less than 100 nF and located as close to the device as possible for the purpose of decoupling. A low ESR, ceramic surface mount capacitor is necessary. We recommend using 2 capacitors; a 100 nF ceramic surface-mount capacitor which can be very close to the pins of the device, and another surface-mount capacitor of few microfarads added in parallel.

In addition, it is recommended to provide various V_{CCX} Under-Voltage Lockout voltage options (e.g. 8-V, or 13-V), the V_{CCX} rising time from 5-V to 6-V should be at least 16 μ s or above at initial start-up.

Input Stage

The input signal pins (INA, INB, ANB, and ENA/DIS) of the NCP51563 are based on the TTL compatible input-threshold logic that is independent of the V_{DD} supply voltage. The logic level compatible input provides a typically high and low threshold of 1.6 V and 1.1 V respectively. The input signal pins impedance of the NCP51563 is 200 k Ω typically and the INA, INB, and ANB pins are pulled to GND pin and ENA/DIS pin is pulled to V_{DD} pin for an ENABLE version as shown in Figure 60. Conversely, ENA/DIS pin pulled to GND pin for the DISABLE version. It is recommended that ENA/DIS pin should be tie to V_{DD} or GND pins for ENABLE and DISABLE versions respectively if the ENA/DIS pin is not used to achieve better noise immunity because the ENA/DIS pin is quite responsive, as far as propagation delay and other switching parameters are concerned.

An RC filter is recommended to be added on the input signal pins to reduce the impact of system noise and ground bounce, the time constant of the RC filter. Such a filter should use an R_{IN} in the range of 0 Ω to 100 Ω and a C_{IN} between 10 pF and 100 pF. In the example, an $R_{IN} = 51 \Omega$ and a $C_{IN} = 33$ pF are selected, with a corner frequency of approximately 100 MHz. When selecting these components, it is important to pay attention to the trade-off between good noise immunity and propagation delay.

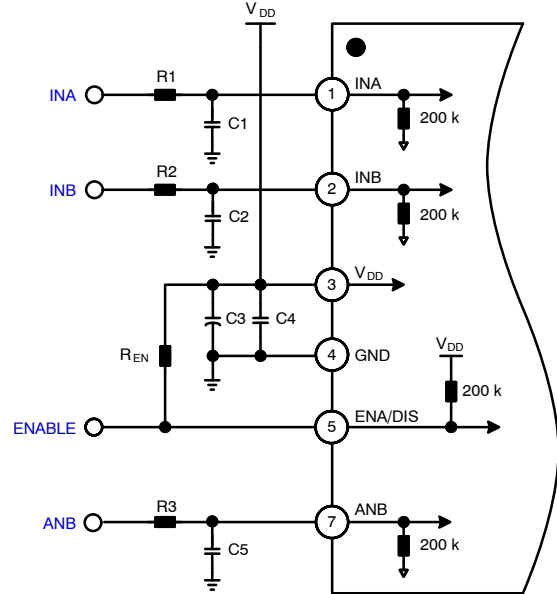


Figure 60. Schematic of Input Stage

Output Stage

The output driver stage of the NCP51563 features a pull up structure and a pull down structure.

The pull up structure of the NCP51563 consists of a PMOS stage ensuring to pull all the way to the V_{CC} rail. The pull down structure of the NCP51563 consists of a NMOS device as shown in Figure 61.

The output impedance of the pull up and pull down switches shall be able to provide about +4.5 A and -9 A peak currents typical at 25°C and the minimum sink and source peak currents at -40°C are -7 A sink and +2.6 A source.

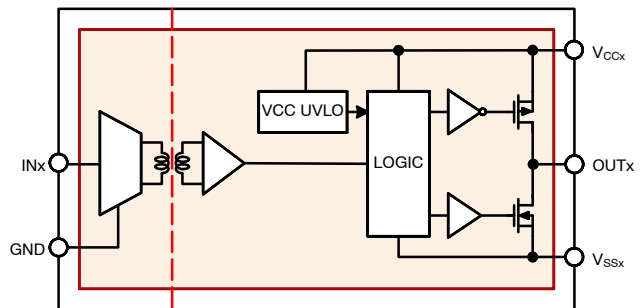


Figure 61. Schematic of Output Stage

Consideration of Driving Current Capability

Peak source and sink currents (I_{SOURCE} , and I_{SINK}) capability should be larger than average current ($I_{G,AV}$) as shown in Figure 62.

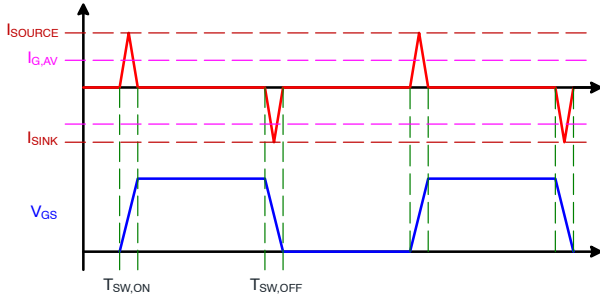


Figure 62. Definition of Current Driving Capability

The approximate maximum gate charge Q_G that can be switched in the indicated time for each driver current rating may be calculate: Needed driver current ratings depend on what gate charge Q_G must be moved in what switching time $t_{SW-ON/OFF}$ because average gate current during switching is I_G .

$$I_{G,AV} = \frac{Q_G}{t_{SW,ON/OFF}} \quad (\text{eq. 1})$$

The approximate gate driver source and sink peak currents can be calculated as below equations.

At turn-on (Sourcing current)

$$I_{SOURCE} \geq 1.5 \times \frac{Q_G}{t_{SW,ON}} \quad (\text{eq. 2})$$

At turn-off (Sinking current)

$$I_{SINK} \geq 1.5 \times \frac{Q_G}{t_{SW,OFF}} \quad (\text{eq. 3})$$

where, Q_G = Gate charge at $V_{GS} = V_{CC}$
 $t_{SW, ON/OFF}$ = Switch On / Off time
 1.5 = empirically determined factor
 (Influenced by $I_{G,AV}$ vs. I_{DRV} , and circuit parasitic)

Consideration of Gate Resistor

The gate resistor is also sized to reduce ringing voltage by parasitic inductances and capacitances. However, it limits the current capability of the gate driver output. The limited current capability value induced by turn-on and off gate resistors can be obtained with below equation.

$$I_{SOURCE} = \frac{V_{CC} - V_{OH}}{R_{G,ON}}$$

$$I_{SINK} = \frac{V_{CC} - V_{OL}}{R_{G,OFF}} \quad (\text{eq. 4})$$

where:

I_{SOURCE} : Source peak current

I_{SINK} : Sink peak current.

V_{OH} : High level output voltage drop

V_{OL} : Low level output voltage drop

Application Circuits with Output Stage Negative Bias

SiC MOSFET unique operating characteristics need to be carefully considered to fully benefits from SiC characteristics. The gate driver needs to be capable of providing +20 V and -2 V to -5 V negative bias with minimum output impedance and high current capability.

When parasitic inductances are introduced by non-ideal PCB layout and long package leads (e.g. TO-220 and TO-247 type packages), there could be ringing in the gate-source drive voltage of the power transistor during high di/dt and dv/dt switching. If the ringing is over the threshold voltage, there is the risk of unintended turn-on and even shoot-through. Applying a negative bias on the gate drive is a popular way to keep such ringing below the threshold. Negative voltage can improve the noise tolerance of SiC MOSFET to suppress turning it unintentionally. The negative gate-source voltage makes the capacitance of C_{gd} becoming lower, which can reduce the ringing voltage.

Below are a few examples of implementing negative gate drive bias. The first example with negative bias with two isolated-bias power supplies as shown in Figure 63.

Power supply V_{Hx} determines the positive drive output voltage and V_{Lx} determines the negative turn-off voltage for each channels. This solution requires more power supplies than the conventional bootstrapped power supply example; however, it provides more flexibility when setting the positive, V_{Hx} , and negative, V_{Lx} , rail voltages.

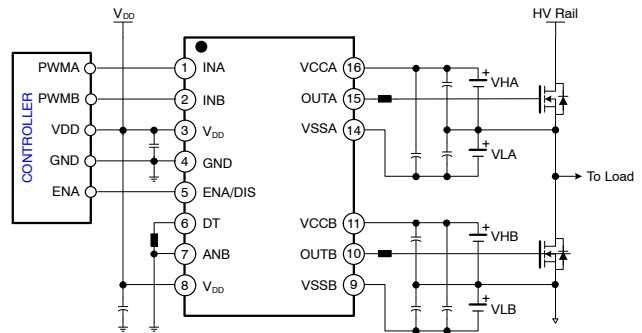


Figure 63. Negative Bias with Two Isolated-Bias Power Supplies

Figure 64 shows another example with negative bias turn-off on the gate driver using a Zener diode on an isolated power supply. The negative bias set by the voltage of Zener diode.

For example, if the isolated power supply, V_{Hx} for each channels, the turn-off voltage will be -5.1 V and turn-on voltage will be $20\text{ V} - 5.1\text{ V} \approx 15\text{ V}$.

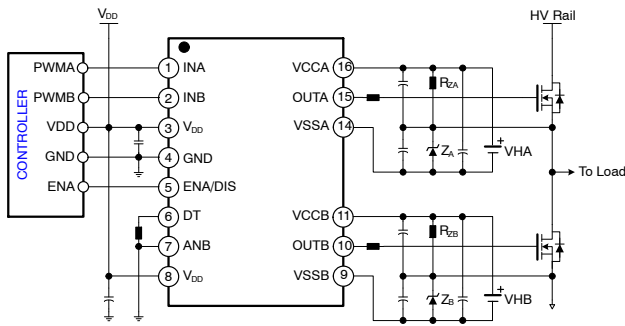


Figure 64. Negative Bias with Zener Diode on Single Isolated-Bias Power Supply

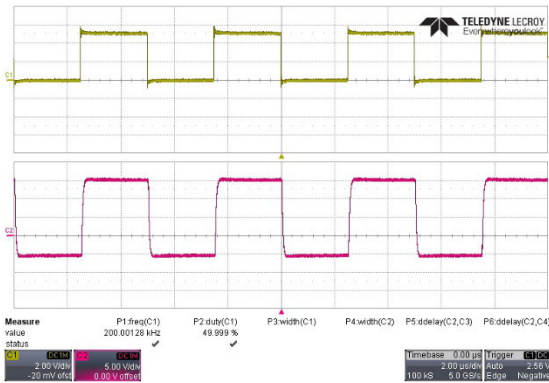
Moreover, this configuration could easily be changed negative bias by a using different Zener diode with the same 20 V isolated power supply. This configuration needs two isolated power supplies for a half-bridge configuration, but this scheme is very simple.

However, it has the disadvantage of having a steady state power consumption from R_{Zx} . Therefore, one should be careful in selecting the R_{Zx} values. It is recommended that R_{Zx} allow the minimal current flow to stabilize the Zener clamping voltage (e.g. I_Z : 5 mA~10 mA).

Typical recommended values are in the few kohm range (e.g. 1 k Ω ~4.7 k Ω) of SiC MOSFETs application.

Experimental Results

Figure 65 show the experimental results of the negative bias with Zener diode on single isolated power supply of the NCP51563 for SiC MOSFET gate drive application. The examples were design to have a +15 V and -5.1 V drive power supply referenced to the device source by using the 20 V isolated power supply.



CH1: INPUT [2 V/div], and CH2: OUTPUT [5 V/div]

Figure 65. Experimental Waveforms of Negative Bias with Zener Diode on Single Isolated Power Supply

PCB LAYOUT GUIDELINE

To improve the switching characteristics and efficiency of design, the following should be considered before beginning a PCB layout.

Component Placement

- Keep the input/output traces as short as possible. Minimize influence of the parasitic inductance and capacitance on the layout. (To maintain low signal-path inductance, avoid using via.)
- Placement and routing for supply bypass capacitors for V_{DD} and V_{CCx} , and gate resistors need to be located as close as possible to the gate driver.
- The gate driver should be located switching device as close as possible to decrease the trace inductance and avoid output ringing.

Grounding Consideration

- Have a solid ground plane underneath the high-speed signal layer.
- Have a solid ground plane next to V_{SSA} and V_{SSB} pins with multiple V_{SSA} and V_{SSB} vias to reduce the parasitic inductance and minimize the ringing on the output signals.

High-Voltage (V_{ISO}) Consideration

- To ensure isolation performance between the primary and secondary side, any PCB traces or copper should be not place under the driver device as shown in Figure 66. A PCB cutout is recommended in order to prevent contamination that may impair the isolation performance of NCP51563.

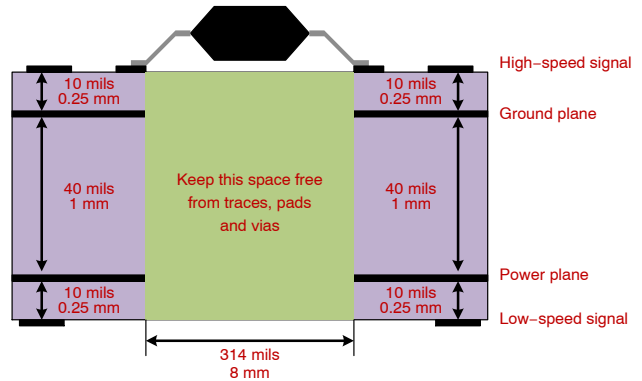
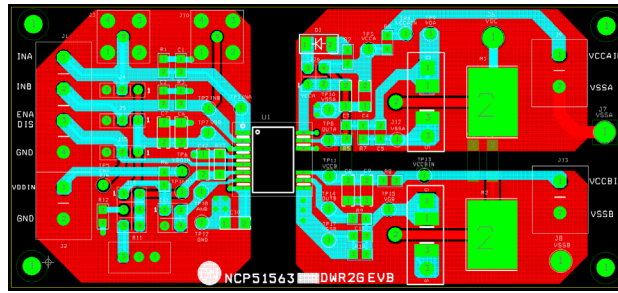


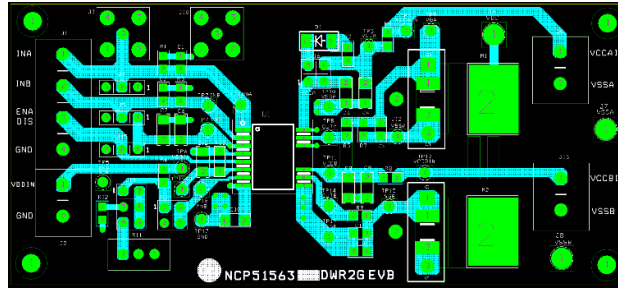
Figure 66. Recommended Layer Stack

Figure 67 shows the printed circuit board layout of NCP51563 evaluation board.

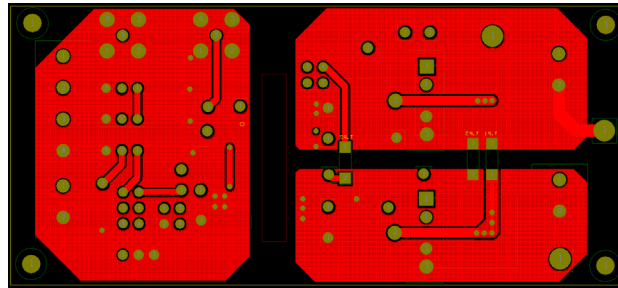
NCP51563



(a) Top & Bottom View



(b) Top View



(c) Bottom View

Figure 67. Printed Circuit Board

ORDERING INFORMATION

| Device | Description | Package | UVLO | ENA/DIS | Shipping [†] |
|------------------|---------------------------------------|----------------------|------|---------|-----------------------|
| NCP51563AADWR2G* | High current dual isolated MOS driver | SOIC-16 WB (Pb-Free) | 5 V | ENABLE | 1000 / Tape & Reel |
| NCP51563ABDWR2G* | | SOIC-16 WB (Pb-Free) | 5 V | DISABLE | 1000 / Tape & Reel |
| NCP51563BADWR2G* | | SOIC-16 WB (Pb-Free) | 8 V | ENABLE | 1000 / Tape & Reel |
| NCP51563BBDWR2G | | SOIC-16 WB (Pb-Free) | 8 V | DISABLE | 1000 / Tape & Reel |
| NCP51563CADWR2G | | SOIC-16 WB (Pb-Free) | 13 V | ENABLE | 1000 / Tape & Reel |
| NCP51563CBDWR2G* | | SOIC-16 WB (Pb-Free) | 13 V | DISABLE | 1000 / Tape & Reel |
| NCP51563DADWR2G* | | SOIC-16 WB (Pb-Free) | 17 V | ENABLE | 1000 / Tape & Reel |
| NCP51563DBDWR2G* | | SOIC-16 WB (Pb-Free) | 17 V | DISABLE | 1000 / Tape & Reel |

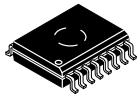
[†]For information on tape and reel specifications, including part orientation and tape sizes, please refer to our Tape and Reel Packaging Specifications Brochure, BRD8011/D.

*Option on demand

MECHANICAL CASE OUTLINE

PACKAGE DIMENSIONS

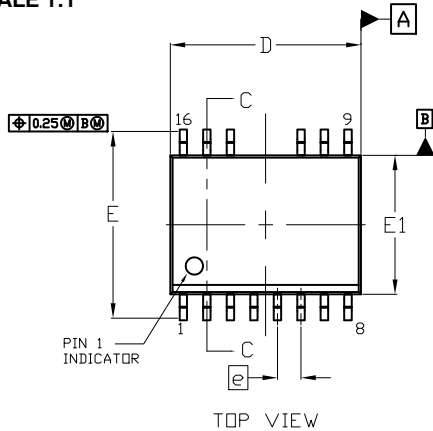
ON Semiconductor®



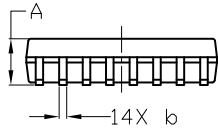
1
SCALE 1:1

SOIC-16 WB LESS PINS 12 & 13 CASE 752AJ ISSUE 0

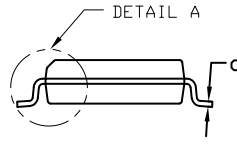
DATE 17 FEB 2021



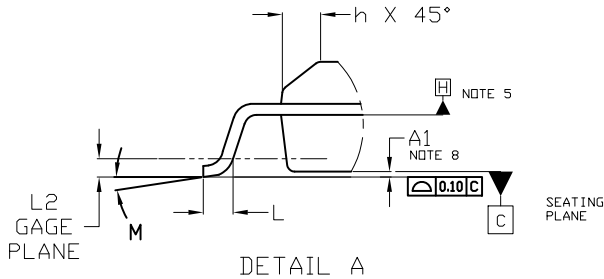
TOP VIEW



SIDE VIEW



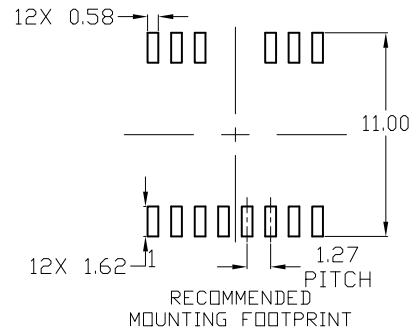
SECTION C-C



DETAIL A

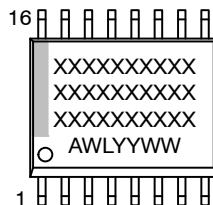
- NOTES:
1. DIMENSIONING AND TOLERANCING PER ASME Y14.5M, 2009.
 2. CONTROLLING DIMENSION: MILLIMETERS.
 3. DIMENSION b DOES NOT INCLUDE DAMBAR PROTRUSION. ALLOWABLE PROTRUSION SHALL BE 0.15 IN EXCESS OF MAXIMUM MATERIAL CONDITION.
 4. DIMENSION D DOES NOT INCLUDE MOLD FLASH, PROTRUSIONS, OR GATE BURRS. MOLD FLASH, PROTRUSIONS, OR GATE BURRS SHALL NOT EXCEED 0.15 PER SIDE. DIMENSION E1 DOES NOT INCLUDE INTERLEAD FLASH OR PROTRUSION. INTERLEAD FLASH OR PROTRUSION SHALL NOT EXCEED 0.15 mm PER SIDE.
 5. THE PACKAGE TOP MAY BE SMALLER THAN THE PACKAGE BOTTOM. DIMENSIONS D AND E1 ARE DETERMINED AT THE OUTERMOST EXTREMES OF THE PLASTIC BODY AT DATUM H.
 6. DATUMS A AND B ARE TO BE DETERMINED AT DATUM H.
 7. DIMENSIONS b AND c APPLY TO THE FLAT SECTION OF THE LEAD BETWEEN 0.10 TO 0.25 FROM THE LEAD TIP.
 8. A1 IS DEFINED AS THE VERTICAL DISTANCE FROM THE SEATING PLANE TO THE LOWEST POINT ON THE PACKAGE BODY.

| DIM | MILLIMETERS | | |
|-----|-------------|-------|-------|
| | MIN. | NOM. | MAX. |
| A | 2.35 | 2.50 | 2.65 |
| A1 | 0.10 | 0.18 | 0.25 |
| b | 0.35 | 0.42 | 0.49 |
| c | 0.25 REF | | |
| D | 10.15 | 10.30 | 10.45 |
| E | 10.05 | 10.30 | 10.55 |
| E1 | 7.40 | 7.50 | 7.60 |
| e | 1.27 BSC | | |
| h | 0.25 | --- | 0.75 |
| L | 0.50 | --- | 0.90 |
| L2 | 0.25 REF | | |
| M | 0° | --- | 7° |



For additional information on our Pb-Free strategy and soldering details, please download the ON Semiconductor Soldering and Mounting Techniques Reference Manual, SOLDERM/D.

GENERIC MARKING DIAGRAM*



XXXXX = Specific Device Code
A = Assembly Location
WL = Wafer Lot
YY = Year
WW = Work Week

*This information is generic. Please refer to device data sheet for actual part marking. Pb-Free indicator, "G" or microdot "•", may or may not be present. Some products may not follow the Generic Marking.

| | | |
|-------------------------|---|--|
| DOCUMENT NUMBER: | 98AON30578H | Electronic versions are uncontrolled except when accessed directly from the Document Repository. Printed versions are uncontrolled except when stamped "CONTROLLED COPY" in red. |
| DESCRIPTION: | SOIC-16 WB LESS PINS 12 & 13 | PAGE 1 OF 1 |

ON Semiconductor and ON are trademarks of Semiconductor Components Industries, LLC dba ON Semiconductor or its subsidiaries in the United States and/or other countries. ON Semiconductor reserves the right to make changes without further notice to any products herein. ON Semiconductor makes no warranty, representation or guarantee regarding the suitability of its products for any particular purpose, nor does ON Semiconductor assume any liability arising out of the application or use of any product or circuit, and specifically disclaims any and all liability, including without limitation special, consequential or incidental damages. ON Semiconductor does not convey any license under its patent rights nor the rights of others.

onsemi, **Onsemi**, and other names, marks, and brands are registered and/or common law trademarks of Semiconductor Components Industries, LLC dba "**onsemi**" or its affiliates and/or subsidiaries in the United States and/or other countries. **onsemi** owns the rights to a number of patents, trademarks, copyrights, trade secrets, and other intellectual property. A listing of **onsemi**'s product/patent coverage may be accessed at www.onsemi.com/site/pdf/Patent-Marking.pdf. **onsemi** reserves the right to make changes at any time to any products or information herein, without notice. The information herein is provided "as-is" and **onsemi** makes no warranty, representation or guarantee regarding the accuracy of the information, product features, availability, functionality, or suitability of its products for any particular purpose, nor does **onsemi** assume any liability arising out of the application or use of any product or circuit, and specifically disclaims any and all liability, including without limitation special, consequential or incidental damages. Buyer is responsible for its products and applications using **onsemi** products, including compliance with all laws, regulations and safety requirements or standards, regardless of any support or applications information provided by **onsemi**. "Typical" parameters which may be provided in **onsemi** data sheets and/or specifications can and do vary in different applications and actual performance may vary over time. All operating parameters, including "Typicals" must be validated for each customer application by customer's technical experts. **onsemi** does not convey any license under any of its intellectual property rights nor the rights of others. **onsemi** products are not designed, intended, or authorized for use as a critical component in life support systems or any FDA Class 3 medical devices or medical devices with a same or similar classification in a foreign jurisdiction or any devices intended for implantation in the human body. Should Buyer purchase or use **onsemi** products for any such unintended or unauthorized application, Buyer shall indemnify and hold **onsemi** and its officers, employees, subsidiaries, affiliates, and distributors harmless against all claims, costs, damages, and expenses, and reasonable attorney fees arising out of, directly or indirectly, any claim of personal injury or death associated with such unintended or unauthorized use, even if such claim alleges that **onsemi** was negligent regarding the design or manufacture of the part. **onsemi** is an Equal Opportunity/Affirmative Action Employer. This literature is subject to all applicable copyright laws and is not for resale in any manner.

ADDITIONAL INFORMATION

TECHNICAL PUBLICATIONS:

Technical Library: www.onsemi.com/design/resources/technical-documentation
onsemi Website: www.onsemi.com

ONLINE SUPPORT: www.onsemi.com/support

For additional information, please contact your local Sales Representative at www.onsemi.com/support/sales

X-ON Electronics

Largest Supplier of Electrical and Electronic Components

Click to view similar products for [Galvanically Isolated Gate Drivers](#) category:

Click to view products by [ON Semiconductor](#) manufacturer:

Other Similar products are found below :

[NCP51561DADWR2G](#) [TPSI3052QDWZRQ1](#) [SI82521AD-AS3](#) [ADUM4135BRWZ-RL](#) [ADUM4146BRWZ-RL](#) [AHV85110KNHTR](#)
[1ED3140MU12FXUMA1](#) [1ED3141MU12FXUMA1](#) [1ED3142MU12FXUMA1](#) [2EDL8033G4BXTMA1](#) [2EDL8033G4CXTMA1](#)
[2EDL8034G4CXTMA1](#) [2EDL8034G4BXTMA1](#) [2EDL8034G3CXTMA1](#) [2EDL8033G3CXTMA1](#) [MGD3162AM550EKT](#)
[MGD3162AM551EKT](#) [NCP51560BBDWR2G](#) [NCD57530DWKR2G](#) [NCD57540DWKR2G](#) [NCP51560ABDWR2G](#) [NCV51563CADWR2G](#)
[NCV57530DWKR2G](#) [NCV57540DWKR2G](#) [NCV51561BBDWR2G](#) [NCD57101DWR2G](#) [NCP51563BBDWR2G](#) [NCV51563BBDWR2G](#)
[NCV5707BDR2G](#) [R2A25110KSP#U50](#) [BM61M22BFJ-CE2](#) [TPSI3050DWZR](#) [TPSI3052SQDWZRQ1](#) [TPSI3050SDWZR](#)
[TPSI3050SQDWZRQ1](#) [UCC21717QDWRQ1](#) [UCC21737QDWRQ1](#) [UCC21756QDWRQ1](#) [UCC21755QDWRQ1](#) [UCC5871QDWJRQ1](#)