

NCP81145

VR12.5 Compatible Synchronous Buck MOSFET Driver

The NCP81145 is a high performance dual MOSFET gate driver optimized to drive the gates of both high-side and low-side power MOSFETs in a synchronous buck converter. It can drive up to 3 nF load with a 25 ns propagation delay and 20 ns transition time.

Adaptive anti-cross-conduction and power saving operation circuit can provide a low switching loss and high efficiency solution for notebook systems.

The UVLO function guarantees the outputs are low when the supply voltage is low.

Features

- Faster Rise and Fall Times
- Adaptive Anti-Cross-Conduction Circuit
- Zero Cross Detection function
- Output Disable Control Turns Off Both MOSFETs
- Undervoltage Lockout
- Power Saving Operation Under Light Load Conditions
- Direct Interface to NCP6131 and Other Compatible PWM Controllers
- Thermally Enhanced Package
- These Devices are Pb-Free, Halogen Free/BFR Free and are RoHS Compliant

Typical Applications

- Power Management Solutions for Notebook systems



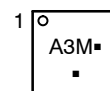
ON Semiconductor®

<http://onsemi.com>



DFN8
CASE 506AA

MARKING DIAGRAM



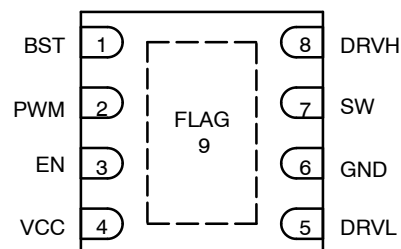
A3 = Specific Device Code

M = Date Code

▪ = Pb-Free Package

(*Note: Microdot may be in either location)

PINOUT DIAGRAM



ORDERING INFORMATION

| Device | Package | Shipping† |
|---------------|-------------------|-----------------------|
| NCP81145MNTBG | DFN8 (Pb-Free) | 3000 / Tape & Reel |

†For information on tape and reel specifications, including part orientation and tape sizes, please refer to our Tape and Reel Packaging Specifications Brochure, BRD8011/D.

NCP81145

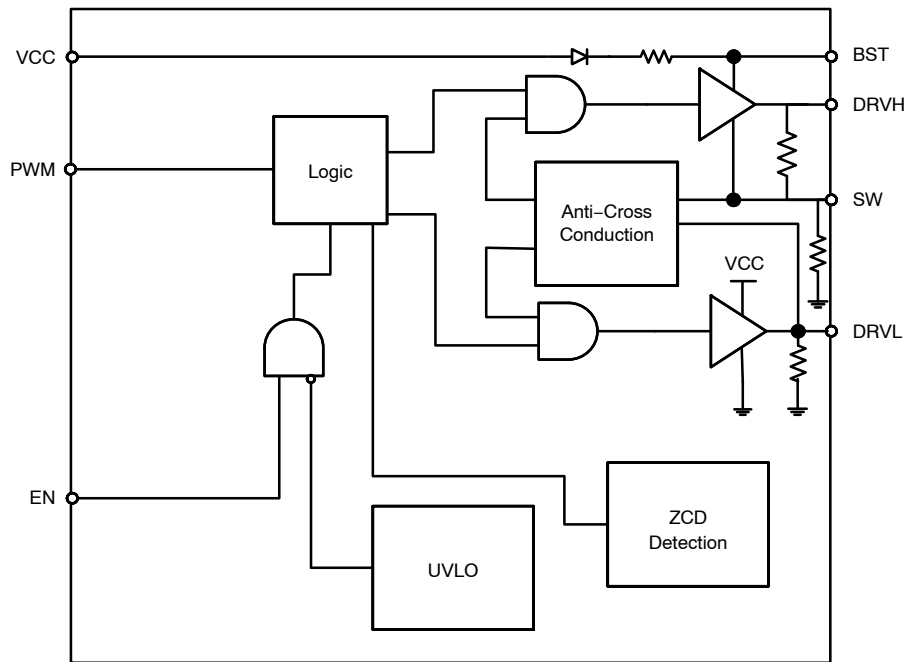


Figure 1. Block Diagram

PIN DESCRIPTIONS

| Pin No. | Symbol | Description |
|---------|--------|--|
| 1 | BST | Floating bootstrap supply pin for high side gate driver. Connect the bootstrap capacitor between this pin and the SW pin. |
| 2 | PWM | Control input. The PWM signal has three distinctive states: Low = Low Side FET Enabled, Mid = Diode Emulation Enabled, High = High Side FET Enabled. |
| 3 | EN | Logic input. A logic high to enable the part and a logic low to disable the part. Three states logic input: EN = High to enable the gate driver; EN = Low to disable the driver; EN = Mid to go into diode mode (both high and low side gate drive signals are low) |
| 4 | VCC | Power supply input. Connect a bypass capacitor (0.1 μ F) from this pin to ground. |
| 5 | DRVL | Low side gate drive output. Connect to the gate of low side MOSFET. |
| 6 | GND | Bias and reference ground. All signals are referenced to this node. |
| 7 | SW | Switch node. Connect this pin to the source of the high side MOSFET and drain of the low side MOSFET. |
| 8 | DRVH | High side gate drive output. Connect to the gate of high side MOSFET. |
| 9 | FLAG | Thermal flag. There is no electrical connection to the IC. Connect to ground plane. |

NCP81145

ABSOLUTE MAXIMUM RATINGS

ELECTRICAL INFORMATION

| Symbol | Pin Name | V _{MAX} | V _{MIN} |
|-----------------|--|---|---|
| V _{CC} | Main Supply Voltage Input | 6.5 V | -0.3 V |
| BST | Bootstrap Supply Voltage | 35 V wrt/ GND 40 V ≤ 50 ns wrt/ GND 6.5 V wrt/ SW | -0.3 V wrt/SW |
| SW | Switching Node (Bootstrap Supply Return) | 35 V 40 V ≤ 50 ns | -5 V -10 V (200 ns) |
| DRVH | High Side Driver Output | BST + 0.3 V | -0.3 V wrt/SW -2 V (< 200 ns) wrt/SW |
| DRVL | Low Side Driver Output | V _{CC} + 0.3 V | -0.3 V DC -5 V (< 200 ns) |
| PWM | DRVH and DRVL Control Input | 6.5 V | -0.3 V |
| EN | Enable Pin | 6.5 V | -0.3 V |
| GND | Ground | 0 V | 0 V |

Stresses exceeding Maximum Ratings may damage the device. Maximum Ratings are stress ratings only. Functional operation above the Recommended Operating Conditions is not implied. Extended exposure to stresses above the Recommended Operating Conditions may affect device reliability.

*All signals referenced to AGND unless noted otherwise.

THERMAL INFORMATION

| Symbol | Parameter | Value | Unit |
|------------------|---|-------------|------|
| R _{θJA} | Thermal Characteristic QFN Package (Note 1) | 119 | °C/W |
| T _J | Operating Junction Temperature Range (Note 2) | -40 to +150 | °C |
| T _A | Operating Ambient Temperature Range | -40 to +125 | °C |
| T _{STG} | Maximum Storage Temperature Range | -55 to +150 | °C |
| MSL | Moisture Sensitivity Level – QFN Package | 1 | |

*The maximum package power dissipation must be observed.

- 1 in² Cu, 1 oz. thickness.
- JESD 51-7 (1S2P Direct-Attach Method) with 1 LFM.

NCP81145

NCP81145 ELECTRICAL CHARACTERISTICS ($-40^{\circ}\text{C} < T_A < +125^{\circ}\text{C}$; $4.5\text{ V} < V_{CC} < 5.5\text{ V}$, $4.5\text{ V} < \text{BST-SWN} < 5.5\text{ V}$, $4.5\text{ V} < \text{BST} < 30\text{ V}$, $0\text{ V} < \text{SWN} < 21\text{ V}$, unless otherwise noted)

| Parameter | Test Conditions | Min | Typ | Max | Unit |
|-----------|-----------------|-----|-----|-----|------|
|-----------|-----------------|-----|-----|-----|------|

SUPPLY VOLTAGE

| | | | | | |
|-----------------------|--|-----|--|-----|---|
| VCC Operation Voltage | | 4.5 | | 5.5 | V |
|-----------------------|--|-----|--|-----|---|

UNDERVOLTAGE LOCKOUT

| | | | | | |
|---------------------|--|-----|------|-----|----|
| VCC Start Threshold | | 3.8 | 4.35 | 4.5 | V |
| VCC UVLO Hysteresis | | 150 | 200 | 250 | mV |

SUPPLY CURRENT

| | | | | | |
|-----------------|---|--|-----|----|---------------|
| Shutdown Mode | $I_{CC} + I_{BST}$, EN = GND | | 11 | 20 | μA |
| Normal Mode | $I_{CC} + I_{BST}$, EN = 5 V, PWM = OSC | | 4.7 | | mA |
| Standby Current | $I_{CC} + I_{BST}$, EN = HIGH, PWM = LOW, No loading on DRVH & DRVL | | 0.9 | | mA |
| Standby Current | $I_{CC} + I_{BST}$, EN = HIGH, PWM = HIGH, No loading on DRVH & DRVL | | 1.1 | | mA |

BOOTSTRAP DIODE

| | | | | | |
|-----------------|---|-----|-----|-----|---|
| Forward Voltage | $V_{CC} = 5\text{ V}$, forward bias current = 2 mA | 0.1 | 0.4 | 0.6 | V |
|-----------------|---|-----|-----|-----|---|

PWM INPUT

| | | | | | |
|--------------------|--|-----|-----|-----|----|
| PWM Input High | | 3.4 | | | V |
| PWM Mid-State | | 1.3 | | 2.7 | V |
| PWM Input Low | | | | 0.7 | V |
| ZCD Blanking Timer | | | 350 | | ns |

HIGH SIDE DRIVER

| | | | | | |
|--|--|----|-----|-----|------------|
| Output Impedance, Sourcing Current | $V_{BST} - V_{SW} = 5\text{ V}$ | | 0.9 | 1.7 | Ω |
| Output Impedance, Sinking Current | $V_{BST} - V_{SW} = 5\text{ V}$ | | 0.7 | 1.7 | Ω |
| DRVH Rise Time t_{rDRVH} | $V_{CC} = 5\text{ V}$, 3 nF load, $V_{BST} - V_{SW} = 5\text{ V}$ | | 16 | 25 | ns |
| DRVH Fall Time t_{fDRVH} | $V_{CC} = 5\text{ V}$, 3 nF load, $V_{BST} - V_{SW} = 5\text{ V}$ | | 11 | 18 | ns |
| DRVH Turn-Off Propagation Delay $t_{pd}DRVH$ | $C_{LOAD} = 3\text{ nF}$ | 10 | | 30 | ns |
| DRVH Turn-On Propagation Delay $t_{pd}DRVH$ | $C_{LOAD} = 3\text{ nF}$ | 10 | | 40 | ns |
| SW Pulldown Resistance | SW to PGND | | 45 | | k Ω |
| DRVH Pulldown Resistance | DRVH to SW, BST-SW = 0 V | | 45 | | k Ω |

LOW SIDE DRIVER

| | | | | | |
|--|--------------------------------------|-----|-----|-----|------------|
| Output Impedance, Sourcing Current | | | 0.9 | 1.7 | Ω |
| Output Impedance, Sinking Current | | | 0.4 | 0.8 | Ω |
| DRVL Rise Time t_{rDRVL} | $C_{LOAD} = 3\text{ nF}$ | | 16 | 25 | ns |
| DRVL Fall Time t_{fDRVL} | $C_{LOAD} = 3\text{ nF}$ | | 11 | 15 | ns |
| DRVL Turn-Off Propagation Delay $t_{pd}DRVL$ | $C_{LOAD} = 3\text{ nF}$ | 10 | | 30 | ns |
| DRVL Turn-On Propagation Delay $t_{pd}DRVL$ | $C_{LOAD} = 3\text{ nF}$ | 5.0 | | 25 | ns |
| DRVL Pulldown Resistance | DRVL to PGND, $V_{CC} = \text{PGND}$ | | 45 | | k Ω |

NCP81145

NCP81145 ELECTRICAL CHARACTERISTICS ($-40^{\circ}\text{C} < T_A < +125^{\circ}\text{C}$; $4.5\text{ V} < V_{CC} < 5.5\text{ V}$, $4.5\text{ V} < \text{BST-SWN} < 5.5\text{ V}$, $4.5\text{ V} < \text{BST} < 30\text{ V}$, $0\text{ V} < \text{SWN} < 21\text{ V}$, unless otherwise noted)

| Parameter | Test Conditions | Min | Typ | Max | Unit |
|--|-----------------|------|------|-----|---------------|
| EN INPUT | | | | | |
| Input Voltage High | | 3.3 | | | V |
| Input Voltage Mid | | 1.35 | | 1.8 | V |
| Input Voltage Low | | | | 0.6 | V |
| Input bias current | | -1.0 | | 1.0 | μA |
| Propagation Delay Time | | | 20 | 40 | ns |
| SW NODE | | | | | |
| SW Node Leakage Current | | | | 20 | μA |
| Zero Cross Detection Threshold Voltage | | | -6.0 | | mV |

NCP81145

Table 1. DECODER TRUTH TABLE

| Input | ZCD | DRVL | DRVH |
|------------------------|---------------------------------------|------|------|
| PWM High (Enable High) | ZCD Reset | Low | High |
| PWM Mid (Enable High) | Positive Current Through the Inductor | High | Low |
| PWM Mid (Enable High) | Zero Current Through the Inductor | Low | Low |
| PWM Low (Enable High) | ZCD Reset | High | Low |
| Enable at Mid | X | Low | Low |

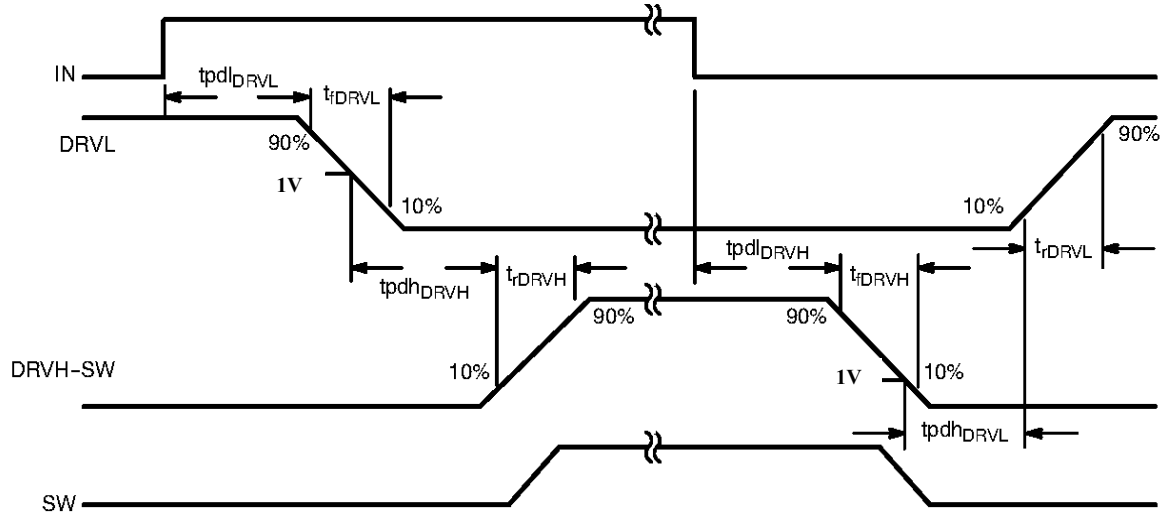


Figure 3.

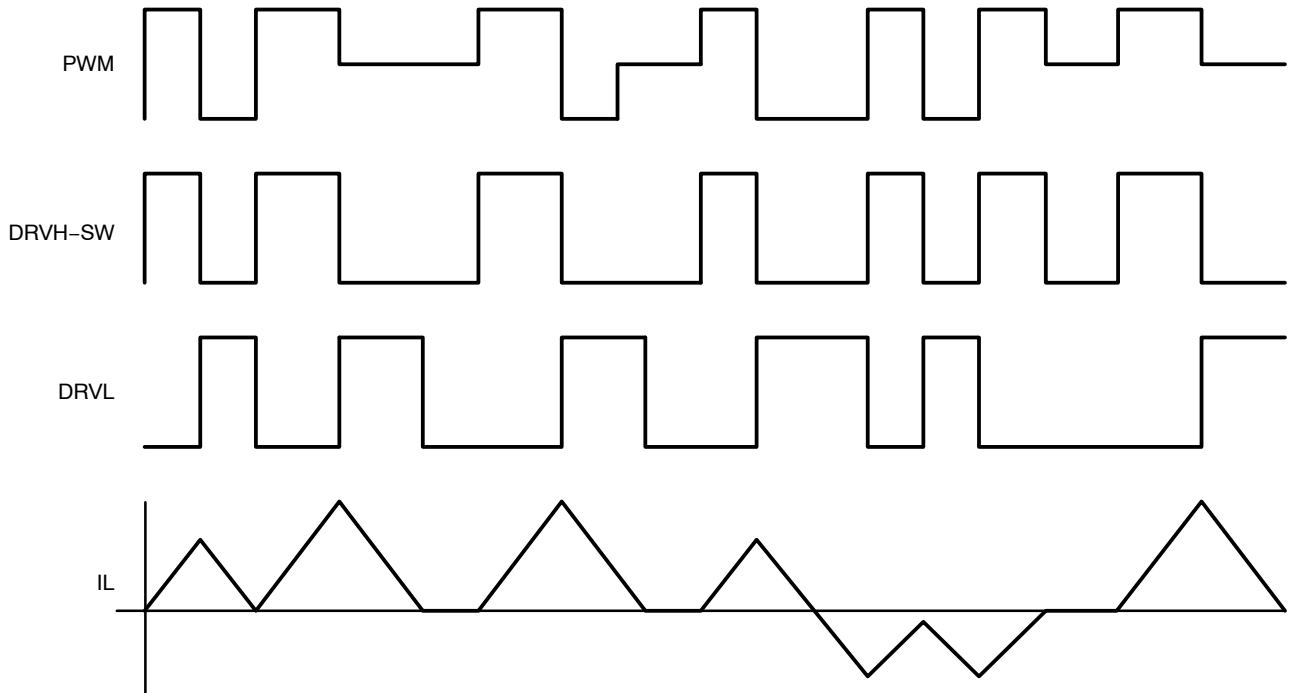


Figure 4. Timing Diagram

APPLICATION INFORMATION

The NCP81145 gate driver is a single phase MOSFET driver designed for driving N-channel MOSFETs in a synchronous buck converter topology. The NCP81145 is designed to work with ON Semiconductor's NCP6131 multi-phase controller. This gate driver is optimized for notebook applications.

Undervoltage Lockout

DRVH and DRVL are held low until VCC reaches 4.5 V during startup. The PWM signal will control the gate status when VCC threshold is exceeded.

Three-State EN Signal

When EN is set to the mid state, both DRVH and DRVL are set low, to force diode mode operation.

PWM Input and Zero Cross Detect (ZCD)

The PWM input, along with EN and ZCD, control the state of DRVH and DRVL.

When PWM is set high, DRVH will be set high after the adaptive non-overlap delay. When PWM is set low, DRVL will be set high after the adaptive non-overlap delay.

When PWM is set to the mid state, DRVH will be set low, and after the adaptive non-overlap delay, DRVL will be set high. DRVL remains high during the ZCD blanking time. When the timer has expired, the SW pin will be monitored for zero cross detection. After the detection, DRVL will be set low.

Adaptive Non-overlap

Adaptive dead time control is used to avoid shoot-through damage of the power MOSFETs. When the PWM signal pulls high, DRVL will be set low and the driver will monitor the gate voltage of the low side MOSFET. When the DRVL voltage falls below the gate threshold, DRVH will be set to

high after the $t_{pdhDRVH}$ delay. When PWM is set low, the driver will monitor the gate voltage of the high side MOSFET. When the DRVH-SWN voltage falls below the top gate drive threshold, DRVL will be set to high after the $t_{pdhDRVL}$ delay.

Layout Guidelines

The layout for a DC-DC converter is very important. The bootstrap and VCC bypass capacitors should be placed close to the driver IC.

Connect the GND pin to a local ground plane. The ground plane can provide a good return path for gate drives and reduce the ground noise. The thermal slug should be tied to the ground plane for good heat dissipation. To minimize the ground loop for the low side MOSFET, the driver GND pin should be close to the low-side MOSFET source pin. The gate drive trace should be routed to minimize its length. The minimum width is 20 mils.

Gate Driver Power Loss Calculation

The gate driver power loss consists of the gate drive loss and quiescent power loss.

The equation below can be used to calculate the power dissipation of the gate driver. Q_{GMF} is the total gate charge for each main MOSFET and Q_{GSF} is the total gate charge for each synchronous MOSFET.

$$P_{DRV} = \left[\frac{f_{SW}}{2 \times n} \times (n_{MF} \times Q_{GMF} + n_{SF} \times Q_{GSF}) + I_{CC} \right] \times V_{CC} \quad (\text{eq. 1})$$

Also shown is the standby dissipation factor ($I_{CC} \times V_{CC}$) of the driver.

MECHANICAL CASE OUTLINE

PACKAGE DIMENSIONS

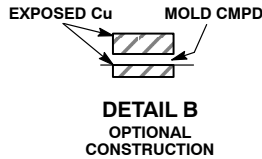
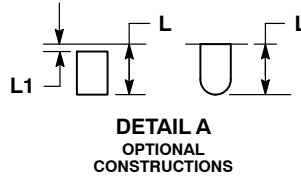
ON Semiconductor®



SCALE 4:1

DFN8 2x2, 0.5P
CASE 506AA-01
ISSUE E

DATE 22 JAN 2010

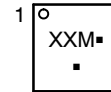


NOTES:

1. DIMENSIONING AND TOLERANCING PER ASME Y14.5M, 1994.
2. CONTROLLING DIMENSION: MILLIMETERS.
3. DIMENSION b APPLIES TO PLATED TERMINAL AND IS MEASURED BETWEEN 0.15 AND 0.20 MM FROM TERMINAL TIP.
4. COPLANARITY APPLIES TO THE EXPOSED PAD AS WELL AS THE TERMINALS.

| DIM | MILLIMETERS | |
|-----|-------------|------|
| | MIN | MAX |
| A | 0.80 | 1.00 |
| A1 | 0.00 | 0.05 |
| A3 | 0.20 | REF |
| b | 0.20 | 0.30 |
| D | 2.00 | BSC |
| D2 | 1.10 | 1.30 |
| E | 2.00 | BSC |
| E2 | 0.70 | 0.90 |
| e | 0.50 | BSC |
| K | 0.30 | REF |
| L | 0.25 | 0.35 |
| L1 | --- | 0.10 |

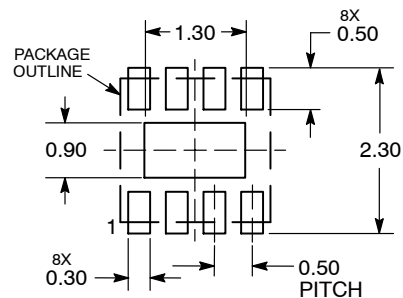
GENERIC MARKING DIAGRAM*



- XX = Specific Device Code
- M = Date Code
- = Pb-Free Device

*This information is generic. Please refer to device data sheet for actual part marking. Pb-Free indicator, "G" or microdot "■", may or may not be present.

RECOMMENDED SOLDERING FOOTPRINT*



DIMENSIONS: MILLIMETERS

*For additional information on our Pb-Free strategy and soldering details, please download the ON Semiconductor Soldering and Mounting Techniques Reference Manual, SOLDERRM/D.

| | | |
|-------------------------|-----------------------------------|--|
| DOCUMENT NUMBER: | 98AON18658D | Electronic versions are uncontrolled except when accessed directly from the Document Repository. Printed versions are uncontrolled except when stamped "CONTROLLED COPY" in red. |
| DESCRIPTION: | DFN8, 2.0X2.0, 0.5MM PITCH | PAGE 1 OF 1 |

ON Semiconductor and are trademarks of Semiconductor Components Industries, LLC dba ON Semiconductor or its subsidiaries in the United States and/or other countries. ON Semiconductor reserves the right to make changes without further notice to any products herein. ON Semiconductor makes no warranty, representation or guarantee regarding the suitability of its products for any particular purpose, nor does ON Semiconductor assume any liability arising out of the application or use of any product or circuit, and specifically disclaims any and all liability, including without limitation special, consequential or incidental damages. ON Semiconductor does not convey any license under its patent rights nor the rights of others.

onsemi, **Onsemi**, and other names, marks, and brands are registered and/or common law trademarks of Semiconductor Components Industries, LLC dba "**onsemi**" or its affiliates and/or subsidiaries in the United States and/or other countries. **onsemi** owns the rights to a number of patents, trademarks, copyrights, trade secrets, and other intellectual property. A listing of **onsemi**'s product/patent coverage may be accessed at www.onsemi.com/site/pdf/Patent-Marking.pdf. **onsemi** reserves the right to make changes at any time to any products or information herein, without notice. The information herein is provided "as-is" and **onsemi** makes no warranty, representation or guarantee regarding the accuracy of the information, product features, availability, functionality, or suitability of its products for any particular purpose, nor does **onsemi** assume any liability arising out of the application or use of any product or circuit, and specifically disclaims any and all liability, including without limitation special, consequential or incidental damages. Buyer is responsible for its products and applications using **onsemi** products, including compliance with all laws, regulations and safety requirements or standards, regardless of any support or applications information provided by **onsemi**. "Typical" parameters which may be provided in **onsemi** data sheets and/or specifications can and do vary in different applications and actual performance may vary over time. All operating parameters, including "Typicals" must be validated for each customer application by customer's technical experts. **onsemi** does not convey any license under any of its intellectual property rights nor the rights of others. **onsemi** products are not designed, intended, or authorized for use as a critical component in life support systems or any FDA Class 3 medical devices or medical devices with a same or similar classification in a foreign jurisdiction or any devices intended for implantation in the human body. Should Buyer purchase or use **onsemi** products for any such unintended or unauthorized application, Buyer shall indemnify and hold **onsemi** and its officers, employees, subsidiaries, affiliates, and distributors harmless against all claims, costs, damages, and expenses, and reasonable attorney fees arising out of, directly or indirectly, any claim of personal injury or death associated with such unintended or unauthorized use, even if such claim alleges that **onsemi** was negligent regarding the design or manufacture of the part. **onsemi** is an Equal Opportunity/Affirmative Action Employer. This literature is subject to all applicable copyright laws and is not for resale in any manner.

PUBLICATION ORDERING INFORMATION

LITERATURE FULFILLMENT:

Email Requests to: orderlit@onsemi.com

onsemi Website: www.onsemi.com

TECHNICAL SUPPORT

North American Technical Support:

Voice Mail: 1 800-282-9855 Toll Free USA/Canada

Phone: 011 421 33 790 2910

Europe, Middle East and Africa Technical Support:

Phone: 00421 33 790 2910

For additional information, please contact your local Sales Representative

X-ON Electronics

Largest Supplier of Electrical and Electronic Components

Click to view similar products for [Gate Drivers](#) category:

Click to view products by [ON Semiconductor](#) manufacturer:

Other Similar products are found below :

[00053P0231](#) [56956](#) [57.404.7355.5](#) [LT4936](#) [57.904.0755.0](#) [5882900001](#) [00600P0005](#) [00-9050-LRPP](#) [00-9090-RDPP](#) [5951900000](#) [01-1003W-10/32-15](#) [0131700000](#) [00-2240](#) [LTP70N06](#) [LVP640](#) [5J0-1000LG-SIL](#) [LY1D-2-5S-AC120](#) [LY2-US-AC240](#) [LY3-UA-DC24](#) [00576P0020](#) [00600P0010](#) [LZN4-UA-DC12](#) [LZNQ2M-US-DC5](#) [LZNQ2-US-DC12](#) [LZP40N10](#) [00-8196-RDPP](#) [00-8274-RDPP](#) [00-8275-RDNP](#) [00-8722-RDPP](#) [00-8728-WHPP](#) [00-8869-RDPP](#) [00-9051-RDPP](#) [00-9091-LRPP](#) [00-9291-RDPP](#) [0207100000](#) [0207400000](#) [01312](#) [0134220000](#) [60713816](#) [M15730061](#) [61161-90](#) [61278-0020](#) [6131-204-23149P](#) [6131-205-17149P](#) [6131-209-15149P](#) [6131-218-17149P](#) [6131-220-21149P](#) [6131-260-2358P](#) [6131-265-11149P](#) [CS1HCPU63](#)