

# NCV887300LEDGEVB

## NCV887300 Automotive Grade High-frequency Dimmable LED Boost Controller Evaluation Board User's Manual



ON Semiconductor®

<http://onsemi.com>

### EVAL BOARD USER'S MANUAL

#### Description

This NCV887300 evaluation board provides a convenient way to evaluate a high-frequency LED Boost converter design. No additional components are required, other than dc supplies for the input and enable voltages. An external clock can be used to synchronize the switching frequency. It is configured as a 60 mA output current source with a 1 MHz switching frequency over the typical 6 V to 18 V automotive input voltage range. On board overvoltage protection is provided. The design is 1000:1 dimming ratio capable. The dimming frequency interface circuit may be configured to accept an 1.8 V or a 3.3 V/5 V control signal.

#### Key Features

- 60 mA Output Current Source
- 1000:1 Dimming Ratio
- Overvoltage Protection
- 1 MHz Switching Frequency
- Input Undervoltage Lockout
- Internal Soft-Start
- Wide Input Voltage of 6 V to 18 V
- Regulates through Load Dump Conditions
- External Clock Synchronization up to 1.1 MHz
- Automotive Grade

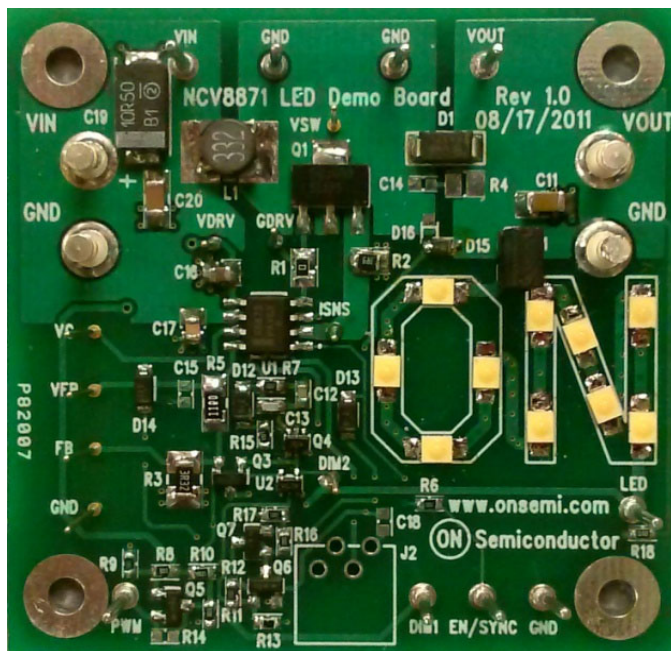


Figure 1. NCV887300 LED Evaluation Board

# NCV887300LEDGEVB

**Table 1. EVALUATION BOARD TERMINALS**

Terminal	Function
VIN	Positive DC Input Voltage
GND	Common DC Return
VOUT	Regulated DC Output Voltage
EN/SYNC	Enable and Synchronization Input

**Table 2. ABSOLUTE MAXIMUM RATINGS** (Voltages are with respect to GND)

Rating	Value	Unit
DC Supply Voltage (VIN)	-0.3 to 40	V
DC Supply Voltage (EN, SYNC)	-0.3 to 6	V
Junction Temperature (NCV8902)	-40 to 150	°C
Ambient Temperature (Evaluation Board)	-40 to 105	°C

**Table 3. ELECTRICAL CHARACTERISTICS** ( $T_A = 25^\circ\text{C}$ ,  $6\text{ V} \leq V_{\text{IN}} \leq V_{\text{out\_LED}}$ ,  $V_{\text{EN}} = 2\text{ V}$ , unless otherwise specified)

Characteristics	Conditions	Typical Value	Unit
<b>REGULATION</b>			
Load Current (Adjustable via R3)	R3 = 3.32 $\Omega$	60	mA
<b>SWITCHING</b>			
Switching Frequency	-	1000	kHz
Soft-start Time	-	1.66	ms
SYNC Frequency Range	-	1.0–1.1	MHz
<b>CURRENT LIMIT</b>			
Average Current Limit (Load)	-	0.06	A
Cycle-by-cycle Current Limit (FET)	-	0.95	A
<b>PROTECTIONS</b>			
Input Undervoltage Lockout (UVLO)	$V_{\text{IN}}$ Decreasing	3.05	V
Thermal Shutdown	$T_A$ Increasing	170	°C

# NCV887300LEDGEVB

## Operational Guidelines

1. Connect a DC input voltage, within the 6 V to 40 V range, between VIN and GND.
2. Connect a DC enable voltage, within the 2.0 V to 5.0 V range, between EN/SYNC and GND.
3. Connect a function generator between PWM and GND. It is recommended the waveform be set to:
  - 125–200 Hz Square Typical Frequency Range
  - Low State Voltage of 0–0.8 V
  - High State of 1.8–5 V Range
  - Duty Cycle from 0.1% to 100%
4. Overvoltage may be tested by enabling the board (EN/SYNC) with jumper J1 removed.
5. Optionally:
  - for external clock synchronization, connect a pulse source between EN/SYNC and GND. The high state level should be within the 1.8 to 5 V range\*, and the low state level within the –0.3 V to 0.8 V range, with a minimum pulse width of 40 ns and a frequency within the 1 MHz and 1.1 MHz range.
  - Jumper J1 should be removed if an external load is to be used instead of on-board LEDs. Input voltage operating range is valid for loads requiring  $V_{out} < 40$  V.

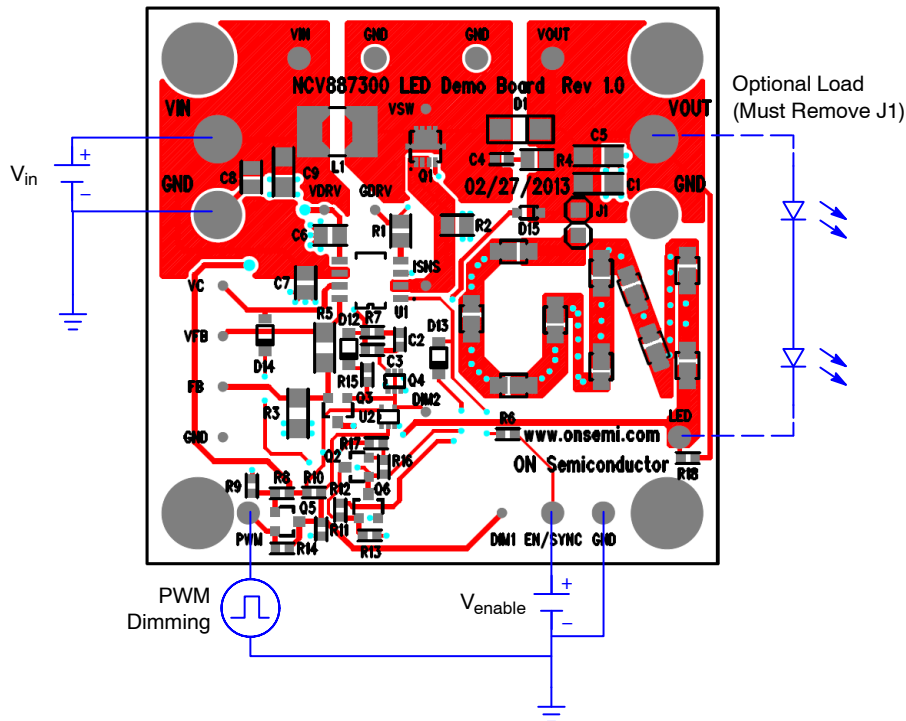


Figure 2. Evaluation Board Connections

\*The dimming frequency interface circuit may be configured to accept either a 1.8 V or a 3.3 V/5 V control signal (refer to schematic). For a 1.8 V signal, use BOM and schematic as is. For a 3.3 V/5 V control signal, components R8, R9, R10, R11, Q6 are optional (R14 = 3.01K if mentioned components are removed).

# NCV887300LEDGEVB

## TYPICAL PERFORMANCE – START-UP

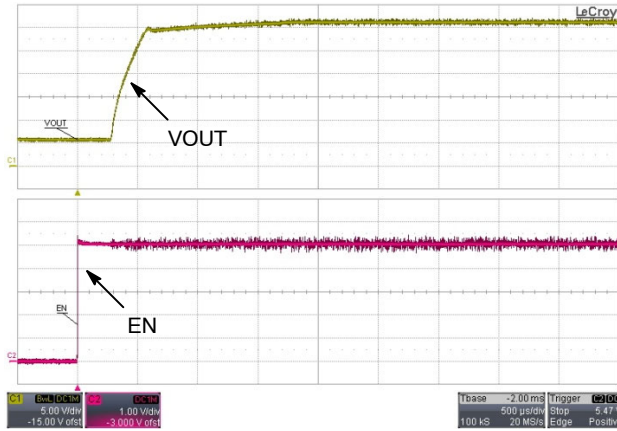


Figure 3. Typical Start-up with  $V_{IN} = 6\text{ V}$ , 10 LEDs/60 mA

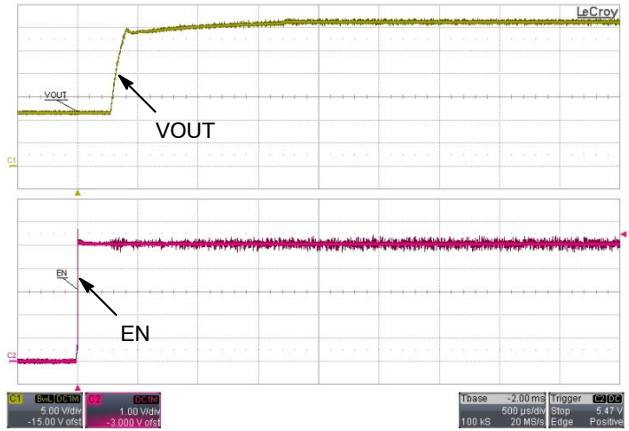


Figure 4. Typical Start-up with  $V_{IN} = 12\text{ V}$ , 10 LEDs/60 mA

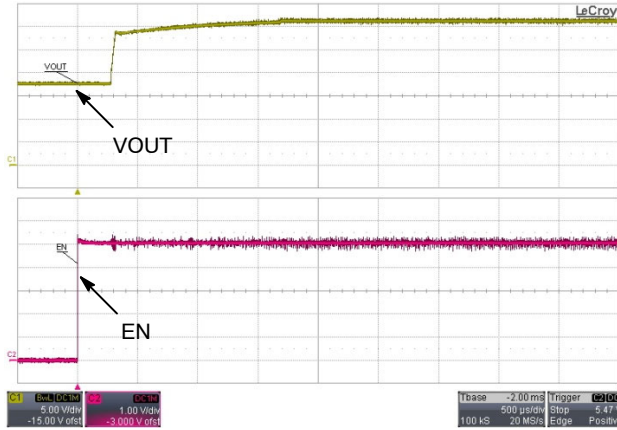


Figure 5. Typical Start-up with  $V_{IN} = 18\text{ V}$ , 10 LEDs/60 mA

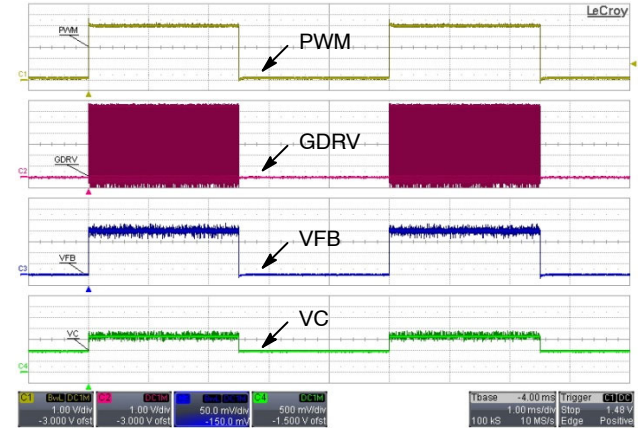


Figure 6. Converter Operation during Dimming,  $V_{IN} = 12\text{ V}$ , 10 LEDs/60 mA

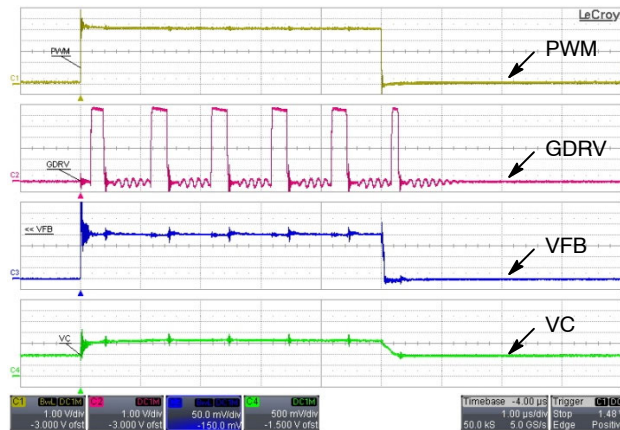
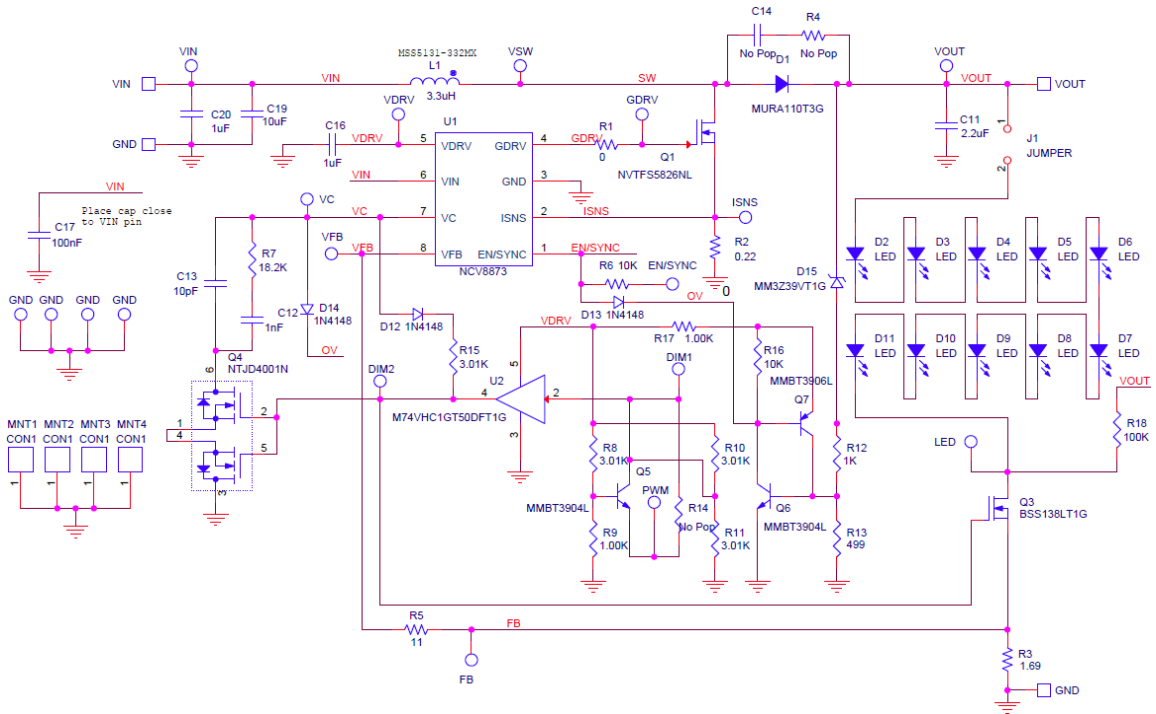


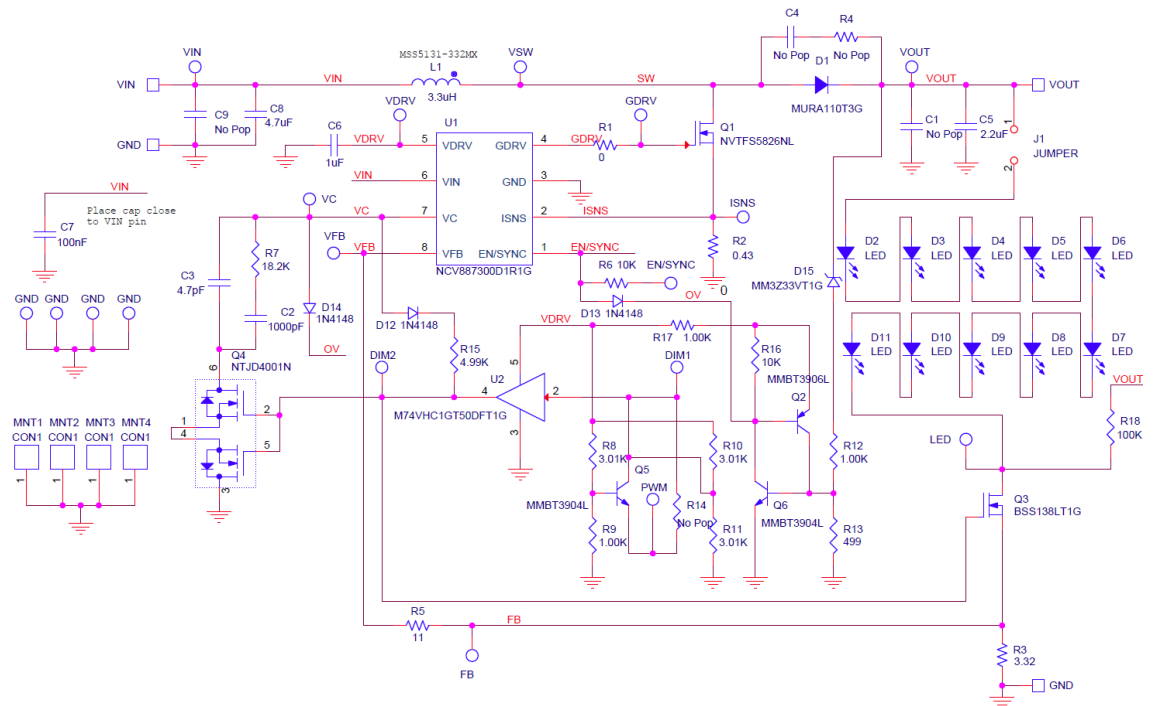
Figure 7. Converter Operation during 200 Hz 1000:1 Dimming,  $V_{IN} = 12\text{ V}$ , 10 LEDs/60 mA

# NCV887300LEDGEVB

## SCHEMATIC



**Figure 8. NCV887300 Boost LED Evaluation Board Schematic**  
(Applicable to PCB Rev 1.0 dated 08/11/2011)



**Figure 9. NCV887300 Boost LED Evaluation Board Schematic**  
(Applicable to PCB Rev 1.0 dated 02/27/2013)

# NCV887300LEDGEVB

## PCB LAYOUT

NCV887300 LED Demo Board Rev 1.0  
TOP Layer 02/27/2013

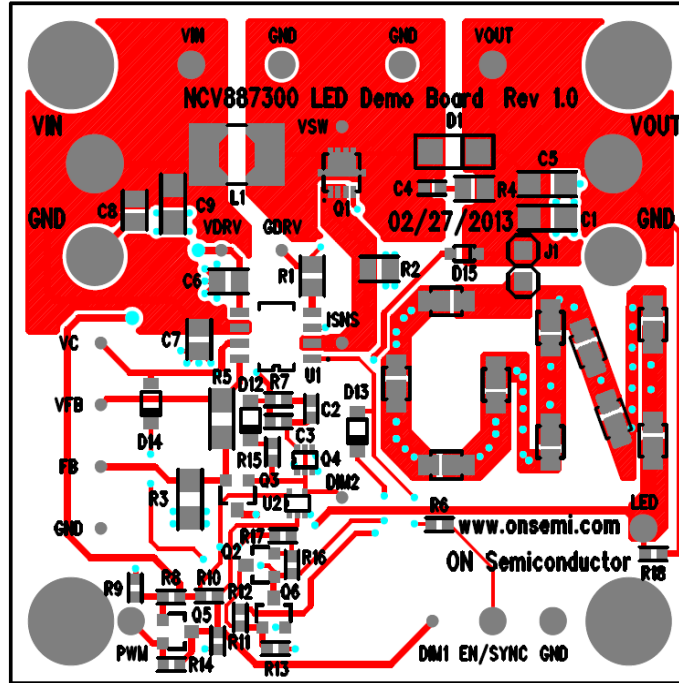


Figure 10. Top View

NCV887300 LED Demo Board Rev 1.0  
BOTTOM Layer 02/27/2013

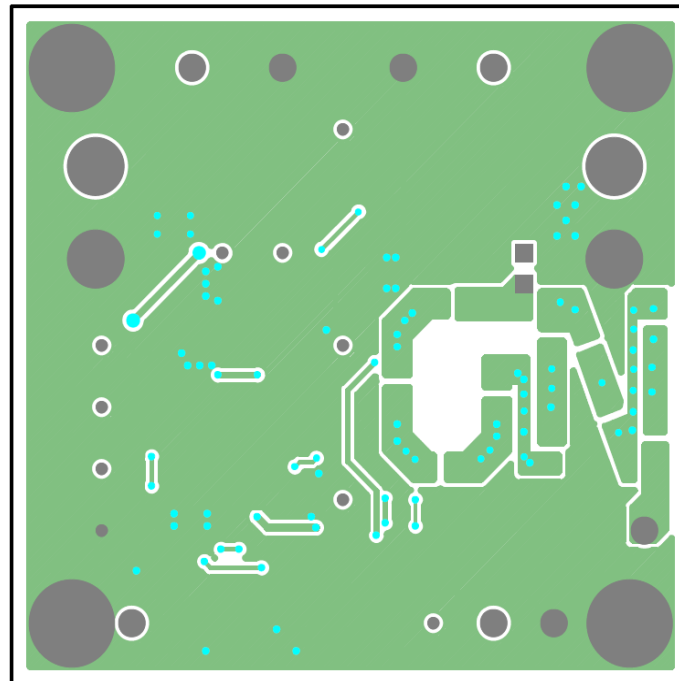


Figure 11. Bottom View

# NCV887300LEDGEVB

**Table 4. BILL OF MATERIALS**

Reference Designator(s)	Quantity	Description	Value	Tolerance	Manufacturer	Manufacturer's Part Number
C1	1	OPEN	Do Not Populate			
C2	1	CAP CER 1000 pF 50 V X7R 0603	1000 pF, 50 V	10%	Murata Electronics North America	GCM188R71H102KA37D
C3	1	CAP CER 4.7 pF 50 V NP0 0603	4.7 pF, 50 V	5%	Murata Electronics North America	GCM1885C1H4R7CZ13D
C4	1	OPEN	Do Not Populate			
C5	1	CAP CER 2.2 μF 50 V X7R 1206	2.2 μF, 50 V	10%	Murata Electronics North America	GRM31CR71H225KA88L
C6	1	CAP CER 1 μF 16 V 10% X7R 0805	1 μF, 16 V	10%	Kemet	C0805C105K4RACAUTO
C7	1	CAP CER 0.1 μF 50 V 10% X7R 0805	0.1 μF, 50 V	10%	Murata Electronics North America	GRM21BR71H104KA01L
C8	1	CAP CER 4.7 μF 50 V 10% X5R 0805	4.7 μF, 50 V	10%	TDK Corporation	CGA4J3X5R1H475K125AB
C9	1	OPEN	Do Not Populate			
D1	1	Diode Ultra Fast 2 A 100 V SMA	100 V, 2 A	N/A	ON Semiconductor	MURA110T3G
D2 through D11	10	LED DURIS P5 29 LM 4000K	N/A	N/A	OSRAM Opto Semiconductor Inc	GW DASPA1.EC-GUHQ-5L7N-1D12
D12, D13, D14	3	Diode SGL JUNC 100 V 4.0NS MELF	N/A	N/A	ON Semiconductor	MMSD4148T1G
D15	1	Diode Zener 33 V 220 MW SOD-323	33 V	5%	ON Semiconductor	MM3Z33VT1G
J1	1	CONN HEADER 2POS.100 VERT GOLD	N/A	N/A	Molex Connector Corporation	22-28-4023
	1	CONN JUMPER SHORTING GOLD	N/A	N/A	Sullins Connector Solutions	SSC02SYAN
L1	1	SMT Power Inductor 3.3 μH 1.33 A Isat	3.3 μH	20%	Coilcraft Inc	MSS5131-332MLB
Q1	1	MOSFET N-CH 60 V 20 A μ8FL	60 V, 20 A	N/A	ON Semiconductor	NVTF5826NL
Q2	1	PNP, Small Signal, -40 V, SOT-23	-40 V, 0.2 A	N/A	ON Semiconductor	MMBT3906LT1G
Q3	1	MOSFET 50 V 200 mA 3.5 Ω N-channel SOT-23	50 V, 0.2 A	N/A	ON Semiconductor	BSS138LT1G
Q4	1	MOSFET 30 V 250 mA 1.5 Ω Dual N-channel	30 V, 0.25 A	N/A	ON Semiconductor	NTJD4001N
Q5, Q6	2	NPN, Small Signal, 40 V, SOT-23	40 V, 0.2 A	N/A	ON Semiconductor	MMBT3904LT1G
R1	1	RES 0.0 Ω 1/8 W 0805 SMD	0 Ω	JUMPER	Vishay/Dale	CRCW08050000Z0EA
R2	1	RES 0.43 Ω 1/4 W 1% 0805 SMD	0.43 Ω	1%	Rohm Semiconductor	MCR10EZHFRLR430
R3	1	RES 3.32 Ω 1/4 W 1% 1206 SMD	3.32 Ω	1%	Vishay/Dale	CRCW12063R32FKEA
R4	1	OPEN	Do Not Populate			
R5	1	RES 11.0 Ω 1/4 W 1% 1206 SMD	11 Ω	1%	Vishay/Dale	CRCW120611R0FKEA
R6, R16	2	RES 10 kΩ 1/10 W 1% 0603 SMD	10.0 kΩ	1%	Vishay/Dale	CRCW060310K0FKEA
R7	1	RES 18.2 kΩ 1/10 W 1% 0603 SMD	18.2 kΩ	1%	Vishay/Dale	CRCW060318K2FKEA
R8, R10, R11	3	RES 3.01 kΩ 1/10 W 1% 0603 SMD	3.01 kΩ	1%	Vishay/Dale	CRCW06033K01FKEA
R9, R12, R17	3	RES 1.00 kΩ 1/10 W 1% 0603 SMD	1.00 kΩ	1%	Vishay/Dale	CRCW06031K00FKEA
R13	1	RES 499 Ω 1/10 W 1% 0603 SMD	499 Ω	1%	Vishay/Dale	CRCW0603499RFKEA
R14	1	OPEN	Do Not Populate			

# NCV887300LEDGEVB

**Table 4. BILL OF MATERIALS** (continued)

Reference Designator(s)	Quantity	Description	Value	Tolerance	Manufacturer	Manufacturer's Part Number
R15	1	RES 4.99 kΩ 1/10 W 1% 0603 SMD	4.99 kΩ	1%	Vishay/Dale	CRCW06034K99FKEA
R18	1	RES 100 kΩ 1/10 W 1% 0603 SMD	100 kΩ	1%	Vishay/Dale	CRCW0603100KFKEA
TP1, TP4, TP7, TP14, TP16, TP17, TP20, TP22	8	PIN INBOARD .42" HOLE 1000/PKG	N/A	N/A	Vector Electronics	K24C/M
TP2, TP3, TP5, TP6, TP8, TP9, TP15, TP18, TP19, TP21	10	CICRUIT PIN PRNTD .020" D .425" L	Do Not Populate		Mill-Max Manufacturing Corp.	3128-2-00-15-00-00-08-0
TP10, TP11, TP12, TP13	4	TERM SOLDER TURRET .219" .109" L	N/A	N/A	Mill-Max Manufacturing Corp.	2501-2-00-44-00-00-07-0
U1	1	Automotive Non-Sync Boost Controller	N/A	N/A	ON Semiconductor	NCV887300D1R2G
U2	1	IC BUFF CMOS LVL/SFTR N-I SOT353	N/A	N/A	ON Semiconductor	M74VHC1GT50DFT1G
MNT1, 2, 3, 4	4	Hex Spacer 4-40 1/4" Zinc Plated Steel 3/8"	N/A	N/A	McMaster-Carr	93620A431
	4	Hex Nut 4-40 1/4" Zinc Plated Steel	N/A	N/A	McMaster-Carr	90480A005



**onsemi**, **Onsemi**, and other names, marks, and brands are registered and/or common law trademarks of Semiconductor Components Industries, LLC dba "**onsemi**" or its affiliates and/or subsidiaries in the United States and/or other countries. **onsemi** owns the rights to a number of patents, trademarks, copyrights, trade secrets, and other intellectual property. A listing of **onsemi**'s product/patent coverage may be accessed at [www.onsemi.com/site/pdf/Patent-Marking.pdf](http://www.onsemi.com/site/pdf/Patent-Marking.pdf). **onsemi** is an Equal Opportunity/Affirmative Action Employer. This literature is subject to all applicable copyright laws and is not for resale in any manner.

The evaluation board/kit (research and development board/kit) (hereinafter the "board") is not a finished product and is not available for sale to consumers. The board is only intended for research, development, demonstration and evaluation purposes and will only be used in laboratory/development areas by persons with an engineering/technical training and familiar with the risks associated with handling electrical/mechanical components, systems and subsystems. This person assumes full responsibility/liability for proper and safe handling. Any other use, resale or redistribution for any other purpose is strictly prohibited.

**THE BOARD IS PROVIDED BY ONSEMI TO YOU "AS IS" AND WITHOUT ANY REPRESENTATIONS OR WARRANTIES WHATSOEVER. WITHOUT LIMITING THE FOREGOING, ONSEMI (AND ITS LICENSORS/SUPPLIERS) HEREBY DISCLAIMS ANY AND ALL REPRESENTATIONS AND WARRANTIES IN RELATION TO THE BOARD, ANY MODIFICATIONS, OR THIS AGREEMENT, WHETHER EXPRESS, IMPLIED, STATUTORY OR OTHERWISE, INCLUDING WITHOUT LIMITATION ANY AND ALL REPRESENTATIONS AND WARRANTIES OF MERCHANTABILITY, FITNESS FOR A PARTICULAR PURPOSE, TITLE, NON-INFRINGEMENT, AND THOSE ARISING FROM A COURSE OF DEALING, TRADE USAGE, TRADE CUSTOM OR TRADE PRACTICE.**

**onsemi** reserves the right to make changes without further notice to any board.

You are responsible for determining whether the board will be suitable for your intended use or application or will achieve your intended results. Prior to using or distributing any systems that have been evaluated, designed or tested using the board, you agree to test and validate your design to confirm the functionality for your application. Any technical, applications or design information or advice, quality characterization, reliability data or other services provided by **onsemi** shall not constitute any representation or warranty by **onsemi**, and no additional obligations or liabilities shall arise from **onsemi** having provided such information or services.

**onsemi** products including the boards are not designed, intended, or authorized for use in life support systems, or any FDA Class 3 medical devices or medical devices with a similar or equivalent classification in a foreign jurisdiction, or any devices intended for implantation in the human body. You agree to indemnify, defend and hold harmless **onsemi**, its directors, officers, employees, representatives, agents, subsidiaries, affiliates, distributors, and assigns, against any and all liabilities, losses, costs, damages, judgments, and expenses, arising out of any claim, demand, investigation, lawsuit, regulatory action or cause of action arising out of or associated with any unauthorized use, even if such claim alleges that **onsemi** was negligent regarding the design or manufacture of any products and/or the board.

This evaluation board/kit does not fall within the scope of the European Union directives regarding electromagnetic compatibility, restricted substances (RoHS), recycling (WEEE), FCC, CE or UL, and may not meet the technical requirements of these or other related directives.

FCC WARNING – This evaluation board/kit is intended for use for engineering development, demonstration, or evaluation purposes only and is not considered by **onsemi** to be a finished end product fit for general consumer use. It may generate, use, or radiate radio frequency energy and has not been tested for compliance with the limits of computing devices pursuant to part 15 of FCC rules, which are designed to provide reasonable protection against radio frequency interference. Operation of this equipment may cause interference with radio communications, in which case the user shall be responsible, at its expense, to take whatever measures may be required to correct this interference.

**onsemi** does not convey any license under its patent rights nor the rights of others.

LIMITATIONS OF LIABILITY: **onsemi** shall not be liable for any special, consequential, incidental, indirect or punitive damages, including, but not limited to the costs of requalification, delay, loss of profits or goodwill, arising out of or in connection with the board, even if **onsemi** is advised of the possibility of such damages. In no event shall **onsemi**'s aggregate liability from any obligation arising out of or in connection with the board, under any theory of liability, exceed the purchase price paid for the board, if any.

The board is provided to you subject to the license and other terms per **onsemi**'s standard terms and conditions of sale. For more information and documentation, please visit [www.onsemi.com](http://www.onsemi.com).

## PUBLICATION ORDERING INFORMATION

### LITERATURE FULFILLMENT:

Email Requests to: [orderlit@onsemi.com](mailto:orderlit@onsemi.com)

**onsemi Website:** [www.onsemi.com](http://www.onsemi.com)

### TECHNICAL SUPPORT

**North American Technical Support:**

Voice Mail: 1 800-282-9855 Toll Free USA/Canada

Phone: 011 421 33 790 2910

**Europe, Middle East and Africa Technical Support:**

Phone: 00421 33 790 2910

For additional information, please contact your local Sales Representative

## X-ON Electronics

Largest Supplier of Electrical and Electronic Components

*Click to view similar products for [LED Lighting Development Tools](#) category:*

*Click to view products by [ON Semiconductor](#) manufacturer:*

Other Similar products are found below :

[MIC2870YFT EV](#) [ADP8860DBCP-EVALZ](#) [LM3404MREVAL](#) [ADM8843EB-EVALZ](#) [TDGL014](#) [ISL97682IRTZEVALZ](#) [LM3508TLEV](#)  
[EA6358NH](#) [MAX16826EVKIT](#) [MAX16839EVKIT+](#) [TPS92315EVM-516](#) [MAX6956EVKIT+](#) [OM13321,598](#) [DC986A](#) [DC909A](#) [DC824A](#)  
[STEVAL-LLL006V1](#) [IS31LT3948-GRLS4-EB](#) [104PW03F](#) [PIM526](#) [PIM527](#) [MAX6946EVKIT+](#) [MAX20070EVKIT#](#) [MAX21610EVKIT#](#)  
[MAX6951EVKIT](#) [MAX20090BEVKIT#](#) [MAX20092EVSYS#](#) [PIM498](#) [AP8800EV1](#) [ZXLD1370/1EV4](#) [MAX6964EVKIT](#) [TLC59116EVM-](#)  
[390](#) [1216.1013](#) [TPS61176EVM-566](#) [TPS61197EVM](#) [TPS92001EVM-628](#) [1270](#) [1271.2004](#) [1272.1030](#) [1273.1010](#) [1278.1010](#) [1279.1002](#)  
[1279.1001](#) [1282.1000](#) [1293.1900](#) [1293.1800](#) [1293.1700](#) [1293.1500](#) [1293.1100](#) [1282.1400](#)