

# ON Semiconductor

## Is Now

# onsemi™

To learn more about onsemi™, please visit our website at  
[www.onsemi.com](http://www.onsemi.com)

---

**onsemi** and **onsemi** and other names, marks, and brands are registered and/or common law trademarks of Semiconductor Components Industries, LLC dba "**onsemi**" or its affiliates and/or subsidiaries in the United States and/or other countries. **onsemi** owns the rights to a number of patents, trademarks, copyrights, trade secrets, and other intellectual property. A listing of **onsemi** product/patent coverage may be accessed at [www.onsemi.com/site/pdf/Patent-Marking.pdf](http://www.onsemi.com/site/pdf/Patent-Marking.pdf). **onsemi** reserves the right to make changes at any time to any products or information herein, without notice. The information herein is provided "as-is" and **onsemi** makes no warranty, representation or guarantee regarding the accuracy of the information, product features, availability, functionality, or suitability of its products for any particular purpose, nor does **onsemi** assume any liability arising out of the application or use of any product or circuit, and specifically disclaims any and all liability, including without limitation special, consequential or incidental damages. Buyer is responsible for its products and applications using **onsemi** products, including compliance with all laws, regulations and safety requirements or standards, regardless of any support or applications information provided by **onsemi**. "Typical" parameters which may be provided in **onsemi** data sheets and/or specifications can and do vary in different applications and actual performance may vary over time. All operating parameters, including "Typicals" must be validated for each customer application by customer's technical experts. **onsemi** does not convey any license under any of its intellectual property rights nor the rights of others. **onsemi** products are not designed, intended, or authorized for use as a critical component in life support systems or any FDA Class 3 medical devices or medical devices with a same or similar classification in a foreign jurisdiction or any devices intended for implantation in the human body. Should Buyer purchase or use **onsemi** products for any such unintended or unauthorized application, Buyer shall indemnify and hold **onsemi** and its officers, employees, subsidiaries, affiliates, and distributors harmless against all claims, costs, damages, and expenses, and reasonable attorney fees arising out of, directly or indirectly, any claim of personal injury or death associated with such unintended or unauthorized use, even if such claim alleges that **onsemi** was negligent regarding the design or manufacture of the part. **onsemi** is an Equal Opportunity/Affirmative Action Employer. This literature is subject to all applicable copyright laws and is not for resale in any manner. Other names and brands may be claimed as the property of others.

# 9 to 24 Volt Electronic Fuse

## NIS4461 Series

The NIS4461 eFuse is a cost effective, resettable fuse which can greatly enhance the reliability of a hard drive or other circuit from both catastrophic and shutdown failures.

It is designed to protect the downstream circuitry against an overcurrent event by limiting the current while protecting against high inrush current, as well as monitoring the load current in real time.

### Features

- Integrated Power Device
- Power Device Thermally Protected
- No External Current Shunt Required
- 9 V to 24 V Input Range
- 39 mΩ Typical
- Internal Charge Pump
- Internal Undervoltage Lockout Circuit
- ESD Ratings:
  - Human Body Model (HBM); 2000 V
  - Charged Device Model (CDM); 2000 V
  - Latch-Up; Class 1
- These Devices are Pb-Free, Halogen Free/BFR Free and are RoHS Compliant

### Typical Applications

- Hard Drives
- Mother Board Power Management
- Fan Drives
- Industrial
- Handheld Devices
- Portable Instruments



**ON Semiconductor®**

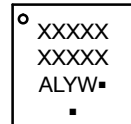
[www.onsemi.com](http://www.onsemi.com)

## 4.2 AMP, 9 to 24 VOLT ELECTRONIC FUSE



WDFN10  
CASE 522AA

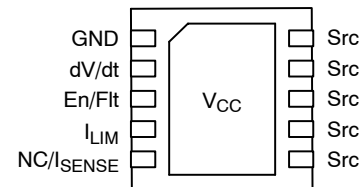
### MARKING DIAGRAM



XXX = Specific Device Code  
A = Assembly Location  
L = Wafer Lot  
Y = Year  
W = Work Week  
▪ = Pb-Free Package

(Note: Microdot may be in either location)

### PIN CONNECTIONS



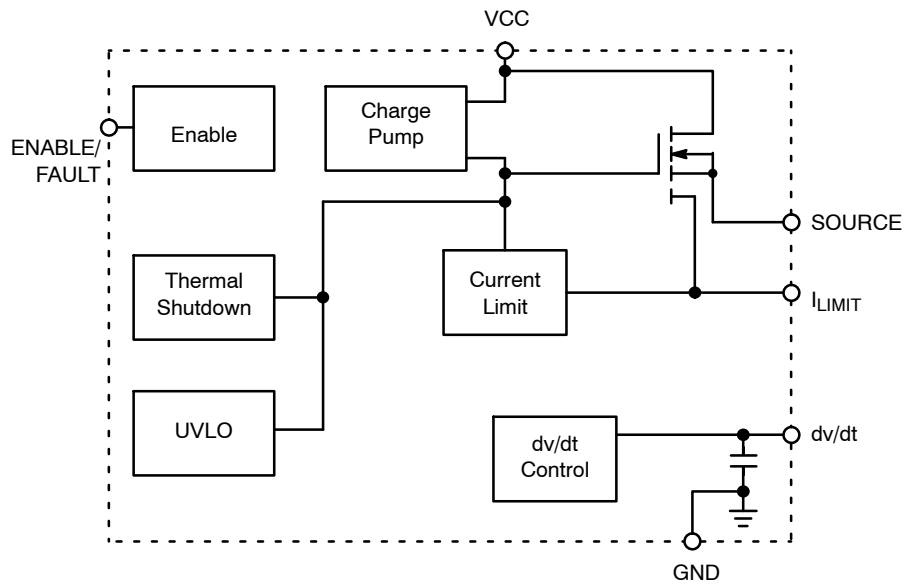
WDFN10

(Top View)

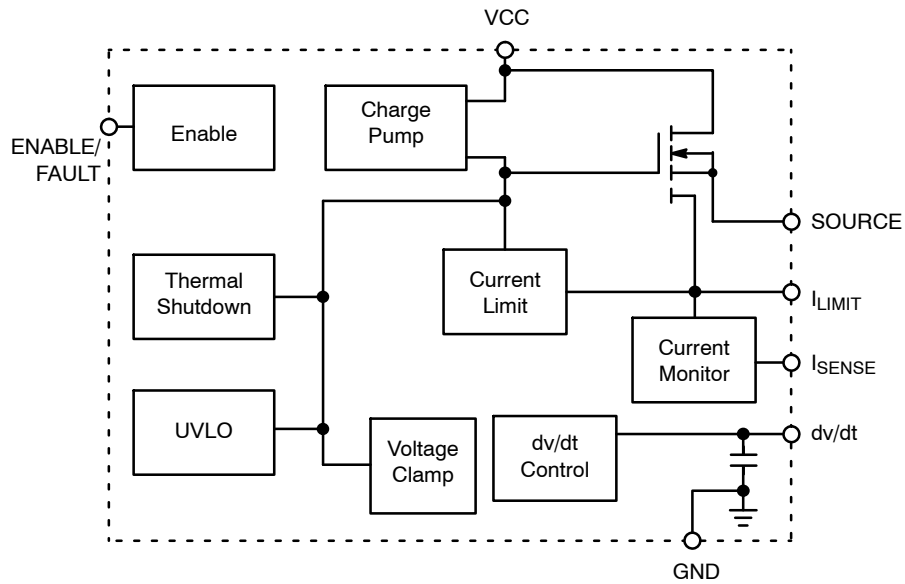
### ORDERING INFORMATION

See detailed ordering, marking and shipping information in the ordering information section on page 11 of this data sheet.

# NIS4461 Series



**Figure 1. Block Diagram**  
(NIS4461MT2TXG, NIS4461MT4TXG)



**Figure 2. Block Diagram**  
(NIS4461MT1TXG, NIS4461MT3TXG)

## NIS4461 Series

**Table 1. FUNCTIONAL PIN DESCRIPTION**

Pin	Function	Description
1	Ground	Negative input voltage to the device. This is used as the internal reference for the IC.
2	dv/dt	The internal dv/dt circuit controls the slew rate of the output voltage at turn on. It has an internal capacitor that allows it to ramp up over a period of 2 ms. An external capacitor can be added to this pin to increase the ramp time. If an additional time delay is not required, this pin should be left open.
3	Enable/Fault	The enable/fault pin is a tri-state, bidirectional interface. It can be pulled to ground with external open-drain or open collector device to shutdown the eFuse. It can also be used as a status indicator; if the voltage level is intermediate around 1.4 V – the eFuse is in the thermal shutdown, if the voltage level is high around 3 V – the eFuse is operating normally. Do not actively drive this pin to any voltage. Do not connect a capacitor to this pin.
4	I <sub>Limit</sub>	A resistor between this pin and the source pin sets the overload and short circuit current limit levels.
5	NC	For NIS4461MT2TXG and NIS4461MT4TXG
	I <sub>SENSE</sub>	For NIS4461MT1TXG and NIS4461MT3TXG load current monitor allows the system to monitor the load current in real time. Connect R <sub>SENSE</sub> to GND.
6–10	Source	This pin is the source of the internal power FET and the output terminal of the fuse. Connect an electrolytic capacitor or Schottky diode for 27 V or higher.
11 (belly pad)	V <sub>CC</sub>	Positive input voltage to the device.

### MAXIMUM RATINGS

Rating	Symbol	Value	Unit
Input Voltage, operating, steady-state (V <sub>CC</sub> to GND, Note 1) Transient (100 ms)	V <sub>IN</sub>	-0.6 to 30 -0.6 to 30	V

Stresses exceeding those listed in the Maximum Ratings table may damage the device. If any of these limits are exceeded, device functionality should not be assumed, damage may occur and reliability may be affected.

- Negative voltage will not damage device provided that the power dissipation is limited to the rated allowable power for the package.

**Table 2. THERMAL RATINGS**

Rating	Symbol	Value	Unit
Thermal Resistance, Junction-to-Air (4 layer High-K JEDEC JESD51-7 PCB, 100 mm <sup>2</sup> , 2 oz. Cu)	$\theta_{JA}$	90	°C/W
Thermal Characterization Parameter, Junction-to-Lead (4 layer High-K JEDEC JESD51-7 PCB, 100 mm <sup>2</sup> , 2 oz. Cu)	$\Psi_{J-L}$	27.5	°C/W
Thermal Characterization Parameter, Junction-to-Board (4 layer High-K JEDEC JESD51-7 PCB, 100 mm <sup>2</sup> , 2 oz. Cu)	$\Psi_{J-B}$	27.5	°C/W
Thermal Characterization Parameter, Junction-to-Case Top (4 layer High-K JEDEC JESD51-7 PCB, 100 mm <sup>2</sup> , 2 oz. Cu)	$\Psi_{J-T}$	7.6	°C/W
Total Power Dissipation @ T <sub>A</sub> = 25°C (4 layer High-K JEDEC JESD51-7 PCB, 100 mm <sup>2</sup> , 2 oz. Cu) Derate above 25°C	P <sub>max</sub>	1.39 11.1	W mW/°C
Operating Ambient Temperature Range	T <sub>A</sub>	-40 to 125	°C
Operating Junction Temperature Range	T <sub>J</sub>	-40 to 150	°C
Non-operating Temperature Range	T <sub>STG</sub>	-55 to 155	°C
Lead Temperature, Soldering (10 Sec)	T <sub>L</sub>	260	°C

## NIS4461 Series

**ELECTRICAL CHARACTERISTICS** ( $V_{CC} = 24\text{ V}$ ,  $C_L = 100\ \mu\text{F}$ ,  $dv/dt$  pin open,  $R_{LIMIT} = 20\ \Omega$ ,  $T_j = 25^\circ\text{C}$  unless otherwise noted.)

Characteristics	Symbol	Min	Typ	Max	Unit
-----------------	--------	-----	-----	-----	------

### POWER FET

Delay Time (enabling of chip to $I_D = 100\text{ mA}$ with 1 A resistive load)	$T_{dly}$	–	220	–	$\mu\text{s}$
Kelvin ON Resistance (Note 2) $T_j = 140^\circ\text{C}$ (Note 3)	$R_{DSon}$	30 –	39 60	50 –	$\text{m}\Omega$
Continuous Current ( $T_A = 25^\circ\text{C}$ , 0.5 in <sup>2</sup> copper) (Note 3) ( $T_A = 80^\circ\text{C}$ , minimum copper)	$I_D$ $I_D$	– –	4.2 2.5	– –	A

### THERMAL LATCH

Shutdown Temperature (Note 3)	$T_{SD}$	150	175	200	$^\circ\text{C}$
Thermal Hysteresis (Auto-retry part only)	$T_{Hyst}$	–	45	–	$^\circ\text{C}$
Thermal Shutdown Response Time	$T_{SDRes}$	10	15	20	$\mu\text{s}$

### UNDERVOLTAGE PROTECTION

Undervoltage Lockout	$V_{UVLO}$	6	6.5	7	V
UVLO Hysteresis	$V_{Hyst}$	–	0.80	–	V

### CURRENT LIMIT

Kelvin Short Circuit Current Limit ( $R_{Limit} = 20\ \Omega$ , Note 4)	$I_{Lim-SS}$	1.76	2.1	2.64	A
Kelvin Overload Current Limit ( $R_{Limit} = 20\ \Omega$ , Note 4)	$I_{Lim-OL}$	–	4.6	–	A

### dv/dt CIRCUIT

Output Voltage Ramp Time (Enable to $V_{OUT} = 23.7\text{ V}$ )	$t_{slew}$	–	2.0	–	ms
Output Voltage Ramp Time (10% to 90% – $V_{OUT} = 2.4\text{ V}$ to 21.6 V with 24 $\Omega$ Load)	$t_{slew}$	–	1.2	–	ms
Maximum Capacitor Voltage	$V_{max}$	–	–	$V_{CC}$	V

### ENABLE/FAULT

Logic Level Low (Output Disabled)	$V_{in-low}$	0.35	0.58	0.81	V
Logic Level Mid (Thermal Fault, Output Disabled)	$V_{in-mid}$	0.82	1.4	1.95	V
Logic Level High (Output Enabled)	$V_{in-high}$	1.96	2.6	3.0	V
High State Maximum Voltage	$V_{in-max}$	2.51	4.6	5	V
Logic Low Sink Current ( $V_{enable} = 0\text{ V}$ )	$I_{in-low}$	–	–15	–25	$\mu\text{A}$
Logic High Leakage Current for External Switch ( $V_{enable} = 3.3\text{ V}$ )	$I_{in-leak}$	–	–	1.0	$\mu\text{A}$
Maximum Fanout for Fault Signal (Total number of chips that can be connected to this pin for simultaneous shutdown)	Fan	–	–	3.0	Units

### TOTAL DEVICE

Bias Current (Operational)	$I_{Bias}$	–	–	450	$\mu\text{A}$
Bias Current (Shutdown)	$I_{Bias}$	–	–	220	$\mu\text{A}$

### LOAD CURRENT MONITOR

Current Monitor Sense ( $R_{SENSE} = 1\text{ k}\Omega$ )	$I_{SENSE}$	–	1	–	mA/A
Current Monitor Sense Accuracy	$I_{ACC}$	–10	–	10	%

Product parametric performance is indicated in the Electrical Characteristics for the listed test conditions, unless otherwise noted. Product performance may not be indicated by the Electrical Characteristics if operated under different conditions.

2. Pulse test: Pulse width 300  $\mu\text{s}$ , duty cycle 2%.

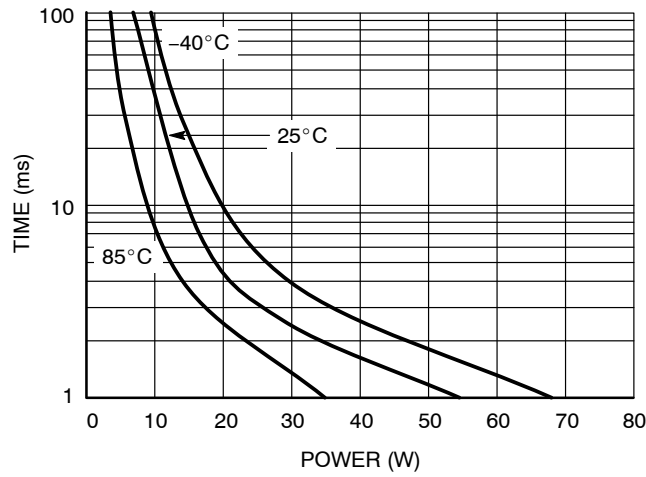
3. Verified by design.

4. Refer to explanation of short circuit and overload conditions in application note AND9441.

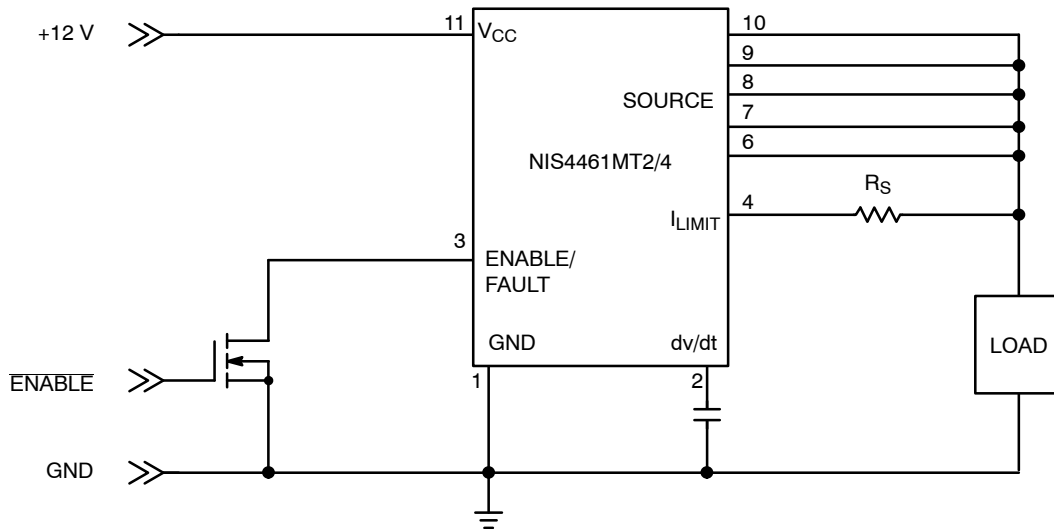
5. Device will shut down prior to reaching this level based on actual UVLO trip point.

6. For output slew rate calculation with external capacitor, please refer to "Output Slew Rate (dv/dt)" in the "Application Information" section.

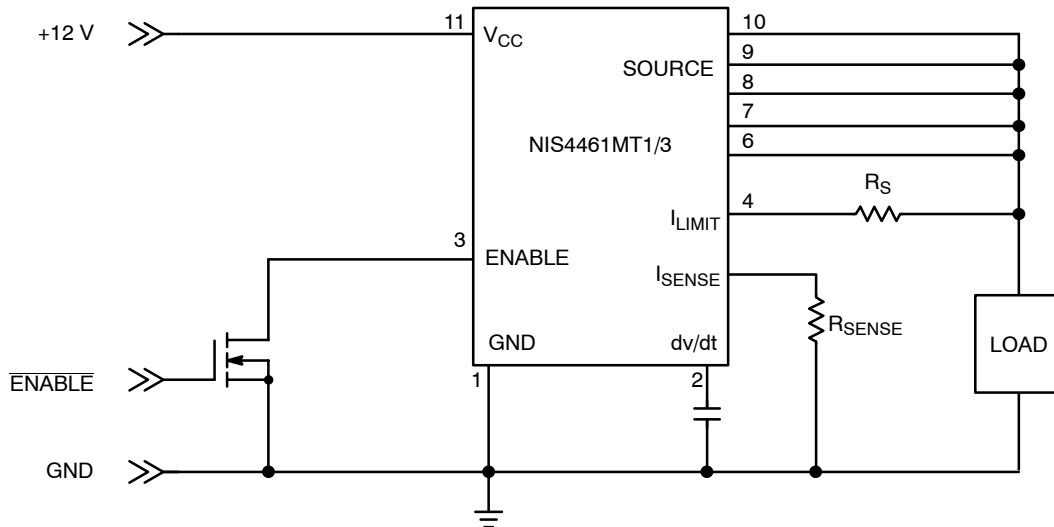
## NIS4461 Series



**Figure 3. Thermal Trip Time vs. Power Dissipation**



**Figure 4. Application Circuit with Direct Current Sensing**



**Figure 5. Application Circuit with Direct Current Sensing**

# NIS4461 Series

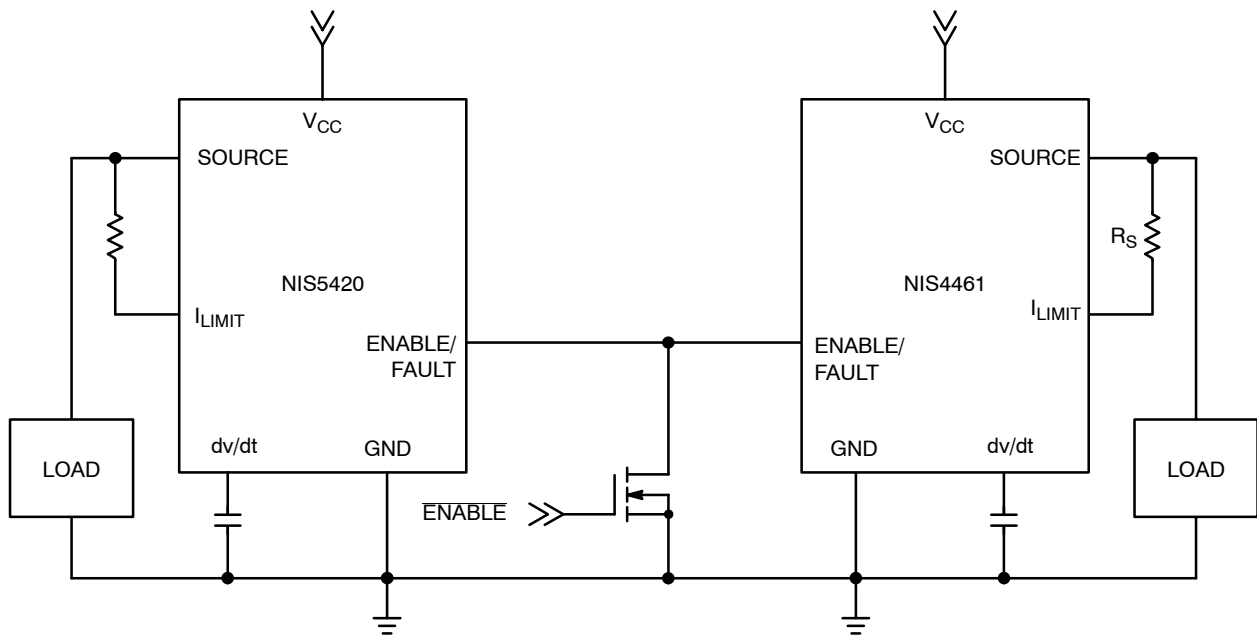


Figure 6. Common Thermal Shutdown

# NIS4461 Series

## TYPICAL CHARACTERISTICS

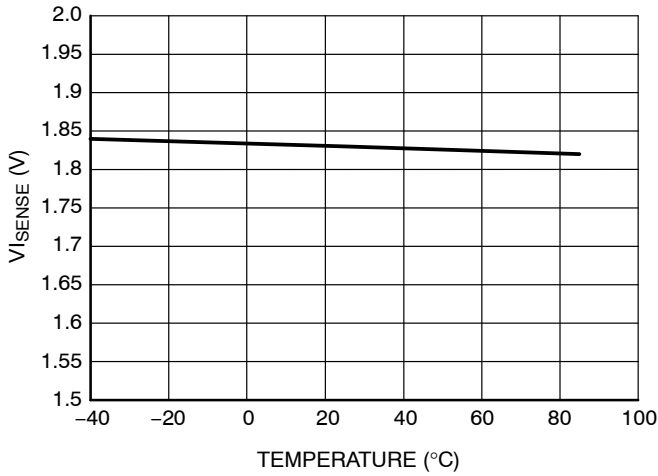


Figure 7.  $V_{ISENSE}$  vs. Temperature

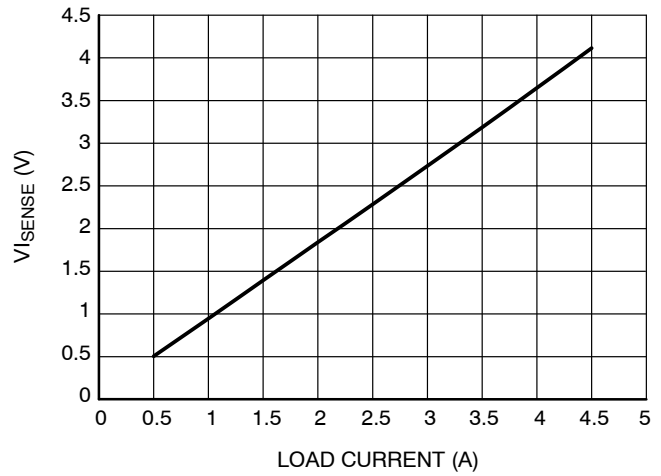


Figure 8.  $V_{ISENSE}$  vs. Load Current

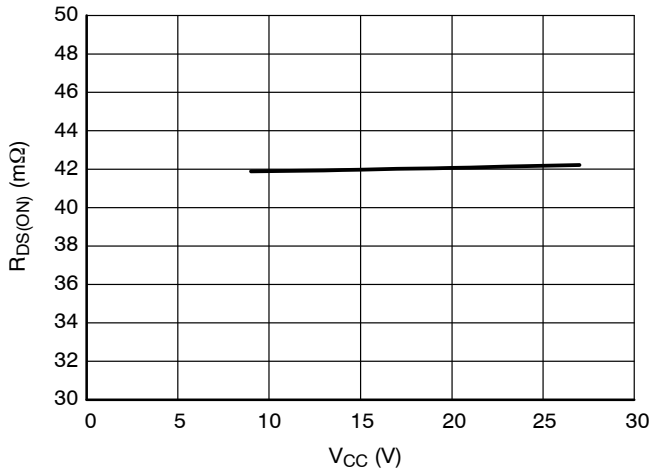


Figure 9.  $R_{DS(ON)}$  vs.  $V_{CC}$

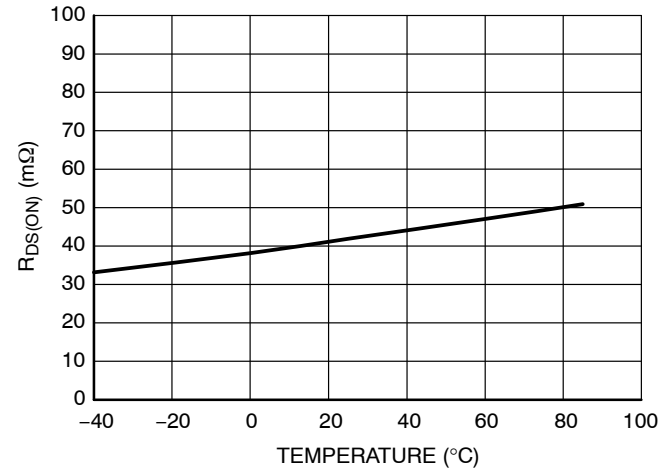


Figure 10.  $R_{DS(ON)}$  vs. Temperature

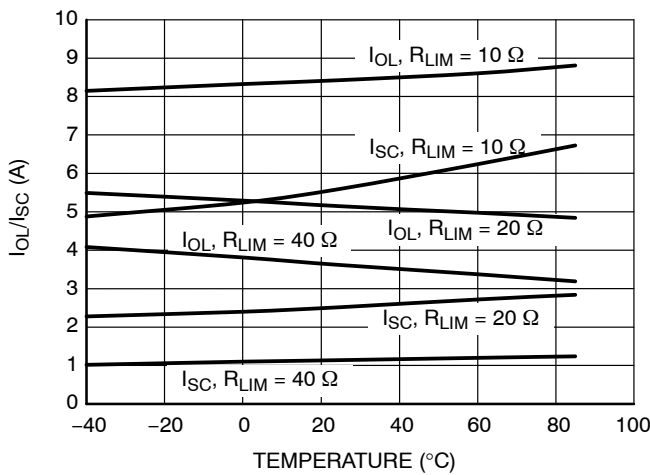


Figure 11.  $I_{OL}$  and  $I_{SC}$  vs. Temperature

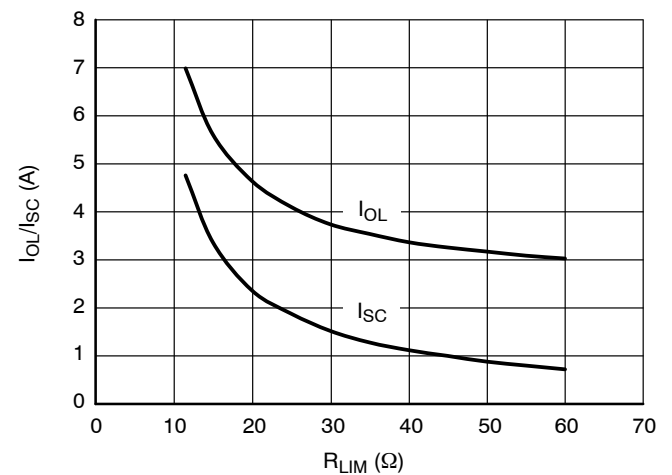


Figure 12.  $I_{OL}$  and  $I_{SC}$  vs.  $R_{LIM}$



# NIS4461 Series

## TYPICAL CHARACTERISTICS

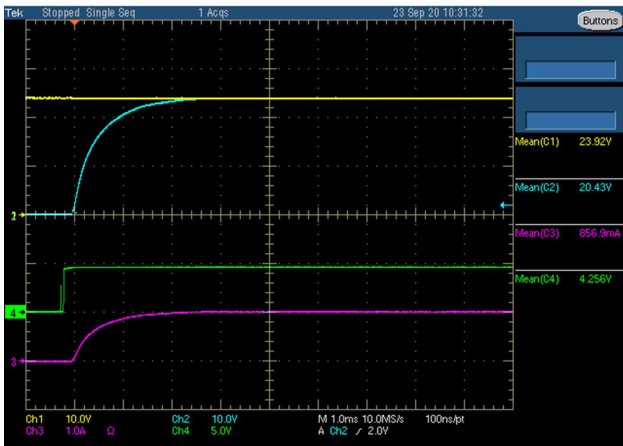


Figure 13. Slew Rate Control Screenshot

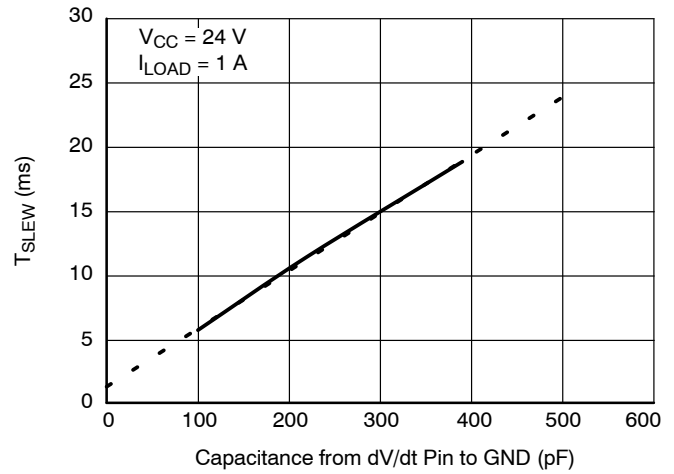


Figure 14.  $T_{SLEW}$  vs. dV/dt Capacitance

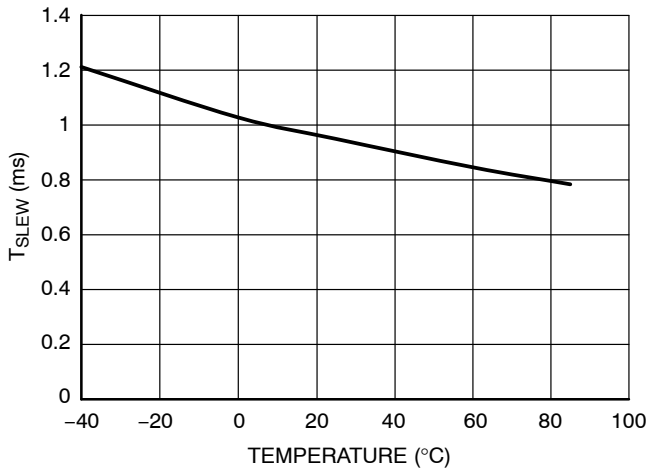


Figure 15.  $T_{SLEW}$  vs. Temperature

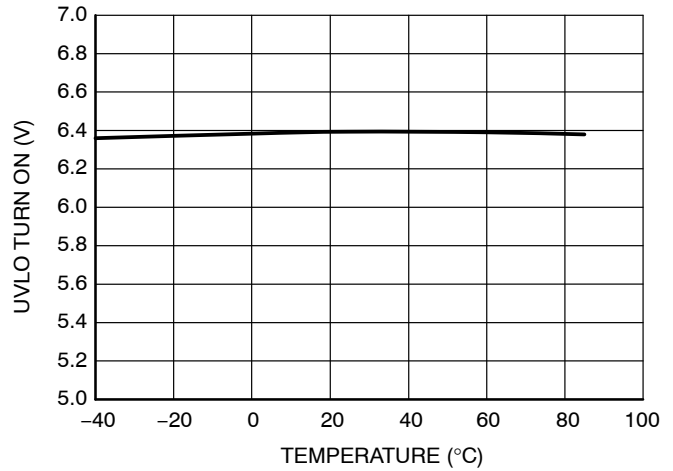


Figure 16. UVLO TURN ON vs. Temperature

## APPLICATION INFORMATION

### Basic Operation

This device is a self-protected, resettable, electronic fuse. It contains circuits to monitor the input voltage, output voltage, output current and die temperature.

On application of the input voltage, the device will apply the input voltage to the load based on the restrictions of the controlling circuits. The dv/dt of the output voltage will be controlled by the internal dv/dt circuit. The output voltage will slew from 0 V to the rated output voltage in 1 ms, unless additional capacitance is added to the dv/dt pin.

The device will remain on as long as the temperature does not exceed the 175°C limit that is programmed into the chip. The current limit circuit does not shut down the part but will reduce the conductivity of the FET to maintain a constant current at the internally set current limit level.

An internal charge pump provides bias for the gate voltage of the internal n-channel power FET and also for the current limit circuit. The remainder of the control circuitry operates between the input voltage ( $V_{CC}$ ) and ground.

### Current Limit

The current limit circuit uses a SENSEFET along with a reference and amplifier to control the peak current in the device. The SENSEFET allows for a small fraction of the load current to be measured, which has the advantage of reducing the losses in the sense resistor as well as increasing the value and decreasing the power rating of the sense resistor. Sense resistors are typically in the tens of ohms range with power ratings of several milliwatts making them very inexpensive chip resistors.

The current limit circuit has two limiting values, one for short circuit events which are defined as the mode of operation in which the gate is high and the FET is fully enhanced. The overload mode of operation occurs when the device is actively limiting the current and the gate is at an intermediate level. For a more detailed description of this circuit please refer to application note AND9441.

There are two methods of biasing the current limit circuit for this device. They are shown in the two application figures. Direct current sensing connects the sense resistor between the current limit pin and the load. This method includes the bond wire resistance in the current limit circuit. This resistance has an impact on the current limit levels for a given resistor and may vary slightly depending on the impedance between the sense resistor and the source pins. The on resistance of the device will be slightly lower in this configuration since all five source pins are connected in parallel and therefore, the effective bond wire resistance is one fifth of the resistance for any given pin.

The other method is Kelvin sensing. This method uses one of the source pins as the connection for the current sense resistor. This connection senses the voltage on the die and therefore any bond wire resistance and external impedance on the board have no effect on the current limit levels. In this configuration the on resistance is slightly increased relative

to the direct sense method since only four of the source pins are used for power.

### Undervoltage Lockout

The undervoltage lockout circuit uses a comparator with hysteresis to monitor the input voltage. If the input voltage drops below the specified level, the output switch will be switched to a high impedance state.

### Output Slew Rate dv/dt

The dv/dt circuit brings the output voltage up under a linear, controlled rate regardless of the load impedance characteristics. An internal ramp generator creates a linear ramp, and a control circuit forces the output voltage to follow that ramp, scaled by a factor.

The default ramp time is approximately 1 ms. This can be modified by adding an external capacitor at the dv/dt pin. This pin includes an internal current source of approximately 85 nA. Since the current level is very low, it is important to use a ceramic cap or other low leakage capacitor. Aluminum electrolytic capacitors are not recommended for this circuit.

The ramp time from 0 to the nominal output voltage can be determined by the following equation, where  $t$  is in seconds:

$$t_{2.4-21.6} = 3.8e7 \cdot (28 \text{ pF} + C_{\text{ext}}) + 0.00127$$

$$C_{\text{ext}} = \frac{(t_{2.4-21.6} - 0.00127)}{3.8e7} - 28 \text{ pF}$$

Where:

C is in Farads

t is in seconds

Any time that the unit shuts down due to a fault, enable shut-down, or recycling of input power, the timing capacitor will be discharged and the output voltage will ramp from 0 at turn on.

### Enable/Fault

The Enable/Fault pin is a multi-function, bidirectional pin that can control the output of the chip as well as send information to other devices regarding the state of the chip. When this pin is low, the output of the fuse will be turned off. When this pin is high the output of the fuse will be turned-on. If a thermal fault occurs, this pin will be pulled low to an intermediate level by an internal circuit.

To use as a simple enable pin, an open drain or open collector device should be connected to this pin. Due to its tri-state operation, it should not be connected to any type of logic with an internal pullup device.

If the chip shuts down due to the die temperature reaching its thermal limit, this pin will be pulled down to an intermediate level. This signal can be monitored by an external circuit to communicate that a thermal shutdown has occurred. If this pin is tied to another device in this family,

## NIS4461 Series

a thermal shutdown of one device will cause both devices to disable their outputs. Both devices will turn on once the fault is removed for the auto-retry devices.

For the latching thermal device, the outputs will be enabled after the enable pin has been pulled to ground with an external switch and then allowed to go high or after the input power has been recycled. For the auto-retry devices, both devices will restart as soon as the die temperature of the device in shutdown has been reduced to the lower thermal limit.

### Thermal Protection

The NIS4461 includes an internal temperature sensing circuit that senses the temperature on the die of the power

FET. If the temperature reaches 175°C, the device will shut down, and remove power from the load. Output power can be restored by either recycling the input power or toggling the enable pin for thermally latching devices. Power will automatically be reapplied to the load for auto-retry devices once the die temperature has been reduced by 45°C.

The thermal limit has been set high intentionally, to increase the trip time during high power transient events. It is not recommended to operate this device above 150°C for extended periods of time.

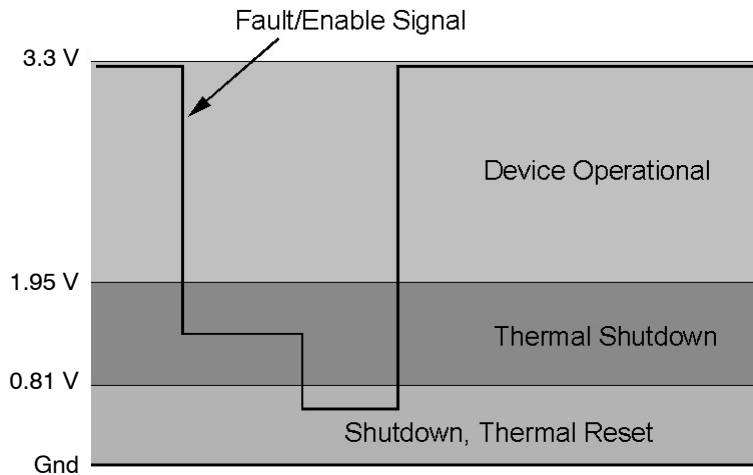


Figure 17. Fault/Enable Signal Levels

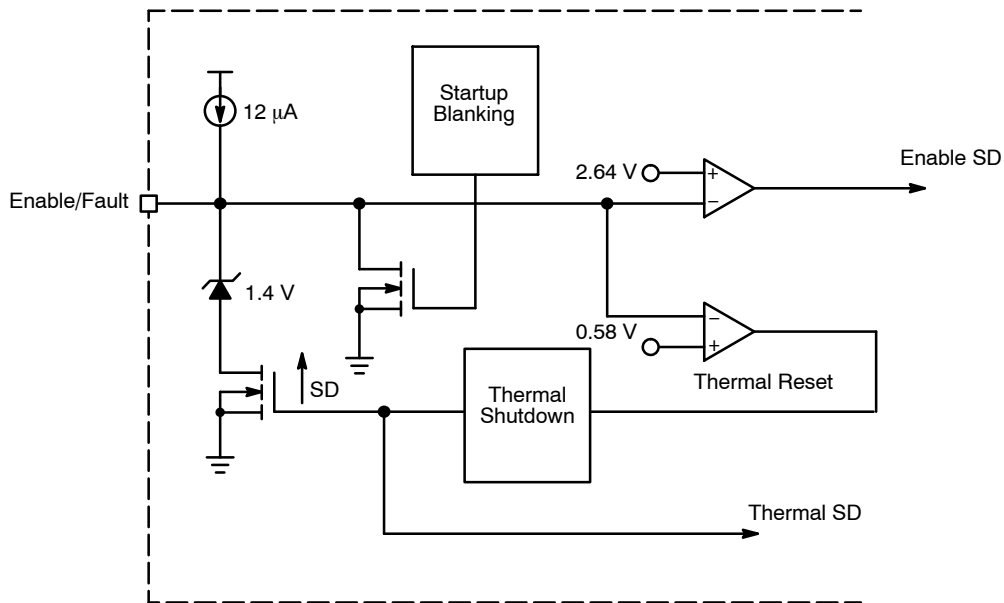


Figure 18. Enable/Fault Simplified Circuit

## NIS4461 Series

### ORDERING INFORMATION

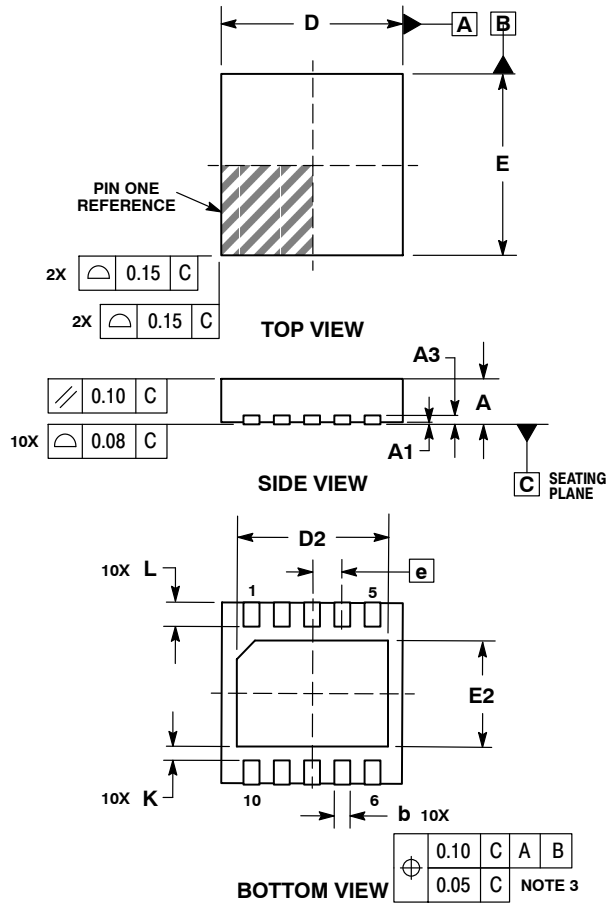
Device	Marking	Features	ISENSE	Package	Shipping <sup>†</sup>
NIS4461MT1TXG	61T1	Thermal Latching	Yes	WDFN10 (Pb-Free)	3000 / Tape & Reel
NIS4461MT2TXG	61T2	Thermal Latching	No		
NIS4461MT3TXG	61T3	Auto-Retry	Yes		
NIS4461MT4TXG	61T4	Auto-Retry	No		

<sup>†</sup>For information on tape and reel specifications, including part orientation and tape sizes, please refer to our Tape and Reel Packaging Specifications Brochure, BRD8011/D.

# NIS4461 Series

## PACKAGE DIMENSIONS

WDFN10, 3x3, 0.5P  
CASE 522AA  
ISSUE A

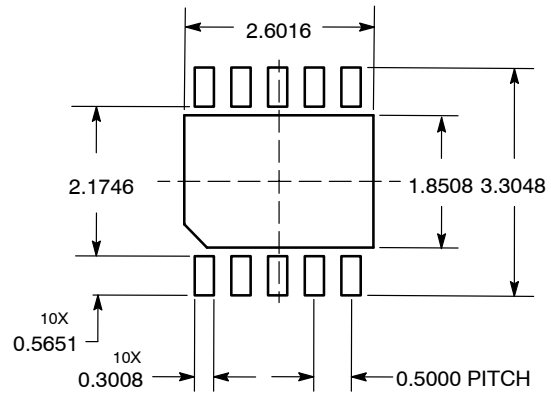


**NOTES:**

1. DIMENSIONING AND TOLERANCING PER ASME Y14.5M, 1994.
2. CONTROLLING DIMENSION: MILLIMETERS.
3. DIMENSION b APPLIES TO PLATED TERMINAL AND IS MEASURED BETWEEN 0.15 AND 0.30mm FROM TERMINAL.
4. COPLANARITY APPLIES TO THE EXPOSED PAD AS WELL AS THE TERMINALS.

DIM	MILLIMETERS		
	MIN	NOM	MAX
A	0.70	0.75	0.80
A1	0.00	0.03	0.05
A3	0.20 REF		
b	0.18	0.24	0.30
D	3.00 BSC		
D2	2.45	2.50	2.55
E	3.00 BSC		
E2	1.75	1.80	1.85
e	0.50 BSC		
K	0.19 TYP		
L	0.35	0.40	0.45

### SOLDERING FOOTPRINT\*



DIMENSIONS: MILLIMETERS

\*For additional information on our Pb-Free strategy and soldering details, please download the ON Semiconductor Soldering and Mounting Techniques Reference Manual, SOLDERRM/D.

ON Semiconductor and are trademarks of Semiconductor Components Industries, LLC dba ON Semiconductor or its subsidiaries in the United States and/or other countries. ON Semiconductor owns the rights to a number of patents, trademarks, copyrights, trade secrets, and other intellectual property. A listing of ON Semiconductor's product/patent coverage may be accessed at [www.onsemi.com/site/pdf/Patent-Marketing.pdf](http://www.onsemi.com/site/pdf/Patent-Marketing.pdf). ON Semiconductor reserves the right to make changes without further notice to any products herein. ON Semiconductor makes no warranty, representation or guarantee regarding the suitability of its products for any particular purpose, nor does ON Semiconductor assume any liability arising out of the application or use of any product or circuit, and specifically disclaims any and all liability, including without limitation special, consequential or incidental damages. Buyer is responsible for its products and applications using ON Semiconductor products, including compliance with all laws, regulations and safety requirements or standards, regardless of any support or applications information provided by ON Semiconductor. "Typical" parameters which may be provided in ON Semiconductor data sheets and/or specifications can and do vary in different applications and actual performance may vary over time. All operating parameters, including "Typicals" must be validated for each customer application by customer's technical experts. ON Semiconductor does not convey any license under its patent rights nor the rights of others. ON Semiconductor products are not designed, intended, or authorized for use as a critical component in life support systems or any FDA Class 3 medical devices or medical devices with a same or similar classification in a foreign jurisdiction or any devices intended for implantation in the human body. Should Buyer purchase or use ON Semiconductor products for any such unintended or unauthorized application, Buyer shall indemnify and hold ON Semiconductor and its officers, employees, subsidiaries, affiliates, and distributors harmless against all claims, costs, damages, and expenses, and reasonable attorney fees arising out of, directly or indirectly, any claim of personal injury or death associated with such unintended or unauthorized use, even if such claim alleges that ON Semiconductor was negligent regarding the design or manufacture of the part. ON Semiconductor is an Equal Opportunity/Affirmative Action Employer. This literature is subject to all applicable copyright laws and is not for resale in any manner.

### PUBLICATION ORDERING INFORMATION

**LITERATURE FULFILLMENT:**  
 Email Requests to: [orderlit@onsemi.com](mailto:orderlit@onsemi.com)

**TECHNICAL SUPPORT**  
**North American Technical Support:**  
 Voice Mail: 1 800-282-9855 Toll Free USA/Canada  
 Phone: 011 421 33 790 2910

**Europe, Middle East and Africa Technical Support:**  
 Phone: 00421 33 790 2910  
 For additional information, please contact your local Sales Representative

## X-ON Electronics

Largest Supplier of Electrical and Electronic Components

*Click to view similar products for [Surge Suppressors](#) category:*

*Click to view products by [ON Semiconductor](#) manufacturer:*

Other Similar products are found below :

[30460](#) [IE105](#) [1810-15-A3](#) [CX06M](#) [STCHSP121BT1RU](#) [0804111](#) [SPD2-150-1P0](#) [STC-CAT6-P0E-I](#) [SPD2-550-3P0](#) [STCSS640362](#) [TAL20](#)  
[NIS4461MT1TXG](#) [NIS6452MT2TWG](#) [NIS6420MT2TWG](#) [NCP81292MNTXG](#) [TP20D](#) [TP10D](#) [TM40P277](#) [TM10P277](#) [TAL49010N](#) [SX-01](#)  
[TP20D](#) [TP10DB](#) [TM10P277](#) [1251-240S-N1](#) [1063120000](#) [2800532](#) [2800786](#) [2800983](#) [2800989](#) [2081890000](#) [2080480000](#) [2080490000](#)  
[2080650000](#) [2905284](#) [2905355](#) [2905416](#) [2905418](#) [2905473](#) [2906764](#) [2906776](#) [2906809](#) [2906810](#) [2906824](#) [2906834](#) [2906838](#) [2906844](#)  
[2906847](#) [2906848](#) [2906851](#)