

Super Fast Surface Mount Rectifiers

US2AA-US2MA

Features

- Glass Passivated Chip Junction
- High Surge Capacity
- Low Forward Voltage Drop
- Fast Switching with Reverse Recovery Time: 50~75 ns Maximum
- UL Flammability 94 V – 0 Classification
- MSL 1 per J-STD-020
- RoHS Compliant / Green Molding Compound
- NRV Prefix for Automotive and Other Applications Requiring Unique Site and Control Change Requirements; AEC-Q101 Qualified and PPAP Capable*

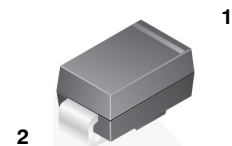
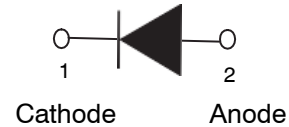
Table 1. ORDERING INFORMATION

Part Number	Top Mark	Package	Packing Method
US2AA, NRVUS2AA*	US2AA	DO-214AC (SMA)	Tape and Reel
US2BA, NRVUS2BA*	US2BA	DO-214AC (SMA)	Tape and Reel
US2DA, NRVUS2DA*	US2DA	DO-214AC (SMA)	Tape and Reel
US2FA, NRVUS2FA*	US2FA	DO-214AC (SMA)	Tape and Reel
US2GA, NRVUS2GA*	US2GA	DO-214AC (SMA)	Tape and Reel
US2JA, NRVUS2JA*	US2JA	DO-214AC (SMA)	Tape and Reel
US2KA, NRVUS2KA*	US2KA	DO-214AC (SMA)	Tape and Reel
US2MA, NRVUS2MA*	US2MA	DO-214AC (SMA)	Tape and Reel



ON Semiconductor®

www.onsemi.com



SMA/DO-214AC

COLOR BAND DENOTES CATHODE

MARKING DIAGRAM



- \$Y = ON Semiconductor Logo
- &Z = Assembly Plant Code
- &3 = Data Code (Year & Week)
- US2XA = Specific Device Code
- X = A/B/D/F/G/J/K/M

US2AA-US2MA

Table 2. ABSOLUTE MAXIMUM RATINGS

Symbol	Parameter	Value								Unit
		US2 AA	US2 BA	US2 DA	US2 FA	US2 GA	US2 JA	US2 KA	US2 MA	
V _{RRM}	Repetitive Peak Reverse Voltage	50	100	200	300	400	600	800	1000	V
V _{RMS}	RMS Reverse Voltage	35	70	140	210	280	420	560	700	V
V _{DC}	DC Blocking Voltage	50	100	200	300	400	600	800	1000	V
I _{F(AV)}	Average Forward Rectified Current	1.5								A
I _{FSM}	Peak Forward Surge Current, 8.3 ms Single Half-Sine Wave, Superimposed on Rated Load	50								A
T _J	Operating Junction Temperature Range	-55 to +150								°C
T _{STG}	Storage Temperature Range	-55 to +150								°C

Stresses exceeding those listed in the Maximum Ratings table may damage the device. If any of these limits are exceeded, device functionality should not be assumed, damage may occur and reliability may be affected.

Table 3. THERMAL CHARACTERISTICS (NOTE 1) (Values are at T_A = 25°C unless otherwise noted)

Symbol	Parameter	Value	Unit
R _{θJA}	Typical Thermal Resistance, Junction-to-Ambient	189	°C/W
Ψ _{JL}	Typical Thermal Characteristics, Junction-to-Lead (with Reference to Cathode Pin)	31	°C/W

1. Device mounted at minimum pad.

Table 4. ELECTRICAL CHARACTERISTICS (Values are at T_A = 25°C unless otherwise noted)

Symbol	Parameter	Value								Unit	
		US2 AA	US2 BA	US2 DA	US2 FA	US2 GA	US2 JA	US2 KA	US2 MA		
V _F	Maximum Instantaneous Forward Voltage (Note2) at Rated I _{F(AV)}	1.0				1.3	1.7				V
I _R	Maximum Reverse Current at Rated V _R	TJ = 25°C								μA	
		TJ = 125°C									
t _{rr}	Maximum Reverse Recovery Time (Note 3)	50				75				ns	
C _J	Typical Junction Capacitance (Note 4)	50				30				pF	

2. Pulse test with PW = 300 μs, 1% duty cycle

3. Reverse recovery test conditions: I_F = 0.5 A, I_R = 1.0 A, I_{RR} = 0.25 A

4. Measured at 1 Mhz and applied reverse voltage of 4.0 V D.C.

US2AA-US2MA

TYPICAL PERFORMANCE CHARACTERISTICS

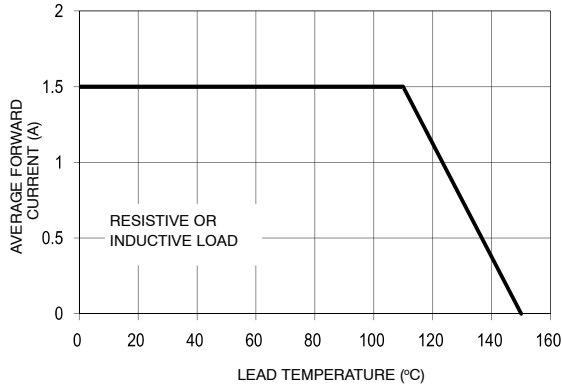


Figure 1. Forward Current Derating Curve

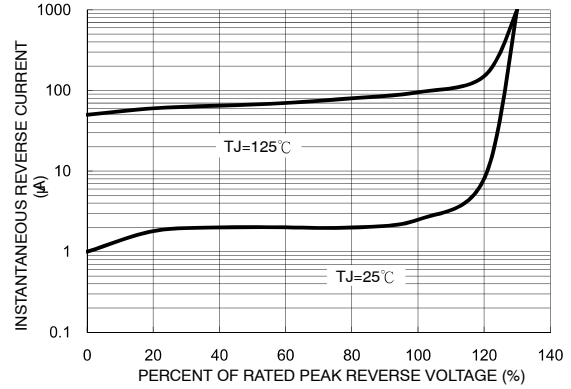


Figure 2. Typical Reverse Characteristics

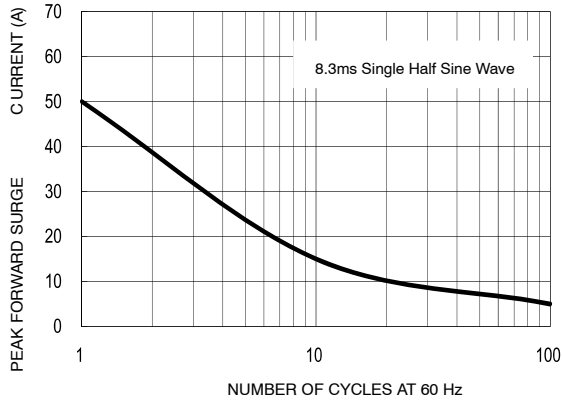


Figure 3. Maximum Non-Repetitive Forward Surge Current

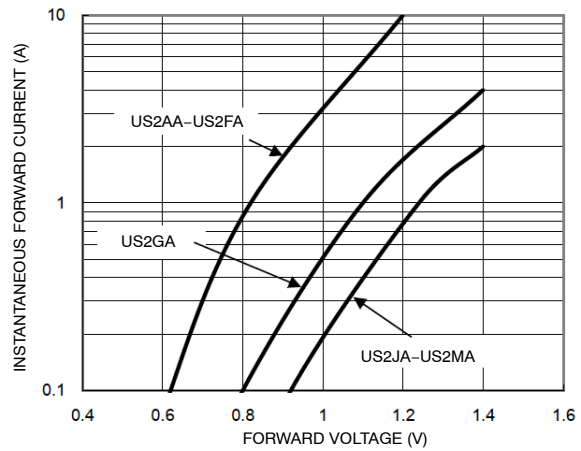


Figure 4. Typical Forward Characteristics

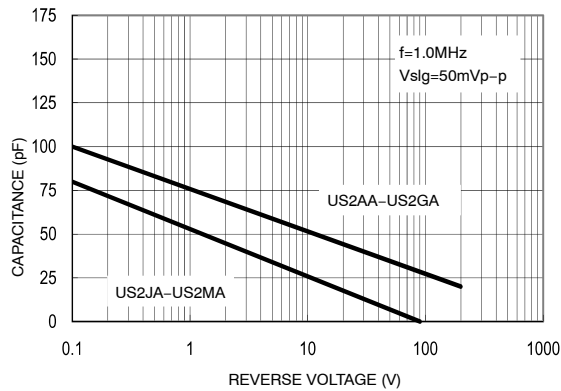


Figure 5. Typical Forward Characteristics

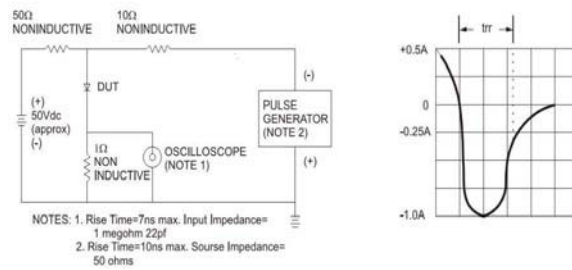
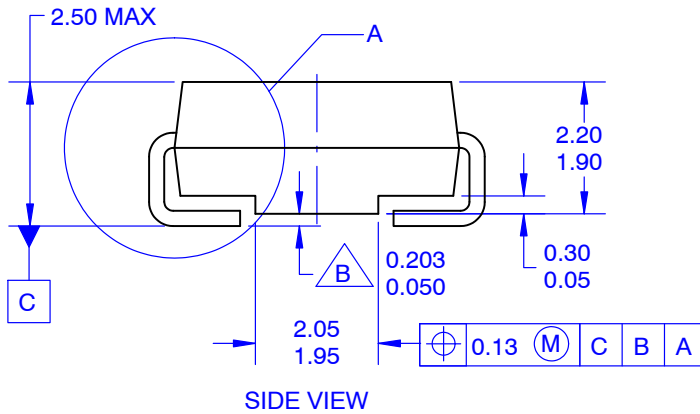
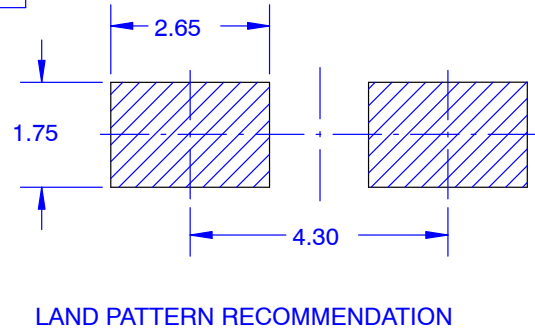


Figure 6. Typical Forward Characteristics

MECHANICAL CASE OUTLINE
PACKAGE DIMENSIONS

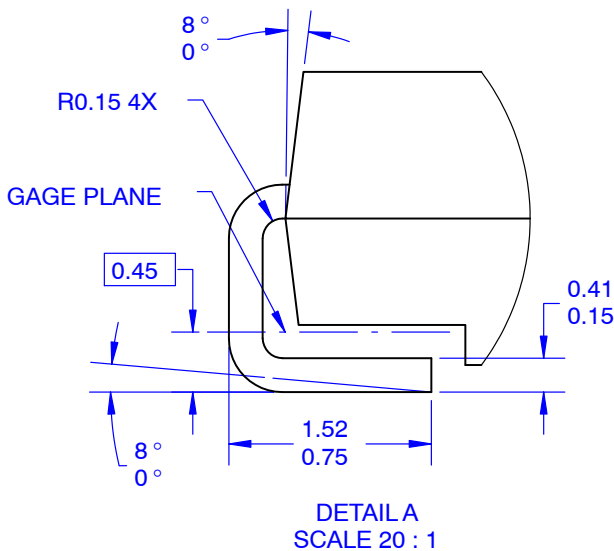
SMA
CASE 403AE
ISSUE O

DATE 31 AUG 2016



NOTES:

- A. EXCEPT WHERE NOTED, CONFORMS TO JEDEC DO214 VARIATION AC.
- B. DOES NOT COMPLY JEDEC STANDARD VALUE.
- C. ALL DIMENSIONS ARE IN MILLIMETERS.
- D. DIMENSIONS ARE EXCLUSIVE OF BURRS, MOLD FLASH AND TIE BAR PROTRUSIONS.
- E. DIMENSIONS AND TOLERANCE AS PER ASME Y14.5-2009.
- E. LAND PATTERN STD. DIOM5025X231M



DOCUMENT NUMBER:	98AON13440G	Electronic versions are uncontrolled except when accessed directly from the Document Repository. Printed versions are uncontrolled except when stamped "CONTROLLED COPY" in red.
DESCRIPTION:	SMA	PAGE 1 OF 1

ON Semiconductor and **ON** are trademarks of Semiconductor Components Industries, LLC dba ON Semiconductor or its subsidiaries in the United States and/or other countries. ON Semiconductor reserves the right to make changes without further notice to any products herein. ON Semiconductor makes no warranty, representation or guarantee regarding the suitability of its products for any particular purpose, nor does ON Semiconductor assume any liability arising out of the application or use of any product or circuit, and specifically disclaims any and all liability, including without limitation special, consequential or incidental damages. ON Semiconductor does not convey any license under its patent rights nor the rights of others.

onsemi, **Onsemi**, and other names, marks, and brands are registered and/or common law trademarks of Semiconductor Components Industries, LLC dba "**onsemi**" or its affiliates and/or subsidiaries in the United States and/or other countries. **onsemi** owns the rights to a number of patents, trademarks, copyrights, trade secrets, and other intellectual property. A listing of **onsemi**'s product/patent coverage may be accessed at www.onsemi.com/site/pdf/Patent-Marking.pdf. **onsemi** reserves the right to make changes at any time to any products or information herein, without notice. The information herein is provided "as-is" and **onsemi** makes no warranty, representation or guarantee regarding the accuracy of the information, product features, availability, functionality, or suitability of its products for any particular purpose, nor does **onsemi** assume any liability arising out of the application or use of any product or circuit, and specifically disclaims any and all liability, including without limitation special, consequential or incidental damages. Buyer is responsible for its products and applications using **onsemi** products, including compliance with all laws, regulations and safety requirements or standards, regardless of any support or applications information provided by **onsemi**. "Typical" parameters which may be provided in **onsemi** data sheets and/or specifications can and do vary in different applications and actual performance may vary over time. All operating parameters, including "Typicals" must be validated for each customer application by customer's technical experts. **onsemi** does not convey any license under any of its intellectual property rights nor the rights of others. **onsemi** products are not designed, intended, or authorized for use as a critical component in life support systems or any FDA Class 3 medical devices or medical devices with a same or similar classification in a foreign jurisdiction or any devices intended for implantation in the human body. Should Buyer purchase or use **onsemi** products for any such unintended or unauthorized application, Buyer shall indemnify and hold **onsemi** and its officers, employees, subsidiaries, affiliates, and distributors harmless against all claims, costs, damages, and expenses, and reasonable attorney fees arising out of, directly or indirectly, any claim of personal injury or death associated with such unintended or unauthorized use, even if such claim alleges that **onsemi** was negligent regarding the design or manufacture of the part. **onsemi** is an Equal Opportunity/Affirmative Action Employer. This literature is subject to all applicable copyright laws and is not for resale in any manner.

PUBLICATION ORDERING INFORMATION

LITERATURE FULFILLMENT:

Email Requests to: orderlit@onsemi.com

onsemi Website: www.onsemi.com

TECHNICAL SUPPORT

North American Technical Support:

Voice Mail: 1 800-282-9855 Toll Free USA/Canada

Phone: 011 421 33 790 2910

Europe, Middle East and Africa Technical Support:

Phone: 00421 33 790 2910

For additional information, please contact your local Sales Representative

X-ON Electronics

Largest Supplier of Electrical and Electronic Components

Click to view similar products for [Rectifiers](#) category:

Click to view products by [ON Semiconductor](#) manufacturer:

Other Similar products are found below :

[70HFR40](#) [RL252-TP](#) [150KR30A](#) [1N5397](#) [NTE5841](#) [NTE6038](#) [SCF5000](#) [1N4002G](#) [1N4005-TR](#) [JANS1N6640US](#) [481235F](#)
[RRE02VS6SGTR](#) [067907F](#) [MS306](#) [70HF40](#) [T85HFL60S02](#) [US2JFL-TP](#) [A1N5404G-G](#) [CRS04\(T5L,TEMQ\)](#) [ACGRA4007-HF](#)
[ACGRB207-HF](#) [CLH03\(TE16L,Q\)](#) [ACGRC307-HF](#) [ACEFC304-HF](#) [NTE6356](#) [NTE6359](#) [NTE6002](#) [NTE6023](#) [NTE6039](#) [NTE6077](#)
[85HFR60](#) [40HFR60](#) [70HF120](#) [85HFR80](#) [D126A45C](#) [SCF7500](#) [D251N08B](#) [SCHJ22.5K](#) [SM100](#) [SCPA2](#) [SCH10000](#) [SDHD5K](#) [VS-](#)
[12FL100S10](#) [ACGRA4001-HF](#) [D1821SH45T PR](#) [D1251S45T](#) [NTE5990](#) [NTE6358](#) [NTE6162](#) [NTE5850](#)