

# LM324, LM324A, LM324E, LM224, LM2902, LM2902E, LM2902V, NCV2902



ON Semiconductor®

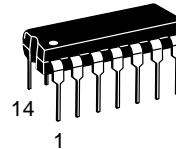
[www.onsemi.com](http://www.onsemi.com)

## Operational Amplifiers, Single Supply, Quad

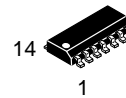
The LM324 series are low-cost, quad operational amplifiers with true differential inputs. They have several distinct advantages over standard operational amplifier types in single supply applications. The quad amplifier can operate at supply voltages as low as 3.0 V or as high as 32 V with quiescent currents about one-fifth of those associated with the MC1741 (on a per amplifier basis). The common mode input range includes the negative supply, thereby eliminating the necessity for external biasing components in many applications. The output voltage range also includes the negative power supply voltage.

### Features

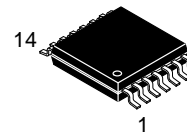
- Short Circuited Protected Outputs
- True Differential Input Stage
- Single Supply Operation: 3.0 V to 32 V
- Low Input Bias Currents: 100 nA Maximum (LM324A)
- Four Amplifiers Per Package
- Internally Compensated
- Common Mode Range Extends to Negative Supply
- Industry Standard Pinouts
- ESD Clamps on the Inputs Increase Ruggedness without Affecting Device Operation
- NCV Prefix for Automotive and Other Applications Requiring Unique Site and Control Change Requirements; AEC-Q100 Qualified and PPAP Capable
- These Devices are Pb-Free, Halogen Free/BFR Free and are RoHS Compliant



PDIP-14  
N SUFFIX  
CASE 646

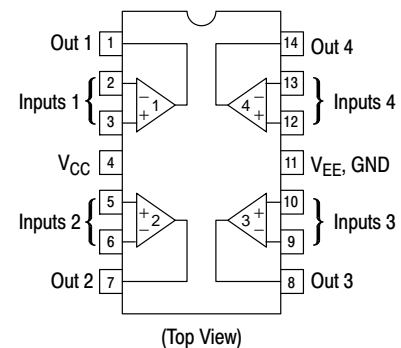


SOIC-14  
D SUFFIX  
CASE 751A



TSSOP-14  
DTB SUFFIX  
CASE 948G

### PIN CONNECTIONS



### ORDERING INFORMATION

See detailed ordering and shipping information in the package dimensions section on page 10 of this data sheet.

### DEVICE MARKING INFORMATION

See general marking information in the device marking section on page 11 of this data sheet.

# LM324, LM324A, LM324E, LM224, LM2902, LM2902E, LM2902V, NCV2902

## MAXIMUM RATINGS (T<sub>A</sub> = +25°C, unless otherwise noted.)

| Rating   | Symbol   | Value  | Unit |
|--|--|--|------|
| Power Supply Voltages<br>Single Supply<br>Split Supplies | V <sub>CC</sub><br>V <sub>CC</sub> , V <sub>EE</sub> | 32<br>±16  | Vdc  |
| Input Differential Voltage Range (Note 1)                | V <sub>IDR</sub>                                     | ±32  | Vdc  |
| Input Common Mode Voltage Range                          | V <sub>ICR</sub>                                     | -0.3 to 32   | Vdc  |
| Output Short Circuit Duration                            | t <sub>SC</sub>                                      | Continuous   |      |
| Junction Temperature                                     | T <sub>J</sub>                                       | 150  | °C   |
| Thermal Resistance, Junction-to-Air (Note 2)             | R <sub>θJA</sub>                                     | Case 646<br>118<br>Case 751A<br>156<br>Case 948G<br>190  | °C/W |
| Storage Temperature Range                                | T <sub>stg</sub>                                     | -65 to +150  | °C   |
| Operating Ambient Temperature Range                      | T <sub>A</sub>                                       | LM224<br>-25 to +85<br>LM324, LM324A, LM324E<br>0 to +70<br>LM2902, LM2902E<br>-40 to +105<br>LM2902V, NCV2902 (Note 3)<br>-40 to +125 | °C   |

Stresses exceeding those listed in the Maximum Ratings table may damage the device. If any of these limits are exceeded, device functionality should not be assumed, damage may occur and reliability may be affected.

1. Split Power Supplies.
2. All R<sub>θJA</sub> measurements made on evaluation board with 1 oz. copper traces of minimum pad size. All device outputs were active.
3. NCV2902 is qualified for automotive use.

## ESD RATINGS

| Rating   | HBM  | MM  | Unit |
|--|------|-----|------|
| ESD Protection at any Pin (Human Body Model – HBM, Machine Model – MM) |      |     |      |
| NCV2902 (Note 3)   | 2000 | 200 | V    |
| LM324E, LM2902E  | 2000 | 200 | V    |
| LM324DG/DR2G, LM2902DG/DR2G  | 200  | 100 | V    |
| All Other Devices  | 2000 | 200 | V    |

# LM324, LM324A, LM324E, LM224, LM2902, LM2902E, LM2902V, NCV2902

## ELECTRICAL CHARACTERISTICS ( $V_{CC} = 5.0\text{ V}$ , $V_{EE} = \text{GND}$ , $T_A = 25^\circ\text{C}$ , unless otherwise noted.)

| Characteristics   | Symbol                   | LM224 |      |          | LM324A |      |          | LM324, LM324E |      |          | LM2902, LM2902E |      |          | LM2902V/NCV2902 |      |          | Unit                         |
|---|--------------------------|-------|------|----------|--------|------|----------|---------------|------|----------|-----------------|------|----------|-----------------|------|----------|------------------------------|
|   |                          | Min   | Typ  | Max      | Min    | Typ  | Max      | Min           | Typ  | Max      | Min             | Typ  | Max      | Min             | Typ  | Max      |                              |
| Input Offset Voltage<br>$V_{CC} = 5.0\text{ V}$ to $30\text{ V}$<br>$V_{ICR} = 0\text{ V}$ to<br>$V_{CC} - 1.7\text{ V}$ ,<br>$V_O = 1.4\text{ V}$ , $R_S = 0\ \Omega$<br>$T_A = 25^\circ\text{C}$<br>$T_A = T_{\text{high}}$ (Note 4)<br>$T_A = T_{\text{low}}$ (Note 4) | $V_{IO}$                 | -     | 2.0  | 5.0      | -      | 2.0  | 3.0      | -             | 2.0  | 7.0      | -               | 2.0  | 7.0      | -               | 2.0  | 7.0      | mV                           |
| Average Temperature Coefficient of Input Offset Voltage<br>$T_A = T_{\text{high}}$ to $T_{\text{low}}$ (Notes 4 and 6)  | $\Delta V_{IO}/\Delta T$ | -     | 7.0  | -        | -      | 7.0  | 30       | -             | 7.0  | -        | -               | 7.0  | -        | -               | 7.0  | -        | $\mu\text{V}/^\circ\text{C}$ |
| Input Offset Current<br>$T_A = T_{\text{high}}$ to $T_{\text{low}}$ (Note 4)  | $I_{IO}$                 | -     | 3.0  | 30       | -      | 5.0  | 30       | -             | 5.0  | 50       | -               | 5.0  | 50       | -               | 5.0  | 50       | nA                           |
| Average Temperature Coefficient of Input Offset Current<br>$T_A = T_{\text{high}}$ to $T_{\text{low}}$ (Notes 4 and 6)  | $\Delta I_{IO}/\Delta T$ | -     | 10   | -        | -      | 10   | 300      | -             | 10   | -        | -               | 10   | -        | -               | 10   | -        | $\text{pA}/^\circ\text{C}$   |
| Input Bias Current<br>$T_A = T_{\text{high}}$ to $T_{\text{low}}$ (Note 4)  | $I_{IB}$                 | -     | -90  | -150     | -      | -45  | -100     | -             | -90  | -250     | -               | -90  | -250     | -               | -90  | -250     | nA                           |
| Input Common Mode Voltage Range (Note 5)<br>$V_{CC} = 30\text{ V}$<br>$T_A = +25^\circ\text{C}$<br>$T_A = T_{\text{high}}$ to $T_{\text{low}}$ (Note 4)   | $V_{ICR}$                | 0     | -    | 28.3     | 0      | -    | 28.3     | 0             | -    | 28.3     | 0               | -    | 28.3     | 0               | -    | 28.3     | V                            |
| Differential Input Voltage Range  | $V_{IDR}$                | -     | -    | $V_{CC}$ | -      | -    | $V_{CC}$ | -             | -    | $V_{CC}$ | -               | -    | $V_{CC}$ | -               | -    | $V_{CC}$ | V                            |
| Large Signal Open Loop Voltage Gain<br>$R_L = 2.0\text{ k}\Omega$ ,<br>$V_{CC} = 15\text{ V}$ ,<br>for Large $V_O$ Swing<br>$T_A = T_{\text{high}}$ to $T_{\text{low}}$ (Note 4)  | $A_{VOL}$                | 50    | 100  | -        | 25     | 100  | -        | 25            | 100  | -        | 25              | 100  | -        | 25              | 100  | -        | V/mV                         |
| Channel Separation<br>$10\text{ kHz} \leq f \leq 20\text{ kHz}$ ,<br>Input Referenced   | CS                       | -     | -120 | -        | -      | -120 | -        | -             | -120 | -        | -               | -120 | -        | -               | -120 | -        | dB                           |
| Common Mode Rejection,<br>$R_S \leq 10\text{ k}\Omega$  | CMR                      | 70    | 85   | -        | 65     | 70   | -        | 65            | 70   | -        | 50              | 70   | -        | 50              | 70   | -        | dB                           |
| Power Supply Rejection  | PSR                      | 65    | 100  | -        | 65     | 100  | -        | 65            | 100  | -        | 50              | 100  | -        | 50              | 100  | -        | dB                           |

4. LM224:  $T_{\text{low}} = -25^\circ\text{C}$ ,  $T_{\text{high}} = +85^\circ\text{C}$   
 LM324/LM324A/LM324E:  $T_{\text{low}} = 0^\circ\text{C}$ ,  $T_{\text{high}} = +70^\circ\text{C}$   
 LM2902/LM2902E:  $T_{\text{low}} = -40^\circ\text{C}$ ,  $T_{\text{high}} = +105^\circ\text{C}$   
 LM2902V & NCV2902:  $T_{\text{low}} = -40^\circ\text{C}$ ,  $T_{\text{high}} = +125^\circ\text{C}$   
*NCV2902 is qualified for automotive use.*

5. The input common mode voltage or either input signal voltage should not be allowed to go negative by more than 0.3 V. The upper end of the common mode voltage range is  $V_{CC} - 1.7\text{ V}$ , but either or both inputs can go to +32 V without damage, independent of the magnitude of  $V_{CC}$ .
6. Guaranteed by design.

# LM324, LM324A, LM324E, LM224, LM2902, LM2902E, LM2902V, NCV2902

## ELECTRICAL CHARACTERISTICS (V<sub>CC</sub> = 5.0 V, V<sub>EE</sub> = GND, T<sub>A</sub> = 25°C, unless otherwise noted.)

| Characteristics   | Symbol          | LM224 |     |     | LM324A |     |     | LM324, LM324E |     |     | LM2902, LM2902E |     |     | LM2902V/NCV2902 |     |     | Unit |
|---|-----------------|-------|-----|-----|--------|-----|-----|---------------|-----|-----|-----------------|-----|-----|-----------------|-----|-----|------|
|   |                 | Min   | Typ | Max | Min    | Typ | Max | Min           | Typ | Max | Min             | Typ | Max | Min             | Typ | Max |      |
| Output Voltage – High Limit<br>V <sub>CC</sub> = 5.0 V, R <sub>L</sub> = 2.0 kΩ, T <sub>A</sub> = 25°C<br>V <sub>CC</sub> = 30 V<br>R <sub>L</sub> = 2.0 kΩ<br>(T <sub>A</sub> = T <sub>high</sub> to T <sub>low</sub> )<br>(Note 7)<br>V <sub>CC</sub> = 30 V<br>R <sub>L</sub> = 10 kΩ<br>(T <sub>A</sub> = T <sub>high</sub> to T <sub>low</sub> )<br>(Note 7) | V <sub>OH</sub> | 3.3   | 3.5 | –   | 3.3    | 3.5 | –   | 3.3           | 3.5 | –   | 3.3             | 3.5 | –   | 3.3             | 3.5 | –   | V    |
| Output Voltage – Low Limit,<br>V <sub>CC</sub> = 5.0 V,<br>R <sub>L</sub> = 10 kΩ,<br>T <sub>A</sub> = T <sub>high</sub> to T <sub>low</sub><br>(Note 7)  | V <sub>OL</sub> | –     | 5.0 | 20  | –      | 5.0 | 20  | –             | 5.0 | 20  | –               | 5.0 | 100 | –               | 5.0 | 100 | mV   |
| Output Source Current<br>(V <sub>ID</sub> = +1.0 V,<br>V <sub>CC</sub> = 15 V)<br>T <sub>A</sub> = 25°C<br>T <sub>A</sub> = T <sub>high</sub> to T <sub>low</sub><br>(Note 7)   | I <sub>O+</sub> | 20    | 40  | –   | 20     | 40  | –   | 20            | 40  | –   | 20              | 40  | –   | 20              | 40  | –   | mA   |
| Output Sink Current<br>(V <sub>ID</sub> = –1.0 V,<br>V <sub>CC</sub> = 15 V)<br>T <sub>A</sub> = 25°C<br>T <sub>A</sub> = T <sub>high</sub> to T <sub>low</sub><br>(Note 7)<br>(V <sub>ID</sub> = –1.0 V,<br>V <sub>O</sub> = 200 mV,<br>T <sub>A</sub> = 25°C)   | I <sub>O–</sub> | 10    | 20  | –   | 10     | 20  | –   | 10            | 20  | –   | 10              | 20  | –   | 10              | 20  | –   | mA   |
| Output Short Circuit to Ground<br>(Note 8)  | I <sub>SC</sub> | –     | 40  | 60  | –      | 40  | 60  | –             | 40  | 60  | –               | 40  | 60  | –               | 40  | 60  | mA   |
| Power Supply Current<br>(T <sub>A</sub> = T <sub>high</sub> to T <sub>low</sub> )<br>(Note 7)<br>V <sub>CC</sub> = 30 V<br>V <sub>O</sub> = 0 V, R <sub>L</sub> = ∞<br>V <sub>CC</sub> = 5.0 V,<br>V <sub>O</sub> = 0 V, R <sub>L</sub> = ∞   | I <sub>CC</sub> | –     | –   | 3.0 | –      | 1.4 | 3.0 | –             | –   | 3.0 | –               | –   | 3.0 | –               | –   | 3.0 | mA   |
|   |                 | –     | –   | 1.2 | –      | 0.7 | 1.2 | –             | –   | 1.2 | –               | –   | 1.2 | –               | –   | 1.2 | mA   |

7. LM224: T<sub>low</sub> = –25°C, T<sub>high</sub> = +85°C  
 LM324/LM324A/LM324E: T<sub>low</sub> = 0°C, T<sub>high</sub> = +70°C  
 LM2902/LM2902E: T<sub>low</sub> = –40°C, T<sub>high</sub> = +105°C  
 LM2902V & NCV2902: T<sub>low</sub> = –40°C, T<sub>high</sub> = +125°C  
 NCV2902 is qualified for automotive use.

8. The input common mode voltage or either input signal voltage should not be allowed to go negative by more than 0.3 V. The upper end of the common mode voltage range is V<sub>CC</sub> – 1.7 V, but either or both inputs can go to +32 V without damage, independent of the magnitude of V<sub>CC</sub>.

Product parametric performance is indicated in the Electrical Characteristics for the listed test conditions, unless otherwise noted. Product performance may not be indicated by the Electrical Characteristics if operated under different conditions.

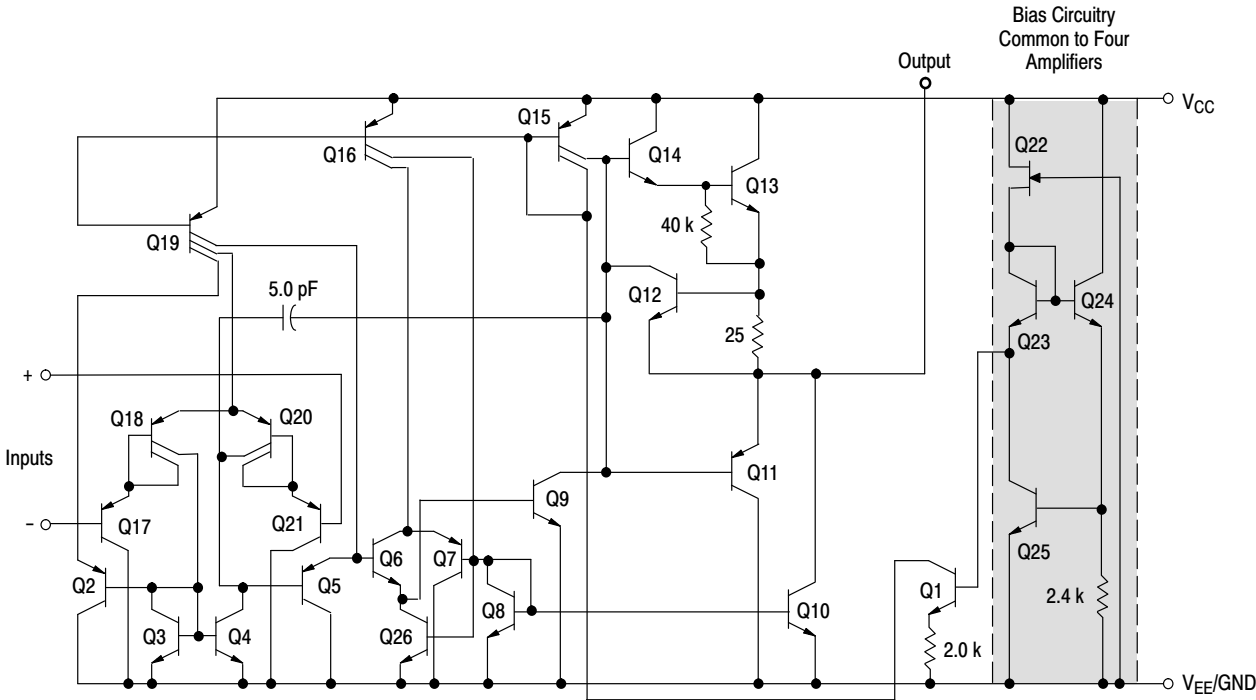


Figure 1. Representative Circuit Diagram  
(One-Fourth of Circuit Shown)

CIRCUIT DESCRIPTION

The LM324 series is made using four internally compensated, two-stage operational amplifiers. The first stage of each consists of differential input devices Q20 and Q18 with input buffer transistors Q21 and Q17 and the differential to single ended converter Q3 and Q4. The first stage performs not only the first stage gain function but also performs the level shifting and transconductance reduction functions. By reducing the transconductance, a smaller compensation capacitor (only 5.0 pF) can be employed, thus saving chip area. The transconductance reduction is accomplished by splitting the collectors of Q20 and Q18. Another feature of this input stage is that the input common mode range can include the negative supply or ground, in single supply operation, without saturating either the input devices or the differential to single-ended converter. The second stage consists of a standard current source load amplifier stage.

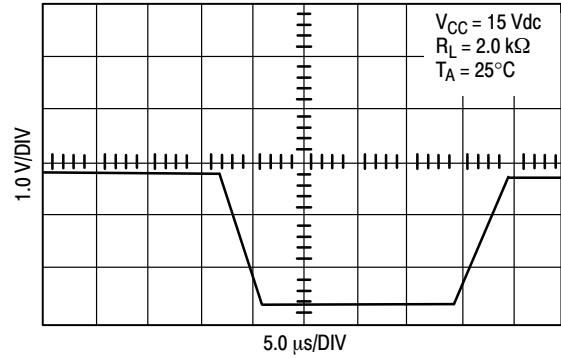


Figure 2. Large Signal Voltage Follower Response

Each amplifier is biased from an internal-voltage regulator which has a low temperature coefficient thus giving each amplifier good temperature characteristics as well as excellent power supply rejection.

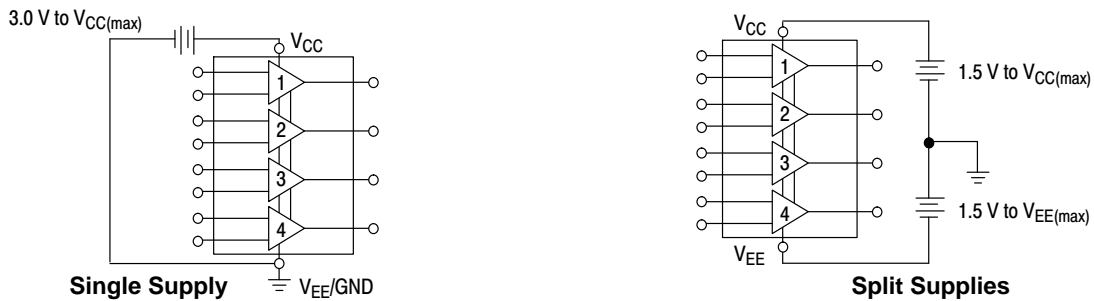


Figure 3.

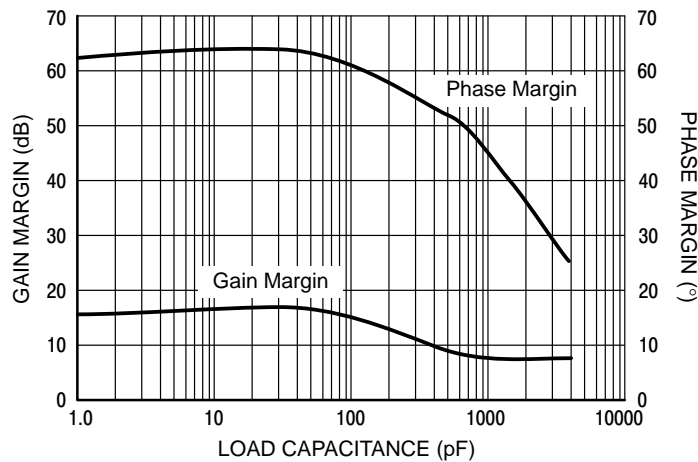


Figure 4. Gain and Phase Margin

LM324, LM324A, LM324E, LM224, LM2902, LM2902E, LM2902V, NCV2902



Figure 5. Input Voltage Range

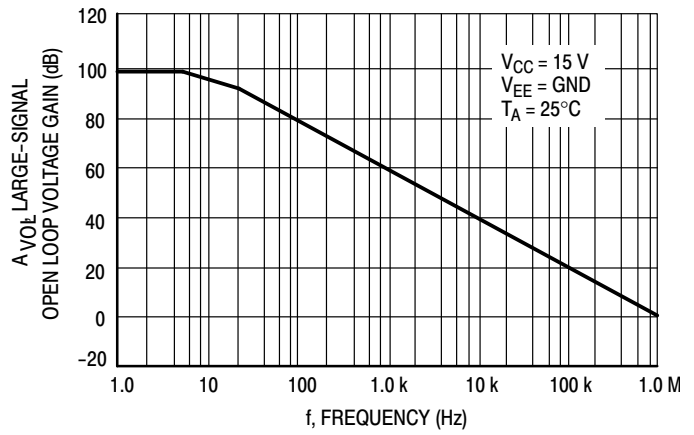


Figure 6. Open Loop Frequency



Figure 7. Large-Signal Frequency Response

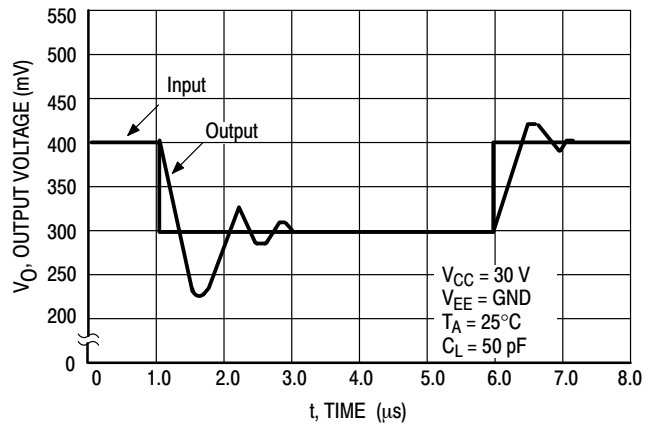


Figure 8. Small-Signal Voltage Follower Pulse Response (Noninverting)



Figure 9. Power Supply Current versus Power Supply Voltage

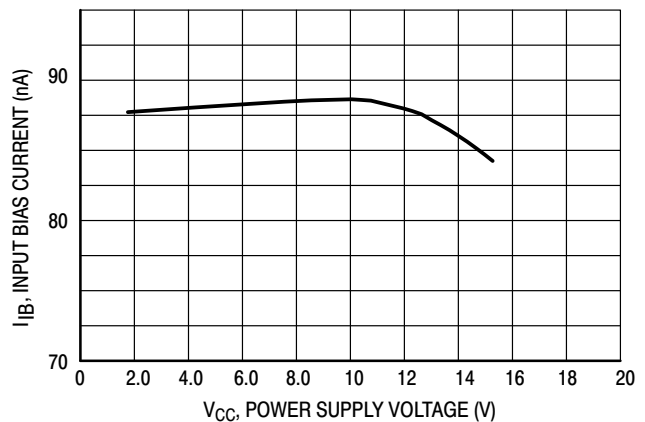


Figure 10. Input Bias Current versus Power Supply Voltage

LM324, LM324A, LM324E, LM224, LM2902, LM2902E, LM2902V, NCV2902

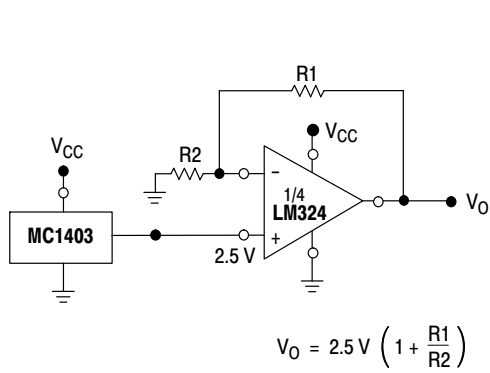


Figure 11. Voltage Reference

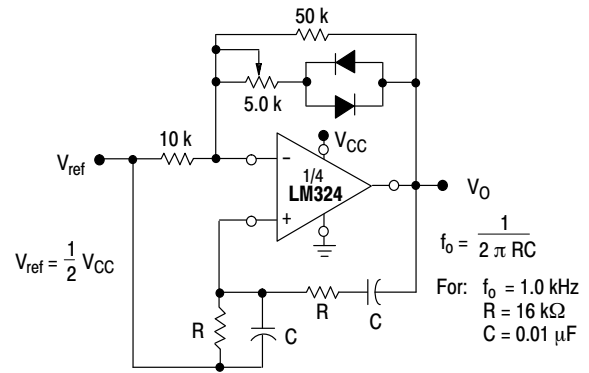


Figure 12. Wien Bridge Oscillator

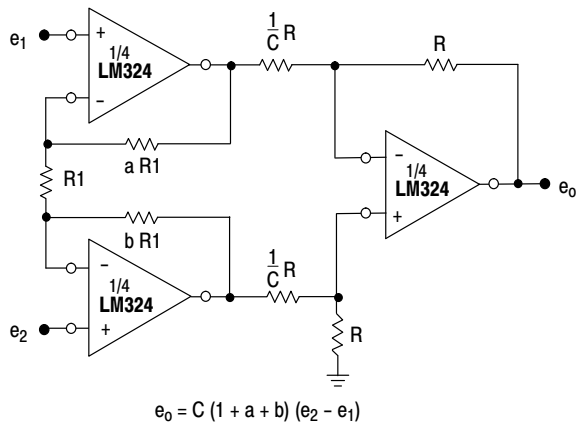


Figure 13. High Impedance Differential Amplifier

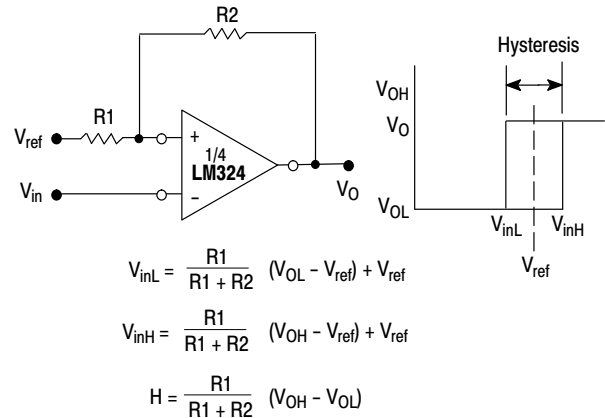


Figure 14. Comparator with Hysteresis

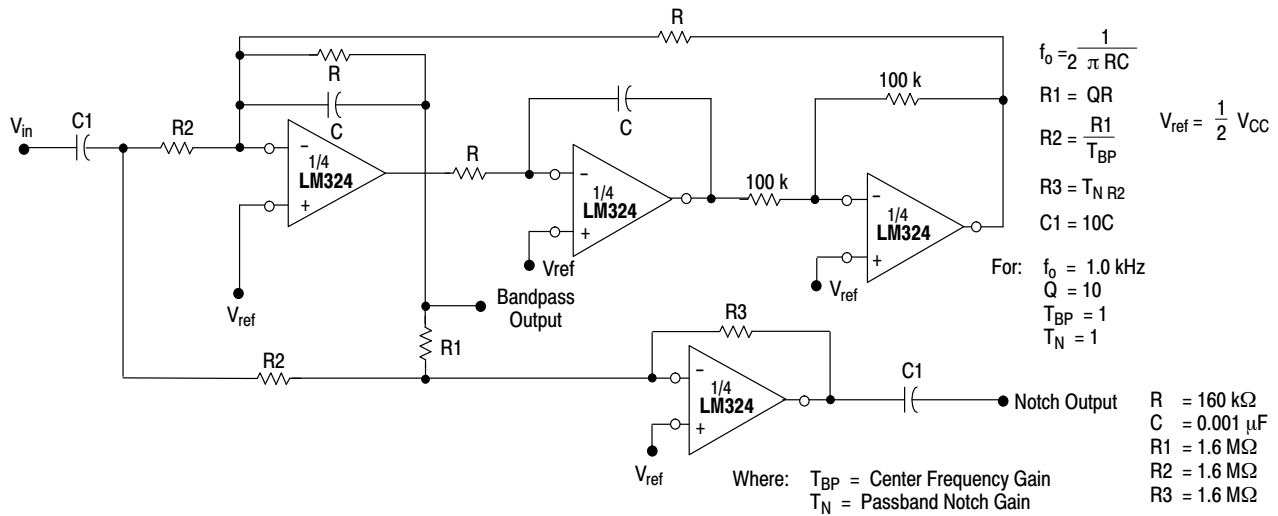


Figure 15. Bi-Quad Filter



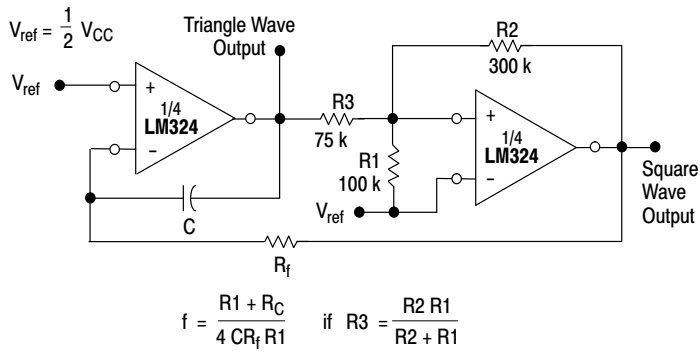


Figure 16. Function Generator

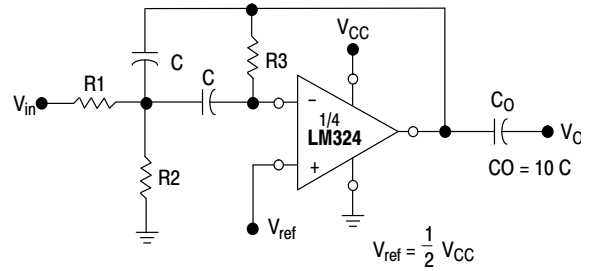


Figure 17. Multiple Feedback Bandpass Filter

Given:  $f_0$  = center frequency  
 $A(f_0)$  = gain at center frequency

Choose value  $f_0, C$

Then: 
$$R3 = \frac{Q}{\pi f_0 C}$$

$$R1 = \frac{R3}{2 A(f_0)}$$

$$R2 = \frac{R1 R3}{4Q^2 R1 - R3}$$

For less than 10% error from operational amplifier,  $\frac{Q_0 f_0}{BW} < 0.1$

where  $f_0$  and BW are expressed in Hz.

If source impedance varies, filter may be preceded with voltage follower buffer to stabilize filter parameters.

# LM324, LM324A, LM324E, LM224, LM2902, LM2902E, LM2902V, NCV2902

## ORDERING INFORMATION

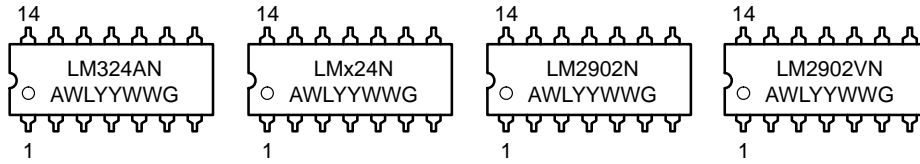
| Device         | Operating Temperature Range | Package            | Shipping <sup>†</sup> |
|----------------|-----------------------------|--------------------|-----------------------|
| LM224DG        | -25°C to +85°C              | SOIC-14 (Pb-Free)  | 55 Units/Rail         |
| LM224DR2G      |                             | SOIC-14 (Pb-Free)  | 2500/Tape & Reel      |
| LM224DTBG      |                             | TSSOP-14 (Pb-Free) | 96 Units/Tube         |
| LM224DTBR2G    |                             | TSSOP-14 (Pb-Free) | 2500/Tape & Reel      |
| LM224NG        |                             | PDIP-14 (Pb-Free)  | 25 Units/Rail         |
| LM324DG        | 0°C to +70°C                | SOIC-14 (Pb-Free)  | 55 Units/Rail         |
| LM324DR2G      |                             | SOIC-14 (Pb-Free)  | 2500/Tape & Reel      |
| LM324EDR2G     |                             | SOIC-14 (Pb-Free)  | 2500/Tape & Reel      |
| LM324DTBG      |                             | TSSOP-14 (Pb-Free) | 96 Units/Tube         |
| LM324DTBR2G    |                             | TSSOP-14 (Pb-Free) | 2500/Tape & Reel      |
| LM324NG        |                             | PDIP-14 (Pb-Free)  | 25 Units/Rail         |
| LM324ADG       |                             | SOIC-14 (Pb-Free)  | 55 Units/Rail         |
| LM324ADR2G     |                             | SOIC-14 (Pb-Free)  | 2500/Tape & Reel      |
| LM324ADTBG     |                             | TSSOP-14 (Pb-Free) | 96 Units/Tube         |
| LM324ADTBR2G   |                             | TSSOP-14 (Pb-Free) | 2500/Tape & Reel      |
| LM324ANG       |                             | PDIP-14 (Pb-Free)  | 25 Units/Rail         |
| LM2902DG       | -40°C to +105°C             | SOIC-14 (Pb-Free)  | 55 Units/Rail         |
| LM2902DR2G     |                             | SOIC-14 (Pb-Free)  | 2500/Tape & Reel      |
| LM2902EDR2G    |                             | SOIC-14 (Pb-Free)  | 2500/Tape & Reel      |
| LM2902DTBG     |                             | TSSOP-14 (Pb-Free) | 96 Units/Tube         |
| LM2902DTBR2G   |                             | TSSOP-14 (Pb-Free) | 2500/Tape & Reel      |
| LM2902NG       |                             | PDIP-14 (Pb-Free)  | 25 Units/Rail         |
| LM2902VDG      | -40°C to +125°C             | SOIC-14 (Pb-Free)  | 55 Units/Rail         |
| LM2902VDR2G    |                             | SOIC-14 (Pb-Free)  | 2500/Tape & Reel      |
| LM2902VDTBG    |                             | TSSOP-14 (Pb-Free) | 96 Units/Tube         |
| LM2902VDTBR2G  |                             | TSSOP-14 (Pb-Free) | 2500/Tape & Reel      |
| LM2902VNG      |                             | PDIP-14 (Pb-Free)  | 25 Units/Rail         |
| NCV2902DR2G*   |                             | SOIC-14 (Pb-Free)  | 2500/Tape & Reel      |
| NCV2902DTBR2G* |                             | TSSOP-14 (Pb-Free) |                       |

<sup>†</sup>For information on tape and reel specifications, including part orientation and tape sizes, please refer to our Tape and Reel Packaging Specifications Brochure, BRD8011/D.

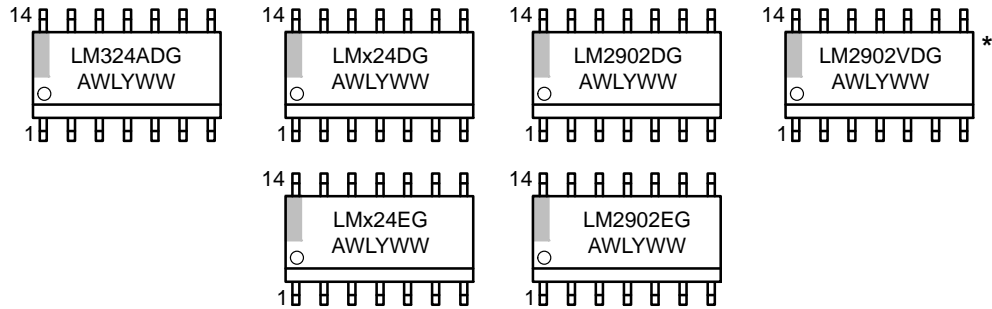
\*NCV Prefix for Automotive and Other Applications Requiring Unique Site and Control Change Requirements; AEC-Q100 Qualified and PPAP Capable.

MARKING DIAGRAMS

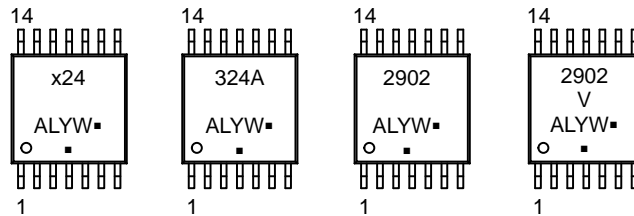
PDIP-14  
N SUFFIX  
CASE 646



SOIC-14  
D SUFFIX  
CASE 751A



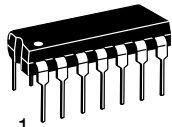
TSSOP-14  
DTB SUFFIX  
CASE 948G



- x = 2 or 3
  - A = Assembly Location
  - WL, L = Wafer Lot
  - YY, Y = Year
  - WW, W = Work Week
  - G or ■ = Pb-Free Package
- (Note: Microdot may be in either location)  
\*This marking diagram also applies to NCV2902.

# MECHANICAL CASE OUTLINE PACKAGE DIMENSIONS

ON Semiconductor®

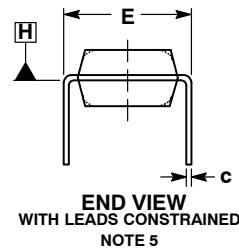


SCALE 1:1



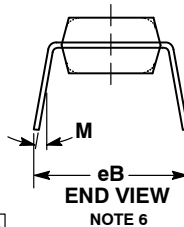
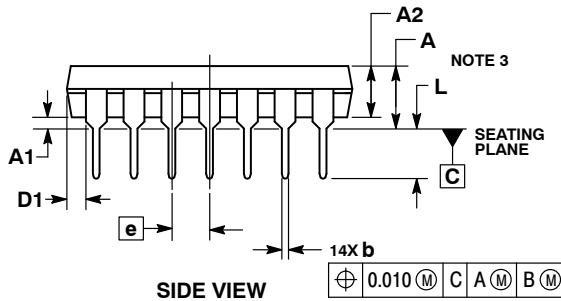
PDIP-14  
CASE 646-06  
ISSUE S

DATE 22 APR 2015



NOTES:

1. DIMENSIONING AND TOLERANCING PER ASME Y14.5M, 1994.
2. CONTROLLING DIMENSION: INCHES.
3. DIMENSIONS A, A1 AND L ARE MEASURED WITH THE PACKAGE SEATED IN JEDEC SEATING PLANE GAUGE GS-3.
4. DIMENSIONS D, D1 AND E1 DO NOT INCLUDE MOLD FLASH OR PROTRUSIONS. MOLD FLASH OR PROTRUSIONS ARE NOT TO EXCEED 0.10 INCH.
5. DIMENSION E IS MEASURED AT A POINT 0.015 BELOW DATUM PLANE H WITH THE LEADS CONSTRAINED PERPENDICULAR TO DATUM C.
6. DIMENSION eB IS MEASURED AT THE LEAD TIPS WITH THE LEADS UNCONSTRAINED.
7. DATUM PLANE H IS COINCIDENT WITH THE BOTTOM OF THE LEADS, WHERE THE LEADS EXIT THE BODY.
8. PACKAGE CONTOUR IS OPTIONAL (ROUNDED OR SQUARE CORNERS).



| DIM | INCHES    |       | MILLIMETERS |       |
|-----|-----------|-------|-------------|-------|
|     | MIN       | MAX   | MIN         | MAX   |
| A   | ----      | 0.210 | ----        | 5.33  |
| A1  | 0.015     | ----  | 0.38        | ----  |
| A2  | 0.115     | 0.195 | 2.92        | 4.95  |
| b   | 0.014     | 0.022 | 0.35        | 0.56  |
| b2  | 0.060 TYP |       | 1.52 TYP    |       |
| C   | 0.008     | 0.014 | 0.20        | 0.36  |
| D   | 0.735     | 0.775 | 18.67       | 19.69 |
| D1  | 0.005     | ----  | 0.13        | ----  |
| E   | 0.300     | 0.325 | 7.62        | 8.26  |
| E1  | 0.240     | 0.280 | 6.10        | 7.11  |
| e   | 0.100 BSC |       | 2.54 BSC    |       |
| eB  | ----      | 0.430 | ----        | 10.92 |
| L   | 0.115     | 0.150 | 2.92        | 3.81  |
| M   | ----      | 10°   | ----        | 10°   |

GENERIC MARKING DIAGRAM\*



- XXXXX = Specific Device Code
- A = Assembly Location
- WL = Wafer Lot
- YY = Year
- WW = Work Week
- G = Pb-Free Package

\*This information is generic. Please refer to device data sheet for actual part marking. Pb-Free indicator, "G" or microdot "▪", may or may not be present.

STYLES ON PAGE 2

|                  |             |  |
|------------------|-------------|--|
| DOCUMENT NUMBER: | 98ASB42428B | Electronic versions are uncontrolled except when accessed directly from the Document Repository. Printed versions are uncontrolled except when stamped "CONTROLLED COPY" in red. |
| DESCRIPTION:     | PDIP-14     | PAGE 1 OF 2  |

ON Semiconductor and ON are trademarks of Semiconductor Components Industries, LLC dba ON Semiconductor or its subsidiaries in the United States and/or other countries. ON Semiconductor reserves the right to make changes without further notice to any products herein. ON Semiconductor makes no warranty, representation or guarantee regarding the suitability of its products for any particular purpose, nor does ON Semiconductor assume any liability arising out of the application or use of any product or circuit, and specifically disclaims any and all liability, including without limitation special, consequential or incidental damages. ON Semiconductor does not convey any license under its patent rights nor the rights of others.

**PDIP-14**  
**CASE 646-06**  
**ISSUE S**

DATE 22 APR 2015

**STYLE 1:**  
 PIN 1. COLLECTOR  
 2. BASE  
 3. EMITTER  
 4. NO  
**CONNECTION**  
 5. EMITTER  
 6. BASE  
 7. COLLECTOR  
 8. COLLECTOR  
 9. BASE  
 10. EMITTER  
 11. NO  
**CONNECTION**  
 12. EMITTER  
 13. BASE  
 14. COLLECTOR

**STYLE 2:**  
 CANCELLED

**STYLE 3:**  
 CANCELLED

**STYLE 4:**  
 PIN 1. DRAIN  
 2. SOURCE  
 3. GATE  
 4. NO  
**CONNECTION**  
 5. GATE  
 6. SOURCE  
 7. DRAIN  
 8. DRAIN  
 9. SOURCE  
 10. GATE  
 11. NO  
**CONNECTION**  
 12. GATE  
 13. SOURCE  
 14. DRAIN

**STYLE 5:**  
 PIN 1. GATE  
 2. DRAIN  
 3. SOURCE  
 4. NO CONNECTION  
 5. SOURCE  
 6. DRAIN  
 7. GATE  
 8. GATE  
 9. DRAIN  
 10. SOURCE  
 11. NO CONNECTION  
 12. SOURCE  
 13. DRAIN  
 14. GATE

**STYLE 6:**  
 PIN 1. COMMON CATHODE  
 2. ANODE/CATHODE  
 3. ANODE/CATHODE  
 4. NO CONNECTION  
 5. ANODE/CATHODE  
 6. NO CONNECTION  
 7. ANODE/CATHODE  
 8. ANODE/CATHODE  
 9. ANODE/CATHODE  
 10. NO CONNECTION  
 11. ANODE/CATHODE  
 12. ANODE/CATHODE  
 13. NO CONNECTION  
 14. COMMON ANODE

**STYLE 7:**  
 PIN 1. NO CONNECTION  
 2. ANODE  
 3. ANODE  
 4. NO CONNECTION  
 5. ANODE  
 6. NO CONNECTION  
 7. ANODE  
 8. ANODE  
 9. ANODE  
 10. NO CONNECTION  
 11. ANODE  
 12. ANODE  
 13. NO CONNECTION  
 14. COMMON  
 CATHODE

**STYLE 8:**  
 PIN 1. NO CONNECTION  
 2. CATHODE  
 3. CATHODE  
 4. NO CONNECTION  
 5. CATHODE  
 6. NO CONNECTION  
 7. CATHODE  
 8. CATHODE  
 9. CATHODE  
 10. NO CONNECTION  
 11. CATHODE  
 12. CATHODE  
 13. NO CONNECTION  
 14. COMMON ANODE

**STYLE 9:**  
 PIN 1. COMMON CATHODE  
 2. ANODE/CATHODE  
 3. ANODE/CATHODE  
 4. NO CONNECTION  
 5. ANODE/CATHODE  
 6. ANODE/CATHODE  
 7. COMMON ANODE  
 8. COMMON ANODE  
 9. ANODE/CATHODE  
 10. ANODE/CATHODE  
 11. NO CONNECTION  
 12. ANODE/CATHODE  
 13. ANODE/CATHODE  
 14. COMMON CATHODE

**STYLE 10:**  
 PIN 1. COMMON  
 CATHODE  
 2. ANODE/CATHODE  
 3. ANODE/CATHODE  
 4. ANODE/CATHODE  
 5. ANODE/CATHODE  
 6. NO CONNECTION  
 7. COMMON ANODE  
 8. COMMON  
 CATHODE  
 9. ANODE/CATHODE  
 10. ANODE/CATHODE  
 11. ANODE/CATHODE  
 12. ANODE/CATHODE  
 13. NO CONNECTION  
 14. COMMON ANODE

**STYLE 11:**  
 PIN 1. CATHODE  
 2. CATHODE  
 3. CATHODE  
 4. CATHODE  
 5. CATHODE  
 6. CATHODE  
 7. CATHODE  
 8. ANODE  
 9. ANODE  
 10. ANODE  
 11. ANODE  
 12. ANODE  
 13. ANODE  
 14. ANODE

**STYLE 12:**  
 PIN 1. COMMON CATHODE  
 2. COMMON ANODE  
 3. ANODE/CATHODE  
 4. ANODE/CATHODE  
 5. ANODE/CATHODE  
 6. COMMON ANODE  
 7. COMMON CATHODE  
 8. ANODE/CATHODE  
 9. ANODE/CATHODE  
 10. ANODE/CATHODE  
 11. ANODE/CATHODE  
 12. ANODE/CATHODE  
 13. ANODE/CATHODE  
 14. ANODE/CATHODE

|                         |                    |   |
|-------------------------|--------------------|---|
| <b>DOCUMENT NUMBER:</b> | <b>98ASB42428B</b> | Electronic versions are uncontrolled except when accessed directly from the Document Repository.<br>Printed versions are uncontrolled except when stamped "CONTROLLED COPY" in red. |
| <b>DESCRIPTION:</b>     | <b>PDIP-14</b>     | <b>PAGE 2 OF 2</b>  |

ON Semiconductor and  are trademarks of Semiconductor Components Industries, LLC dba ON Semiconductor or its subsidiaries in the United States and/or other countries. ON Semiconductor reserves the right to make changes without further notice to any products herein. ON Semiconductor makes no warranty, representation or guarantee regarding the suitability of its products for any particular purpose, nor does ON Semiconductor assume any liability arising out of the application or use of any product or circuit, and specifically disclaims any and all liability, including without limitation special, consequential or incidental damages. ON Semiconductor does not convey any license under its patent rights nor the rights of others.

# MECHANICAL CASE OUTLINE PACKAGE DIMENSIONS

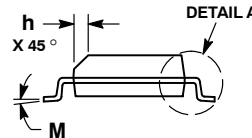
ON Semiconductor®



SCALE 1:1

SOIC-14 NB  
CASE 751A-03  
ISSUE L

DATE 03 FEB 2016



NOTES:

1. DIMENSIONING AND TOLERANCING PER ASME Y14.5M, 1994.
2. CONTROLLING DIMENSION: MILLIMETERS.
3. DIMENSION b DOES NOT INCLUDE DAMBAR PROTRUSION. ALLOWABLE PROTRUSION SHALL BE 0.13 TOTAL IN EXCESS OF AT MAXIMUM MATERIAL CONDITION.
4. DIMENSIONS D AND E DO NOT INCLUDE MOLD PROTRUSIONS.
5. MAXIMUM MOLD PROTRUSION 0.15 PER SIDE.

| DIM | MILLIMETERS |      | INCHES    |       |
|-----|-------------|------|-----------|-------|
|     | MIN         | MAX  | MIN       | MAX   |
| A   | 1.35        | 1.75 | 0.054     | 0.068 |
| A1  | 0.10        | 0.25 | 0.004     | 0.010 |
| A3  | 0.19        | 0.25 | 0.008     | 0.010 |
| b   | 0.35        | 0.49 | 0.014     | 0.019 |
| D   | 8.55        | 8.75 | 0.337     | 0.344 |
| E   | 3.80        | 4.00 | 0.150     | 0.157 |
| e   | 1.27 BSC    |      | 0.050 BSC |       |
| H   | 5.80        | 6.20 | 0.228     | 0.244 |
| h   | 0.25        | 0.50 | 0.010     | 0.019 |
| L   | 0.40        | 1.25 | 0.016     | 0.049 |
| M   | 0°          | 7°   | 0°        | 7°    |

SOLDERING FOOTPRINT\*



DIMENSIONS: MILLIMETERS

\*For additional information on our Pb-Free strategy and soldering details, please download the ON Semiconductor Soldering and Mounting Techniques Reference Manual, SOLDERRM/D.

GENERIC MARKING DIAGRAM\*



- XXXXXX = Specific Device Code
- A = Assembly Location
- WL = Wafer Lot
- Y = Year
- WW = Work Week
- G = Pb-Free Package

\*This information is generic. Please refer to device data sheet for actual part marking. Pb-Free indicator, "G" or microdot "▪", may or may not be present.

STYLES ON PAGE 2

|                  |             |  |
|------------------|-------------|--|
| DOCUMENT NUMBER: | 98ASB42565B | Electronic versions are uncontrolled except when accessed directly from the Document Repository. Printed versions are uncontrolled except when stamped "CONTROLLED COPY" in red. |
| DESCRIPTION:     | SOIC-14 NB  | PAGE 1 OF 2  |

ON Semiconductor and ON are trademarks of Semiconductor Components Industries, LLC dba ON Semiconductor or its subsidiaries in the United States and/or other countries. ON Semiconductor reserves the right to make changes without further notice to any products herein. ON Semiconductor makes no warranty, representation or guarantee regarding the suitability of its products for any particular purpose, nor does ON Semiconductor assume any liability arising out of the application or use of any product or circuit, and specifically disclaims any and all liability, including without limitation special, consequential or incidental damages. ON Semiconductor does not convey any license under its patent rights nor the rights of others.

**SOIC-14**  
**CASE 751A-03**  
**ISSUE L**

DATE 03 FEB 2016

STYLE 1:  
 PIN 1. COMMON CATHODE  
 2. ANODE/CATHODE  
 3. ANODE/CATHODE  
 4. NO CONNECTION  
 5. ANODE/CATHODE  
 6. NO CONNECTION  
 7. ANODE/CATHODE  
 8. ANODE/CATHODE  
 9. ANODE/CATHODE  
 10. NO CONNECTION  
 11. ANODE/CATHODE  
 12. ANODE/CATHODE  
 13. NO CONNECTION  
 14. COMMON ANODE

STYLE 2:  
 CANCELLED

STYLE 3:  
 PIN 1. NO CONNECTION  
 2. ANODE  
 3. ANODE  
 4. NO CONNECTION  
 5. ANODE  
 6. NO CONNECTION  
 7. ANODE  
 8. ANODE  
 9. ANODE  
 10. NO CONNECTION  
 11. ANODE  
 12. ANODE  
 13. NO CONNECTION  
 14. COMMON CATHODE

STYLE 4:  
 PIN 1. NO CONNECTION  
 2. CATHODE  
 3. CATHODE  
 4. NO CONNECTION  
 5. CATHODE  
 6. NO CONNECTION  
 7. CATHODE  
 8. CATHODE  
 9. CATHODE  
 10. NO CONNECTION  
 11. CATHODE  
 12. CATHODE  
 13. NO CONNECTION  
 14. COMMON ANODE

STYLE 5:  
 PIN 1. COMMON CATHODE  
 2. ANODE/CATHODE  
 3. ANODE/CATHODE  
 4. ANODE/CATHODE  
 5. ANODE/CATHODE  
 6. NO CONNECTION  
 7. COMMON ANODE  
 8. COMMON CATHODE  
 9. ANODE/CATHODE  
 10. ANODE/CATHODE  
 11. ANODE/CATHODE  
 12. ANODE/CATHODE  
 13. NO CONNECTION  
 14. COMMON ANODE

STYLE 6:  
 PIN 1. CATHODE  
 2. CATHODE  
 3. CATHODE  
 4. CATHODE  
 5. CATHODE  
 6. CATHODE  
 7. CATHODE  
 8. ANODE  
 9. ANODE  
 10. ANODE  
 11. ANODE  
 12. ANODE  
 13. ANODE  
 14. ANODE

STYLE 7:  
 PIN 1. ANODE/CATHODE  
 2. COMMON ANODE  
 3. COMMON CATHODE  
 4. ANODE/CATHODE  
 5. ANODE/CATHODE  
 6. ANODE/CATHODE  
 7. ANODE/CATHODE  
 8. ANODE/CATHODE  
 9. ANODE/CATHODE  
 10. ANODE/CATHODE  
 11. COMMON CATHODE  
 12. COMMON ANODE  
 13. ANODE/CATHODE  
 14. ANODE/CATHODE

STYLE 8:  
 PIN 1. COMMON CATHODE  
 2. ANODE/CATHODE  
 3. ANODE/CATHODE  
 4. NO CONNECTION  
 5. ANODE/CATHODE  
 6. ANODE/CATHODE  
 7. COMMON ANODE  
 8. COMMON ANODE  
 9. ANODE/CATHODE  
 10. ANODE/CATHODE  
 11. NO CONNECTION  
 12. ANODE/CATHODE  
 13. ANODE/CATHODE  
 14. COMMON CATHODE

|                         |                    |   |
|-------------------------|--------------------|---|
| <b>DOCUMENT NUMBER:</b> | <b>98ASB42565B</b> | Electronic versions are uncontrolled except when accessed directly from the Document Repository.<br>Printed versions are uncontrolled except when stamped "CONTROLLED COPY" in red. |
| <b>DESCRIPTION:</b>     | <b>SOIC-14 NB</b>  | <b>PAGE 2 OF 2</b>  |

ON Semiconductor and  are trademarks of Semiconductor Components Industries, LLC dba ON Semiconductor or its subsidiaries in the United States and/or other countries. ON Semiconductor reserves the right to make changes without further notice to any products herein. ON Semiconductor makes no warranty, representation or guarantee regarding the suitability of its products for any particular purpose, nor does ON Semiconductor assume any liability arising out of the application or use of any product or circuit, and specifically disclaims any and all liability, including without limitation special, consequential or incidental damages. ON Semiconductor does not convey any license under its patent rights nor the rights of others.

# MECHANICAL CASE OUTLINE PACKAGE DIMENSIONS

ON Semiconductor®



**TSSOP-14 WB**  
CASE 948G  
ISSUE C

DATE 17 FEB 2016

SCALE 2:1



**NOTES:**

- DIMENSIONING AND TOLERANCING PER ANSI Y14.5M, 1982.
- CONTROLLING DIMENSION: MILLIMETER.
- DIMENSION A DOES NOT INCLUDE MOLD FLASH, PROTRUSIONS OR GATE BURRS. MOLD FLASH OR GATE BURRS SHALL NOT EXCEED 0.15 (0.006) PER SIDE.
- DIMENSION B DOES NOT INCLUDE INTERLEAD FLASH OR PROTRUSION. INTERLEAD FLASH OR PROTRUSION SHALL NOT EXCEED 0.25 (0.010) PER SIDE.
- DIMENSION K DOES NOT INCLUDE DAMBAR PROTRUSION. ALLOWABLE DAMBAR PROTRUSION SHALL BE 0.08 (0.003) TOTAL IN EXCESS OF THE K DIMENSION AT MAXIMUM MATERIAL CONDITION.
- TERMINAL NUMBERS ARE SHOWN FOR REFERENCE ONLY.
- DIMENSION A AND B ARE TO BE DETERMINED AT DATUM PLANE -W-.

| DIM | MILLIMETERS |      | INCHES    |       |
|-----|-------------|------|-----------|-------|
|     | MIN         | MAX  | MIN       | MAX   |
| A   | 4.90        | 5.10 | 0.193     | 0.200 |
| B   | 4.30        | 4.50 | 0.169     | 0.177 |
| C   | ---         | 1.20 | ---       | 0.047 |
| D   | 0.05        | 0.15 | 0.002     | 0.006 |
| F   | 0.50        | 0.75 | 0.020     | 0.030 |
| G   | 0.65 BSC    |      | 0.026 BSC |       |
| H   | 0.50        | 0.60 | 0.020     | 0.024 |
| J   | 0.09        | 0.20 | 0.004     | 0.008 |
| J1  | 0.09        | 0.16 | 0.004     | 0.006 |
| K   | 0.19        | 0.30 | 0.007     | 0.012 |
| K1  | 0.19        | 0.25 | 0.007     | 0.010 |
| L   | 6.40 BSC    |      | 0.252 BSC |       |
| M   | 0°          | 8°   | 0°        | 8°    |

**GENERIC MARKING DIAGRAM\***



- A = Assembly Location
- L = Wafer Lot
- Y = Year
- W = Work Week
- = Pb-Free Package

(Note: Microdot may be in either location)

\*This information is generic. Please refer to device data sheet for actual part marking. Pb-Free indicator, "G" or microdot "▪", may or may not be present.

**SOLDERING FOOTPRINT**



|                         |                    |  |
|-------------------------|--------------------|--|
| <b>DOCUMENT NUMBER:</b> | <b>98ASH70246A</b> | Electronic versions are uncontrolled except when accessed directly from the Document Repository. Printed versions are uncontrolled except when stamped "CONTROLLED COPY" in red. |
| <b>DESCRIPTION:</b>     | <b>TSSOP-14 WB</b> | <b>PAGE 1 OF 1</b>   |

ON Semiconductor and ON are trademarks of Semiconductor Components Industries, LLC dba ON Semiconductor or its subsidiaries in the United States and/or other countries. ON Semiconductor reserves the right to make changes without further notice to any products herein. ON Semiconductor makes no warranty, representation or guarantee regarding the suitability of its products for any particular purpose, nor does ON Semiconductor assume any liability arising out of the application or use of any product or circuit, and specifically disclaims any and all liability, including without limitation special, consequential or incidental damages. ON Semiconductor does not convey any license under its patent rights nor the rights of others.



ON Semiconductor and  are trademarks of Semiconductor Components Industries, LLC dba ON Semiconductor or its subsidiaries in the United States and/or other countries. ON Semiconductor owns the rights to a number of patents, trademarks, copyrights, trade secrets, and other intellectual property. A listing of ON Semiconductor's product/patent coverage may be accessed at [www.onsemi.com/site/pdf/Patent-Marking.pdf](http://www.onsemi.com/site/pdf/Patent-Marking.pdf). ON Semiconductor reserves the right to make changes without further notice to any products herein. ON Semiconductor makes no warranty, representation or guarantee regarding the suitability of its products for any particular purpose, nor does ON Semiconductor assume any liability arising out of the application or use of any product or circuit, and specifically disclaims any and all liability, including without limitation special, consequential or incidental damages. Buyer is responsible for its products and applications using ON Semiconductor products, including compliance with all laws, regulations and safety requirements or standards, regardless of any support or applications information provided by ON Semiconductor. "Typical" parameters which may be provided in ON Semiconductor data sheets and/or specifications can and do vary in different applications and actual performance may vary over time. All operating parameters, including "Typicals" must be validated for each customer application by customer's technical experts. ON Semiconductor does not convey any license under its patent rights nor the rights of others. ON Semiconductor products are not designed, intended, or authorized for use as a critical component in life support systems or any FDA Class 3 medical devices or medical devices with a same or similar classification in a foreign jurisdiction or any devices intended for implantation in the human body. Should Buyer purchase or use ON Semiconductor products for any such unintended or unauthorized application, Buyer shall indemnify and hold ON Semiconductor and its officers, employees, subsidiaries, affiliates, and distributors harmless against all claims, costs, damages, and expenses, and reasonable attorney fees arising out of, directly or indirectly, any claim of personal injury or death associated with such unintended or unauthorized use, even if such claim alleges that ON Semiconductor was negligent regarding the design or manufacture of the part. ON Semiconductor is an Equal Opportunity/Affirmative Action Employer. This literature is subject to all applicable copyright laws and is not for resale in any manner.

## PUBLICATION ORDERING INFORMATION

### LITERATURE FULFILLMENT:

Email Requests to: [orderlit@onsemi.com](mailto:orderlit@onsemi.com)

ON Semiconductor Website: [www.onsemi.com](http://www.onsemi.com)

### TECHNICAL SUPPORT

North American Technical Support:  
Voice Mail: 1 800-282-9855 Toll Free USA/Canada  
Phone: 011 421 33 790 2910

Europe, Middle East and Africa Technical Support:

Phone: 00421 33 790 2910

For additional information, please contact your local Sales Representative

## X-ON Electronics

Largest Supplier of Electrical and Electronic Components

*Click to view similar products for [Operational Amplifiers - Op Amps](#) category:*

*Click to view products by [ON Semiconductor](#) manufacturer:*

Other Similar products are found below :

[OPA2991IDSGR](#) [OPA607IDCKT](#) [007614D](#) [633773R](#) [635798C](#) [635801A](#) [702115D](#) [709228FB](#) [741528D](#) [NCV33072ADR2G](#)  
[SC2903VDR2G](#) [LM258AYDT](#) [LM358SNG](#) [430227FB](#) [430228DB](#) [460932C](#) [AZV831KTR-G1](#) [409256CB](#) [430232AB](#) [LM2904DR2GH](#)  
[LM358YDT](#) [LT1678IS8](#) [042225DB](#) [058184EB](#) [070530X](#) [SC2902DG](#) [714228XB](#) [714846BB](#) [873836HB](#) [MIC918YC5-TR](#) [TS912BIYDT](#)  
[NCS2004MUTAG](#) [NCV33202DMR2G](#) [M38510/13101BPA](#) [NTE925](#) [SC2904DR2G](#) [SC358DR2G](#) [LM358EDR2G](#) [AZV358MTR-G1](#)  
[AP4310AUMTR-AG1](#) [HA1630D02MMEL-E](#) [NJM358CG-TE2](#) [HA1630S01LPEL-E](#) [LM324AWPT](#) [HA1630Q06TELL-E](#) [NJM4558CG-TE2](#)  
[AZV358MMTR-G1](#) [SCY33178DR2G](#) [NCS4325DR2G](#) [LM7301SN1T1G](#)