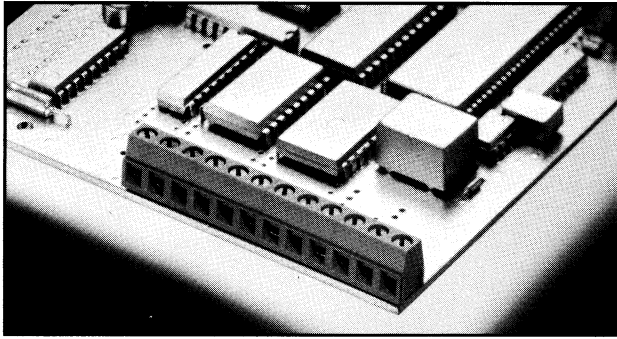


# EDZ 250



Spacing 5.08 mm  
insert required no. of poles \*\*  
How to order see page 6

**Ratings:**

\*Approvals pending

	UL1059	CSA 22.2 No. 158	EN 60998
<b>Rated Voltage</b>	250 VB	300 VB	250 V
<b>Rated Current</b>	16 A	16 A	17.5 A (T60)
<b>Wire Size</b>	AWG 28-14	AWG 28-14	1.5 mm <sup>2</sup>
<b>Test Voltage</b>			2.0 kV
<b>Rated Torque/Screw Size</b>			0.5 Nm/M3

**Rated Cross Section**

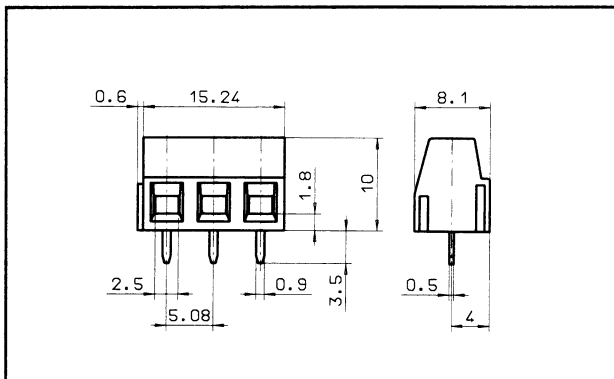
Single Wire (solid)	1.5 mm <sup>2</sup>
Stranded Wire (flexible)	1.5 mm <sup>2</sup>
Stranded wire with Ferrules	1.5 mm <sup>2</sup>

**Dimensions**

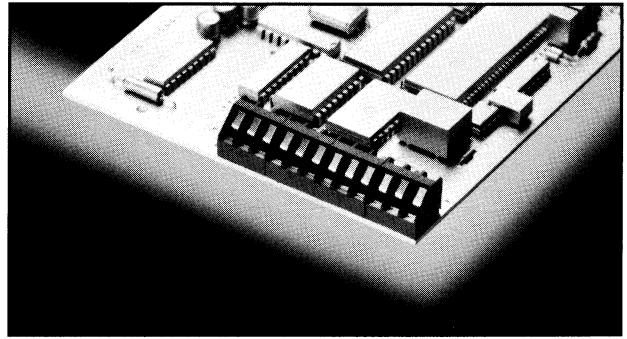
Spacing	5.08 mm
PCB Hole Diameter	1.3 mm
Stripped Length	6.0 mm

**Materials**

Insulating Material	PA
Flammability Class	UL94 V-0
Temperature Range	-30°C/+105°C
Terminal Block	CuZn
Wire Guard	Cu
Color	Green



# ED 300



Spacing 5.0 mm  
insert required no. of poles \*\*  
How to order see page 6

**Ratings:**

\*Approvals pending

	UL1059	CSA 22.2 No. 158	EN 60998
<b>Rated Voltage</b>	250 VB	300 VB	250 V
<b>Rated Current</b>	15 A	20 A	24 A (T60)
<b>Wire Size</b>	AWG 22-12	AWG 22-12	2.5 mm <sup>2</sup>
<b>Test Voltage</b>			2.0 kV
<b>Rated Torque/Screw Size</b>			0.5 Nm/M2.6

**Rated Cross Section**

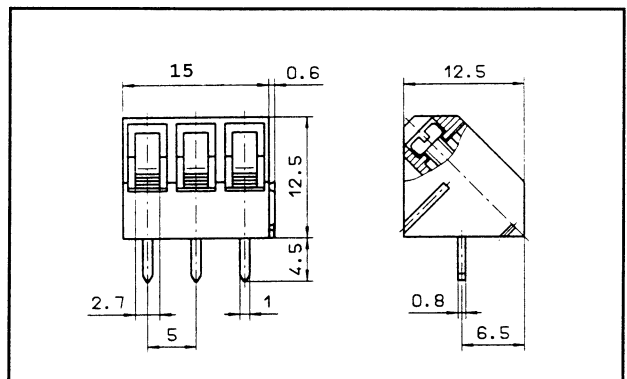
Single Wire (solid)	2.5 mm <sup>2</sup>
Stranded Wire (flexible)	1.5 mm <sup>2</sup>
Stranded wire with Ferrules	1.5 mm <sup>2</sup>

**Dimensions**

Spacing	5.0 mm
PCB Hole Diameter	1.3 mm
Stripped Length	7.0 mm

**Materials**

Insulating Material	PA
Flammability Class	UL94 V-0
Temperature Range	-30°C/+105°C
Terminal Block	CuZn
Wire Guard	Cu
Color	Blue



## X-ON Electronics

Largest Supplier of Electrical and Electronic Components

*Click to view similar products for [Fixed Terminal Blocks](#) category:*

*Click to view products by [On-Shore manufacturer](#):*

Other Similar products are found below :

[MBE-1512](#) [MBE-1520](#) [MBE-154](#) [MBE-156](#) [MBES-156](#) [MH-2512](#) [MHE-132](#) [MHE-163](#) [MI-254 \(35\)](#) [MPT-275](#) [ELM10110G](#) [BA311TU](#)  
[BA411SU](#) [MV-254-D](#) [MV-255](#) [MV-493](#) [MVE-252](#) [MVE-253](#) [MVEB-153](#) [1705142](#) [1-796689-8](#) [1841320000](#) [S451](#) [29.007](#) [29.116](#) [30.204](#)  
[30.503](#) [30.756](#) [30.853](#) [9872-0-00-15-00-00-33-0](#) [996750](#) [1710052](#) [20020316-G071B01LF](#) [20020327-C061B01LF](#) [29590](#) [30.652](#) [30.710](#)  
[30.754](#) [30.757](#) [32.058](#) [37.206](#) [37.208](#) [37.507](#) [37.558](#) [38331-5812](#) [38331-8018](#) [38540-1910](#) [39.002](#) [MBE-1517](#) [MBE-153](#)