

Type ACB-12-N / ACB-24-N

Auto Reset Circuit Breaker

Automotive Type I

Metal Without Bracket



www.optifuse.com (619) 593-5050

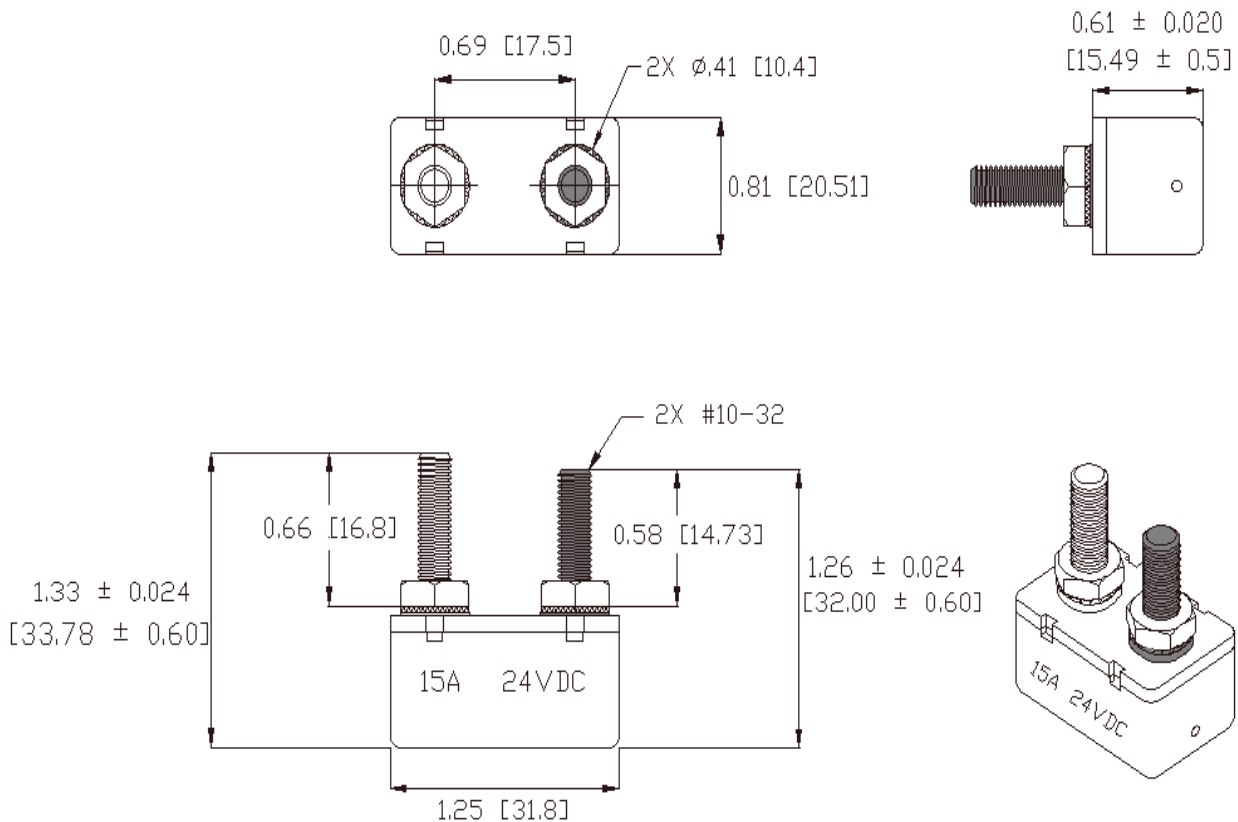
Specifications:


- Auto Reset Type Circuit Breaker
- Voltage: 12V or 24V
- Amperage: 10A, 15A, 20A, 25A, 30A, 35A, 40A, 50A
- Terminals: Battery – Copper Plate (0.58”), Auxiliary – Zinc Plate (0.66”)
- Conforms to American National Standard SAE J553
- Body: Steel Case
- Operating Temperature: -10° F ~ 150° F
- Storage Temperature: -20° F ~ 200° F

Current Rating:

Rating	Open Time
100% ± 1.5%	> 30 Min
135% ± 1.5%	< 30 Min
200% ± 1.5%	< 1 Min

Mechanical Dimensions: Inches [mm]



	<p>Warning:</p> <ul style="list-style-type: none"> -Operation beyond the specified maximum ratings or improper use may result in damage and possible electrical arcing and/or flame. -Device are intended for occasional overcurrent protection. Application for repeated overcurrent condition and/or prolonged trip are not anticipated. -Avoid contact of device with chemical solvent. Prolonged contact will damage the device performance.
---	--

X-ON Electronics

Largest Supplier of Electrical and Electronic Components

Click to view similar products for [Automotive Fuses](#) category:

Click to view products by [Optifuse](#) manufacturer:

Other Similar products are found below :

[HBO-10](#) [HBO-100](#) [HBO-150](#) [HBO-40](#) [HBO-50](#) [AFX-150](#) [AT-10](#) [AT-30](#) [AT-5](#) [ATM-10ID](#) [ATM-4LP](#) [ACL-50](#) [AFX-50](#) [299080](#) [HBO-15](#)
[AT-20](#) [AT-3](#) [0287015](#) [142.7010.5502](#) [FMM-15](#) [0MIN015.HXGLO](#) [2010T1.25A250V](#) [0695030.PXPS](#) [0695040.PXPS](#) [0297003.WXT](#)
[0MIN025.HXGLO](#) [0MIN030.HXGLO](#) [0695025.PXPS](#) [0695015.PXPS](#) [0695050.PXPS](#) [0695060.PXPS](#) [MRBF-075](#) [02400106P](#)
[0297002.WXT](#) [0297004.WXT](#) [0297010.WXT](#) [0297015.WXT](#) [0297020.WXT](#) [0297025.WXT](#) [0297030.WXT](#) [029707.5WXT](#) [0602925](#)
[0602930](#) [0602935](#) [0602940](#) [0602950](#) [0602960](#) [0611100](#) [0611125](#) [0611150](#)