

# Type ACBM-2PX Auto Reset Circuit Breaker Automotive Type I Maxi Automotive Blade Type



www.optifuse.com (619) 593-5050

**Applications:**

Battery charges, trucks, busses, RV's, trolling motors, etc.

**Specifications:**

**Circuit Breaker Type** – Maxi Auto Blade Type, Auto Reset (Type I)

**Voltage:** 28 VDC

**Amperage:** 6A, 8A, 10A, 15A, 20A, 25A, 30A, 35A, 40A, 50A

**Body:** Grey Thermoplastic UL-Rated 94-V0

**Terminals:** Brass tin-plated

**Operating Temperature:** -40° F (-29° C) ~ 185° F (85° C)

**Storage Temperature:** -40° F (-29° C) ~ 260° F (125° C)

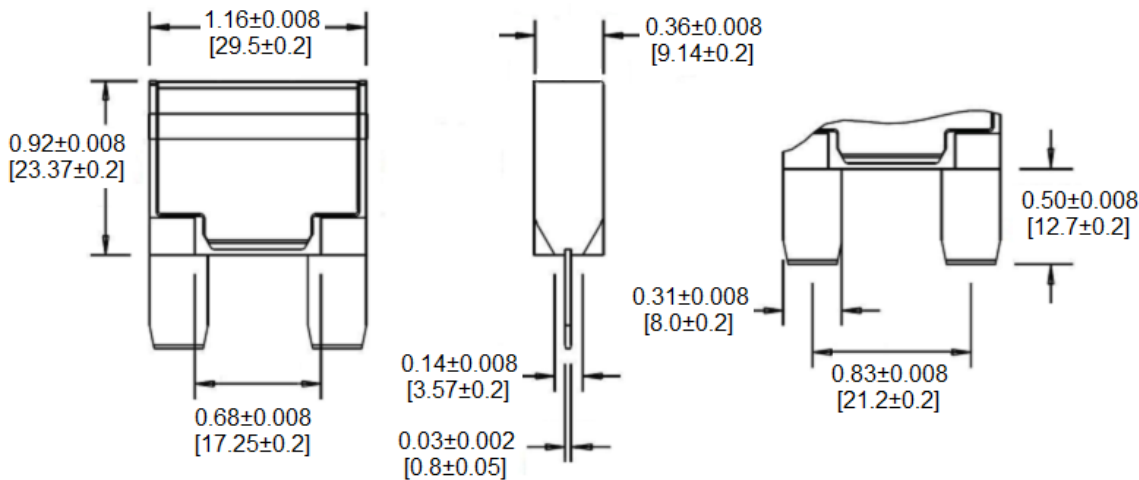
**Interrupt Rating:**

- 100A @ 28 VDC (6A ~ 10A)
- 150A @ 28 VDC (15A)
- 200A @ 28 VDC (20A)
- 300A @ 28 VDC (25A ~ 30A)
- 400A @ 28 VDC (35A ~ 40A)
- 500A @ 28 VDC (50A)

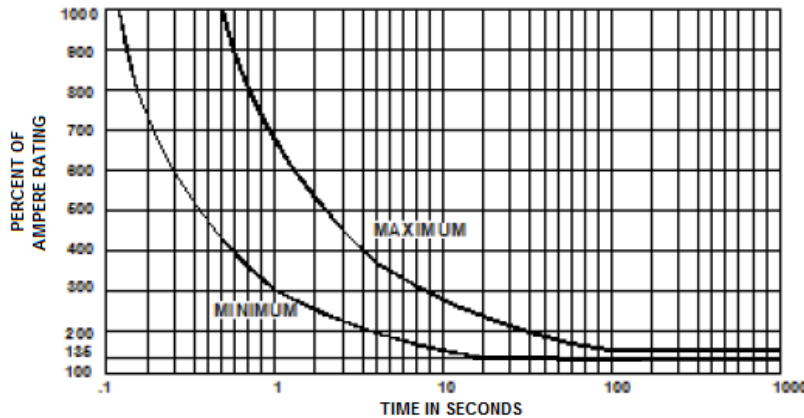
**Agency Standards and Listings:**

Conforms to SAE J553 (Type II) standard

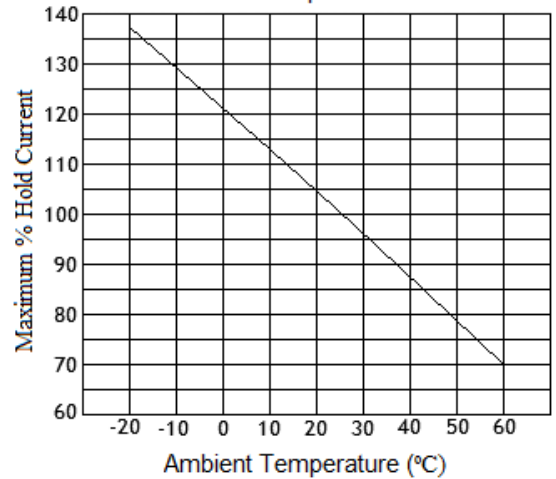
**Mechanical Dimensions: Inches [mm]:**



Time Current Curve



Ambient Compensation Chart



**Warning:**



- Operation beyond the specified maximum ratings or improper use may result in damage and possible electrical arcing and/or flame.
- Device are intended for occasional overcurrent protection. Application for repeated overcurrent condition and/or prolonged trip are not anticipated.
- Avoid contact of device with chemical solvent. Prolonged contact will damage the device performance.

Note: All specifications subject to change without notice.

## **X-ON Electronics**

Largest Supplier of Electrical and Electronic Components

*Click to view similar products for [Optifuse](#) manufacturer:*

Other Similar products are found below :

[ACB-12-V-30A](#) [ACB-12-V-50A](#) [ACBP4-PM-5A](#) [ANM-2A](#) [ANM-3A](#) [ANM58-1A](#) [ANR58-UL-10A](#) [ANR58-UL-20A](#) [ANR58-UL-2A](#)  
[ANR58-UL-30A](#) [ANR58-UL-3A](#) [ANR58-UL-5A](#) [ANR80-UL-40A](#) [ANR80-UL-5A](#) [APM-35A](#) [APM-5A](#) [APR-10A](#) [APR-1A](#) [APR-20A](#)  
[APR-25A](#) [APR-2A](#) [APR-30A](#) [APR-3A](#) [APR-4A](#) [APR58-UL-10A](#) [APR58-UL-15A](#) [APR58-UL-1A](#) [APR58-UL-30A](#) [APR58-UL-40A](#) [APR-](#)  
[7.5A](#) [APX-100A](#) [BLC-05-GTA](#) [BLC-09-GT](#) [BLC-20A](#) [BLC-20C](#) [BLM-304](#) [BLR-304](#) [BLR-306](#) [BLR-504](#) [BLR-I-301](#) [BLR-I-504](#)  
[CBW28-1A](#) [CBW28-2A](#) [CBW57-EL4-10A](#) [CBW57-EL4-5A](#) [CBW57-ES-10A-5H](#) [CBW57-ES-3A](#) [CBW57-ES-5A](#) [CBW57-HS-15A-5X](#)  
[CBW57-PB-10A-5X](#)