

Type ACBM-PX Auto Reset Circuit Breaker Automotive Type I Maxi Automotive Blade Type



www.optifuse.com (619) 593-5050

Applications:

Battery charges, trucks, busses, RV's, trolling motors, etc.

Specifications:

Circuit Breaker Type – Maxi Auto Blade Type, Auto Reset (Type I)

Voltage: 14 VDC

Amperage: 6A, 8A, 10A, 15A, 20A, 25A, 30A, 35A, 40A, 50A

Body: Grey Thermoplastic UL-Rated 94-V0

Terminals: Brass tin-plated

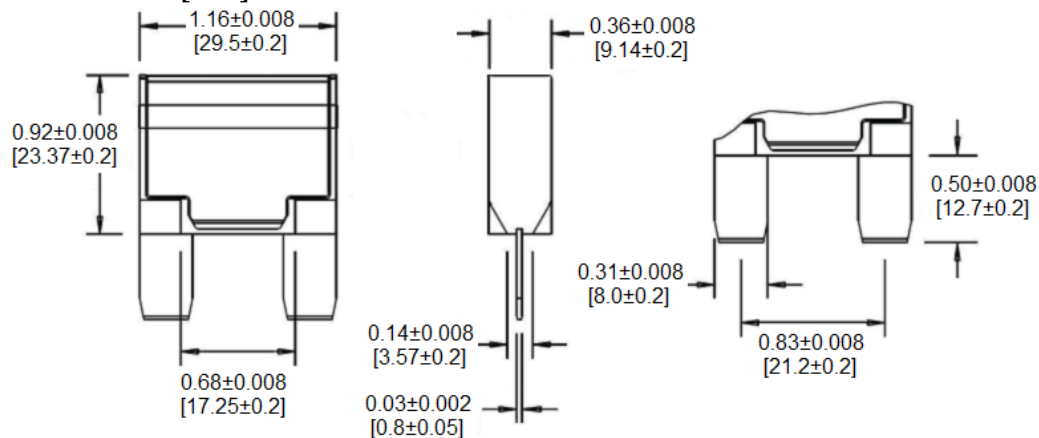
Operating Temperature: -40° F (-29° C) ~ 185° F (85° C)

Storage Temperature: -40° F (-29° C) ~ 260° F (125° C)

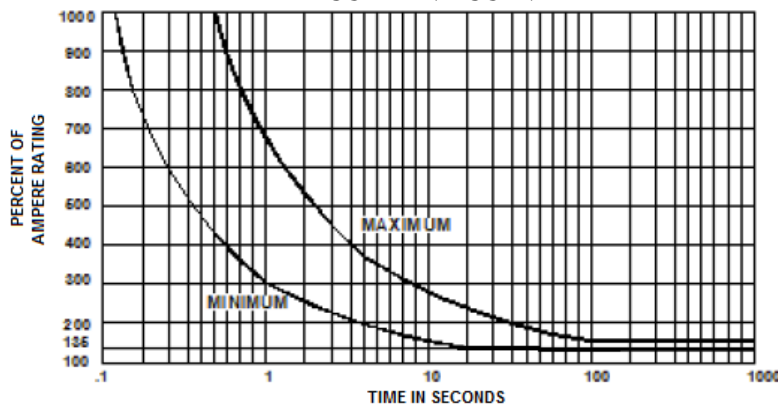
Agency Standards and Listings:

Conforms to SAE J553 (Type II) standard

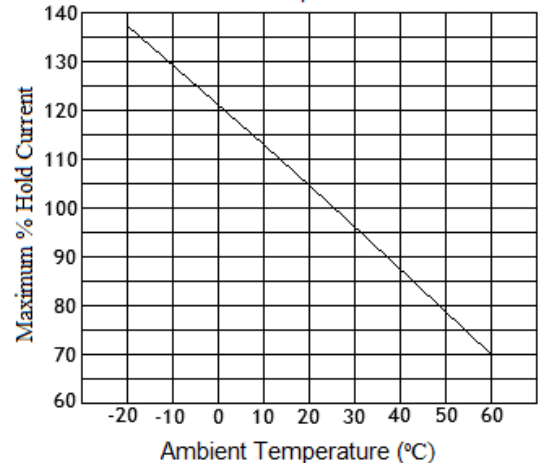
Mechanical Dimensions: Inches [mm]:



TIME CURRENT CURVE



Ambient Compensation Chart



Warning:



- Operation beyond the specified maximum ratings or improper use may result in damage and possible electrical arcing and/or flame.
- Device are intended for occasional overcurrent protection. Application for repeated overcurrent condition and/or prolonged trip are not anticipated.
- Avoid contact of device with chemical solvent. Prolonged contact will damage the device performance.

X-ON Electronics

Largest Supplier of Electrical and Electronic Components

Click to view similar products for [Optifuse](#) manufacturer:

Other Similar products are found below :

[ACB-12-V-30A](#) [ACB-12-V-50A](#) [ACBP4-PM-5A](#) [ANM-2A](#) [ANM-3A](#) [ANM58-1A](#) [ANR58-UL-10A](#) [ANR58-UL-20A](#) [ANR58-UL-2A](#)
[ANR58-UL-30A](#) [ANR58-UL-3A](#) [ANR58-UL-5A](#) [ANR80-UL-40A](#) [ANR80-UL-5A](#) [APM-35A](#) [APM-5A](#) [APR-10A](#) [APR-1A](#) [APR-20A](#)
[APR-25A](#) [APR-2A](#) [APR-30A](#) [APR-3A](#) [APR-4A](#) [APR58-UL-10A](#) [APR58-UL-15A](#) [APR58-UL-1A](#) [APR58-UL-30A](#) [APR58-UL-40A](#) [APR-](#)
[7.5A](#) [APX-100A](#) [BLC-05-GTA](#) [BLC-09-GT](#) [BLC-20A](#) [BLC-20C](#) [BLM-304](#) [BLR-304](#) [BLR-306](#) [BLR-504](#) [BLR-I-301](#) [BLR-I-504](#)
[CBW28-1A](#) [CBW28-2A](#) [CBW57-EL4-10A](#) [CBW57-EL4-5A](#) [CBW57-ES-10A-5H](#) [CBW57-ES-3A](#) [CBW57-ES-5A](#) [CBW57-HS-15A-5X](#)
[CBW57-PB-10A-5X](#)