

# Type ACBP4-PM Auto Reset Circuit Breaker Automotive Type I Standard Mini Blade



www.optifuse.com (619) 593-5050

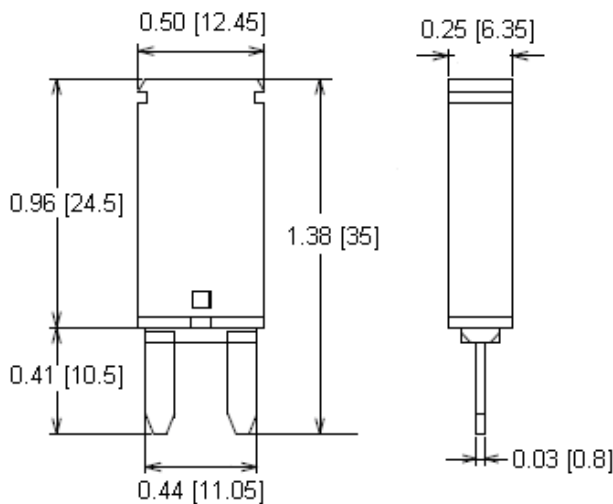
**Specifications:**

Mini Blade Automatic Reset Type Circuit Breaker  
 Voltage: 14VDC  
 Amperage: 5A, 7.5A, 10A, 15A, 20A, 25A, 30A  
 Materials: Thermoplastic – (UL Rated 94-V-0)  
 Terminals: Tin plated Copper Alloy  
 Testing Standard: SAE J553 Type I  
 Cover is color coded to Amperage Ratings  
 Operating Temperature: -40° C ~ 85° C

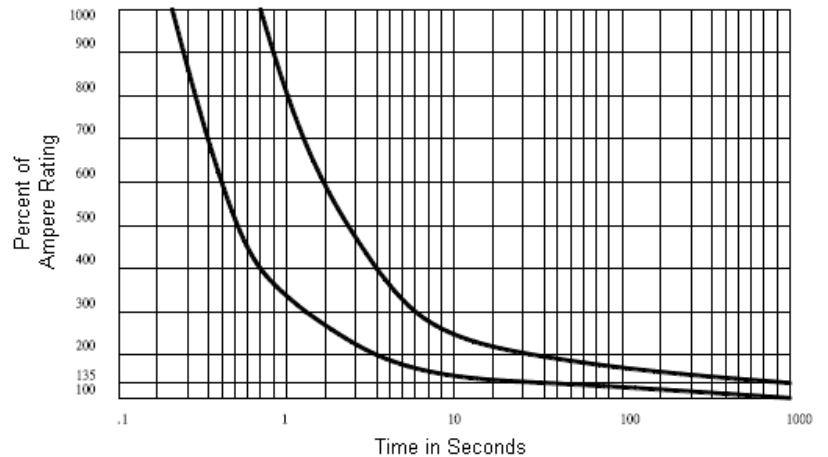
Part Number	Amperage	Body Color
ACBP4-PM-5A	5A	Tan
ACBP4-PM-7.5A	7.5A	Brown
ACBP4-PM-10A	10A	Red
ACBP4-PM-15A	15A	Blue
ACBP4-PM-20A	20A	Yellow
ACBP4-PM-25A	25A	White
ACBP4-PM-30A	30A	Green

Ampere Rated	Interrupt Rating
5A-10A version	150A @ 14 VDC
15A version	225A @ 14 VDC
20A version	300A @ 14 VDC
25A-30A version	450A @ 14 VDC

**Mechanical Dimensions: Inches [mm]**



**Part number: ACBP4-PM  
Time Current Curves**



<p><b>Warning:</b></p>	<ul style="list-style-type: none"> <li>-Operation beyond the specified maximum ratings or improper use may result in damage and possible electrical arcing and/or flame.</li> <li>-Device are intended for occasional overcurrent protection. Application for repeated overcurrent condition and/or prolonged trip are not anticipated.</li> <li>-Avoid contact of device with chemical solvent. Prolonged contact will damage the device performance.</li> <li>-Not intended for submersible water applications.</li> </ul>
------------------------	--

## **X-ON Electronics**

Largest Supplier of Electrical and Electronic Components

*Click to view similar products for [Optifuse](#) manufacturer:*

Other Similar products are found below :

[ACB-12-V-30A](#) [ACB-12-V-50A](#) [ACBP4-PM-5A](#) [ANM-2A](#) [ANM-3A](#) [ANM58-1A](#) [ANR58-UL-10A](#) [ANR58-UL-20A](#) [ANR58-UL-2A](#)  
[ANR58-UL-30A](#) [ANR58-UL-3A](#) [ANR58-UL-5A](#) [ANR80-UL-40A](#) [ANR80-UL-5A](#) [APM-35A](#) [APM-5A](#) [APR-10A](#) [APR-1A](#) [APR-20A](#)  
[APR-25A](#) [APR-2A](#) [APR-30A](#) [APR-3A](#) [APR-4A](#) [APR58-UL-10A](#) [APR58-UL-15A](#) [APR58-UL-1A](#) [APR58-UL-30A](#) [APR58-UL-40A](#) [APR-](#)  
[7.5A](#) [APX-100A](#) [BLC-05-GTA](#) [BLC-09-GT](#) [BLC-20A](#) [BLC-20C](#) [BLM-304](#) [BLR-304](#) [BLR-306](#) [BLR-504](#) [BLR-I-301](#) [BLR-I-504](#)  
[CBW28-1A](#) [CBW28-2A](#) [CBW57-EL4-10A](#) [CBW57-EL4-5A](#) [CBW57-ES-10A-5H](#) [CBW57-ES-3A](#) [CBW57-ES-5A](#) [CBW57-HS-15A-5X](#)  
[CBW57-PB-10A-5X](#)